



US00D900946S

(12) **United States Design Patent** (10) **Patent No.:** **US D900,946 S**
Muir (45) **Date of Patent:** **** Nov. 3, 2020**

- (54) **BARBELL COLLAR**
- (71) Applicant: **Next Distributions, Inc.**, Draper, UT (US)
- (72) Inventor: **Patrick Muir**, Draper, UT (US)
- (73) Assignee: **Next Distributions Inc.**, Draper, UT (US)
- (**) Term: **15 Years**
- (21) Appl. No.: **29/685,082**
- (22) Filed: **Mar. 26, 2019**
- (51) **LOC (12) Cl.** **21-02**
- (52) **U.S. Cl.**
USPC **D21/694**
- (58) **Field of Classification Search**
USPC D6/382; D8/354, 382, 383, 394, 396;
D13/152, 153, 154; D21/694, 839;
D23/262, 265
CPC B65D 63/16; F16B 5/0216; F16B 2200/40;
F16B 7/1418; A61B 2017/2946
See application file for complete search history.

9,764,183	B2 *	9/2017	Roepke	A63B 21/0728
D855,920	S *	8/2019	Schenone	D34/12
D861,473	S *	10/2019	Yesavage	D8/396
D865,881	S *	11/2019	Muir	D21/694
D876,944	S *	3/2020	Fleck	D8/396

* cited by examiner

Primary Examiner — Cynthia Ramirez
Assistant Examiner — Michael A Maharajh
 (74) *Attorney, Agent, or Firm* — D. Jeremy Harrison;
 Vorys, Sater, Seymour and Pease LLP

(57) **CLAIM**

The ornamental design for a barbell collar, as shown and described.

DESCRIPTION

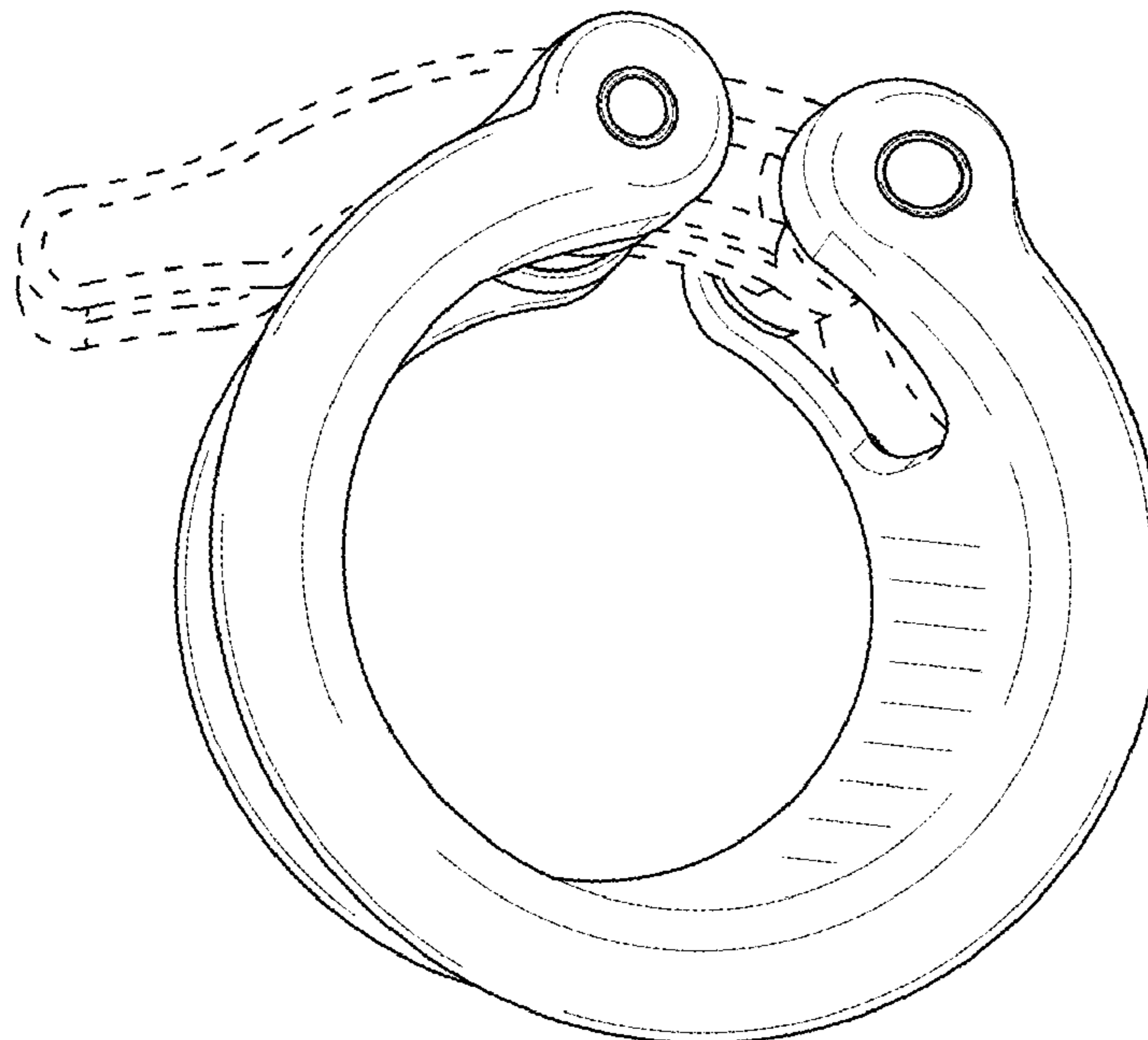
FIG. 1 is a perspective view of a barbell collar, showing my new design;
 FIG. 2 is another perspective view thereof;
 FIG. 3 is another perspective view shown in a condition of use thereof;
 FIG. 4 is another perspective view shown in a condition of use thereof;
 FIG. 5 is another perspective view shown at an enlarged scale thereof;
 FIG. 6 is another perspective view shown at an enlarged scale thereof;
 FIG. 7 is a front view thereof;
 FIG. 8 is a back view thereof;
 FIG. 9 is a top view thereof;
 FIG. 10 is a bottom view thereof;
 FIG. 11 is a side view thereof; and,
 FIG. 12 is another side view thereof.
 The broken lines shown in the figures are for the purpose of illustrating environmental structure and portions of the barbell collar that form no part of the claimed design.

(56) **References Cited**

U.S. PATENT DOCUMENTS

D441,849	S *	5/2001	Plewa vom Berg	D23/265
D582,230	S *	12/2008	Lin	D8/29
D584,604	S *	1/2009	Baldwin	D8/396
D711,730	S *	8/2014	McKiernan	D8/396
D712,730	S *	9/2014	Gridley	D8/396
D735,025	S *	7/2015	Mathien	D8/396
D764,608	S *	8/2016	Jones	D21/694
D766,384	S *	9/2016	Jones	D21/694
D780,859	S *	3/2017	Ramsey	D21/694
D780,860	S *	3/2017	Jones	D21/694
D780,861	S *	3/2017	Jones	D21/694

1 Claim, 10 Drawing Sheets



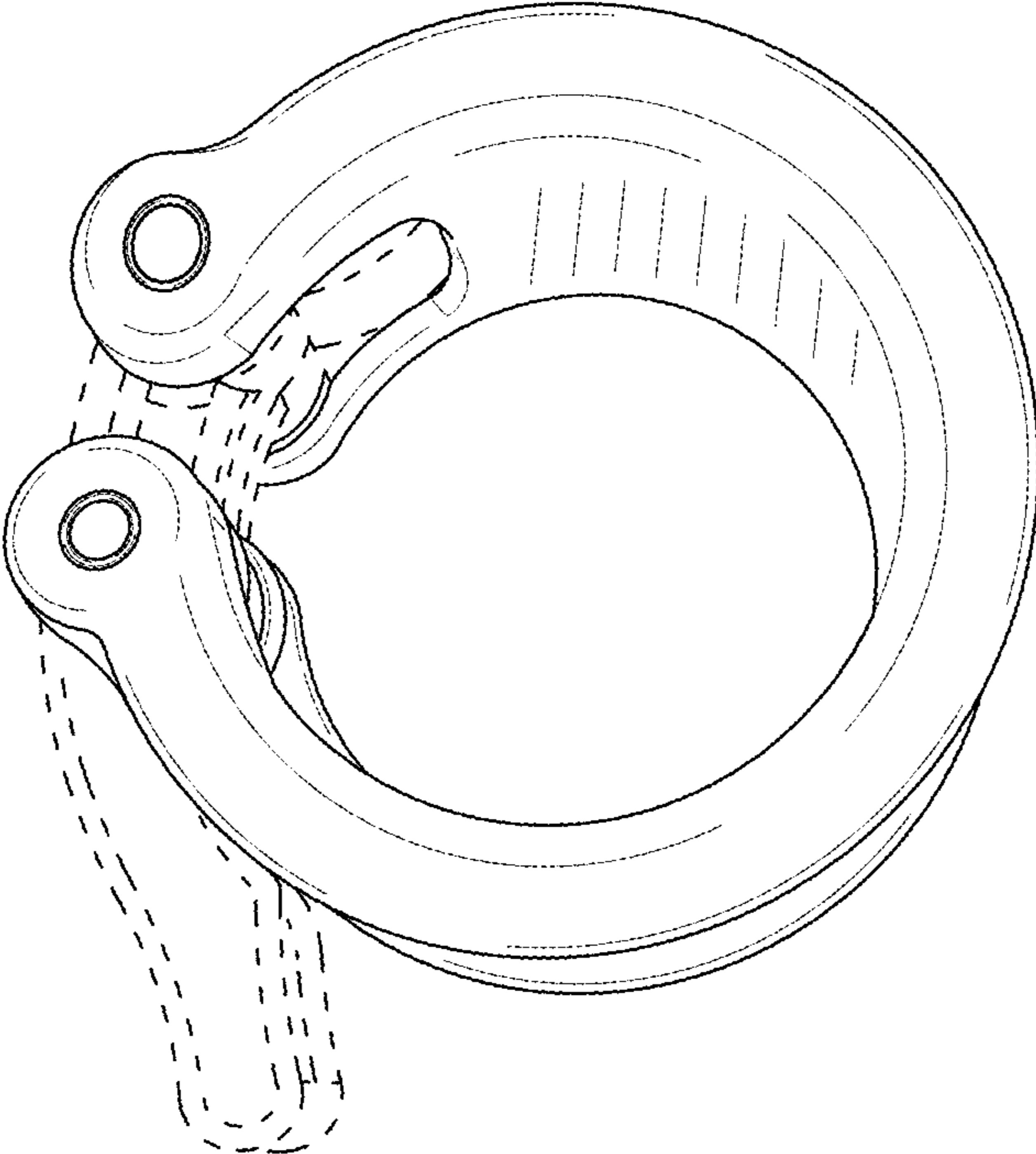


FIG. 1

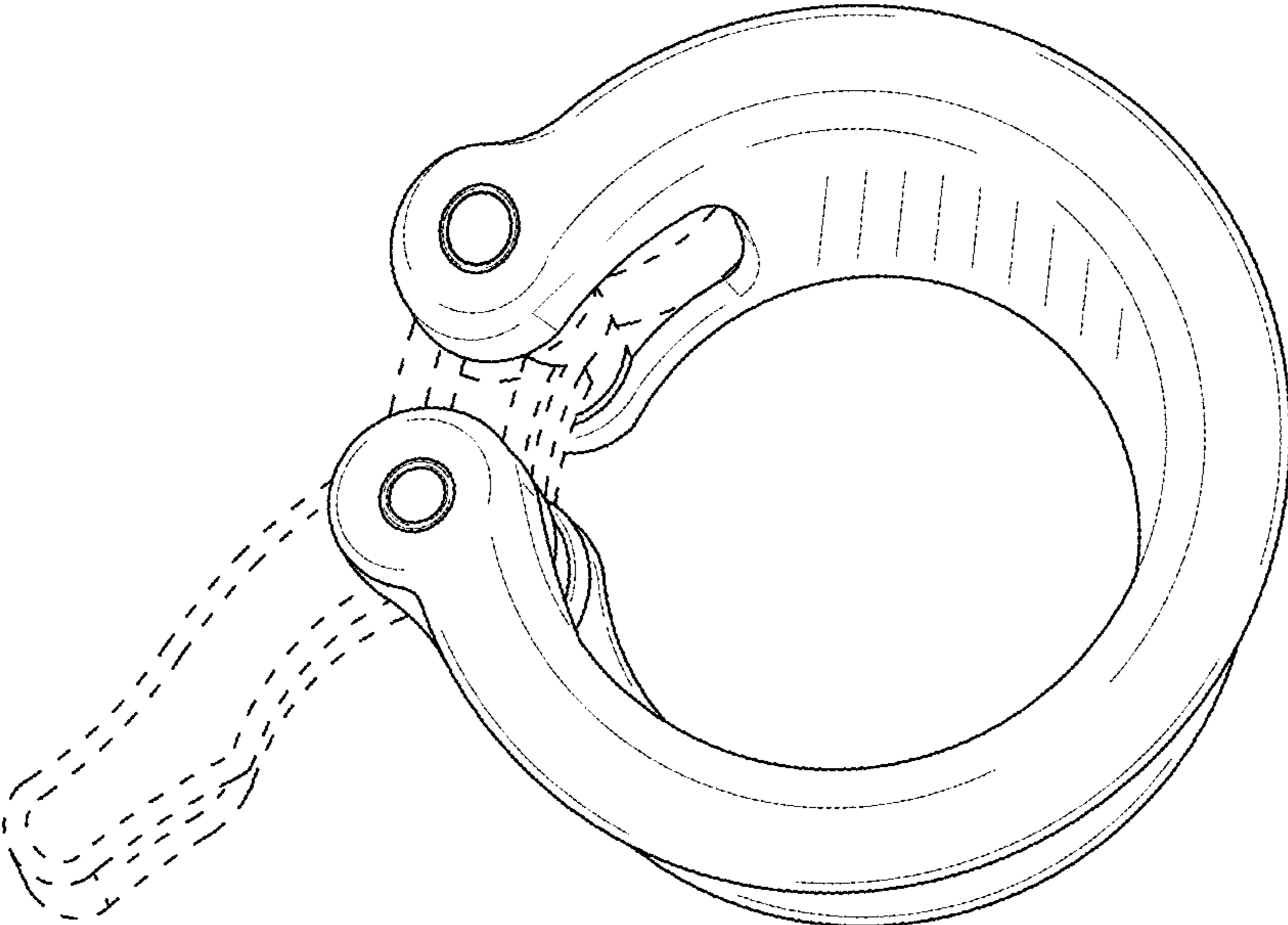


FIG. 2

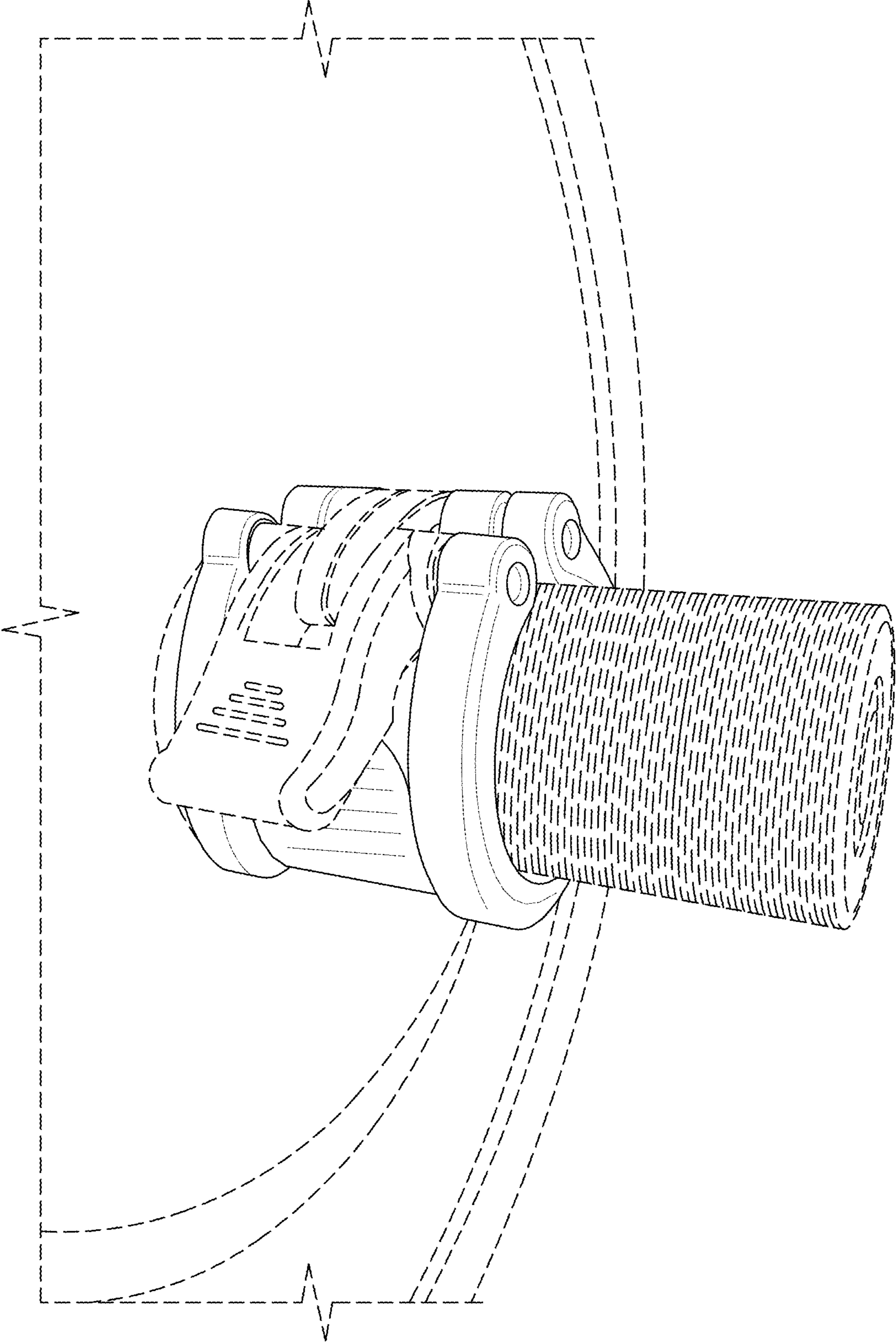


FIG. 3

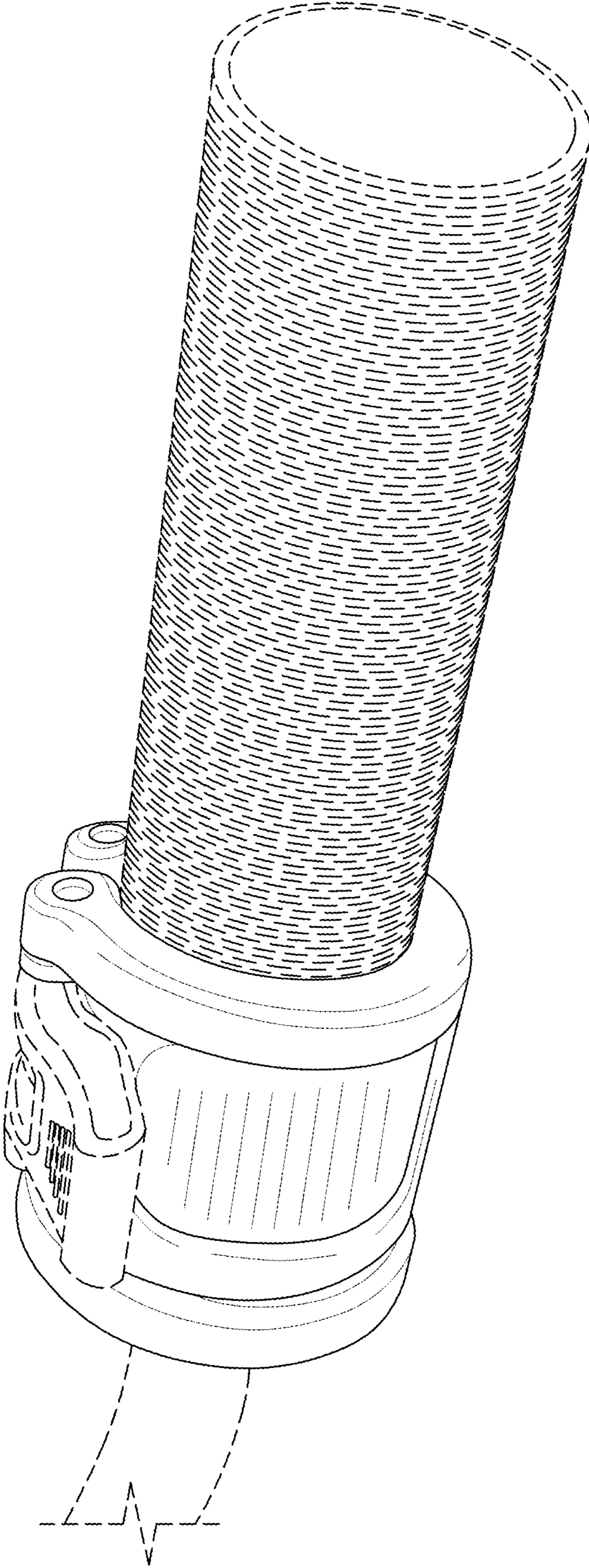


FIG. 4

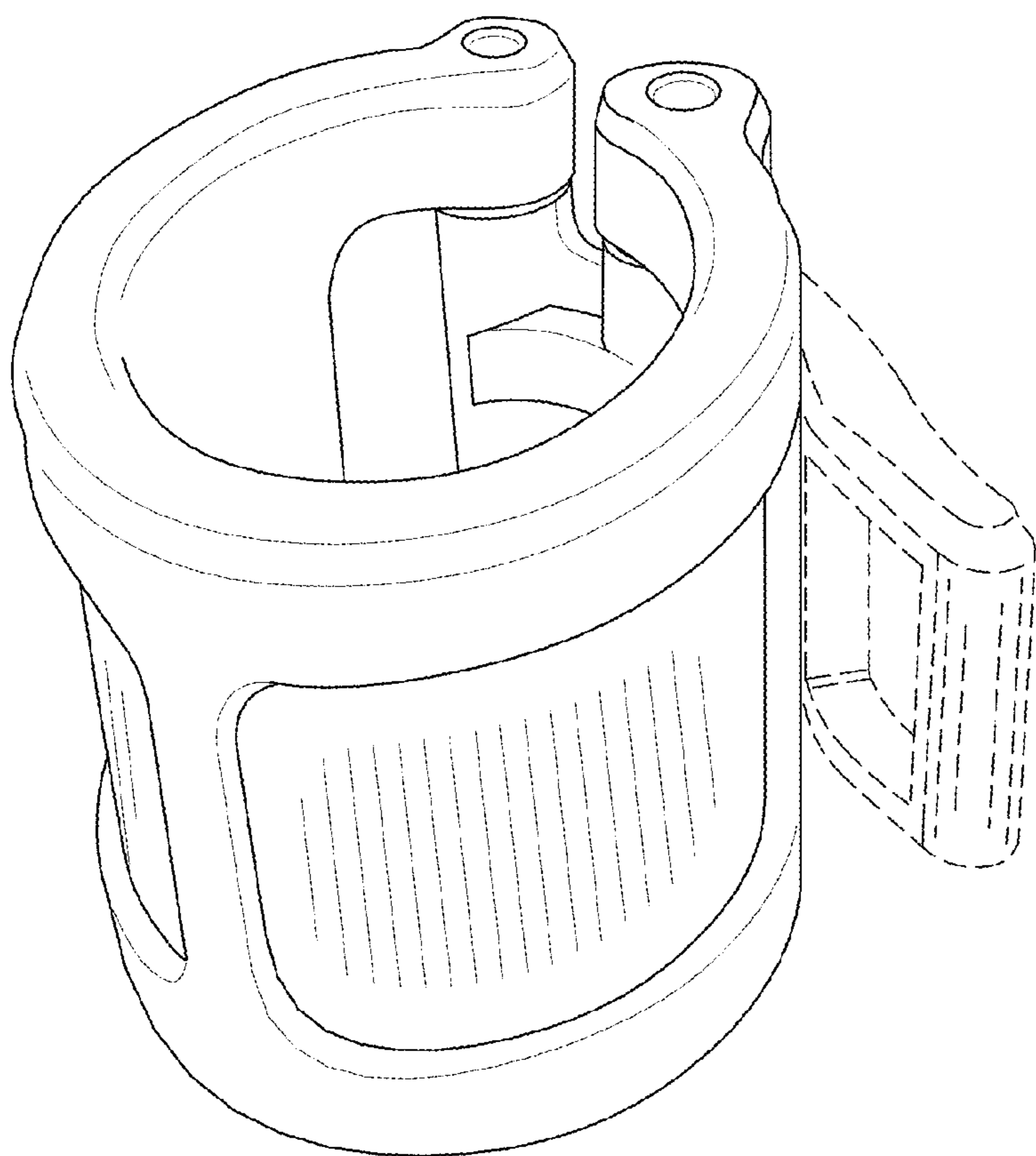


FIG. 5

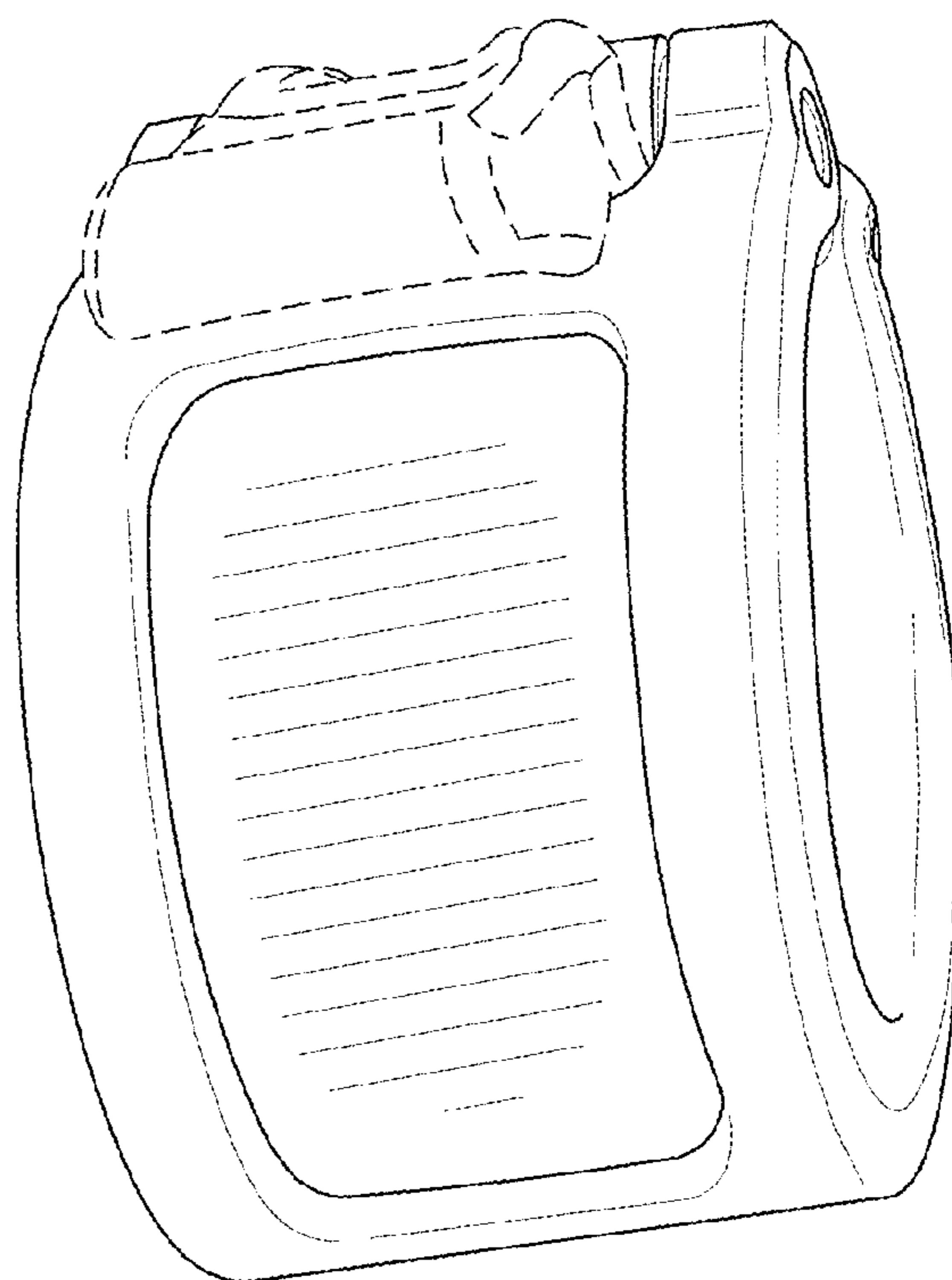


FIG. 6

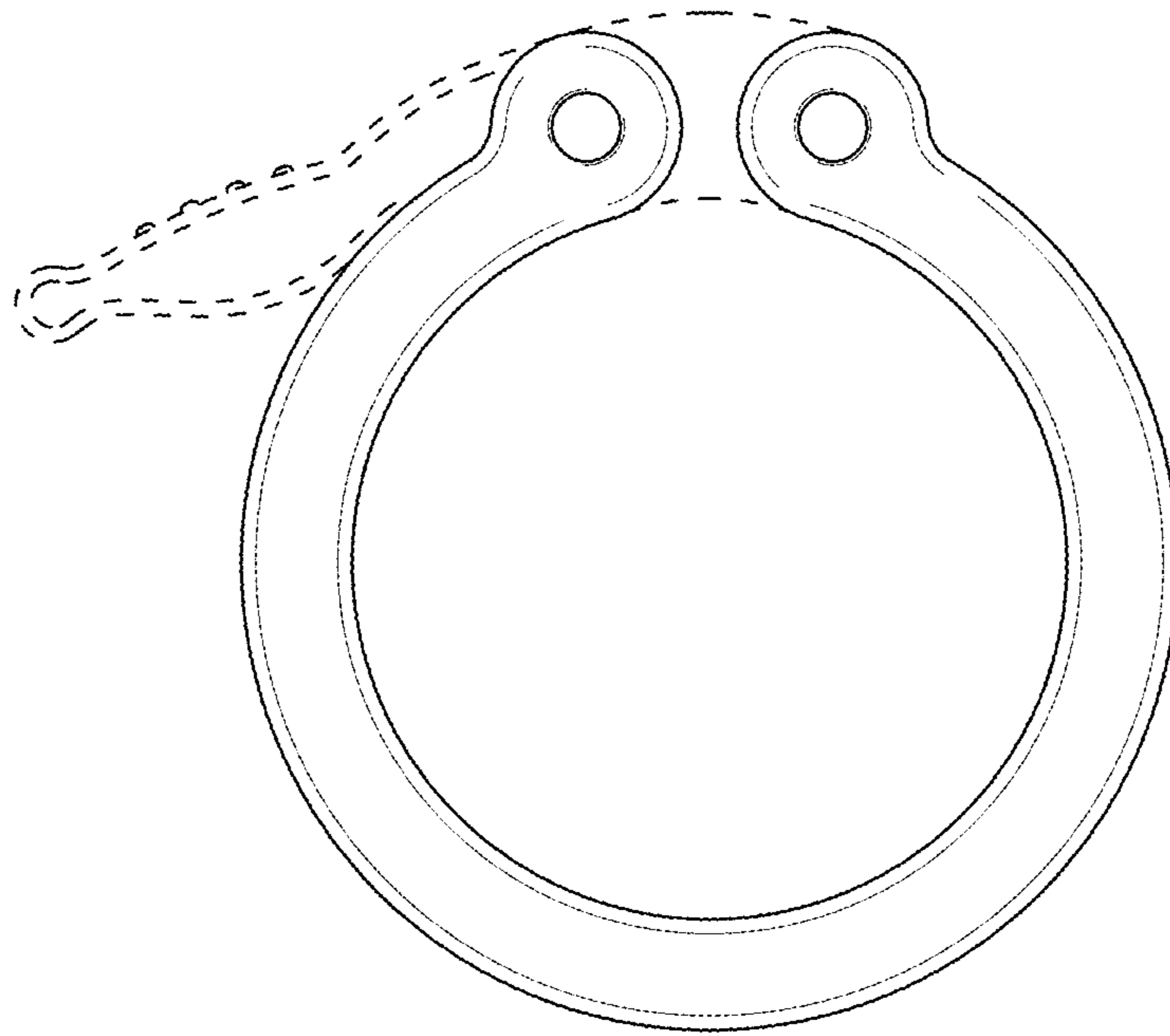


FIG. 7

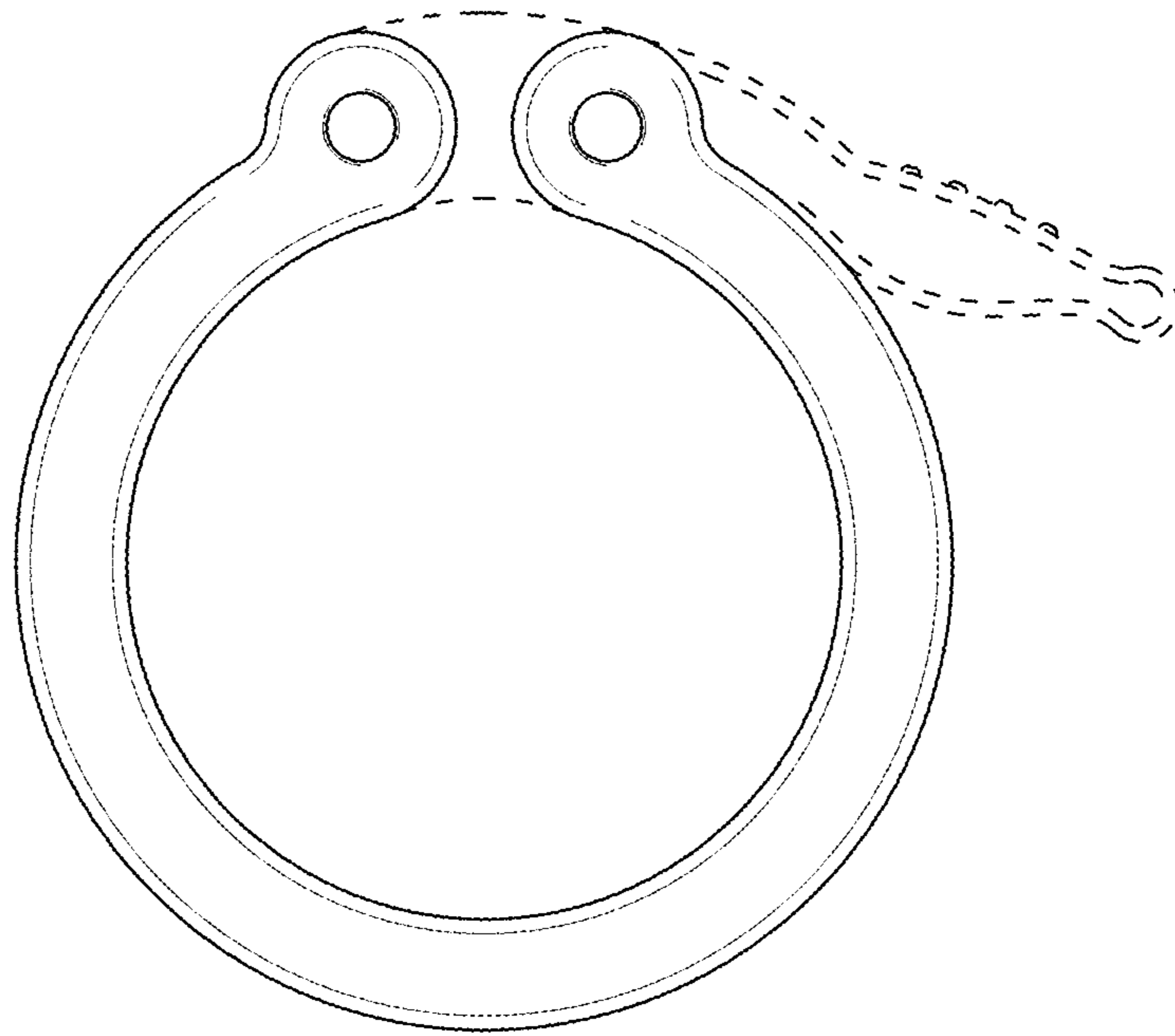


FIG. 8

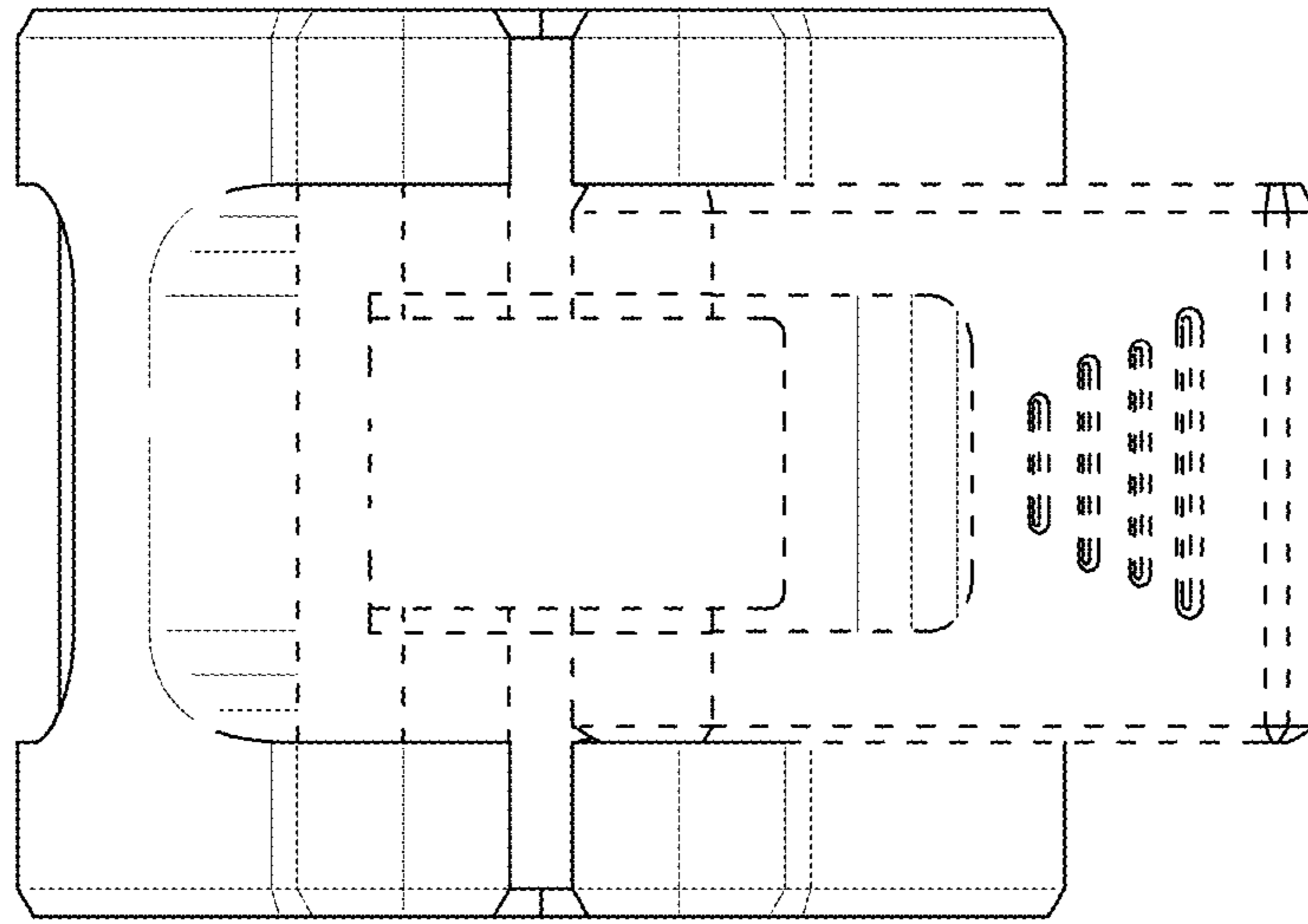


FIG. 9

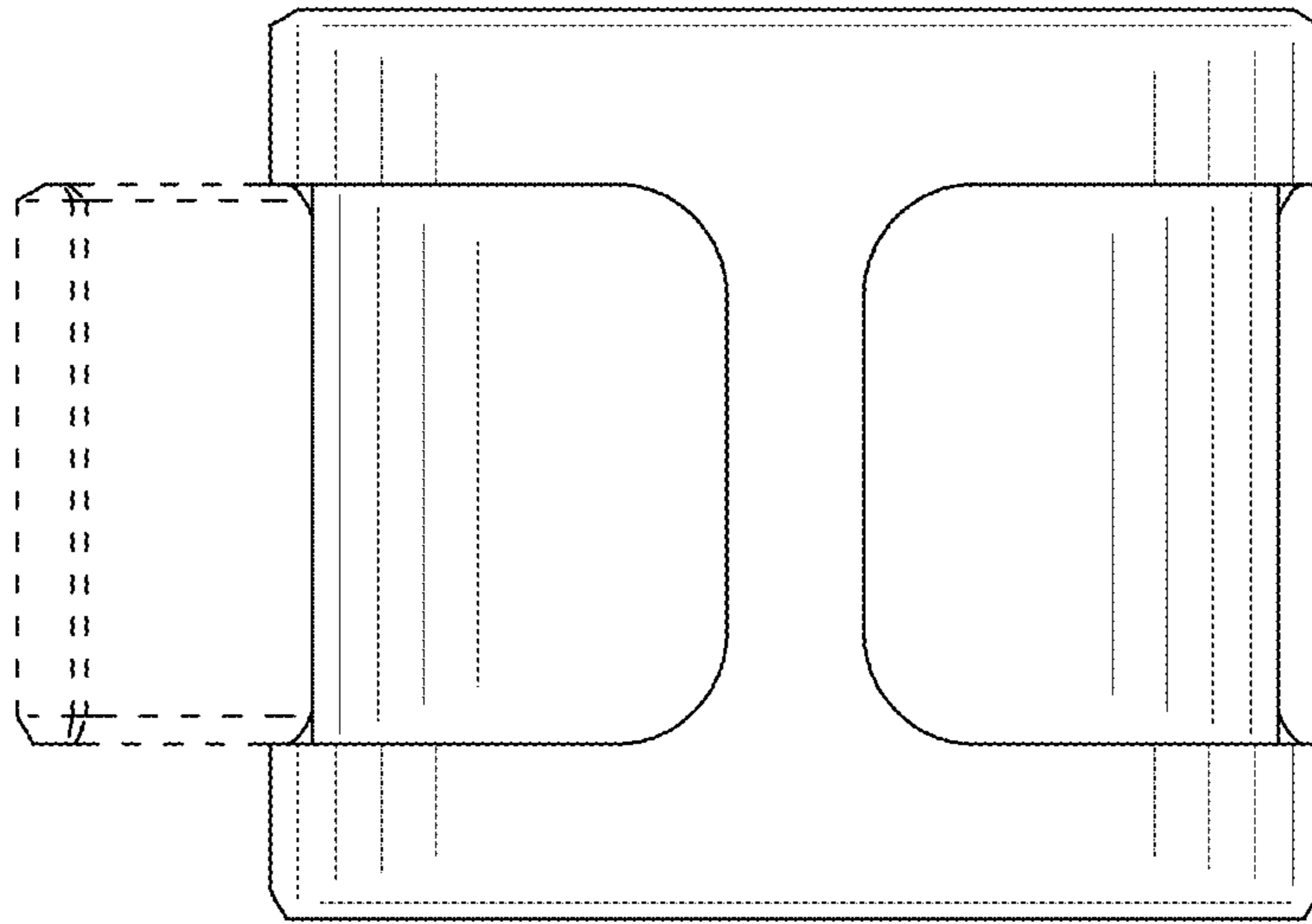


FIG. 10

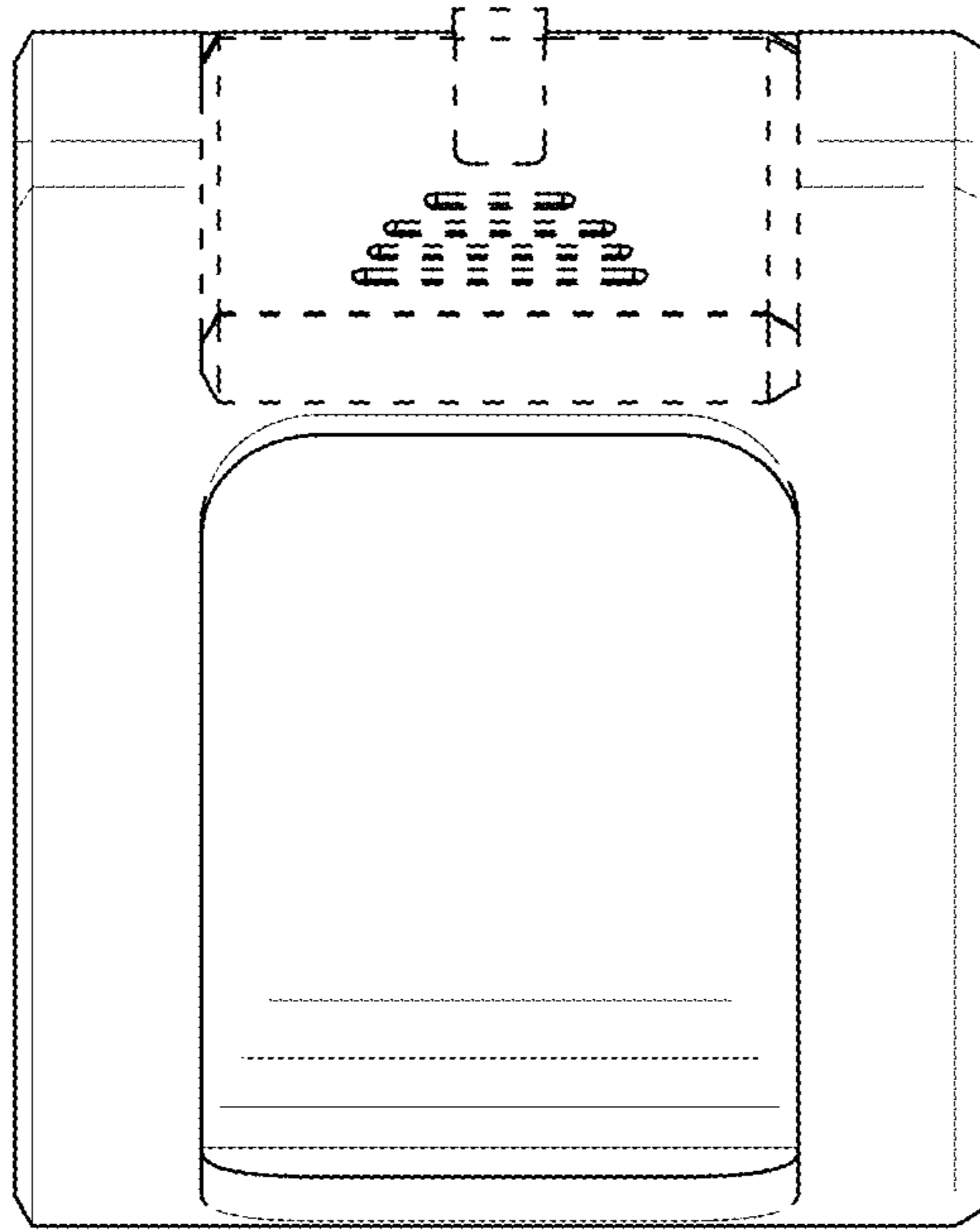


FIG. 11

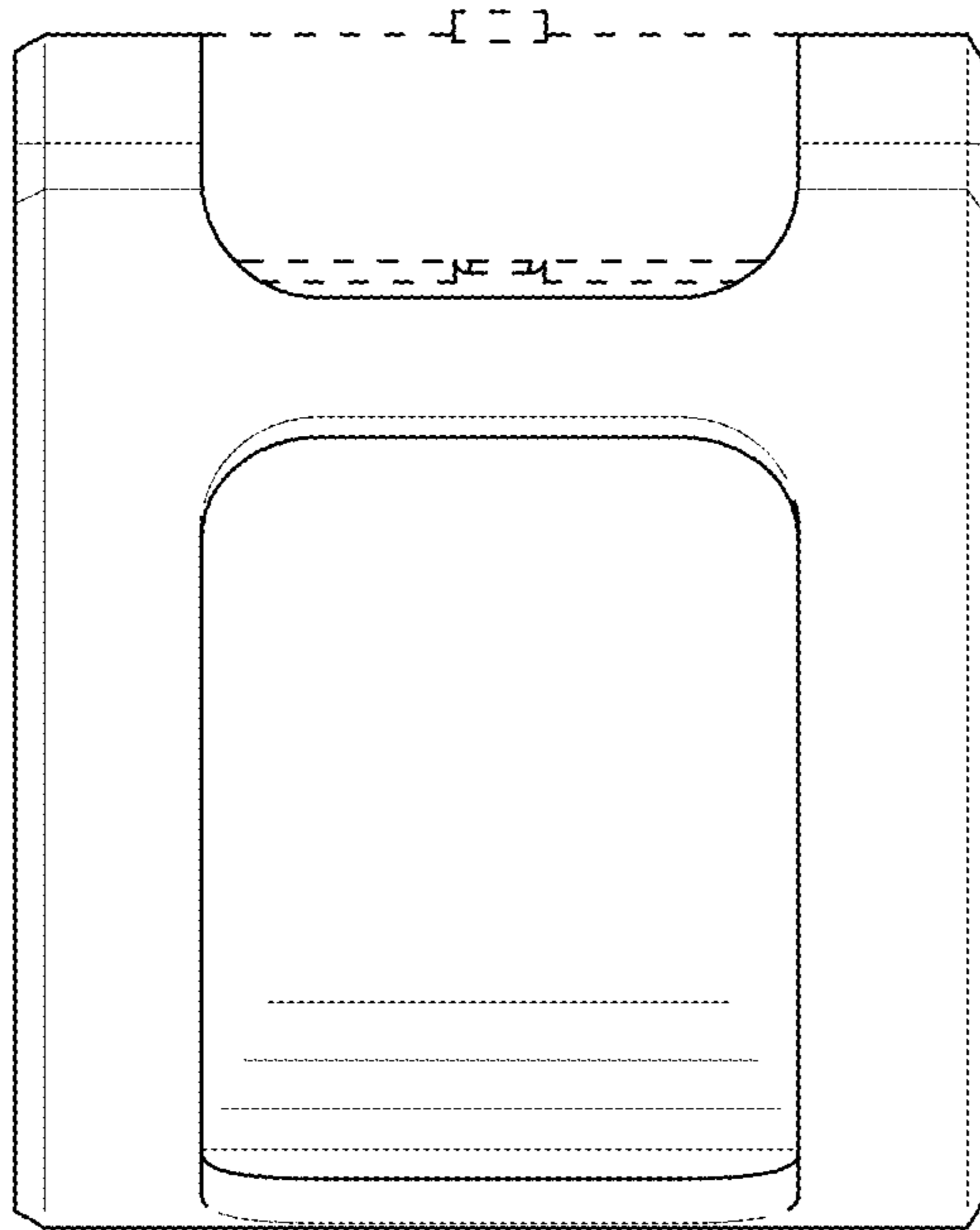


FIG. 12