



US00D900945S

(12) **United States Design Patent**  
**Kyriacou et al.**

(10) **Patent No.:** **US D900,945 S**

(45) **Date of Patent:** **\*\* Nov. 3, 2020**

- (54) **PORTABLE ROLLER DEVICE**
- (71) Applicant: **The MOOVMNT LLC**, New York, NY (US)
- (72) Inventors: **Philippou Kyriacou**, Venice, CA (US);  
**Arthur Rubinfeld**, New York, NY (US)
- (\*\*) Term: **15 Years**
- (21) Appl. No.: **29/654,156**
- (22) Filed: **Jun. 21, 2018**
- (51) **LOC (12) Cl.** ..... **21-02**
- (52) **U.S. Cl.**  
USPC ..... **D21/691**
- (58) **Field of Classification Search**  
USPC ..... D21/671, 787, 798, 826, 694, 692, 691,  
D21/690, 688, 687, 686, 684, 679, 673,  
D21/662, 683; D8/107, 300, 303, 307,  
D8/310; D12/111, 114, 317; D7/682;  
D28/37, 38  
CPC ..... A63B 21/065; A63B 21/4021; A63B  
21/4001; A63B 21/4035; A63B 21/0557;  
A63B 21/0442  
See application file for complete search history.

- D737,456 S \* 8/2015 McDonough ..... A61H 15/0092  
D24/211
- D755,304 S \* 5/2016 Ackerman ..... D21/662
- D785,103 S \* 4/2017 Townsend ..... D21/662
- D788,313 S \* 5/2017 Lawrie ..... D24/211

(Continued)

*Primary Examiner* — Shannon W Morgan  
*Assistant Examiner* — Keith Frank  
 (74) *Attorney, Agent, or Firm* — FisherBroyles LLP;  
 Kevin D. Jablonski

(57) **CLAIM**

The ornamental design for a portable roller device, as shown and described.

**DESCRIPTION**

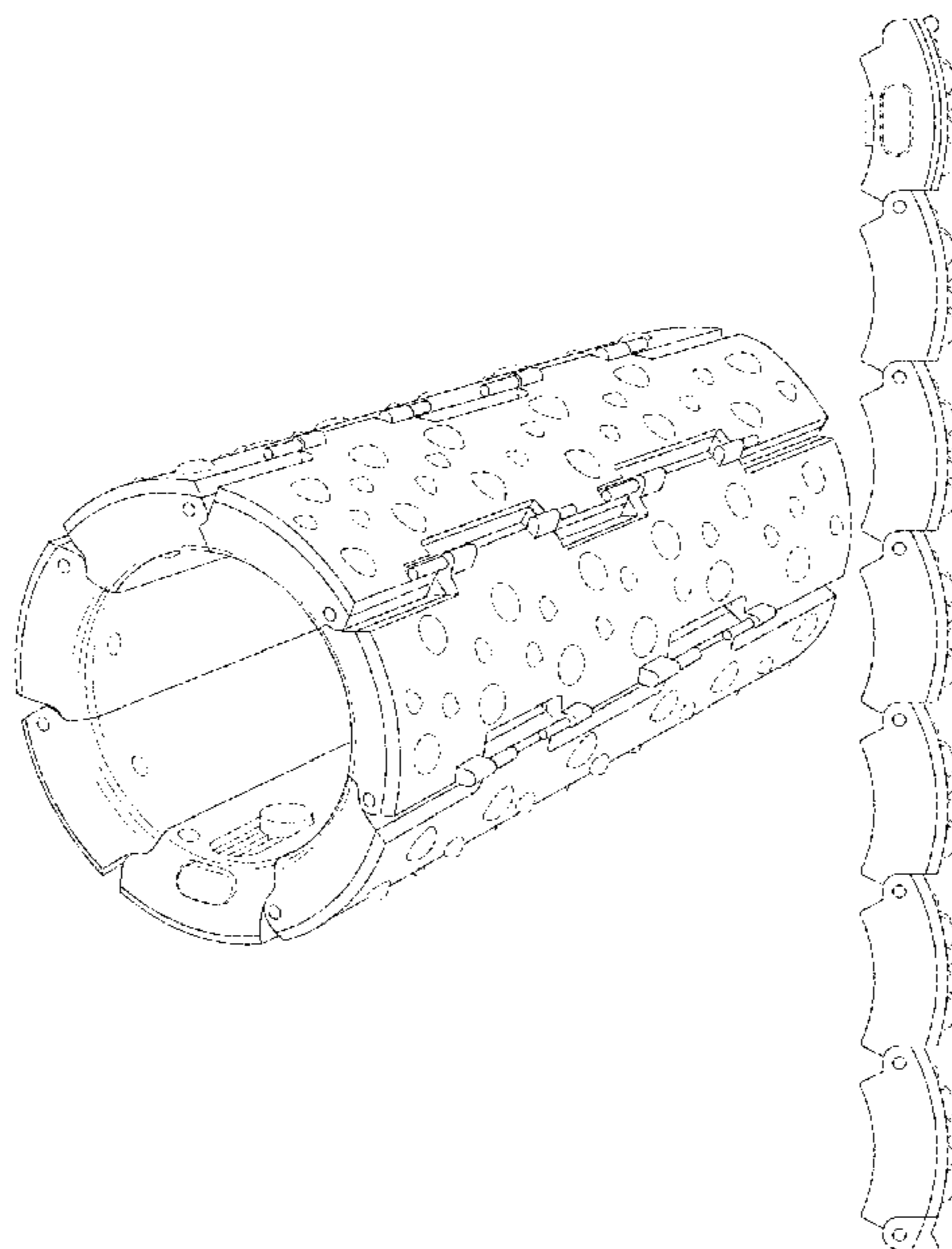
FIG. 1 is a perspective view of a portable roller device embodying our design, with the portable roller device being depicted in a closed position;  
 FIG. 2 is a side view of the portable roller device with the portable roller device being depicted in a closed position, with the opposite side view being a mirror image thereof;  
 FIG. 3 is a different side view of the portable roller device with the portable roller device being depicted in a closed position, with the opposite side view being a mirror image thereof;  
 FIG. 4 is a top perspective view of the portable roller device but depicting the portable roller device in an open position;  
 FIG. 5 is a side view of the portable roller device with the portable roller device in an open position, with the opposite side view being a mirror image thereof;  
 FIG. 6 is a top view of the portable roller device with the portable roller device in an open position; and,  
 FIG. 7 is a bottom view of the portable roller device with the portable roller device in an open position.  
 The broken lines shown in the figures depict portions of the portable roller device that form no part of the claimed design.

(56) **References Cited**

U.S. PATENT DOCUMENTS

- D257,595 S \* 12/1980 Bullock ..... D28/37
- D457,268 S \* 5/2002 Kwong ..... D28/37
- D467,386 S \* 12/2002 Carlucci ..... D28/37
- D573,262 S \* 7/2008 Soucy ..... D24/211
- D637,244 S \* 5/2011 Davis ..... D21/662
- D657,830 S \* 4/2012 Guarrasi ..... D21/662
- D660,450 S \* 5/2012 Johnson ..... D24/215
- D693,934 S \* 11/2013 Lin ..... D24/215
- D700,346 S \* 2/2014 Palizzi ..... D24/211
- D713,050 S \* 9/2014 Kao ..... A61H 15/00  
D24/211

**1 Claim, 5 Drawing Sheets**



(56)

**References Cited**

U.S. PATENT DOCUMENTS

|              |      |         |                   |                         |
|--------------|------|---------|-------------------|-------------------------|
| D825,695     | S *  | 8/2018  | Kim .....         | D21/662                 |
| D842,486     | S *  | 3/2019  | Kaoru .....       | D24/211                 |
| 2011/0300995 | A1 * | 12/2011 | Castiglione ..... | A61H 15/0092<br>482/51  |
| 2012/0035029 | A1 * | 2/2012  | Dye .....         | A61H 15/0092<br>482/132 |
| 2013/0096472 | A1 * | 4/2013  | Bertram .....     | A61H 15/0092<br>601/120 |
| 2016/0008692 | A1 * | 1/2016  | Townsend .....    | A45C 9/00<br>206/315.1  |

\* cited by examiner

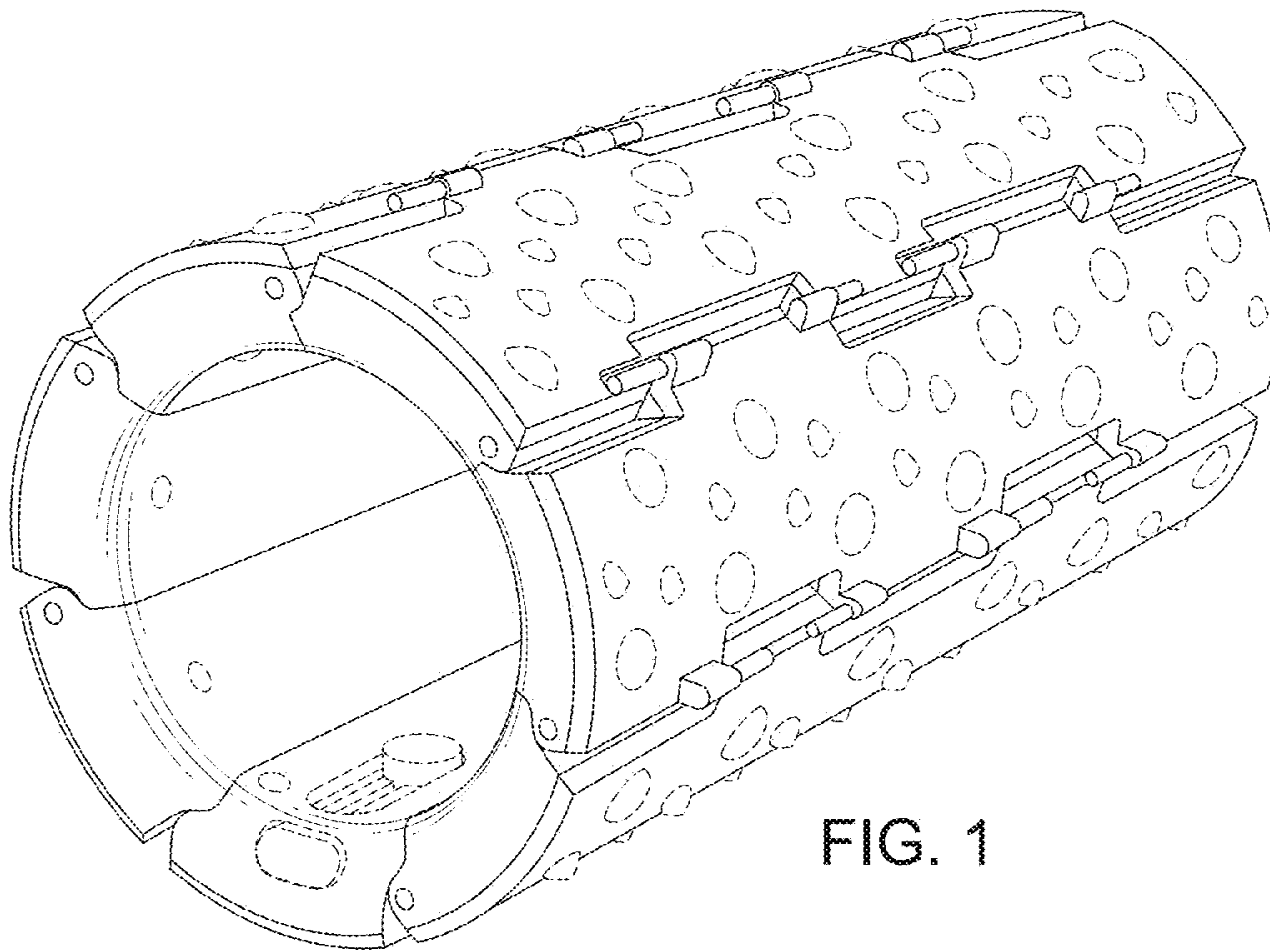


FIG. 1

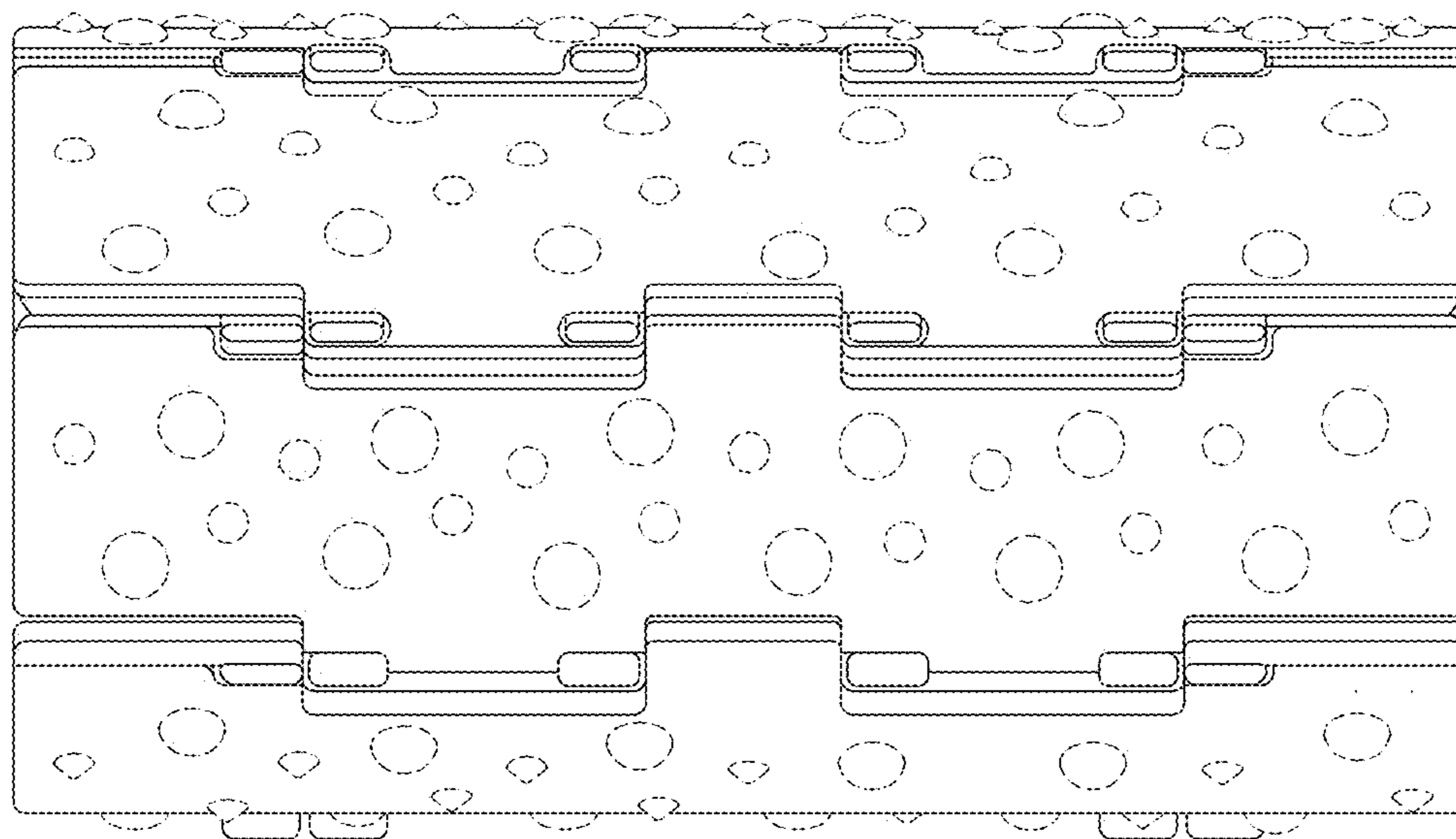


FIG. 2

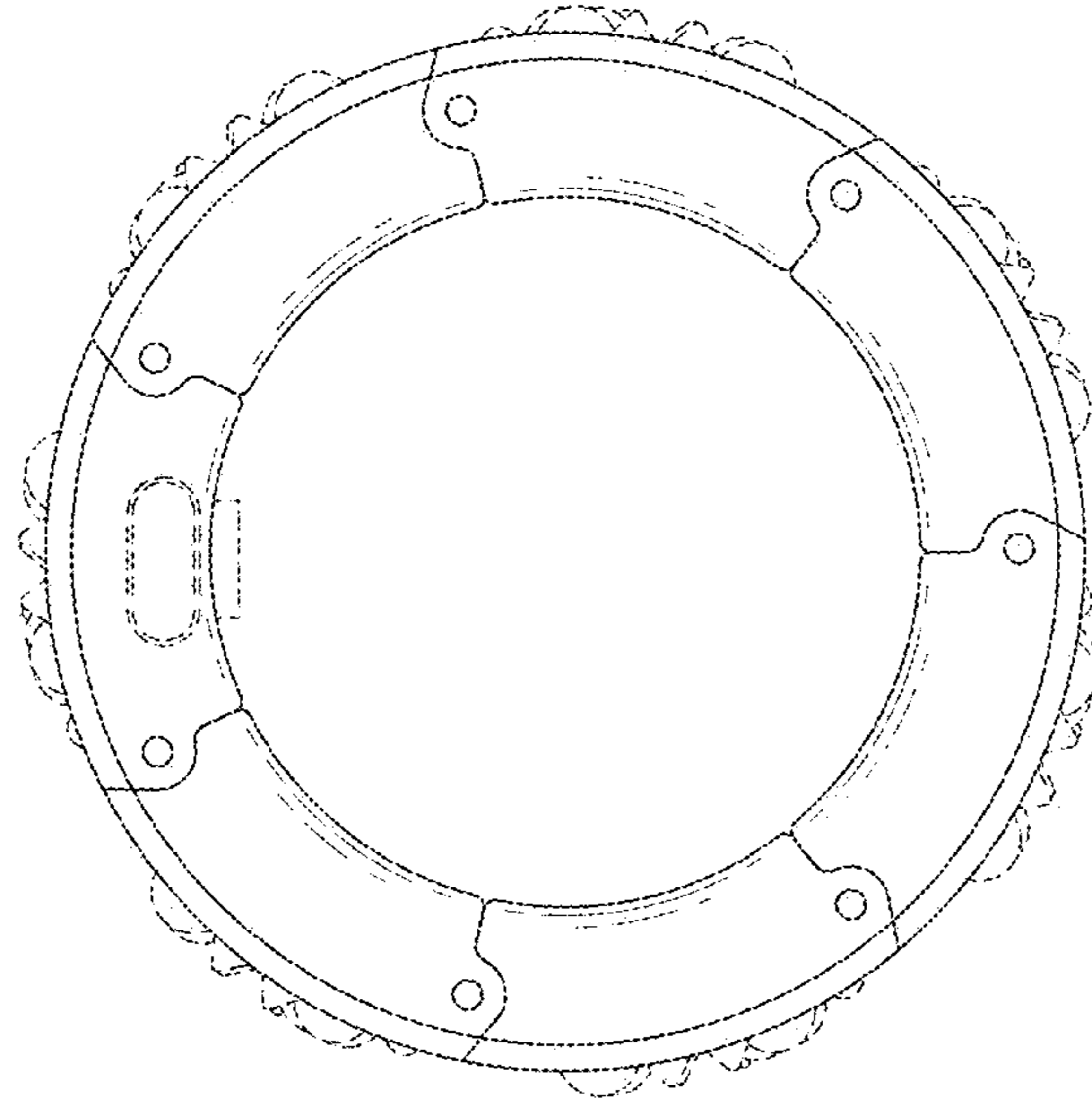


FIG. 3

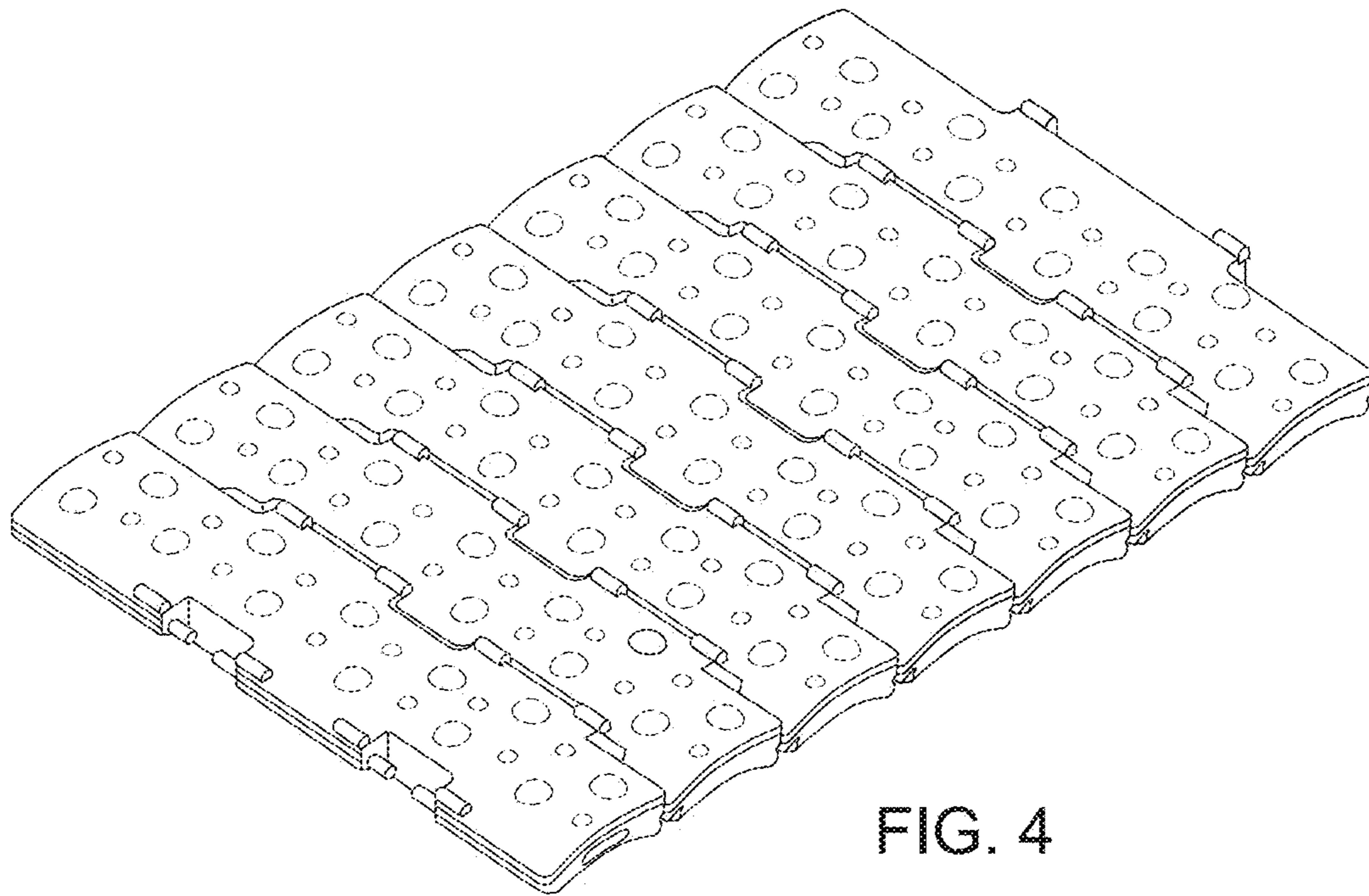


FIG. 4



FIG. 5

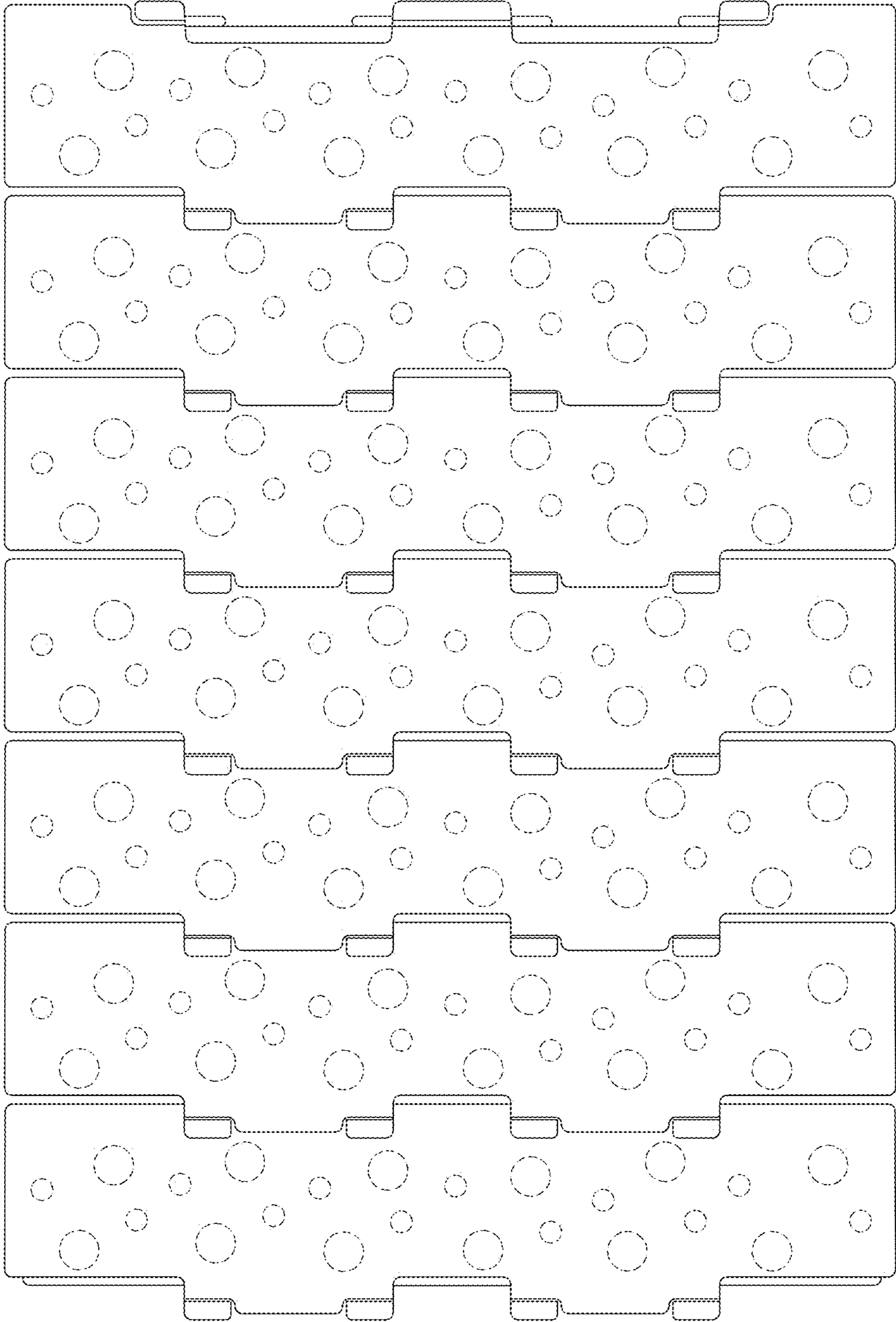


FIG. 6

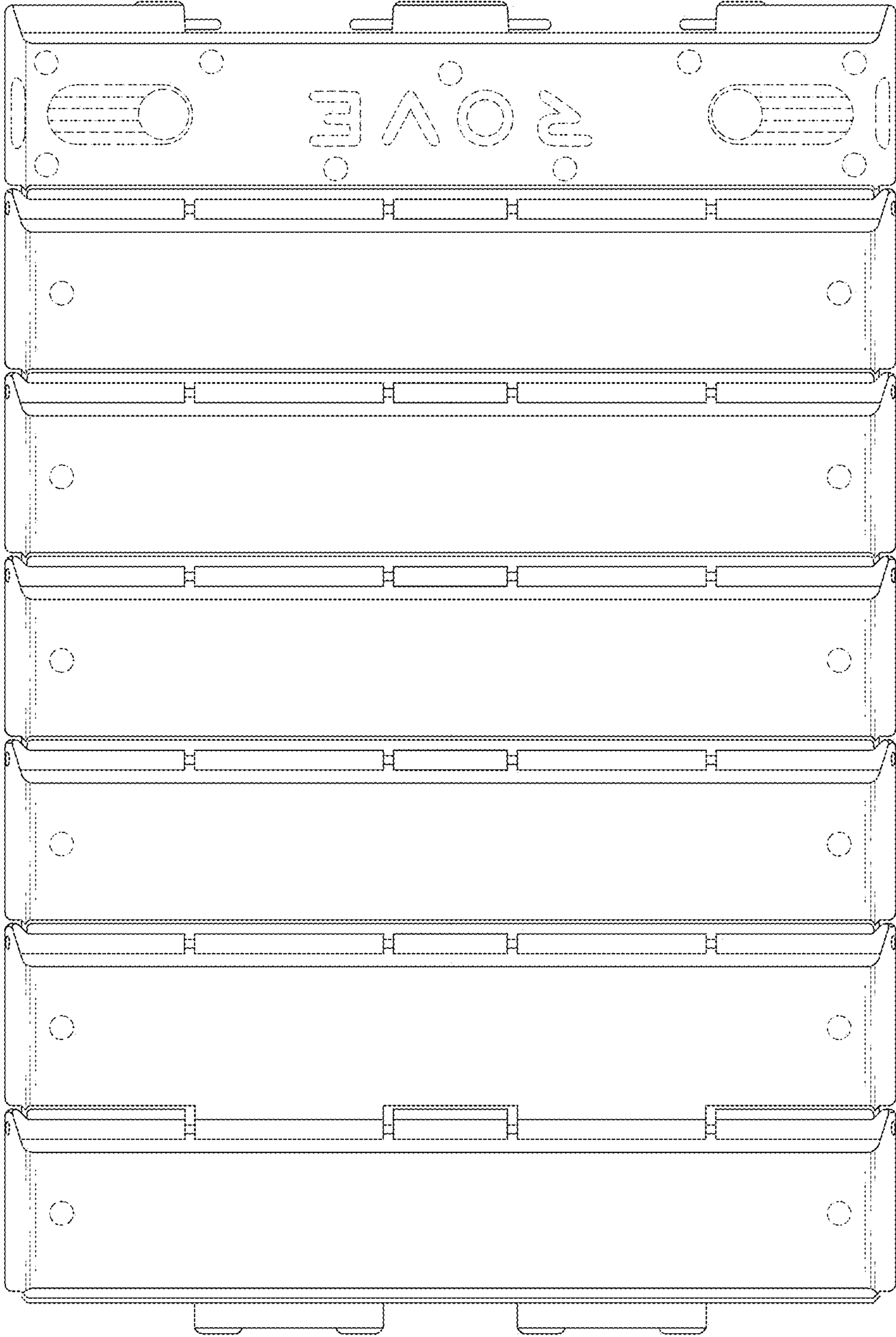


FIG. 7