

US00D900941S

(12) **United States Design Patent**
Wang

(10) **Patent No.:** **US D900,941 S**
(45) **Date of Patent:** **** Nov. 3, 2020**

(54) **WHALE-SHAPED BUBBLE MACHINE**

(71) Applicant: **Wenbin Wang**, Fujian Province (CN)

(72) Inventor: **Wenbin Wang**, Fujian Province (CN)

(**) Term: **15 Years**

(21) Appl. No.: **29/706,924**

(22) Filed: **Sep. 25, 2019**

(51) **LOC (12) Cl.** **21-01**

(52) **U.S. Cl.**
USPC **D21/401; 21/597**

(58) **Field of Classification Search**
USPC D21/401, 402, 411, 473, 585, 597, 599;
D19/126; 446/15-21

CPC A63H 33/28
See application file for complete search history.

(56) **References Cited**

U.S. PATENT DOCUMENTS

D186,610 S *	11/1959	Allen et al.	D21/401
3,021,639 A *	2/1962	Allen	A63H 33/28
				446/17
D245,804 S *	9/1977	Cone	D21/599
D280,190 S *	8/1985	Carbajales Santa-Eulalia	D11/158
				D19/65
D338,041 S *	8/1993	Cheng	D21/401
D642,629 S *	8/2011	Lo	D21/597
D670,771 S *	11/2012	Lo	D21/401
D716,381 S *	10/2014	Lo	

D793,492 S *	8/2017	Zanger	D21/597
D803,947 S *	11/2017	Lo	D21/401
D807,965 S *	1/2018	Lo	D21/401

FOREIGN PATENT DOCUMENTS

CN	303533142	*	12/2015
CN	003560994-0001	*	3/2017
CN	304438713	*	1/2018
CN	305189584	*	5/2019

* cited by examiner

Primary Examiner — Catherine A Tuttle
(74) *Attorney, Agent, or Firm* — W&K IP

(57) **CLAIM**

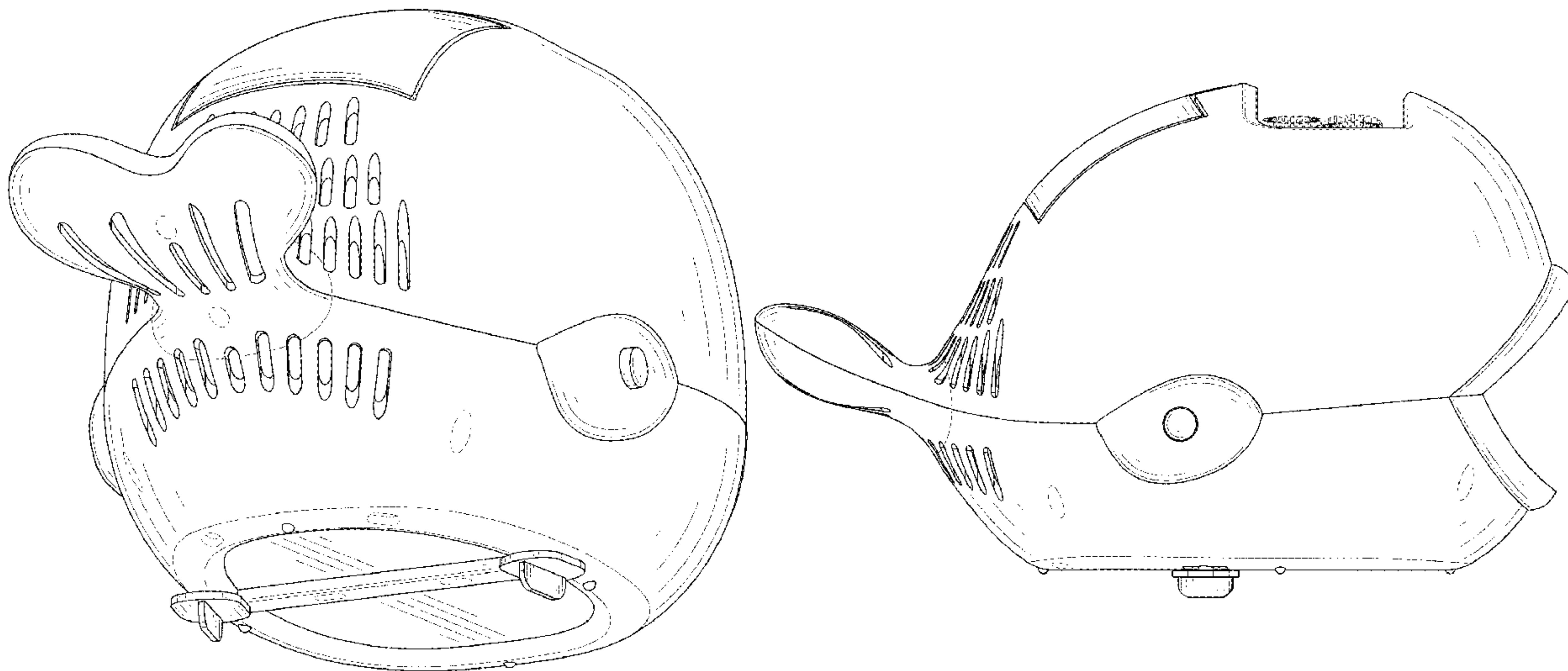
The ornamental design for a whale-shaped bubble machine, as shown and described.

DESCRIPTION

FIG. 1 is a front and top perspective view of a whale-shaped bubble machine, showing my new design; FIG. 2 is a rear and bottom perspective view thereof; FIG. 3 is a front elevational view thereof; FIG. 4 is a rear elevational view thereof; FIG. 5 is a left side elevational view thereof; FIG. 6 is a right side elevational view thereof; FIG. 7 is a top plan view thereof; and, FIG. 8 is a bottom plan view thereof.

The broken lines in the figures illustrate portions of the whale-shaped bubble machine that form no part of the claimed design.

1 Claim, 8 Drawing Sheets



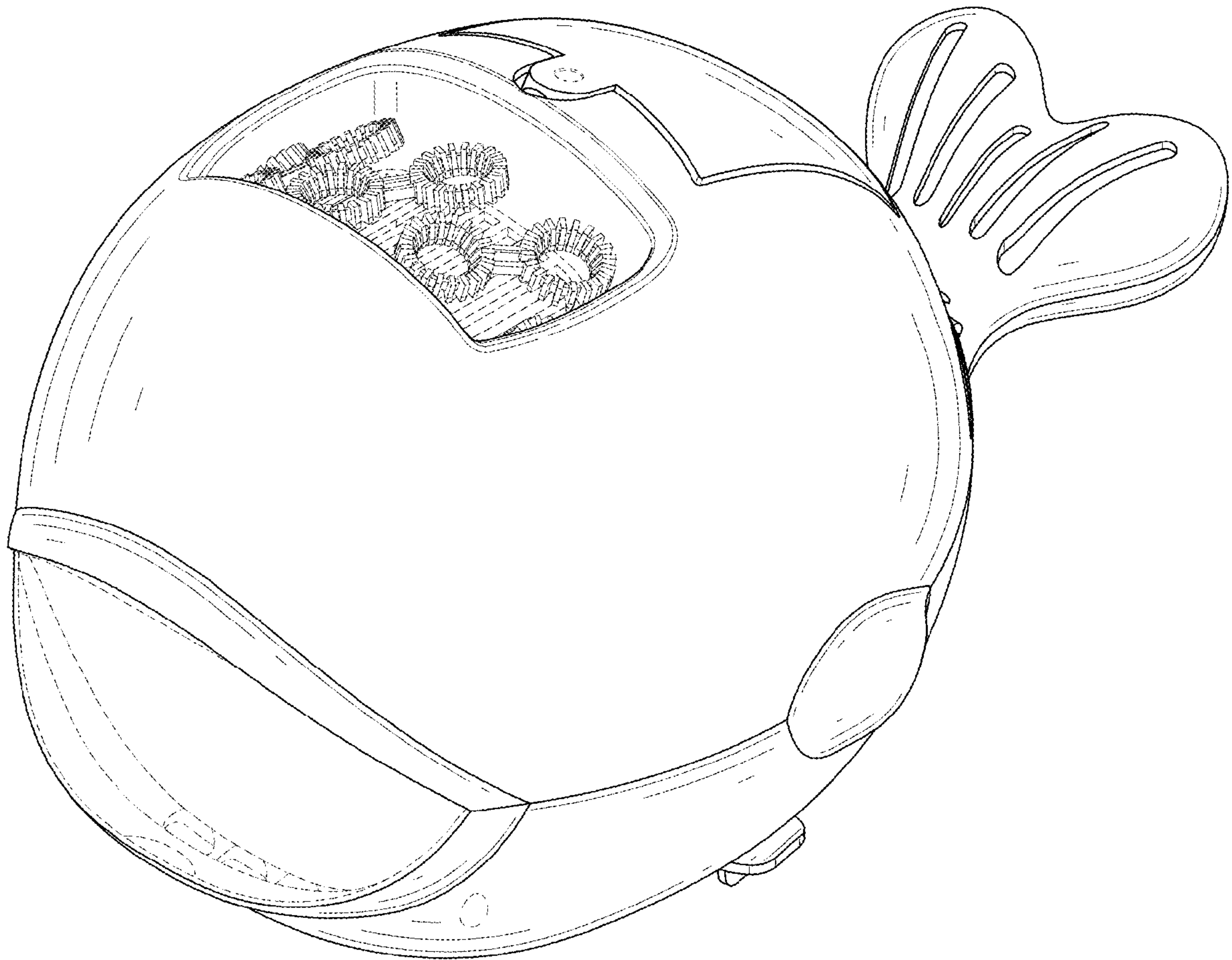


FIG. 1

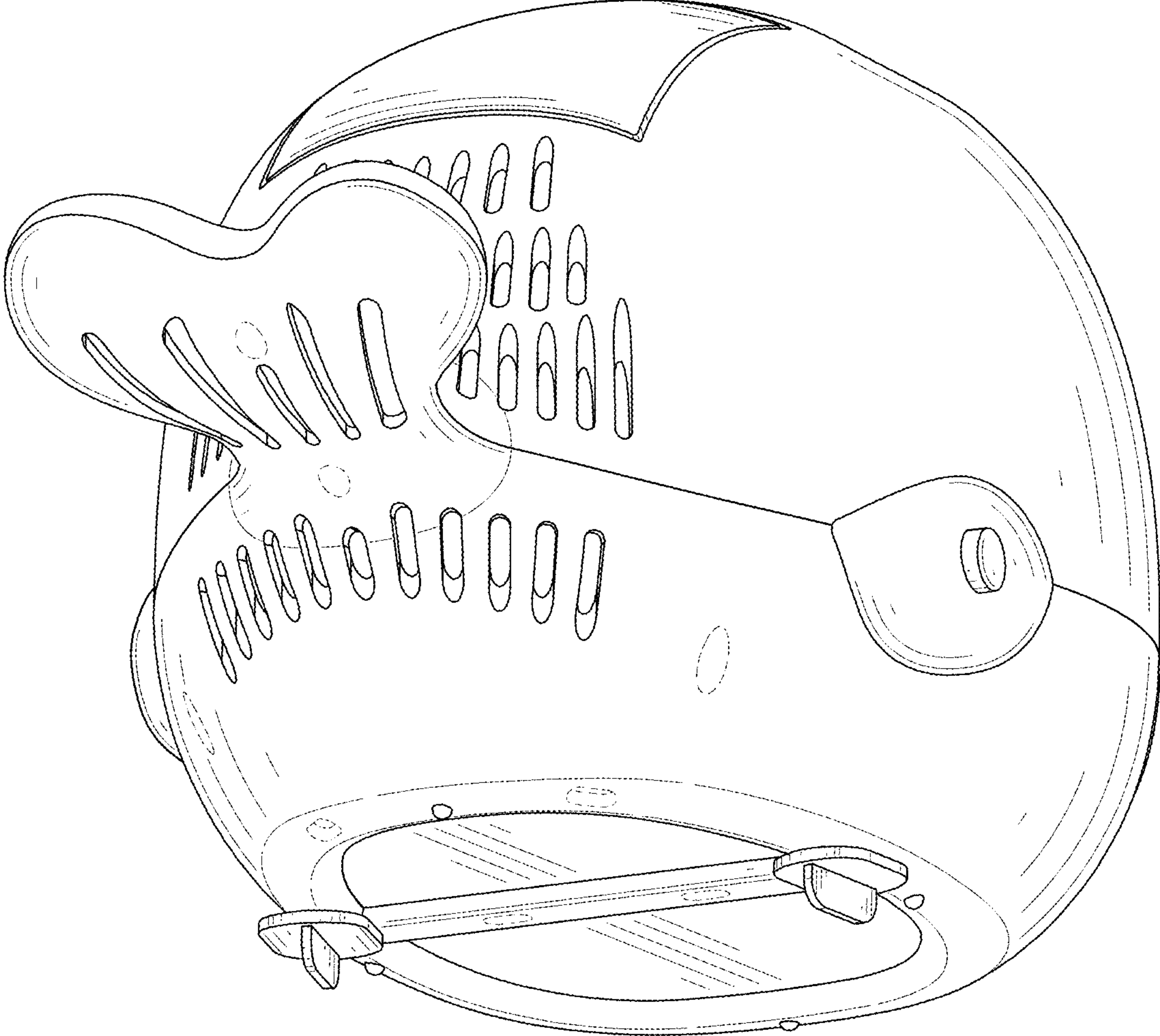


FIG. 2

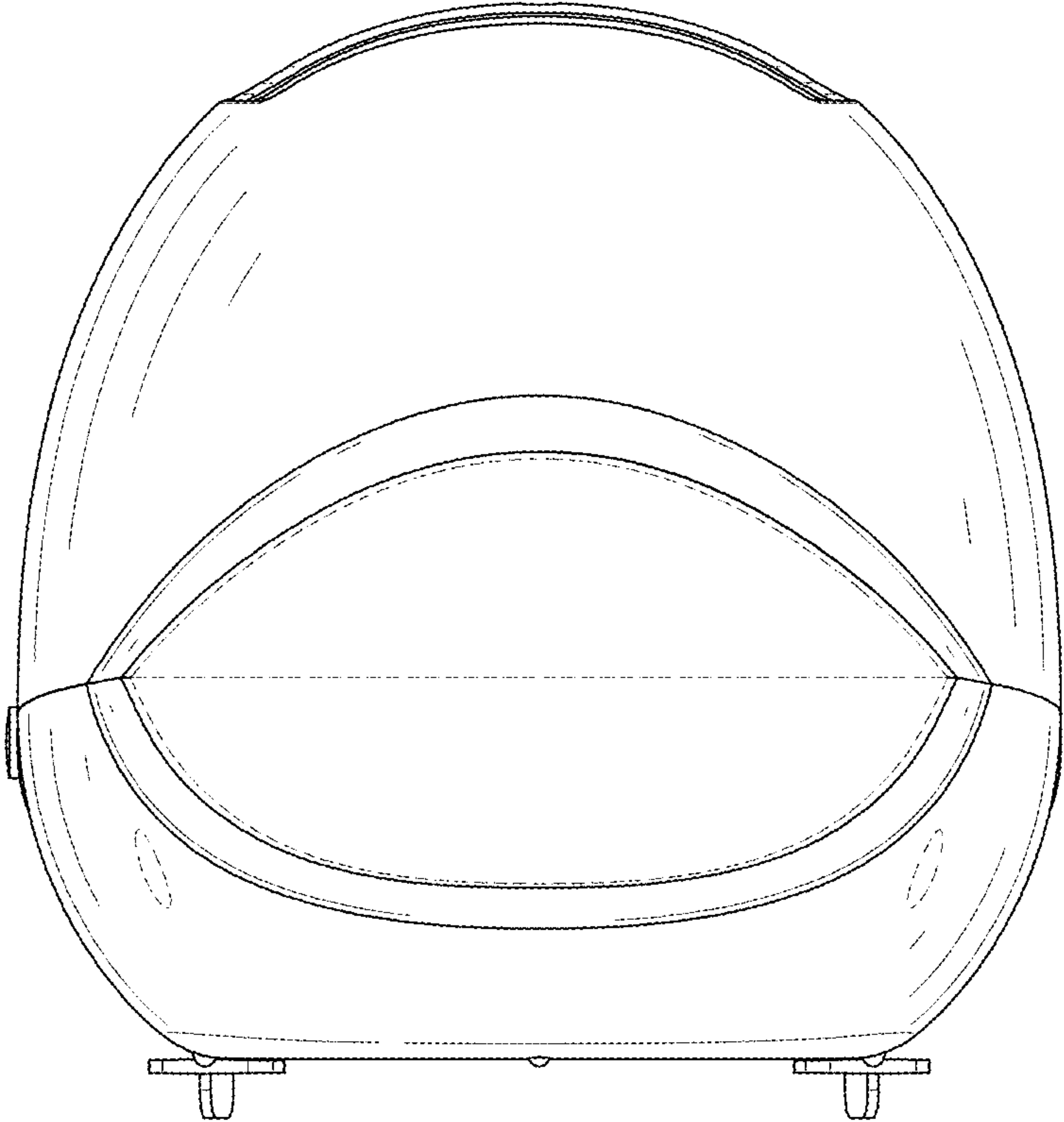


FIG. 3

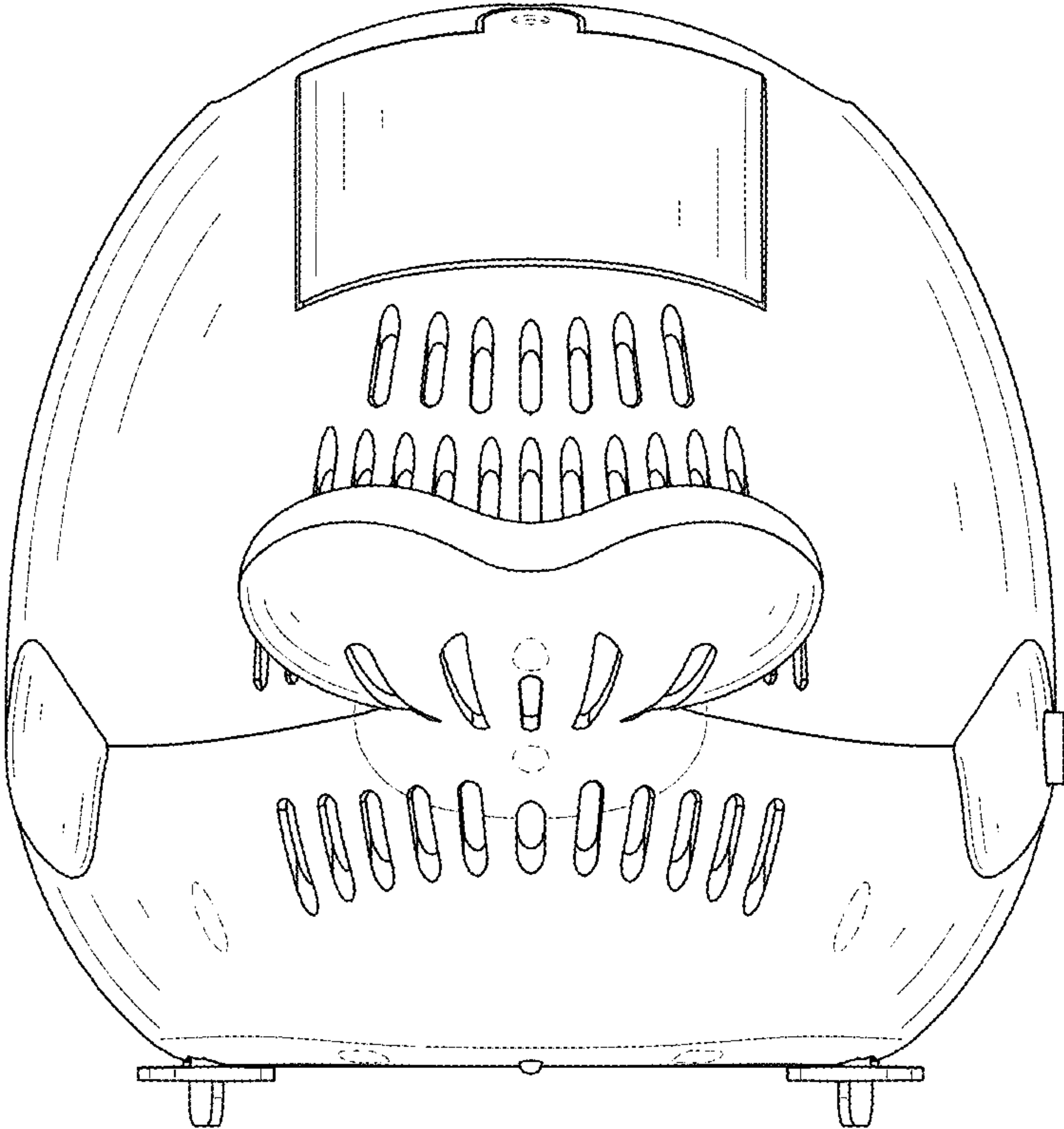


FIG. 4

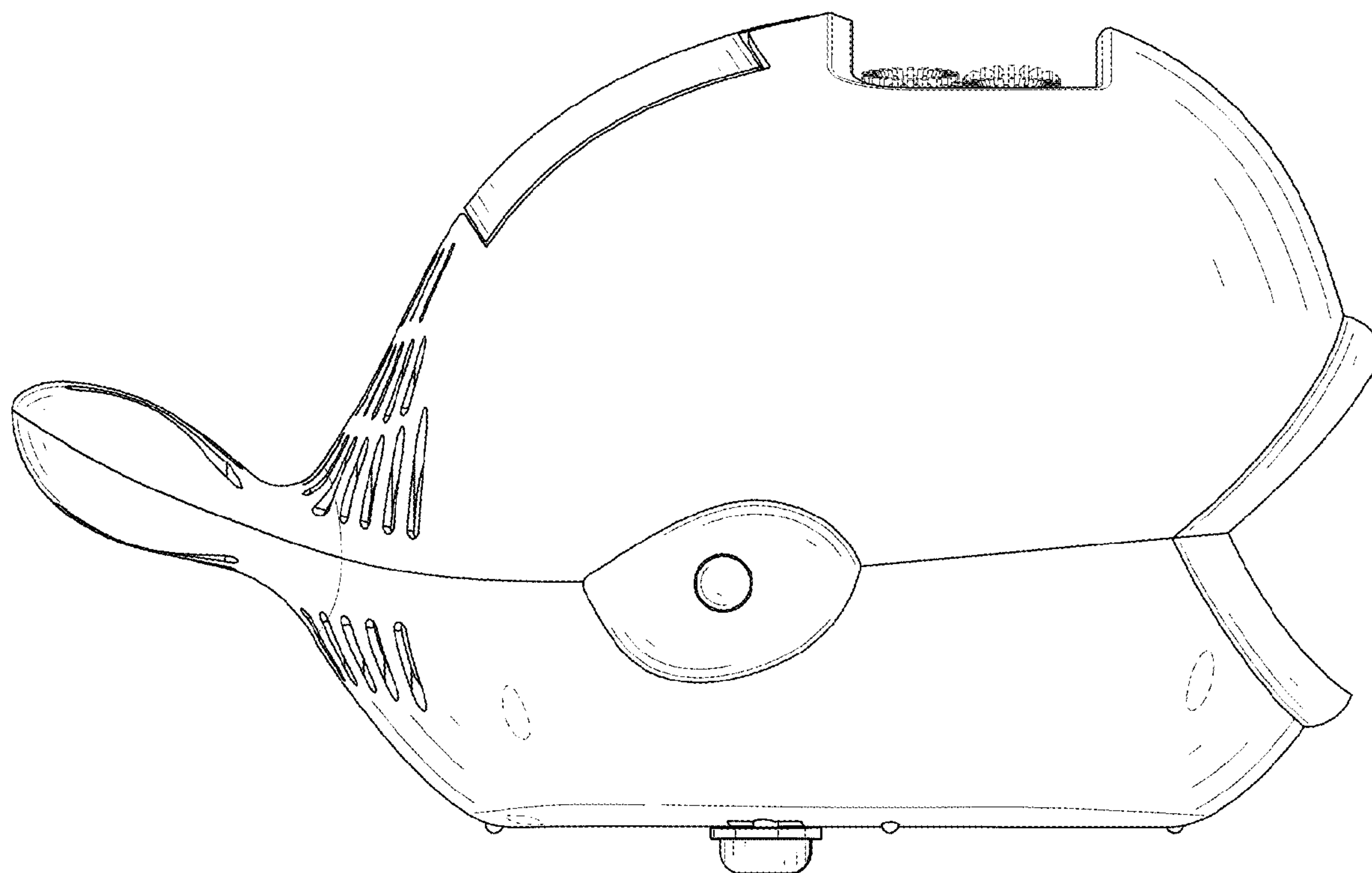


FIG. 5

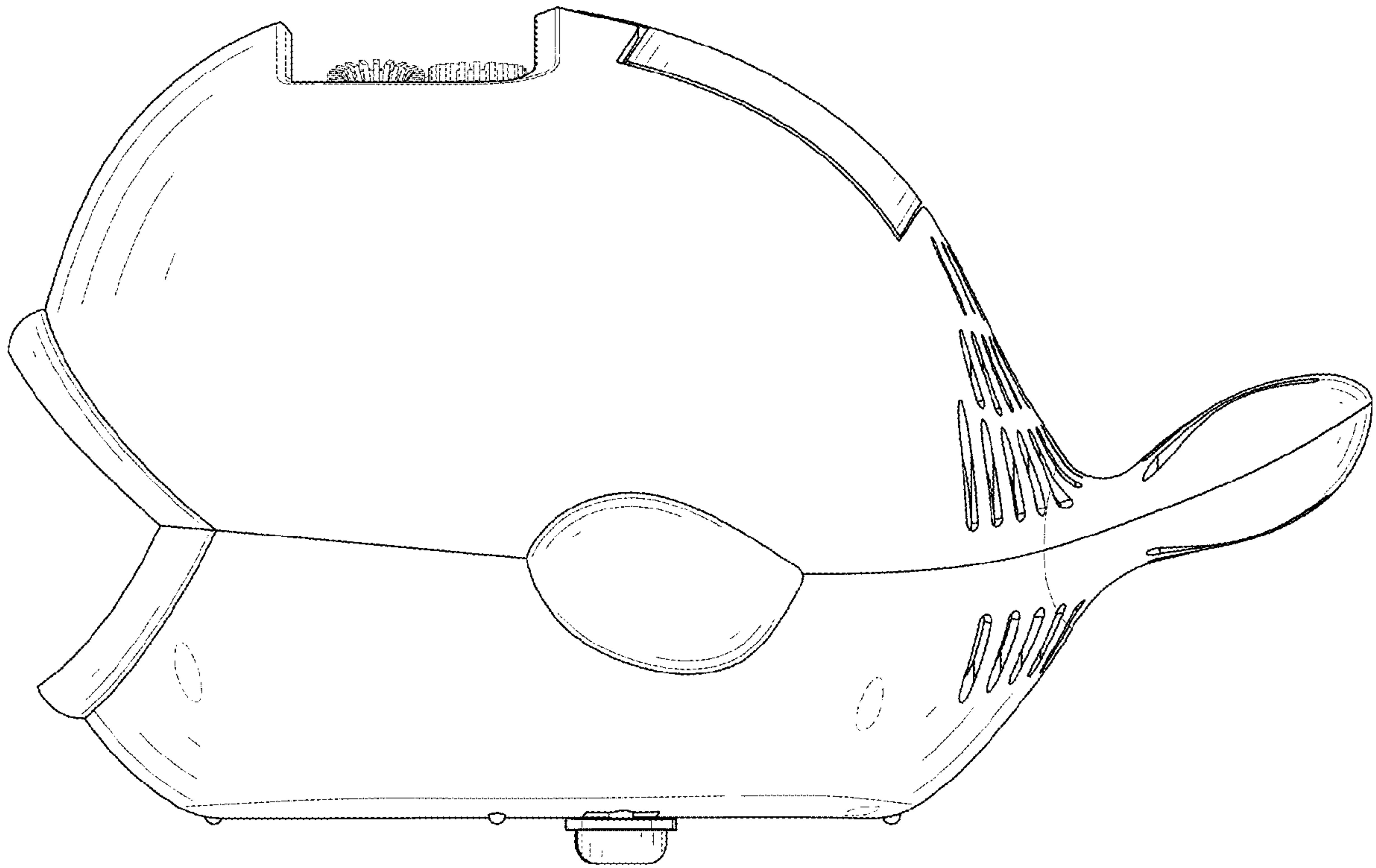


FIG. 6

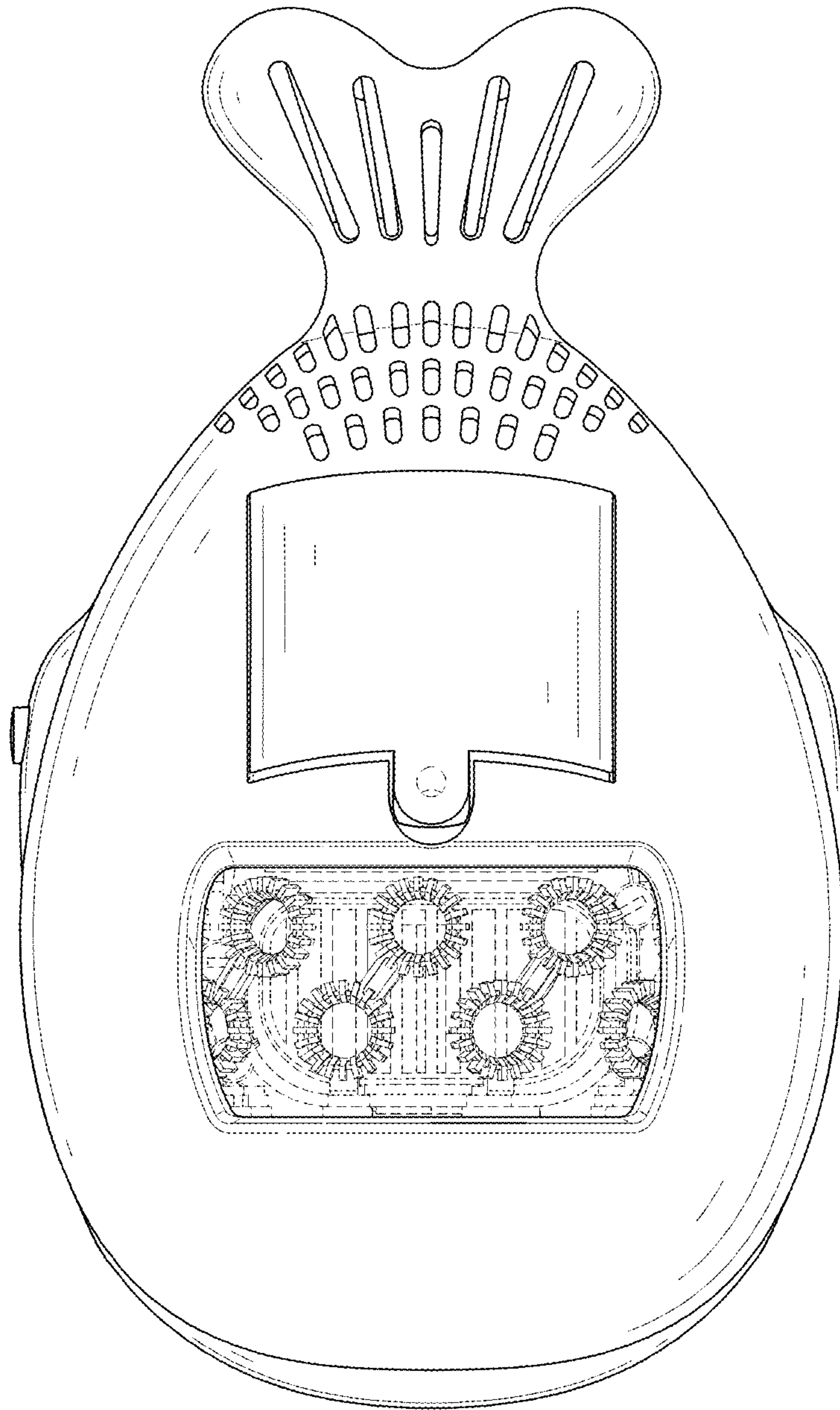


FIG. 7

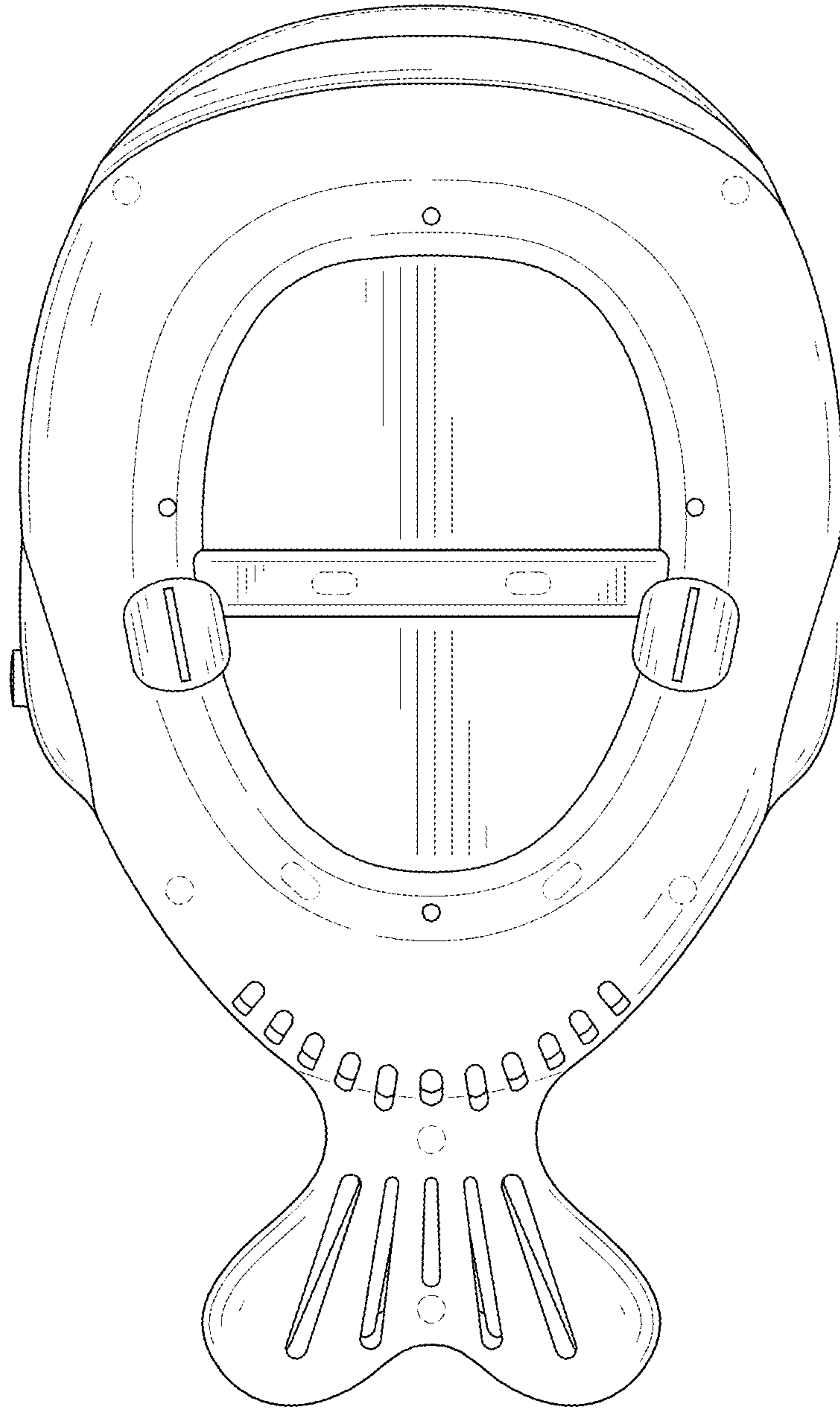


FIG. 8