



US00D900939S

(12) **United States Design Patent** (10) **Patent No.:** **US D900,939 S**
Yokoyama et al. (45) **Date of Patent:** **** Nov. 3, 2020**

(54) **GAME MACHINE**

(56) **References Cited**

(71) Applicant: **Marvelous Inc.**, Tokyo (JP)

U.S. PATENT DOCUMENTS

(72) Inventors: **Tatsuya Yokoyama**, Tokyo (JP); **Ken Mikami**, Tokyo (JP); **Shingo Dote**, Tokyo (JP)

D435,271 S *	12/2000	Muraki	D21/325
D435,868 S *	1/2001	Muraki	D21/325
D569,919 S *	5/2008	Zielinski	D21/370
D617,388 S *	6/2010	Wildner	D21/325
D617,389 S *	6/2010	Wildner	D21/325
D624,604 S *	9/2010	Wudtke	D21/385
D625,368 S *	10/2010	Nelson	D21/385
D652,454 S *	1/2012	Yepez	D21/324
D665,853 S *	8/2012	DeSimone	D21/370
D734,735 S *	7/2015	Tooker	D14/172
D762,613 S *	8/2016	Garneau	D14/172
D762,778 S *	8/2016	Knesek	D21/325
D775,603 S *	1/2017	Tooker	D14/172
D843,469 S *	3/2019	Nettenstrom	D21/369
D852,890 S *	7/2019	Ross	D21/370

(**) Term: **15 Years**

(21) Appl. No.: **35/507,603**

(22) Filed: **Mar. 29, 2019**

(80) **Hague Agreement Data**

Int. Filing Date: **Mar. 29, 2019**

Int. Reg. No.: **DM/203654**

Int. Reg. Date: **Mar. 29, 2019**

Int. Reg. Pub. Date: **Nov. 1, 2019**

* cited by examiner

Primary Examiner — George D. Kirschbaum

Assistant Examiner — Joseph J Kukella

(30) **Foreign Application Priority Data**

(57) **CLAIM**

Oct. 1, 2018 (JP) 2018-021496

The ornamental design for game machine, as shown and described.

(51) **LOC (12) Cl.** **21-03**

DESCRIPTION

(52) **U.S. Cl.**
USPC **D21/369**

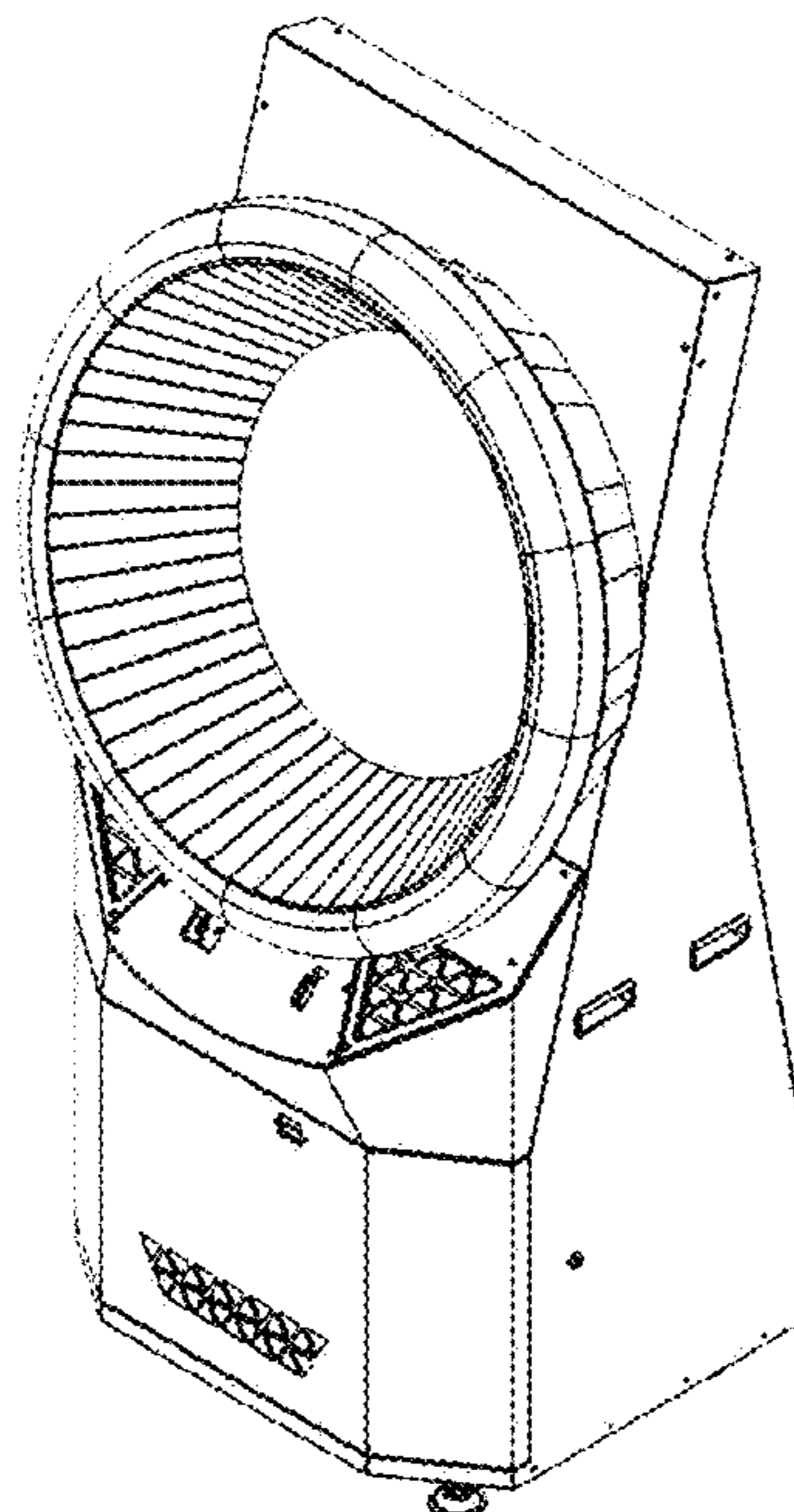
(58) **Field of Classification Search**
USPC D14/301, 302, 307, 308, 488-490;
D21/324-327, 329, 333-342, 345-349,
D21/360-369, 371, 374, 375, 397
CPC A63F 5/00; A63F 5/0005; A63F 5/007;
A63F 5/02; A63F 2009/2448; A63F
2009/245; A63F 2009/2457; A63F
2009/2458; A63F 2009/246; A63F
2009/2461; A63F 2009/2463

- 1. Game machine
- 1.1 : Front
- 1.2 : Right
- 1.3 : Left
- 1.4 : Top
- 1.5 : Bottom
- 1.6 : Back
- 1.7 : Perspective

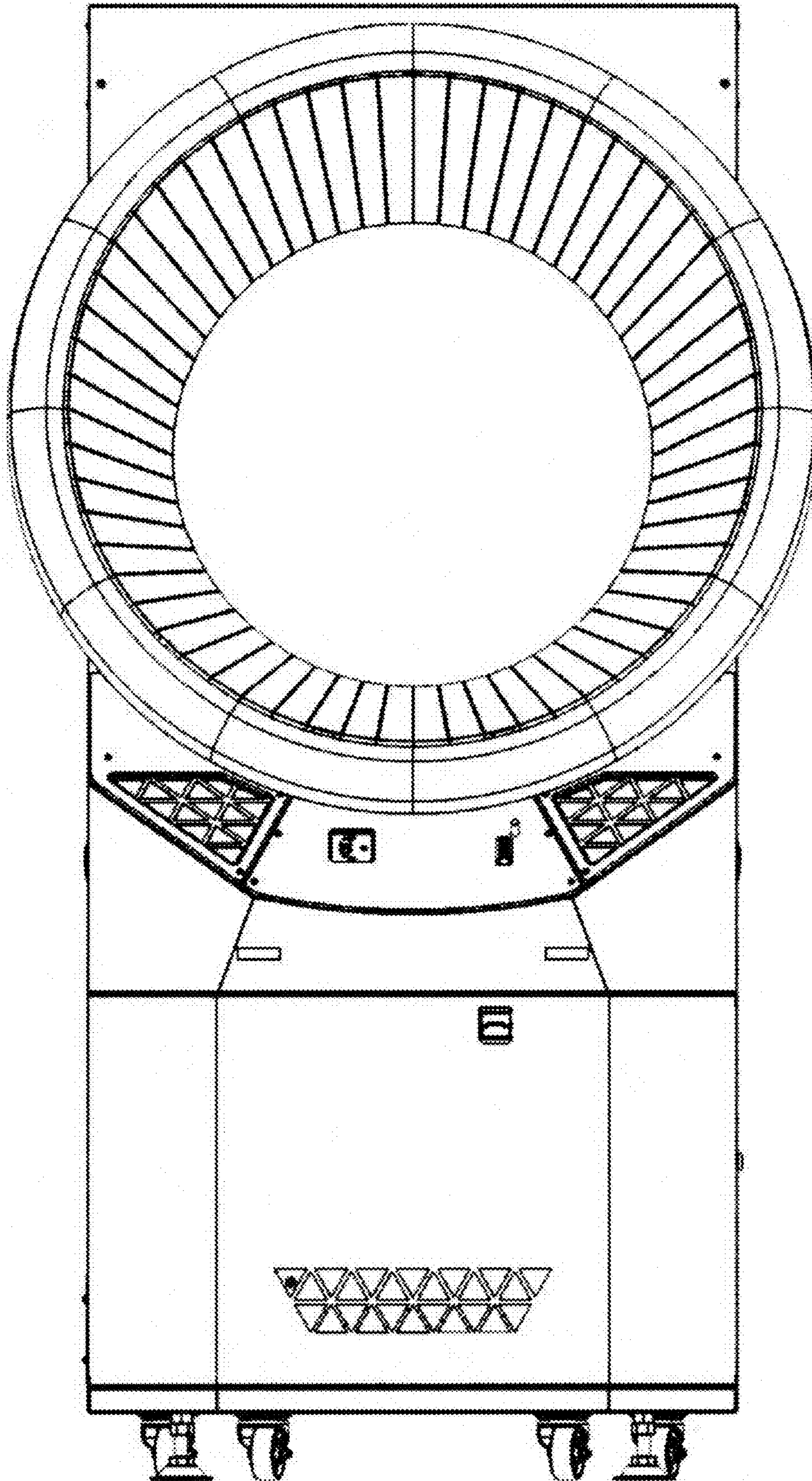
The operation part provided on and around the monitor is formed into the shape of circular truncated cone.

See application file for complete search history.

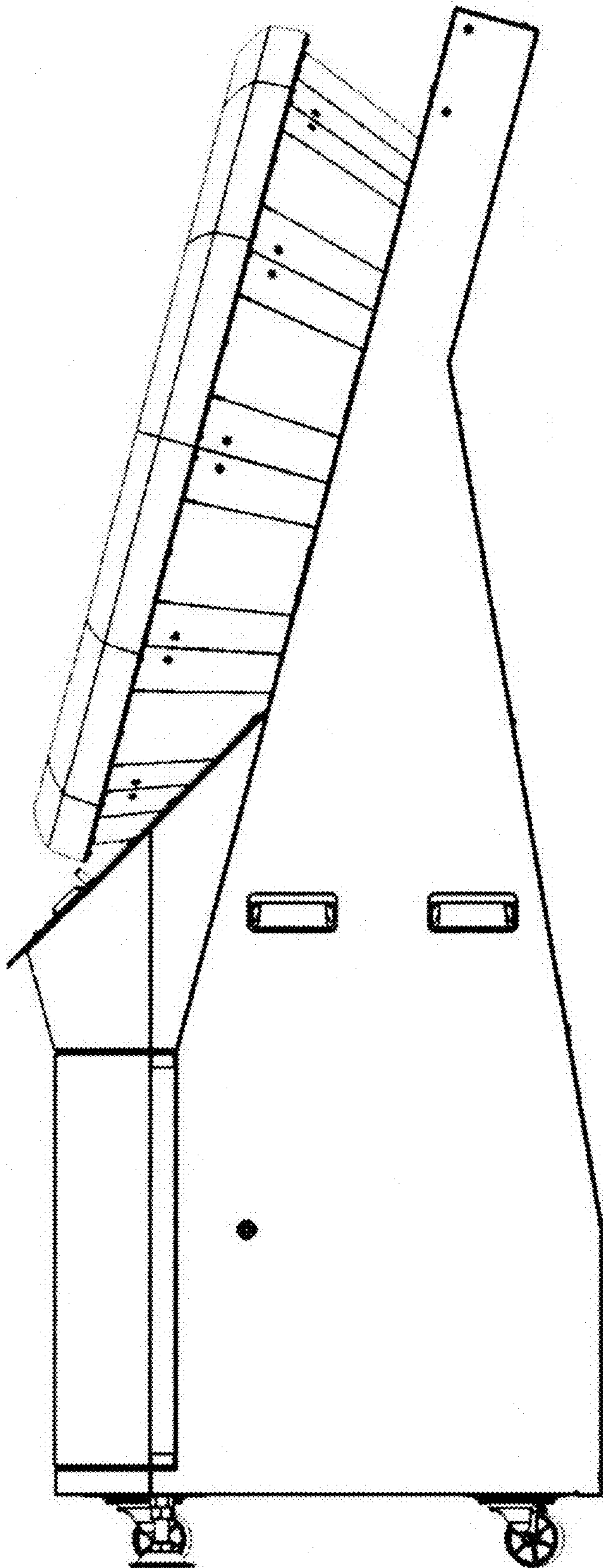
1 Claim, 7 Drawing Sheets



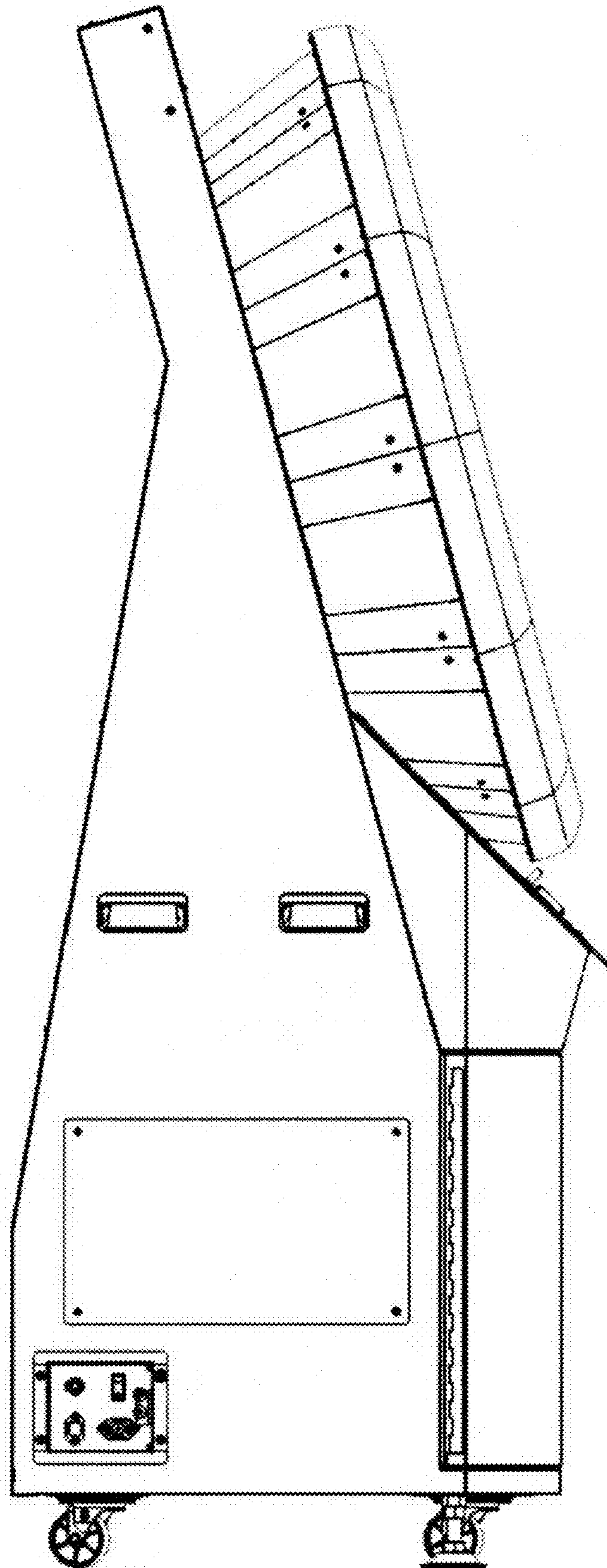
1.1



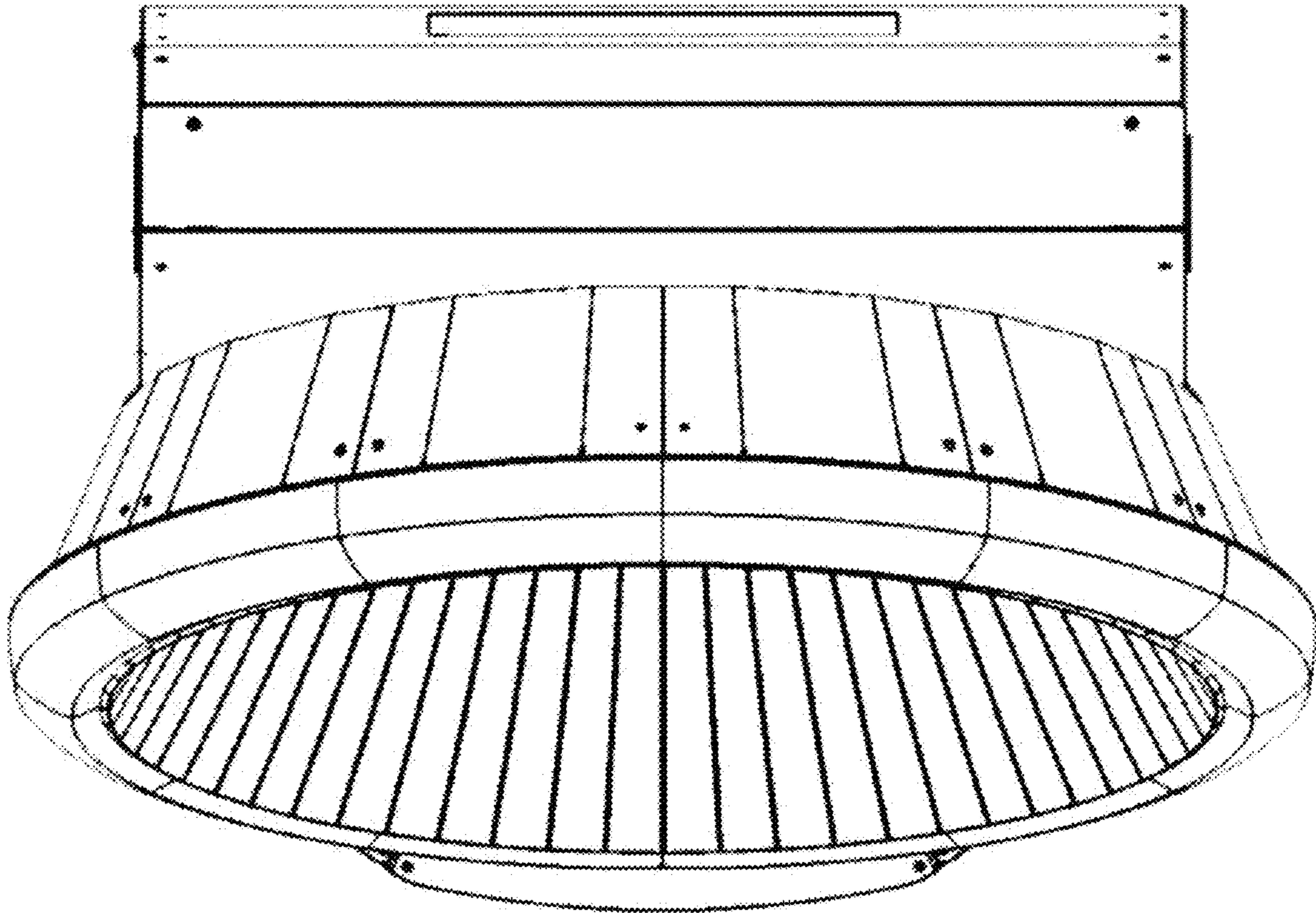
1.2



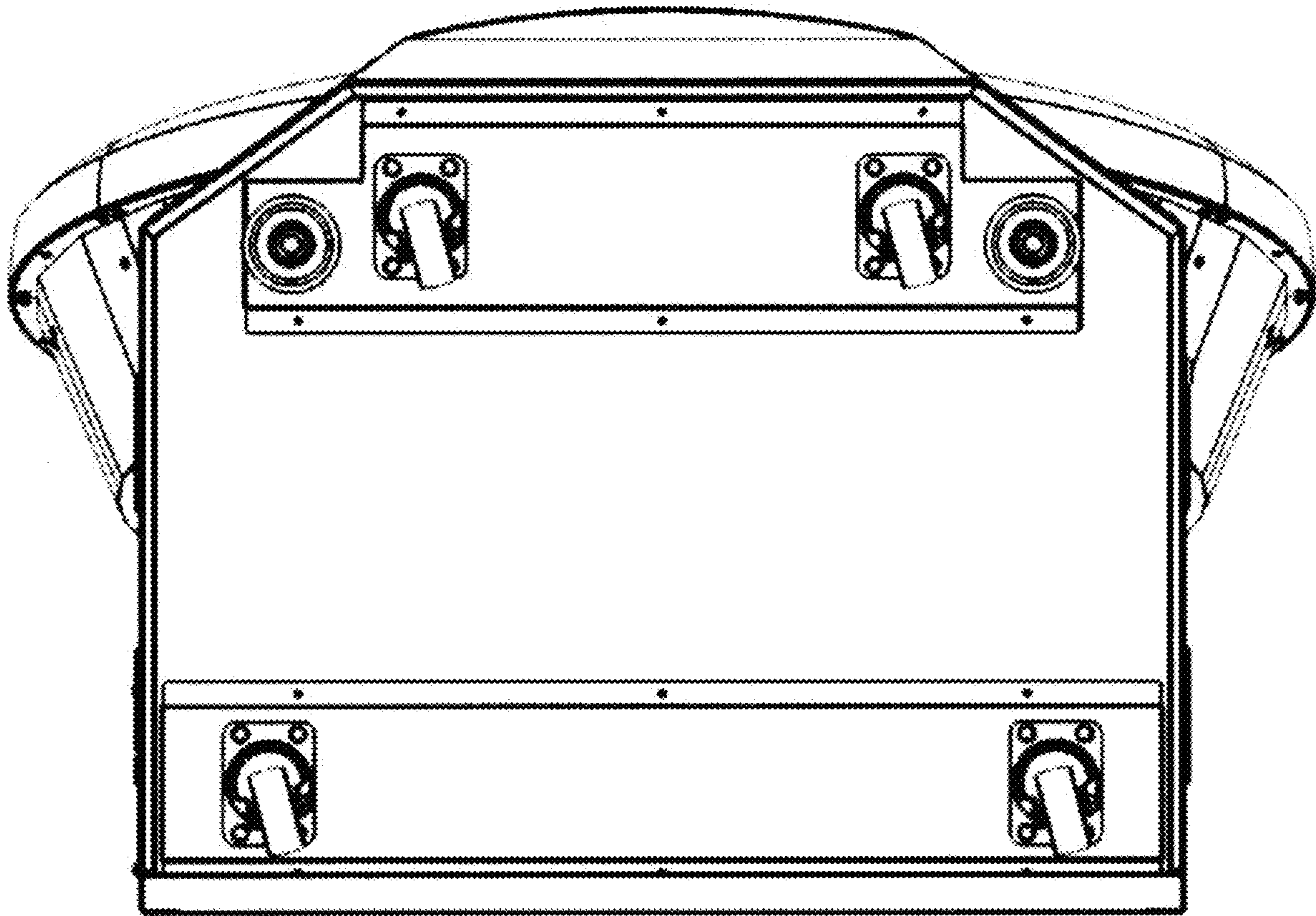
1.3



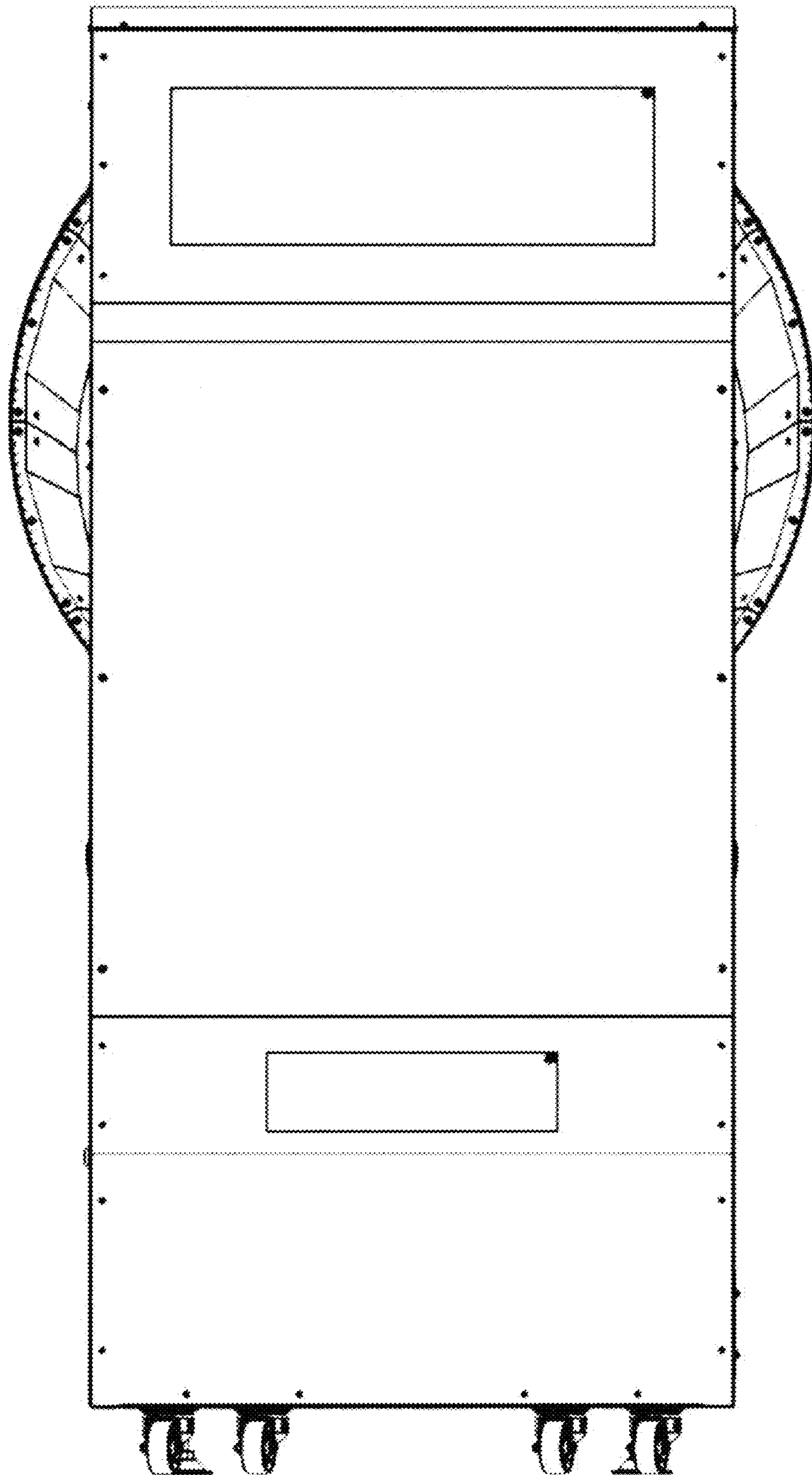
1.4



1.5



1.6



1.7

