



US00D900938S

(12) **United States Design Patent** (10) **Patent No.:** **US D900,938 S**
Lesourd et al. (45) **Date of Patent:** **** Nov. 3, 2020**

(54) **GAMING MACHINE** 6,315,660 B1 * 11/2001 DeMar G07F 17/32
273/138.2
(71) Applicant: **IGT, Las Vegas, NV (US)** 6,685,560 B1 * 2/2004 Hughes G07F 17/32
463/16
(72) Inventors: **Kehl Lesourd, Reno, NV (US); Joel P. Scarpulla, Reno, NV (US); Dylan Nettenstrom, Sparks, NV (US); Curtis Thompson, Reno, NV (US)** D503,951 S 4/2005 Karstens
D508,719 S * 8/2005 de Haas D21/325
D509,256 S 9/2005 Pierce
D513,044 S * 12/2005 Morrison D21/370
D513,523 S * 1/2006 Crouch D21/370
D590,025 S * 4/2009 Fiore D21/370
D591,360 S * 4/2009 Fiore D21/370
(Continued)

(**) Term: **15 Years**

(21) Appl. No.: **29/672,358**

(22) Filed: **Dec. 5, 2018**

(51) **LOC (12) Cl.** **21-03**

(52) **U.S. Cl.**
USPC **D21/369**

(58) **Field of Classification Search**
USPC D21/369, 370, 371, 385, 329, 325, 394,
D21/327, 331; D14/307, 172, 129, 325,
D14/401, 371, 126, 439, 432, 450, 128,
D14/375, 248, 374, 341, 138 G, 127, 240,
D14/137, 344, 480, 214, 125; 463/28,
463/13, 11, 16, 20, 25, 31, 46, 23, 30, 17,
463/36, 29, 42, 34, 32, 35, 19, 21, 22;
273/292, 203, 138.2, 143 R, 142 R, 138.1,
273/143, 142; D19/60; D16/226;
D8/335, 331, 334; D26/141; D7/641;
D99/28
CPC G07F 17/32; G07F 17/34; G07F 17/3211;
G07F 17/3244; G07F 17/3267; G07F
17/3202; A63F 13/12

See application file for complete search history.

(56) **References Cited**

U.S. PATENT DOCUMENTS

D450,096 S 11/2001 Legras et al.
D450,310 S 11/2001 Hedrick et al.

OTHER PUBLICATIONS

“Burning Bar™ Slot Machine”, Available prior to Dec. 5, 2018 (1 pages).

(Continued)

Primary Examiner — Ryan Harvey
(74) *Attorney, Agent, or Firm* — Neal, Gerber & Eisenberg LLP

(57) **CLAIM**

The ornamental design for a gaming machine, as shown and described herein.

DESCRIPTION

FIG. 1 is a front perspective view of a gaming machine of our new design.

FIG. 2 is a front view of the gaming machine of FIG. 1.

FIG. 3 is a rear view of the gaming machine of FIG. 1.

FIG. 4 is a right side view of the gaming machine of FIG. 1.

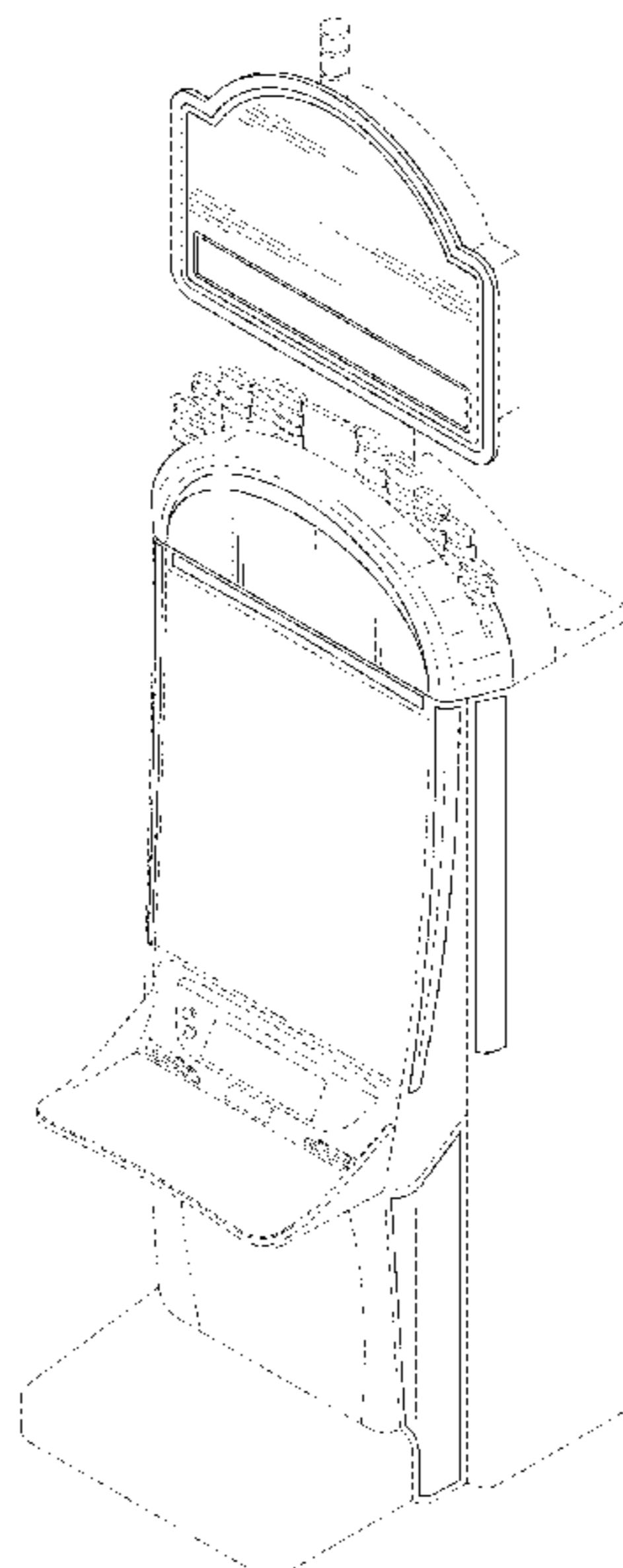
FIG. 5 is a left side view of the gaming machine of FIG. 1.

FIG. 6 is a top view of the gaming machine of FIG. 1; and,

FIG. 7 is a bottom view of the gaming machine of FIG. 1.

The portions shown in phantom are not part of the claimed design.

1 Claim, 7 Drawing Sheets



(56)

References Cited

U.S. PATENT DOCUMENTS

D608,396 S * 1/2010 Wang D21/325
 D624,604 S * 9/2010 Wudtke D21/370
 7,942,732 B2 * 5/2011 Nelson G07F 17/32
 273/138.1
 8,113,947 B2 * 2/2012 Hornik G07F 17/3267
 463/25
 D665,033 S * 8/2012 DeSimone D21/385
 8,303,420 B2 * 11/2012 Chudek G07F 17/3218
 463/46
 D674,023 S 1/2013 Seelig
 D685,435 S 7/2013 Hohman et al.
 D706,359 S * 6/2014 Wudtke D21/369
 8,808,094 B2 * 8/2014 DeSimone G07F 17/3216
 463/30
 D723,626 S 3/2015 Vasquez et al.
 9,659,434 B2 * 5/2017 Bainbridge G07F 17/3218
 D792,520 S * 7/2017 Hohman D21/369
 D803,323 S * 11/2017 Bussey D21/369
 9,972,161 B2 * 5/2018 Bernard G07F 17/3211
 D842,931 S 3/2019 Oehlert et al.
 D875,838 S * 2/2020 Urban D21/370
 D884,080 S * 5/2020 Gibson D21/385
 10,679,459 B2 * 6/2020 Ferren G07F 17/3213
 2019/0287337 A1 * 9/2019 Shiraishi G07F 17/34

2020/0111291 A1 * 4/2020 Pariseau G07F 17/3213
 2020/0111328 A1 * 4/2020 Bland G07F 17/3213
 2020/0168031 A1 * 5/2020 Legras G07F 17/34

OTHER PUBLICATIONS

“Double Dollars™ Slot Machine”, Available prior to Dec. 5, 2018 (1 page).
 “Double Double Gold™ Slot Machine”, Available prior to Dec. 5, 2018 (1 page).
 “Fortune Gong™ Slot Machine”, Available prior to Dec. 5, 2018 (1 page).
 “Golden Eagle™ Slot Machine”, Available prior to Dec. 5, 2018 (1 page).
 “IGT S3KXL V1 Slot Machine”, Available prior to Dec. 5, 2018 (1 page).
 “IGT Side Lights S3KXL V1 Slot Machine”, Available prior to Dec. 5, 2018 (1 pages).
 “Jeopardy™ Slot Machine”, Available prior to Dec. 5, 2018 (1 page).
 “Jumbo™ Slot Machine”, Available prior to Dec. 5, 2018 (1 page).
 “Megabucks™ Slot Machine”, Available prior to Dec. 15, 2018 (1 page).
 “Money Mad Martians™ Slot Machine”, Available prior to Dec. 5, 2018 (1 page).
 “Triple Stars™ Slot Machine”, Available prior to Dec. 5, 2018 (1 page).

* cited by examiner

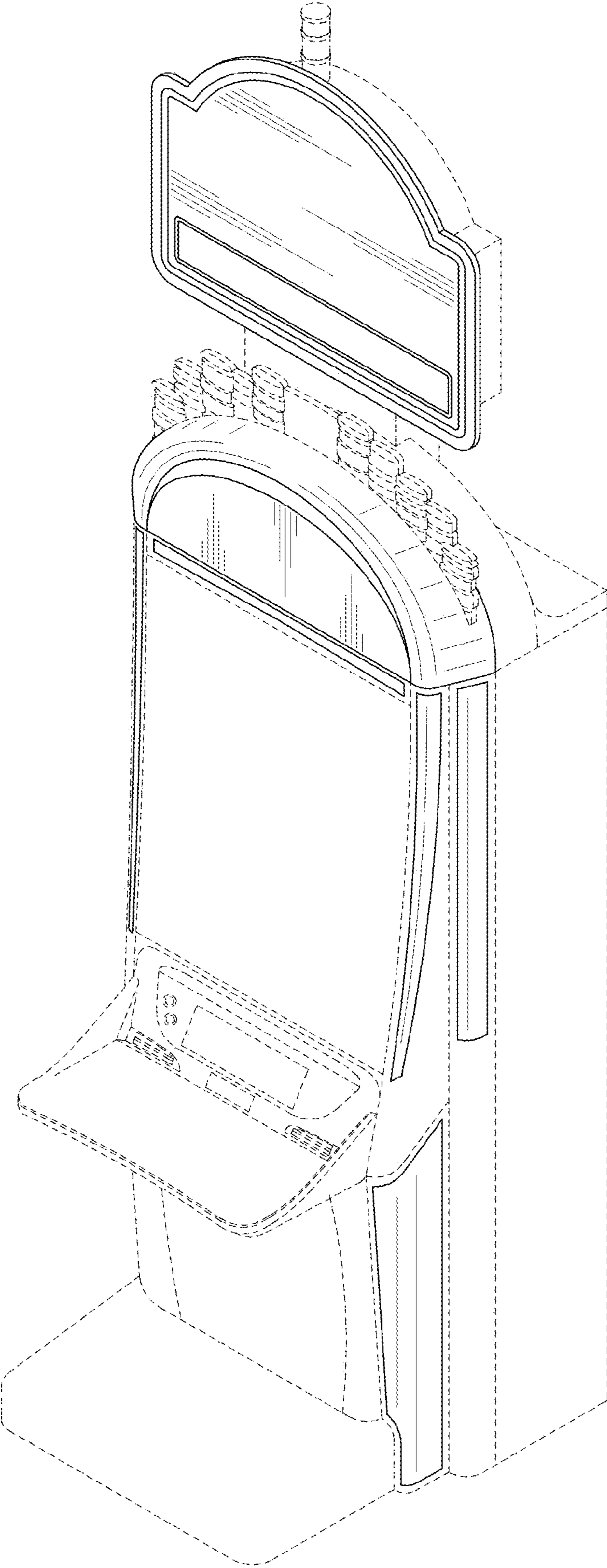


FIG. 1

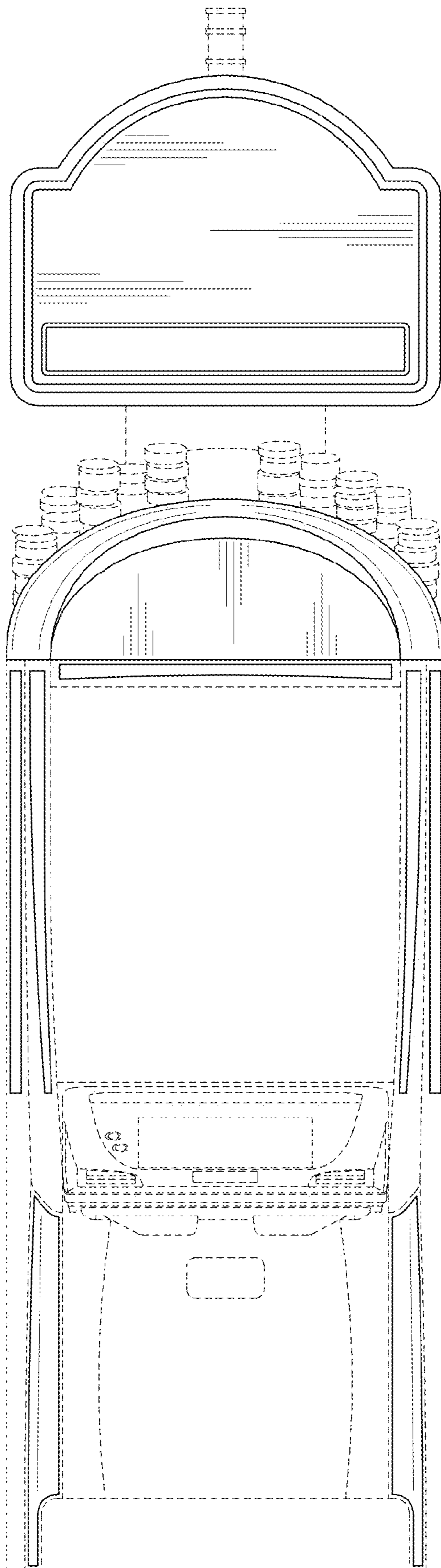


FIG. 2

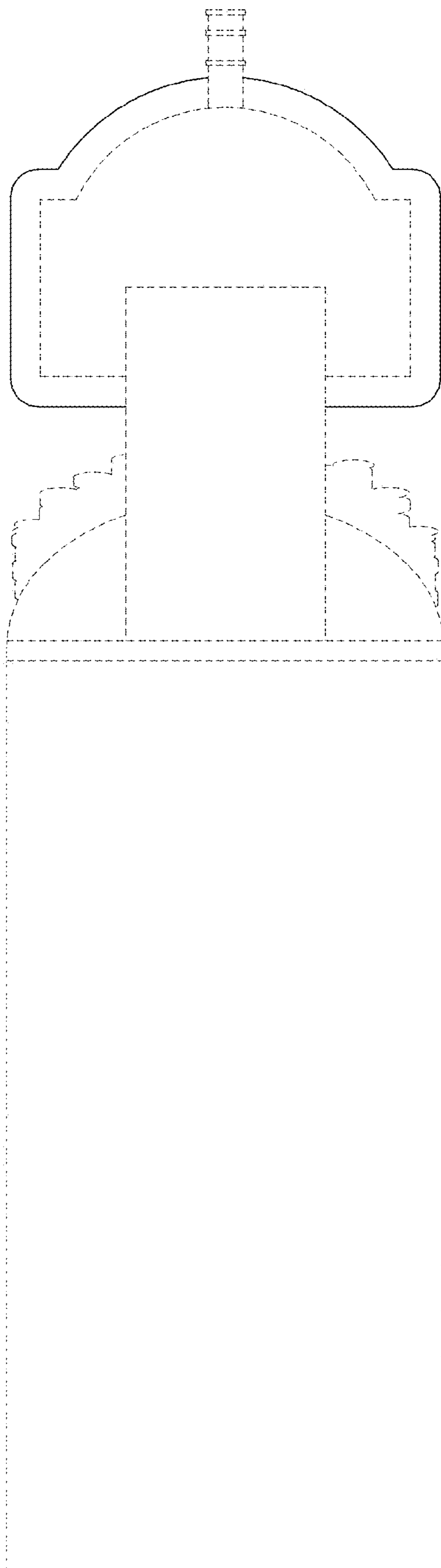


FIG. 3

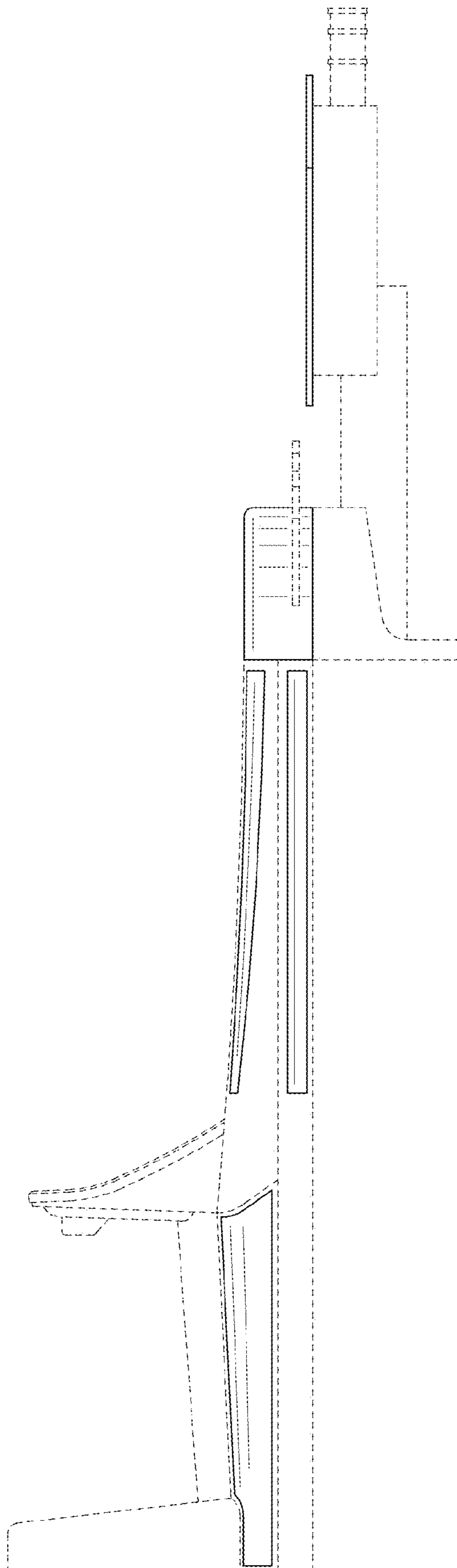


FIG. 4

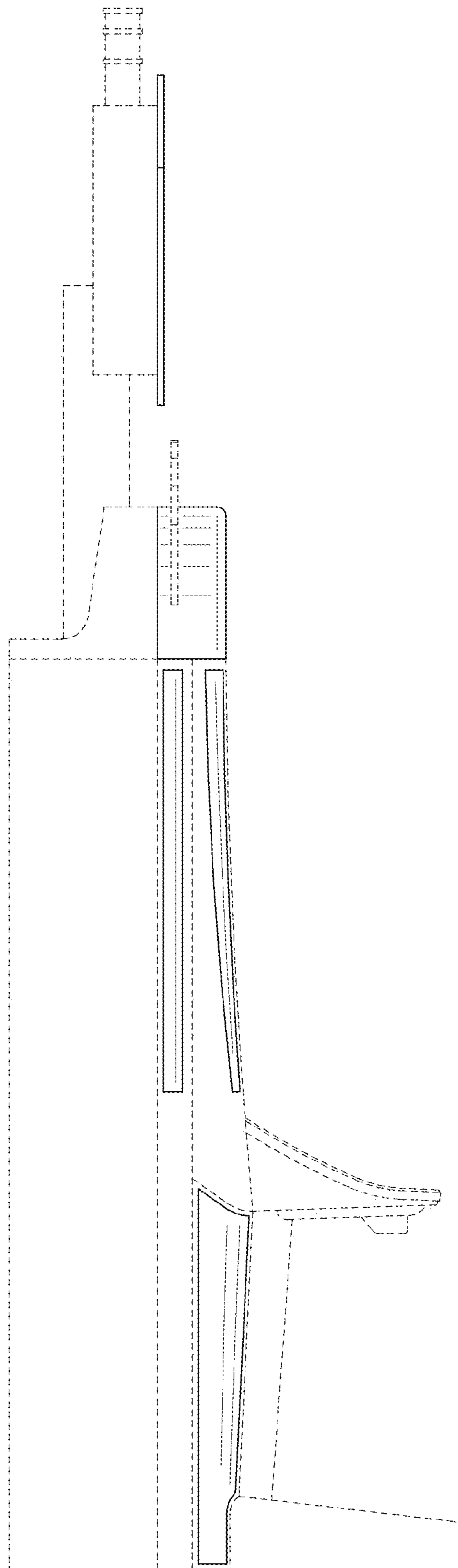


FIG. 5

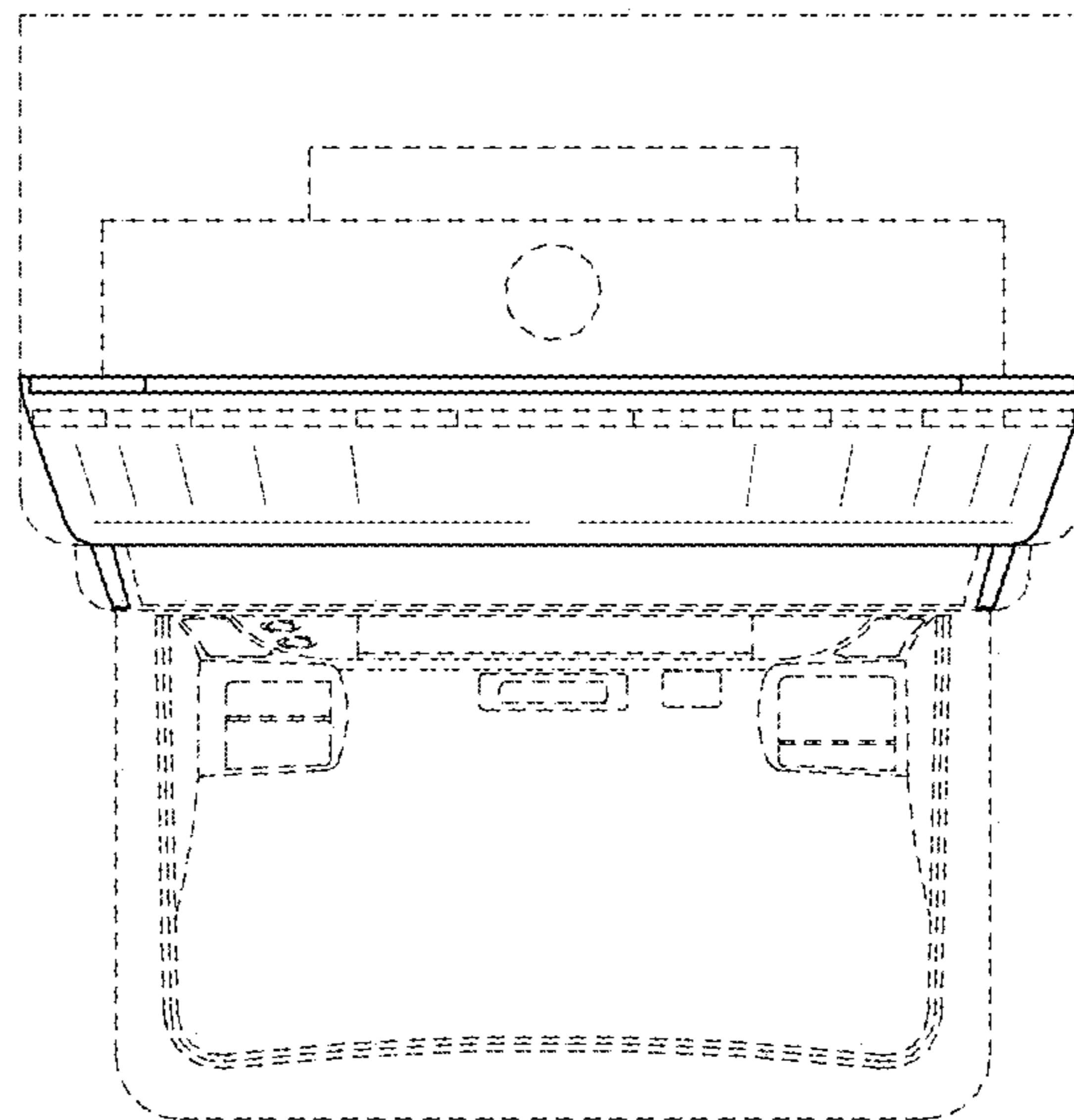


FIG. 6

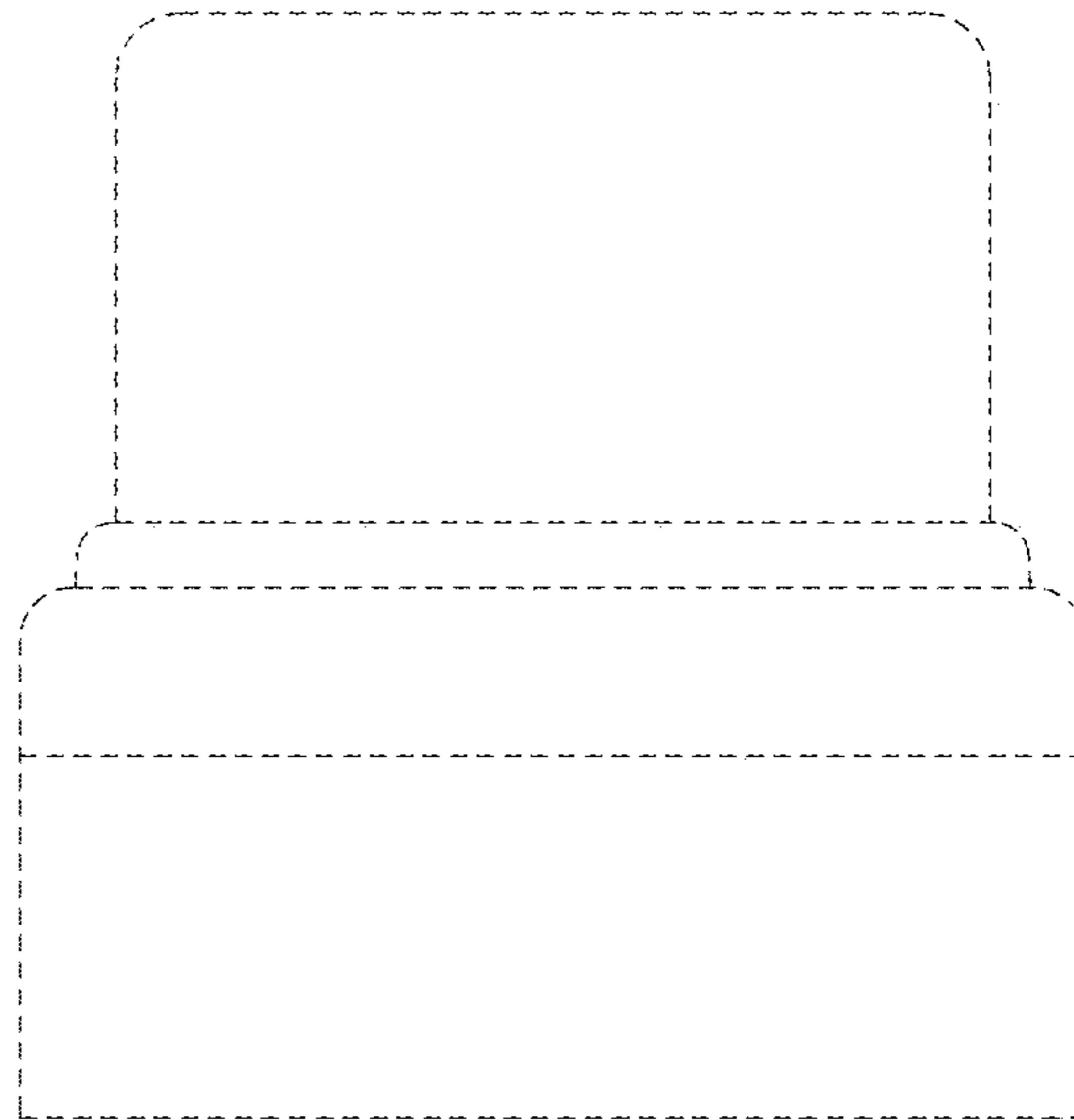


FIG. 7