



US00D900937S

(12) **United States Design Patent** (10) **Patent No.:** **US D900,937 S**
Legras (45) **Date of Patent:** **** Nov. 3, 2020**

(54) **GAMING MACHINE HAVING A CYLINDRICAL DISPLAY**
(71) Applicant: **IGT, Las Vegas, NV (US)**
(72) Inventor: **Jean-Pierre Legras, Carson City, NV (US)**
(73) Assignee: **IGT, Las Vegas, NV (US)**
(**) Term: **15 Years**
(21) Appl. No.: **29/666,250**
(22) Filed: **Oct. 11, 2018**
(51) **LOC (12) Cl.** **21-03**
(52) **U.S. Cl.**
USPC **D21/369**
(58) **Field of Classification Search**
USPC D21/369, 370, 371, 385, 329, 325, 394, D21/327, 331; D14/307, 172, 129, 325, D14/401, 371, 126, 439, 432, 450, 128, D14/375, 248, 374, 341, 138 G, 127, 240, D14/137, 344, 480, 214, 125; 463/28, 463/13, 11, 16, 20, 25, 31, 46, 23, 30, 17, 463/36, 29, 42, 34, 32, 35, 19, 21, 22; 273/292, 203, 138.2, 143 R, 142 R, 138.1, 273/143, 142; D19/60; D16/226; D8/335, 331, 334; D26/141; D7/641; D99/28
CPC G07F 17/32; G07F 17/34; G07F 17/3211; G07F 17/3244; G07F 17/3267; G07F 17/3202; A63F 13/12
See application file for complete search history.

(56) **References Cited**
U.S. PATENT DOCUMENTS
D340,954 S * 11/1993 Stefan D21/331
5,257,696 A * 11/1993 Greene A45D 42/02
132/304

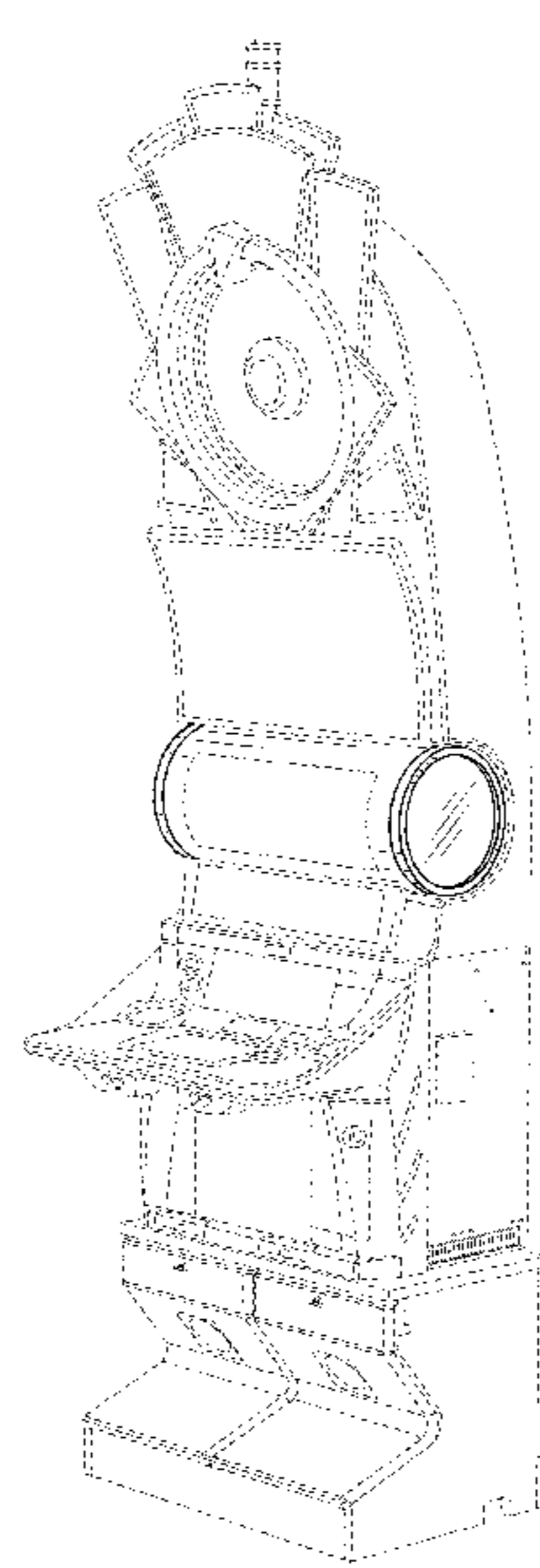
5,765,683 A * 6/1998 Starkle A45D 40/18
206/235
D404,084 S * 1/1999 Hedrick D21/370
D406,615 S * 3/1999 Griswold D21/370
6,129,355 A * 10/2000 Hahn G07F 17/3213
273/138.1
D442,641 S * 5/2001 Seelig D21/370
D460,123 S * 7/2002 Seelig D21/370
D467,284 S * 12/2002 Yamanaka D21/370
D477,216 S * 7/2003 Gronwall D9/727
D523,908 S 6/2006 Hedrick et al.
D529,965 S 10/2006 Hedrick et al.
7,153,209 B2 12/2006 Rothkranz et al.
7,278,638 B2 10/2007 Nordman
(Continued)

Primary Examiner — Ryan Harvey
(74) *Attorney, Agent, or Firm* — Neal, Gerber & Eisenberg LLP

(57) **CLAIM**
The ornamental design for a gaming machine having a cylindrical display, as shown and described herein.

DESCRIPTION
FIG. 1 is a front perspective view of a gaming machine having a cylindrical display of my new design.
FIG. 2 is a front view of the gaming machine having a cylindrical display of FIG. 1.
FIG. 3 is a rear view of the gaming machine having a cylindrical display of FIG. 1.
FIG. 4 is a right side view of the gaming machine having a cylindrical display of FIG. 1.
FIG. 5 is a left side view of the gaming machine having a cylindrical display of FIG. 1.
FIG. 6 is a top view of the gaming machine having a cylindrical display of FIG. 1; and,
FIG. 7 is a bottom view of the gaming machine having a cylindrical display of FIG. 1.
The portions shown in phantom are not part of the claimed design.

1 Claim, 7 Drawing Sheets



(56)

References Cited

U.S. PATENT DOCUMENTS

7,335,103	B2	2/2008	Seelig et al.	
7,371,172	B2	5/2008	Inoue	
7,614,950	B2	11/2009	Rothkranz	
7,942,417	B2 *	5/2011	Smith G07F 17/34 273/138.2
8,444,477	B2	5/2013	Inoue	
9,027,927	B2	5/2015	Smith	
D774,822	S *	12/2016	Broen D7/307
D844,711	S *	4/2019	Weiss D21/370
D850,537	S *	6/2019	Urban D21/370

* cited by examiner

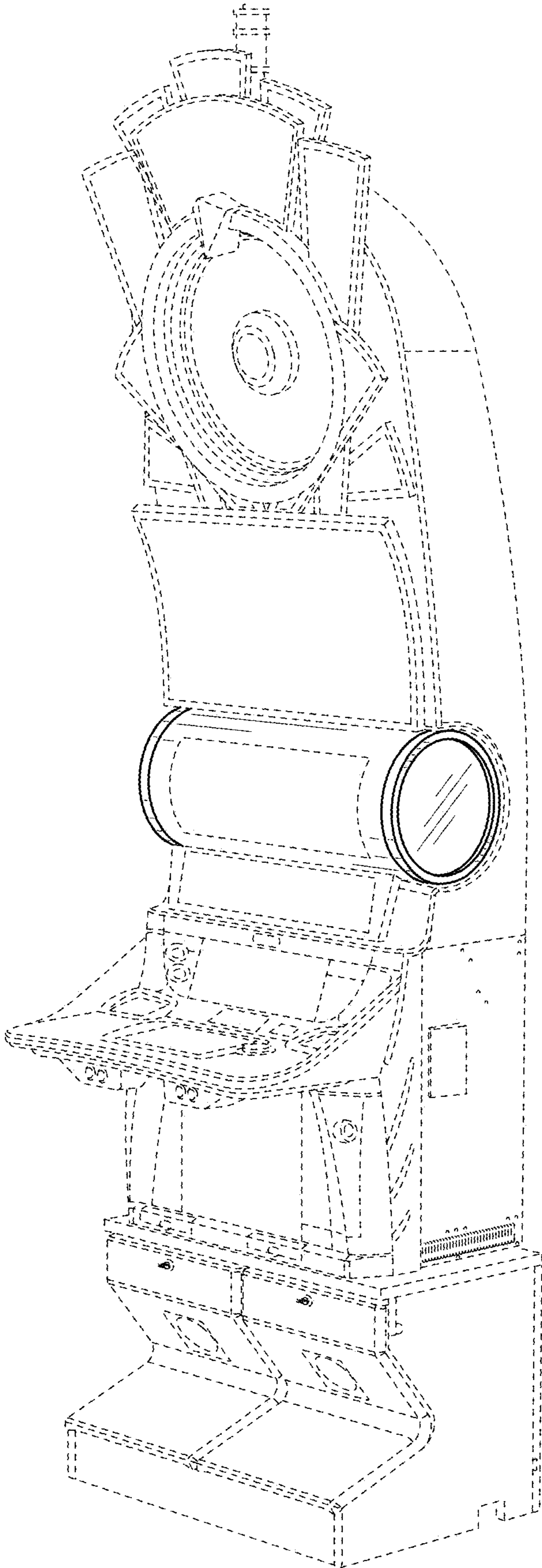


FIG. 1

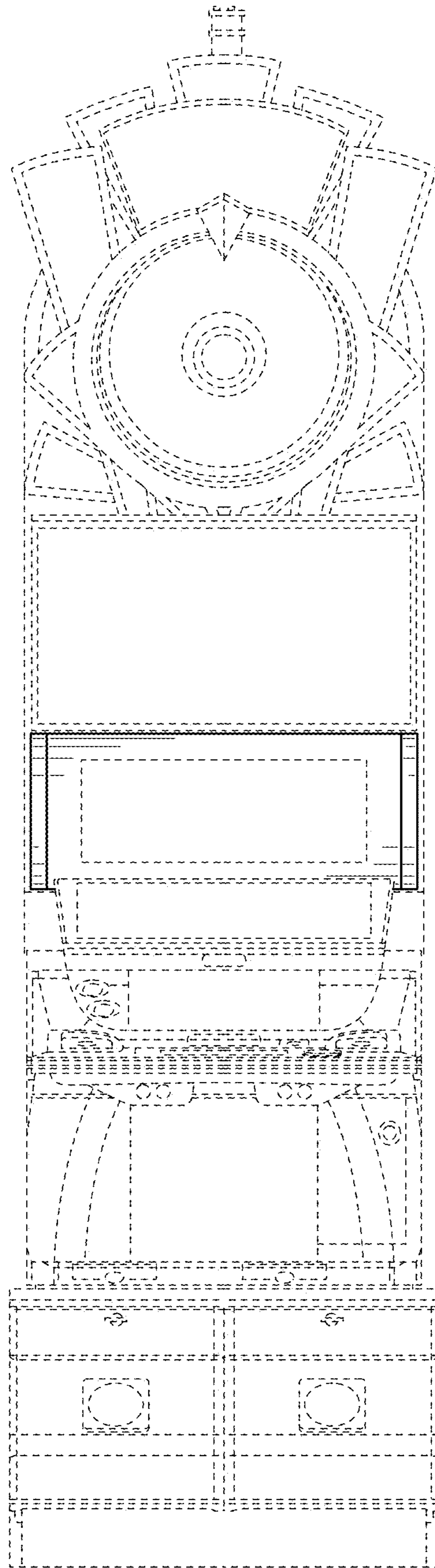


FIG. 2

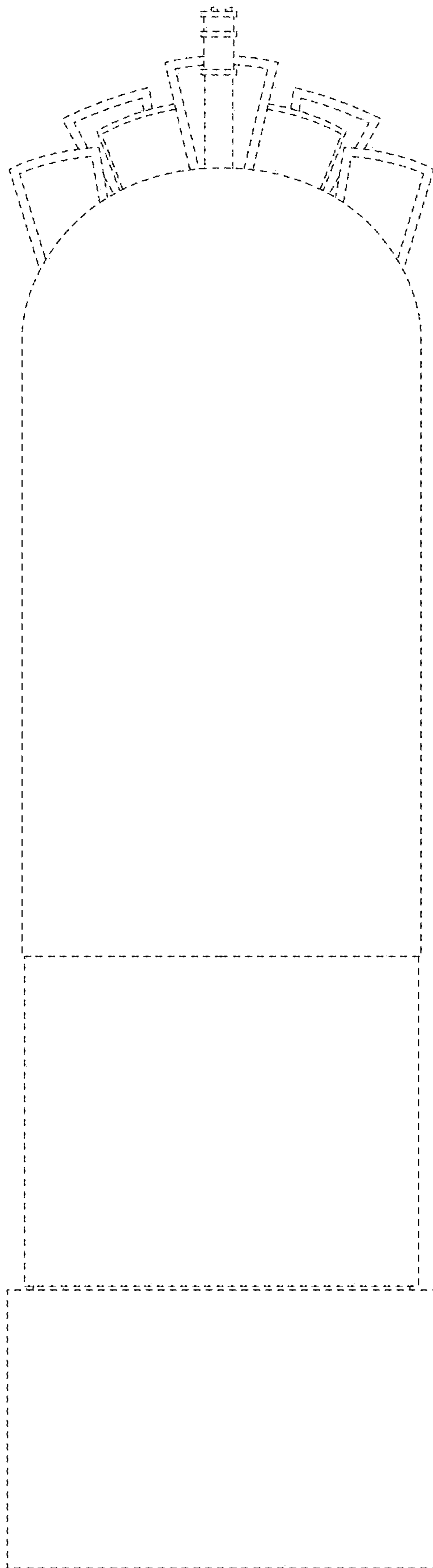


FIG. 3

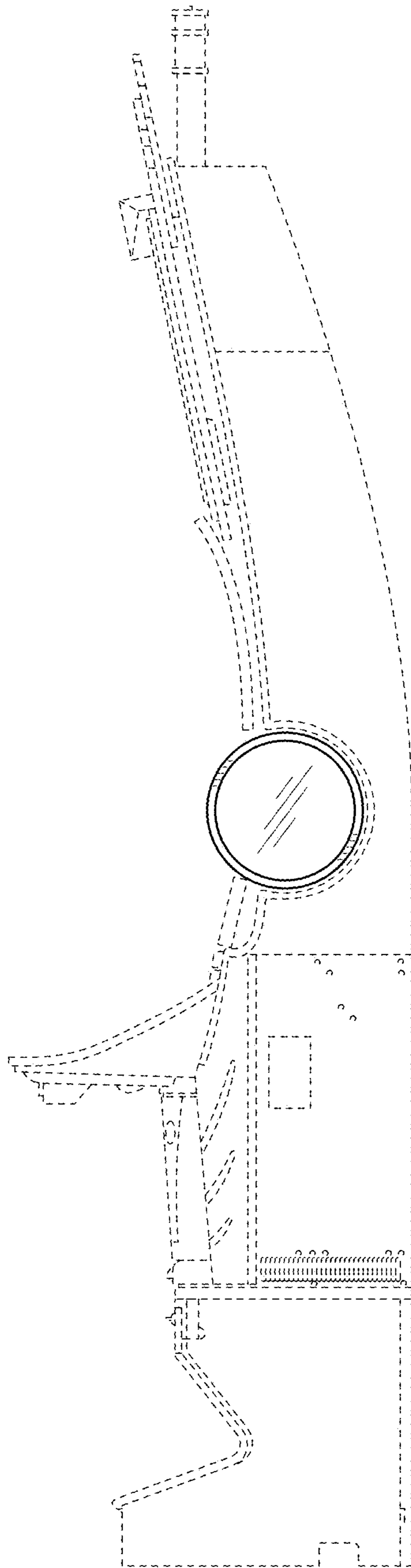


FIG. 4

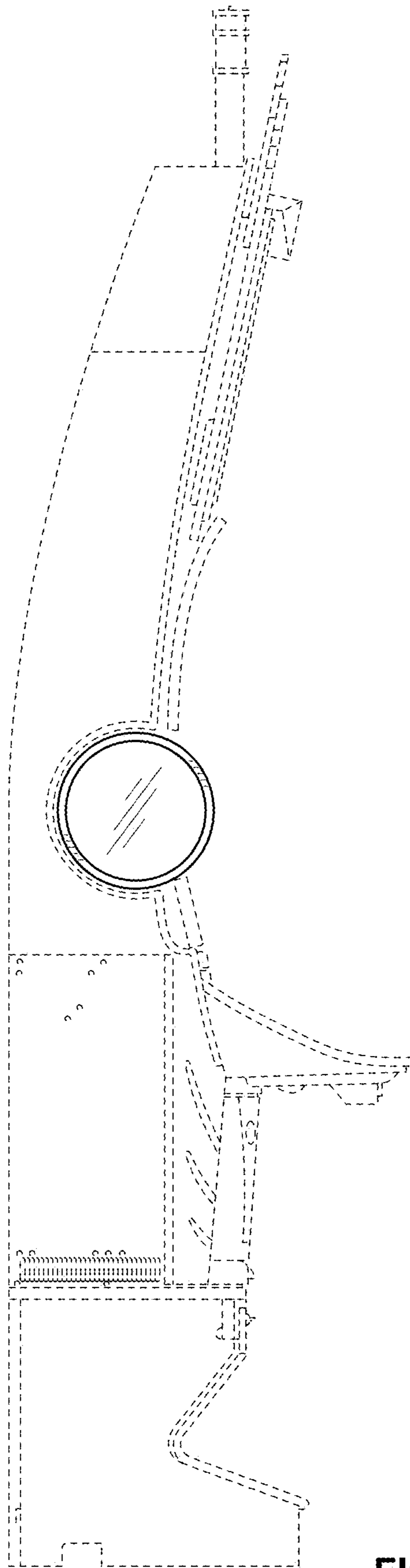


FIG. 5

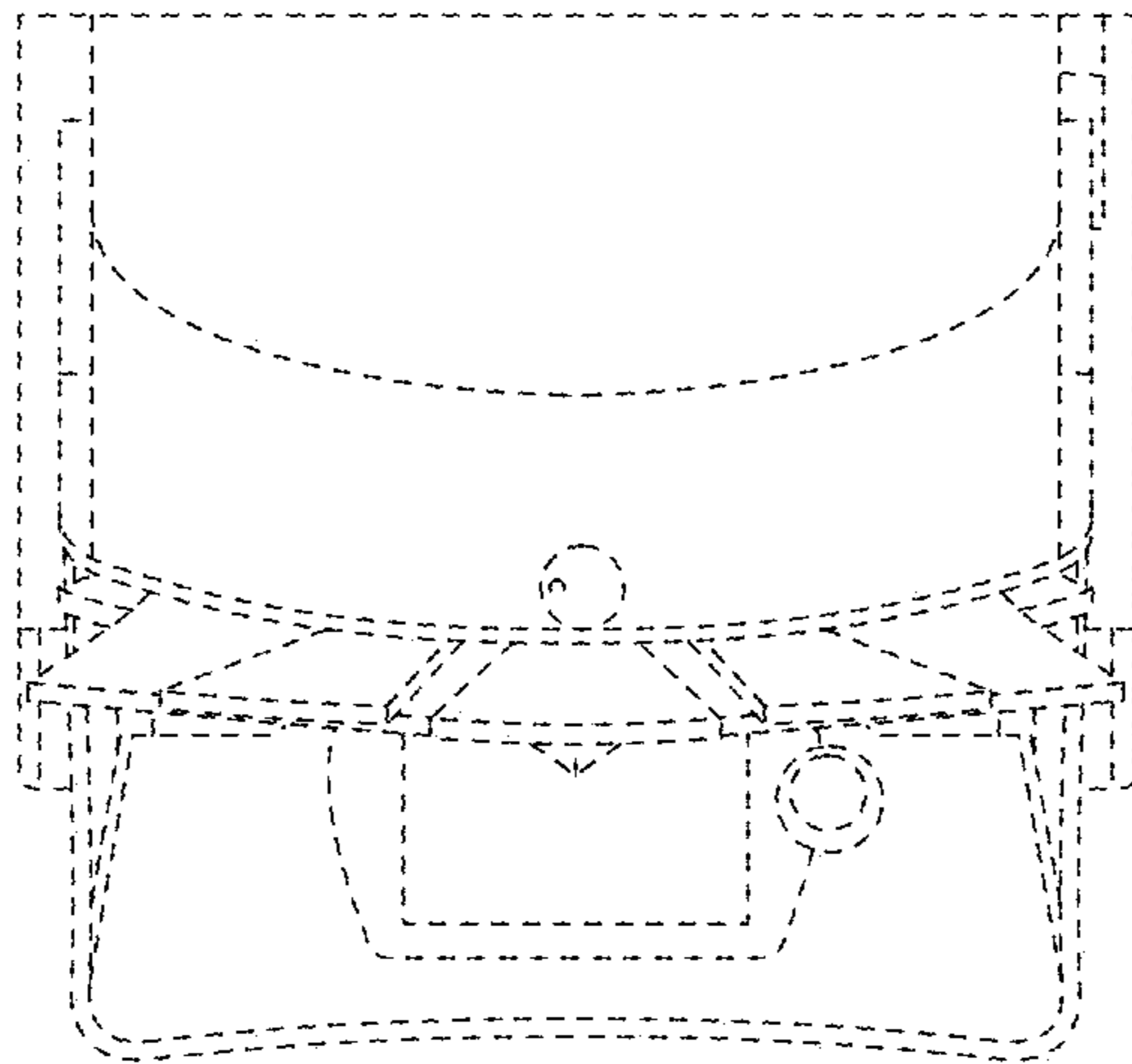


FIG. 6

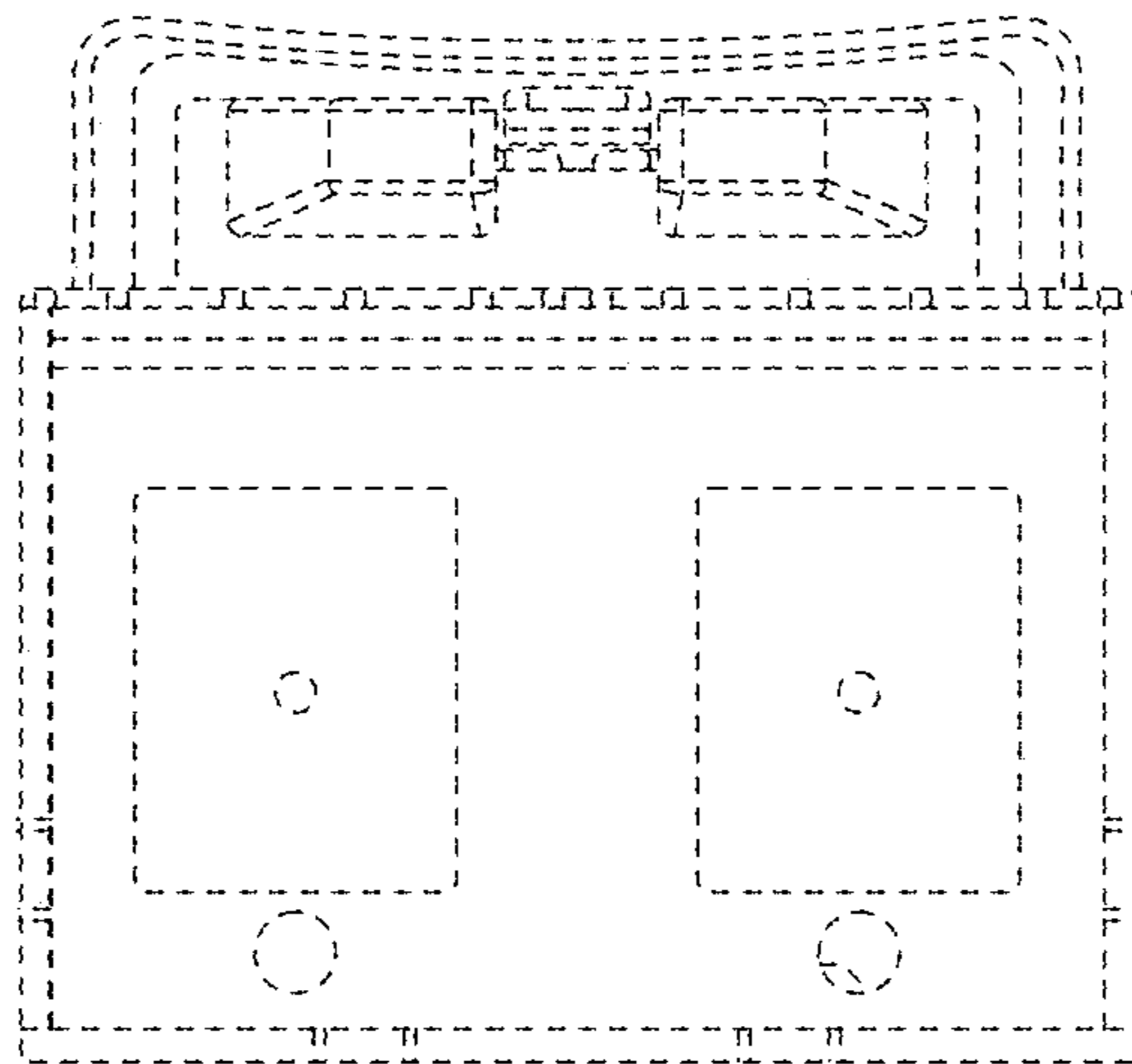


FIG. 7