

US00D900936S

(12) **United States Design Patent** (10) **Patent No.:** **US D900,936 S**
Santana et al. (45) **Date of Patent:** **** Nov. 3, 2020**

(54) **GAME CONTROLLER**
(71) Applicant: **Gameress, LLC**, Yonkers, NY (US)
(72) Inventors: **Jasdomin Kiabette Santana**, Yonkers, NY (US); **Alex Thompson**, Sheffield (GB); **Daniel Taylor**, Sheffield (GB); **Joshua Palit**, Sheffield (GB)
(73) Assignee: **GAMERESS, LLC**, Yonkers, NY (US)
(**) Term: **15 Years**
(21) Appl. No.: **29/702,565**
(22) Filed: **Aug. 20, 2019**
(51) **LOC (12) Cl.** **21-01**
(52) **U.S. Cl.**
USPC **D21/333**
(58) **Field of Classification Search**
USPC D21/324–29, 330, 331, 333, 341, 342, D21/349, 386; D14/174, 177, 190, 203.5, D14/218, 250, 299, 322, 341, 345, 346, D14/353, 354, 356, 374, 375, 376, D14/387–401, 421, 432, 440, 443, 463, D14/474, 483, 493, 496, 511; D22/100, D22/103–105; D13/162, 162.1, 168; D10/78, 98, 103
CPC A45C 13/00; A45C 13/001; A45C 13/002; A63F 13/10; A63F 13/98; A63F 13/24; A63F 9/0291; A63F 13/06; G06F 3/0338; G06F 3/014; G06F 3/0346; G06T 7/246
See application file for complete search history.

(56) **References Cited**
U.S. PATENT DOCUMENTS

D773,561 S * 12/2016 Kujawski D21/333
D794,129 S * 8/2017 Kujawski D21/333
D794,717 S * 8/2017 Kujawski D21/333

D795,351 S * 8/2017 Chatterjee D21/333
D795,960 S * 8/2017 Chatterjee D21/333
D795,961 S * 8/2017 Chatterjee D21/333
D798,954 S * 10/2017 Chatterjee D21/333
D799,599 S * 10/2017 Kujawski D21/333
D799,600 S * 10/2017 Chatterjee D21/333
D816,170 S * 4/2018 Chatterjee D21/333
D847,265 S * 4/2019 Chatterjee D21/333
D847,903 S * 5/2019 Chatterjee D21/333
D847,904 S * 5/2019 Chatterjee D21/333
D850,447 S * 6/2019 Fulghum D14/401
D854,619 S * 7/2019 Konishi D21/333
D855,703 S * 8/2019 Chatterjee D21/333
D867,458 S * 11/2019 Strahle D21/333
D872,184 S * 1/2020 Chatterjee D21/333
2016/0008711 A1 * 1/2016 Hackney A63F 13/24
463/36
2016/0361635 A1 * 12/2016 Schmitz A63F 13/218
2016/0361639 A1 * 12/2016 Schmitz A63F 13/218

* cited by examiner

Primary Examiner — Sandra Snapp
Assistant Examiner — Mehri Bajoul
(74) *Attorney, Agent, or Firm* — Leason Ellis LLP

(57) **CLAIM**

The ornamental design for a game controller, as shown and described.

DESCRIPTION

FIG. 1 is a top and side perspective view of a game controller showing our new design;
FIG. 2 is a top plan view thereof;
FIG. 3 is a right side elevation view thereof;
FIG. 4 is a left side elevation view thereof;
FIG. 5 is a bottom plan view thereof;
FIG. 6 is a rear elevation view thereof; and,
FIG. 7 is a front elevation view thereof.
The broken lines in the drawings depict portions of the game controller and form no part of the claimed design.

1 Claim, 7 Drawing Sheets



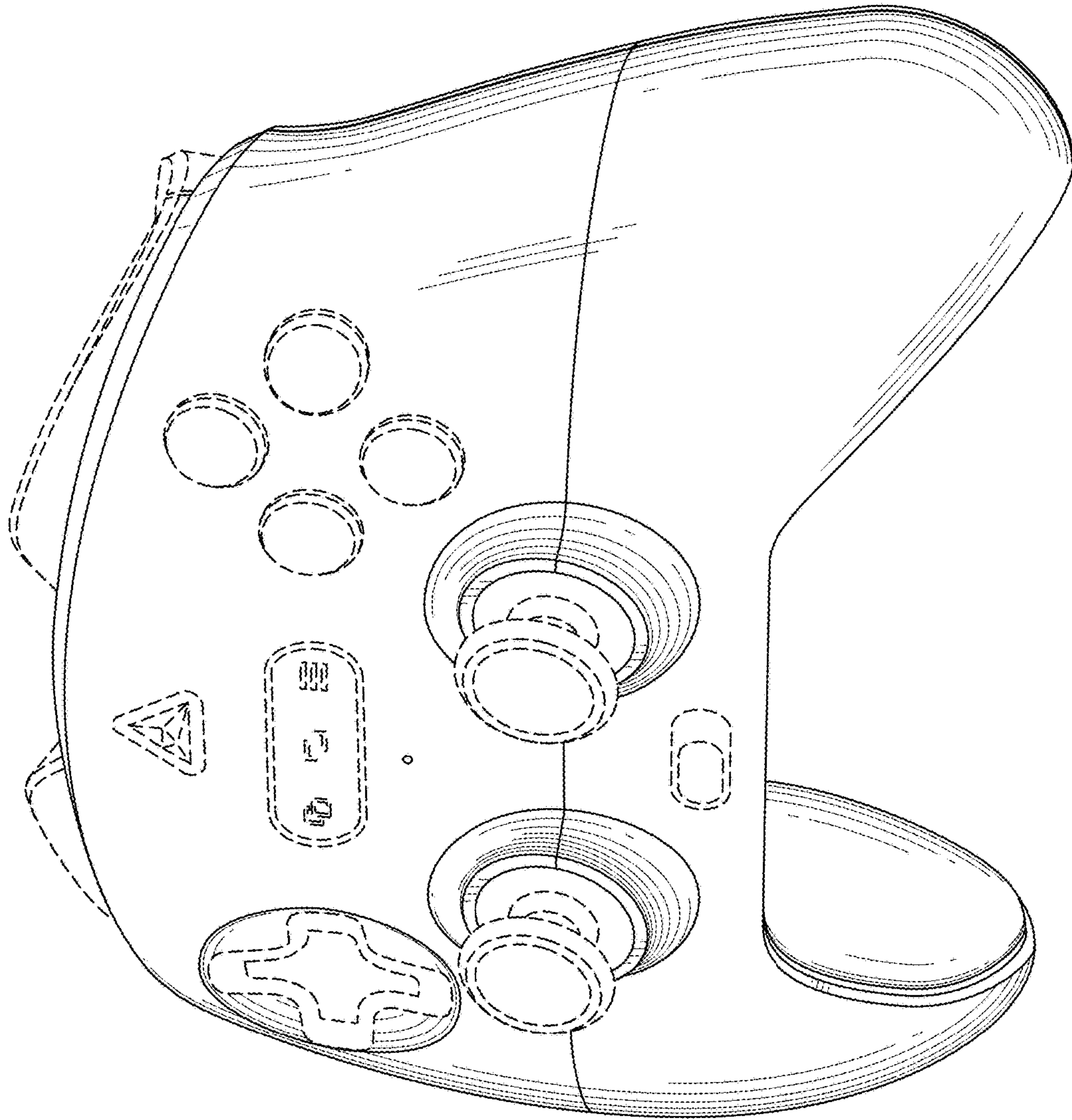


FIG. 1

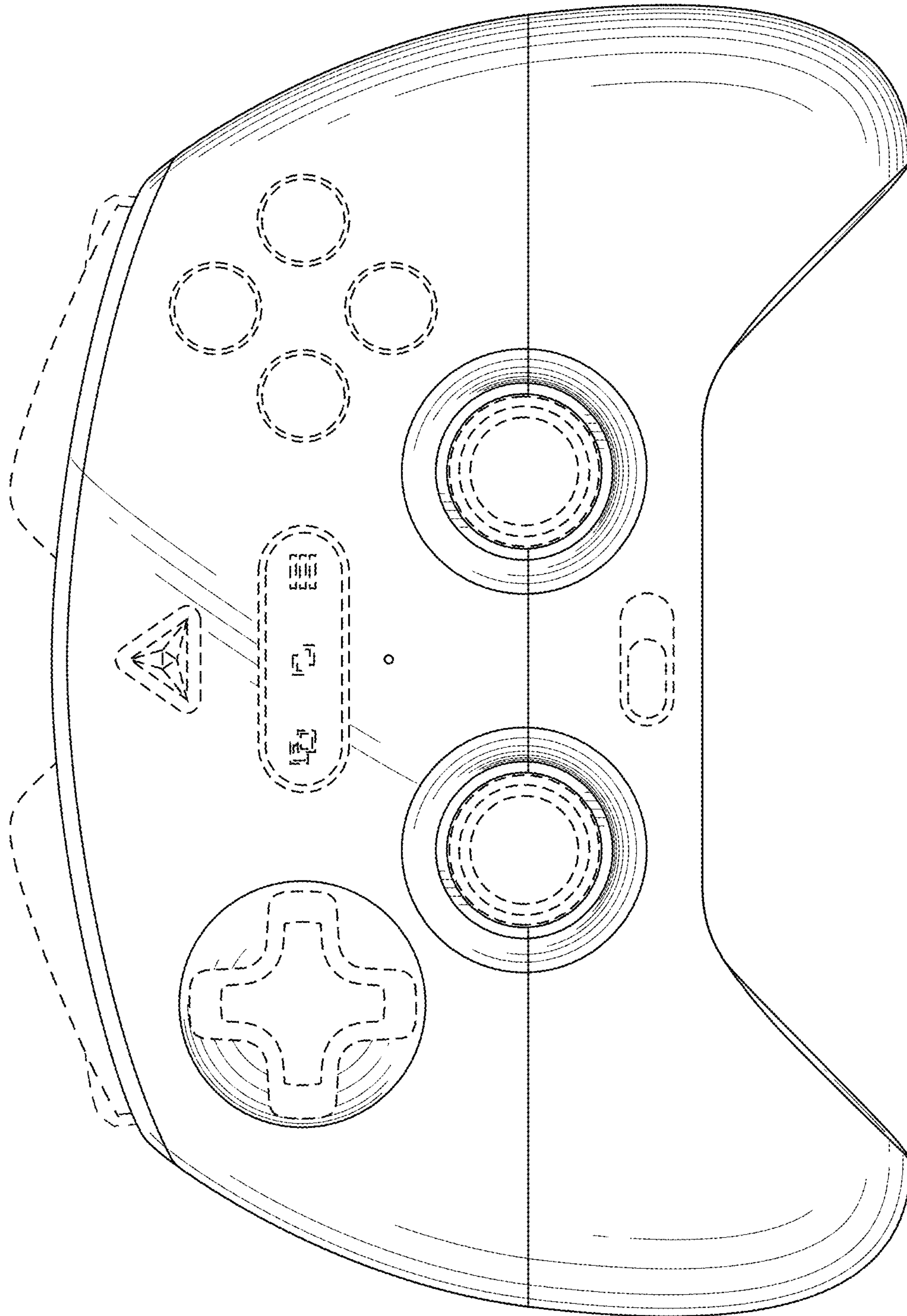


FIG. 2

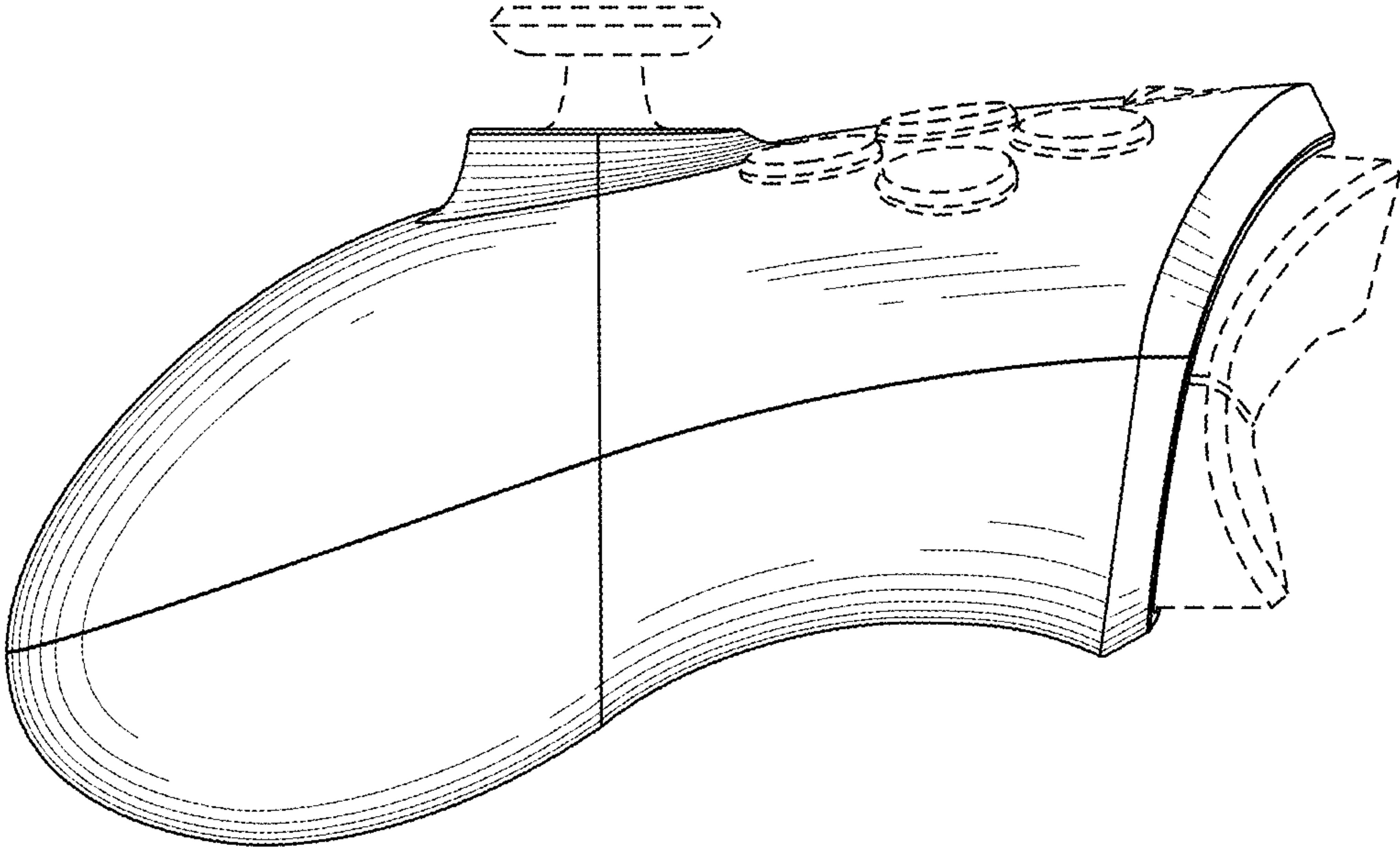


FIG. 3

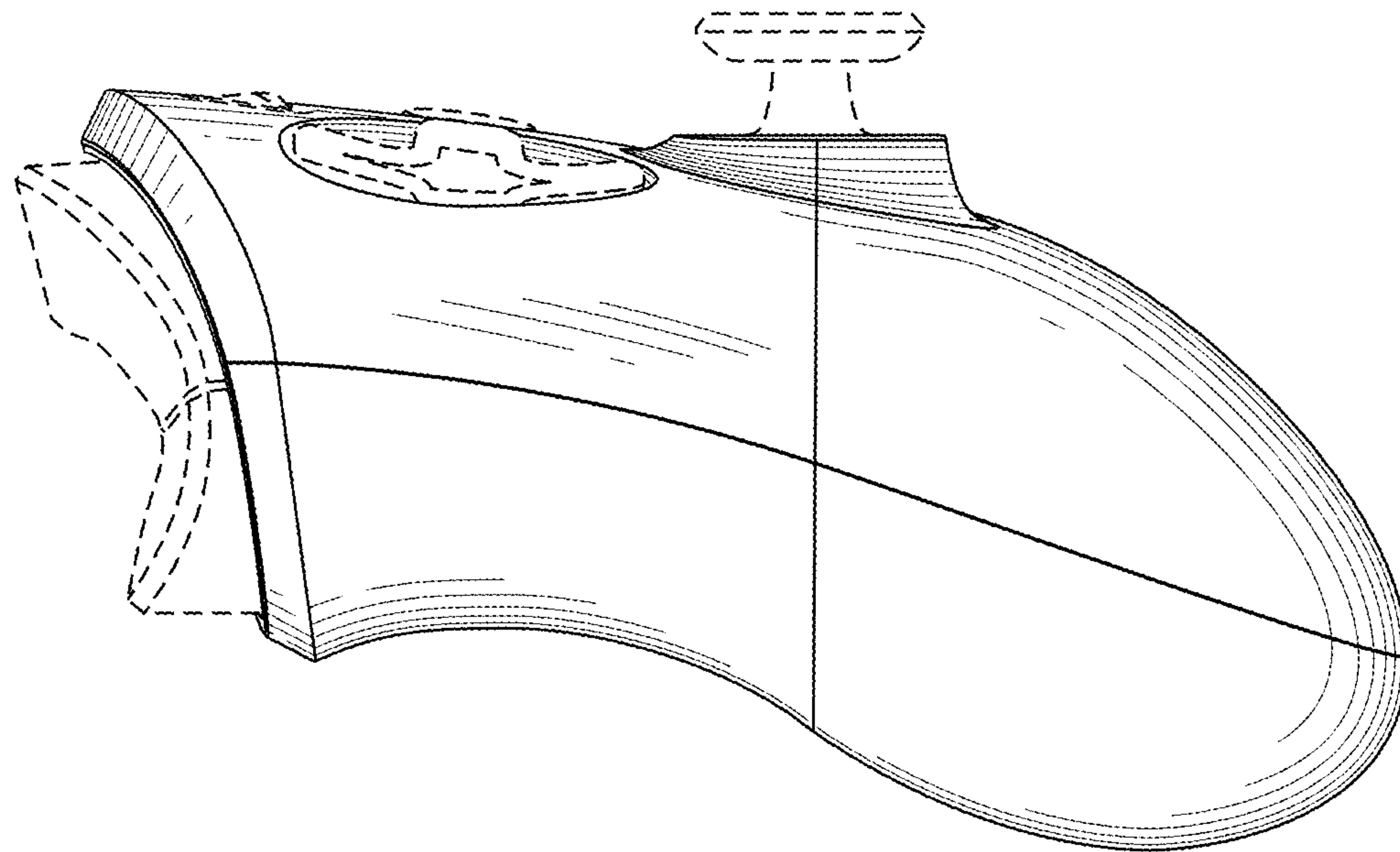


FIG. 4

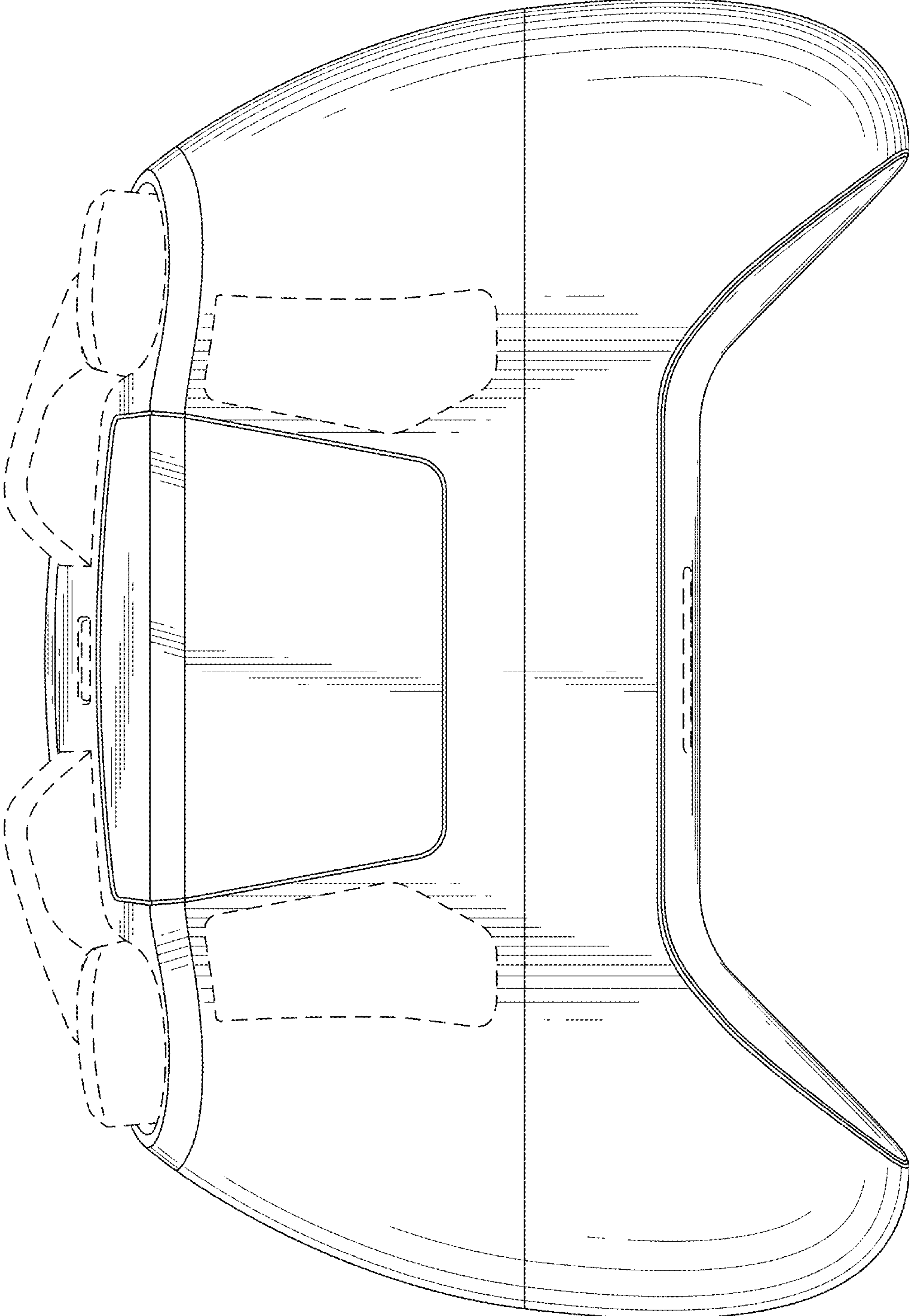


FIG. 5

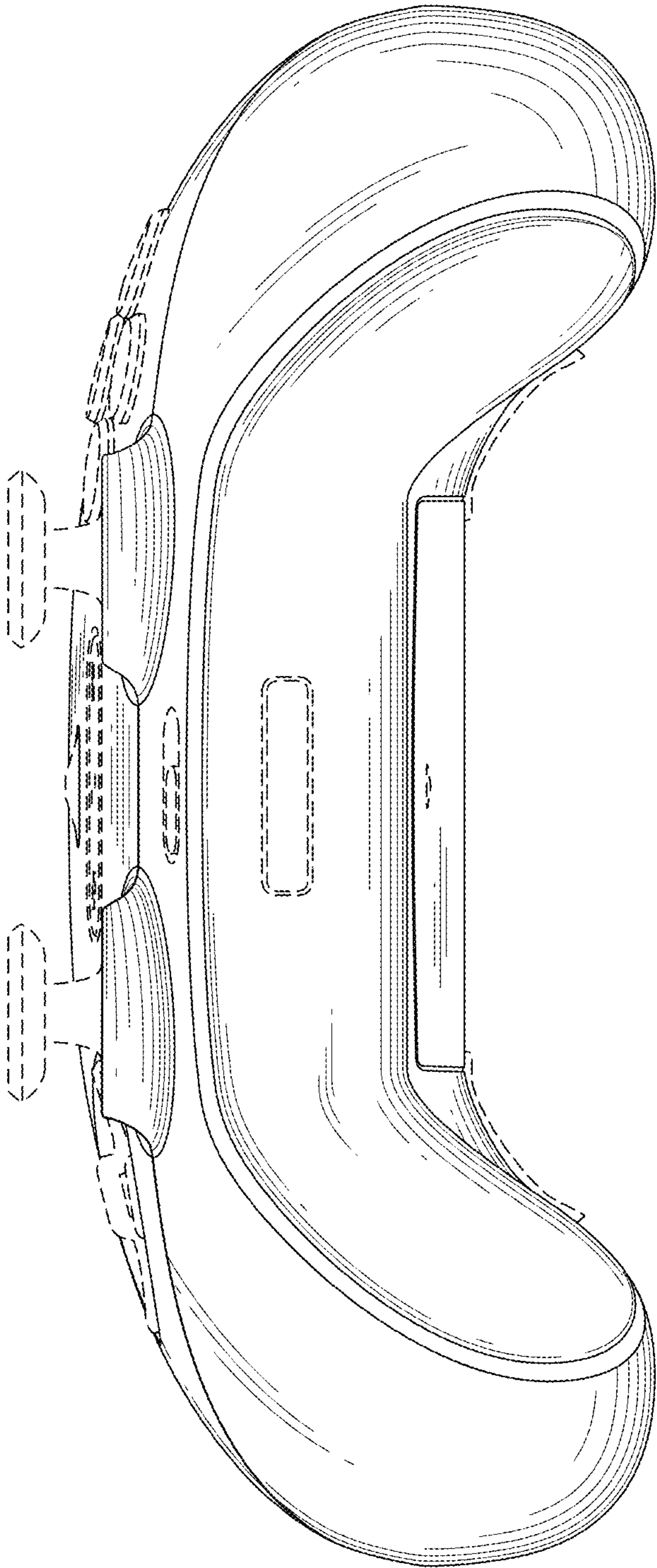


FIG. 6

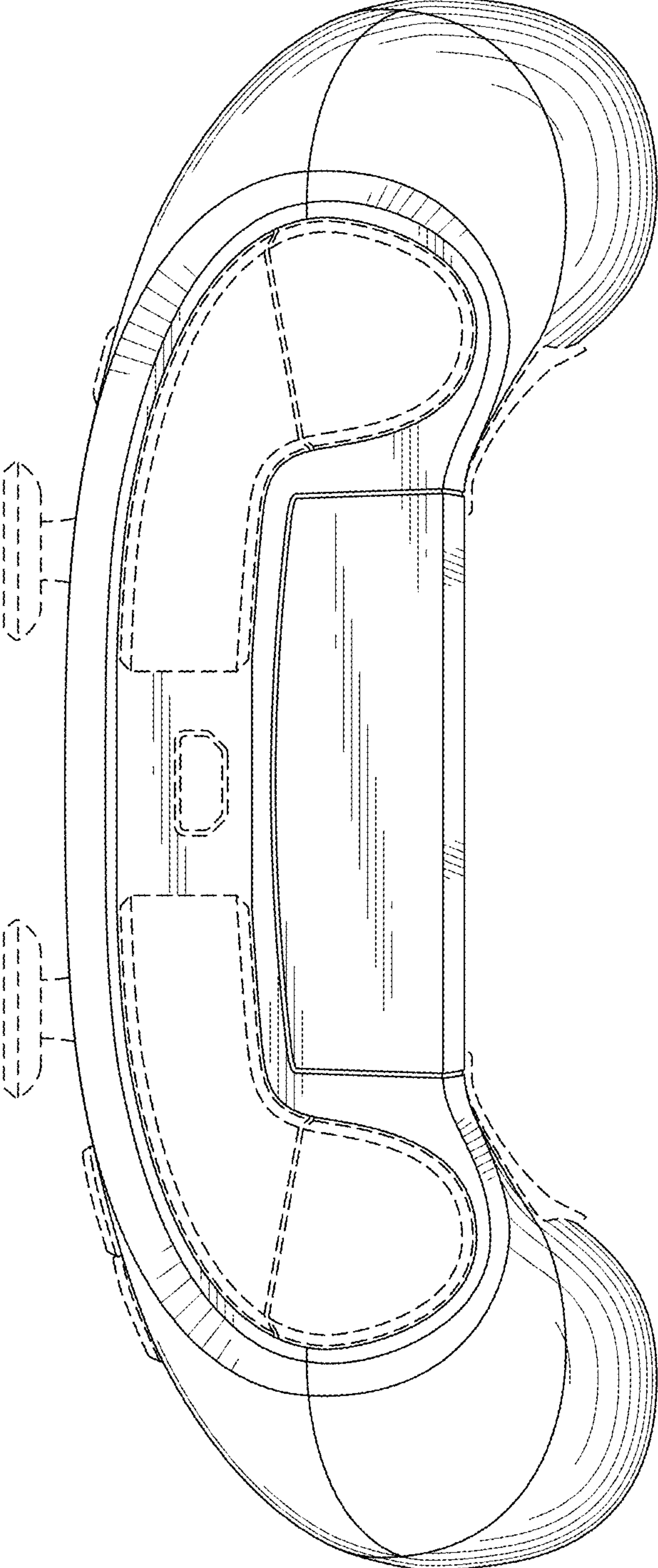


FIG. 7