



US00D900935S

(12) **United States Design Patent**
Lo et al.

(10) **Patent No.:** **US D900,935 S**
(45) **Date of Patent:** **** Nov. 3, 2020**

(54) **GAME CONTROLLER**

(71) Applicants: **Hung-Wen Lo**, Taipei (TW); **Po-Yin Chen**, Taipei (TW); **Yuan-Shie Chang**, Taipei (TW)

(72) Inventors: **Hung-Wen Lo**, Taipei (TW); **Po-Yin Chen**, Taipei (TW); **Yuan-Shie Chang**, Taipei (TW)

(73) Assignee: **COMPAL ELECTRONICS, INC.**, Taipei (TW)

(**) Term: **15 Years**

(21) Appl. No.: **29/680,770**

(22) Filed: **Feb. 20, 2019**

(30) **Foreign Application Priority Data**

Sep. 3, 2018 (TW) 107305211

(51) **LOC (12) Cl.** **21-01**

(52) **U.S. Cl.**
USPC **D21/333**

(58) **Field of Classification Search**
USPC D21/434, 435, 504, 529, 570, 743, 744,
D21/749, 759, 760, 768, 771, 782, 787;
(Continued)

(56) **References Cited**

U.S. PATENT DOCUMENTS

1,335,613 A * 3/1920 Selle F16B 35/041
411/368
5,102,129 A * 4/1992 Roberts A63B 5/22
273/239

(Continued)

OTHER PUBLICATIONS

“ISO Hexagon” posted Sep. 23, 2018[online],[retrived Feb. 3, 2020], from internet: https://www.etsy.com/listing/550218230/iso-hexagon-carpet-puik-design-amsterdam.*

Primary Examiner — Sandra S Snapp
Assistant Examiner — Mehri Bajoul
(74) *Attorney, Agent, or Firm* — JCIPRNET

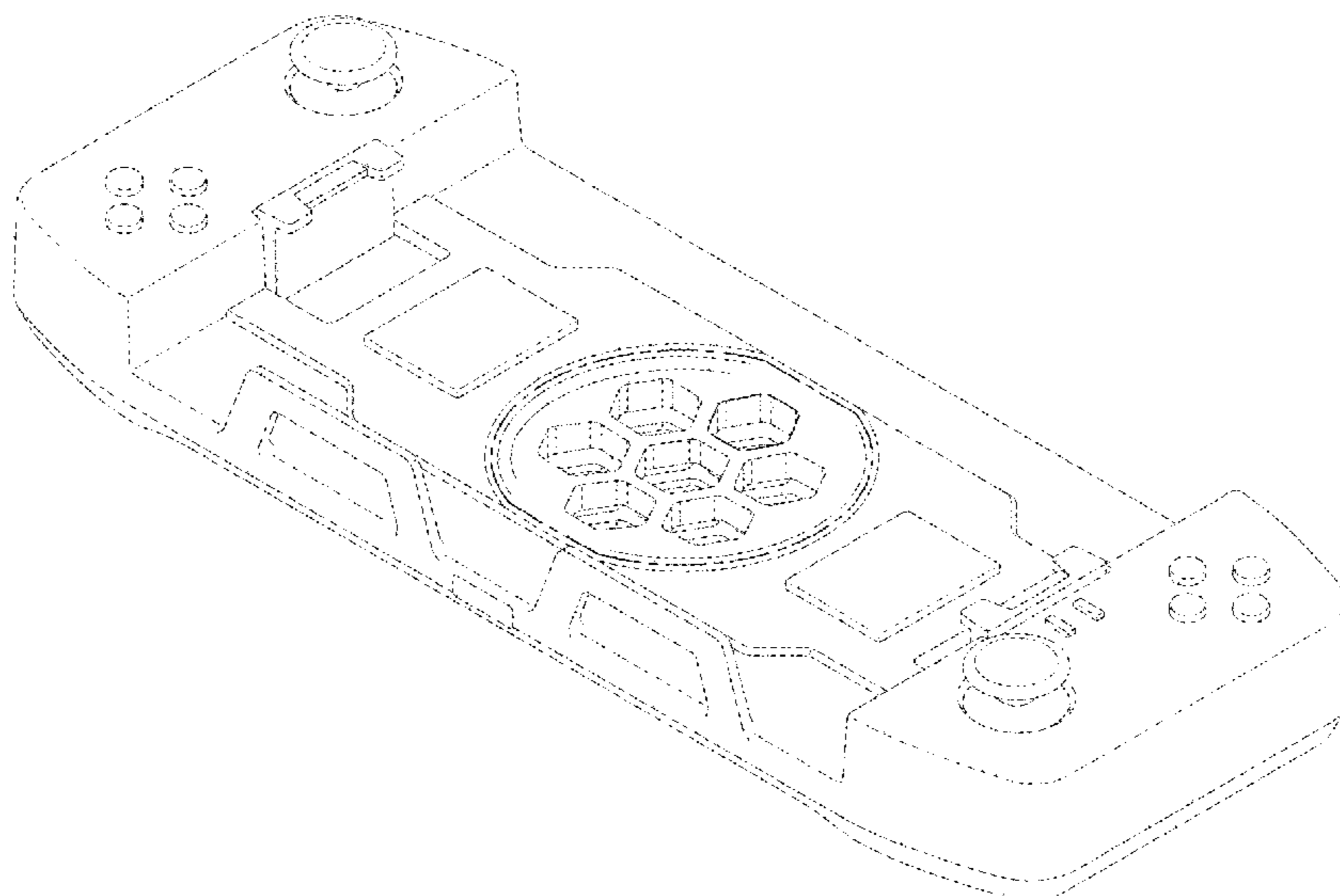
(57) **CLAIM**

The ornamental design for a game controller, as shown and described.

DESCRIPTION

FIG. 1 is a front, right side, top perspective view of a game controller showing our new design;
FIG. 2 is a rear, left side, top perspective view thereof;
FIG. 3 is a rear, right side, bottom perspective view thereof;
FIG. 4 is a front view thereof;
FIG. 5 is a rear view thereof;
FIG. 6 is a left side view thereof;
FIG. 7 is a right side view thereof;
FIG. 8 is a top view thereof;
FIG. 9 is a bottom view thereof;
FIG. 10 is an enlarged front, right side, top perspective cross-sectional view taken along line 10-10 in FIG. 8;
FIG. 11 is an enlarged rear, right side, top perspective cross-sectional view taken along line 11-11 in FIG. 8;
FIG. 12 is an enlarged right side cross-sectional view taken along line 12-12 in FIG. 8;
FIG. 13 is an enlarged front, left side, top perspective cross-sectional view taken along line 13-13 in FIG. 8;
FIG. 14 is an enlarged rear, left side, top perspective cross-sectional view taken along line 14-14 in FIG. 8;
FIG. 15 is an enlarged left side cross-sectional view taken along line 15-15 in FIG. 8; and,
FIG. 16 is a perspective view wherein the game controller is shown in a state of use.
The dashed broken lines illustrate portions of the game controller and form no part of the claimed design. The dot-dash broken lines define the bounds of the claimed design and form no part thereof.

1 Claim, 14 Drawing Sheets



US D900,935 S

Page 2

(58) **Field of Classification Search**

USPC D14/324, 333, 342, 349, 363, 367, 383;
D13/102; D6/303.309, 675; D9/434,
D9/435, 504, 529, 570, 743, 744, 749,
D9/759, 760, 768, 771, 782, 787;
D11/14, 43
CPC A63F 13/10; A63F 13/98; A63F 13/06;
A63F 13/02; A63F 13/92; H04N 5/232;
A63D 15/005

See application file for complete search history.

(56) **References Cited**

U.S. PATENT DOCUMENTS

5,216,203 A * 6/1993 Gower H02G 3/088
174/152 G
D349,304 S * 8/1994 Marsolais D21/336
5,987,845 A * 11/1999 Laronde B27M 3/0053
52/591.1

D526,885 S * 8/2006 Kelleghan D8/356
D532,829 S * 11/2006 Kawanobe D21/333
D577,332 S * 9/2008 Moore D13/102
D649,987 S * 12/2011 Dunnahoe D15/139
D662,355 S * 6/2012 Tyson D7/396.6
D662,673 S * 6/2012 Stevenson D30/101
D690,705 S * 10/2013 Mueller D14/441
D697,141 S * 1/2014 Sugino D14/345
D712,822 S * 9/2014 Brusaw D13/102
D717,279 S * 11/2014 Wai D14/218
D771,788 S * 11/2016 Duckwitz D23/386
D772,928 S * 11/2016 Montes D14/489
D775,198 S * 12/2016 Montes D14/489
D783,722 S * 4/2017 Peng D14/400
D815,511 S * 4/2018 Groleski D8/350
D825,811 S * 8/2018 Clark D26/80
10,139,059 B2 * 11/2018 Danesh F21S 8/02
D845,395 S * 4/2019 Strahle D21/333
D867,365 S * 11/2019 Corigliano D14/401

* cited by examiner

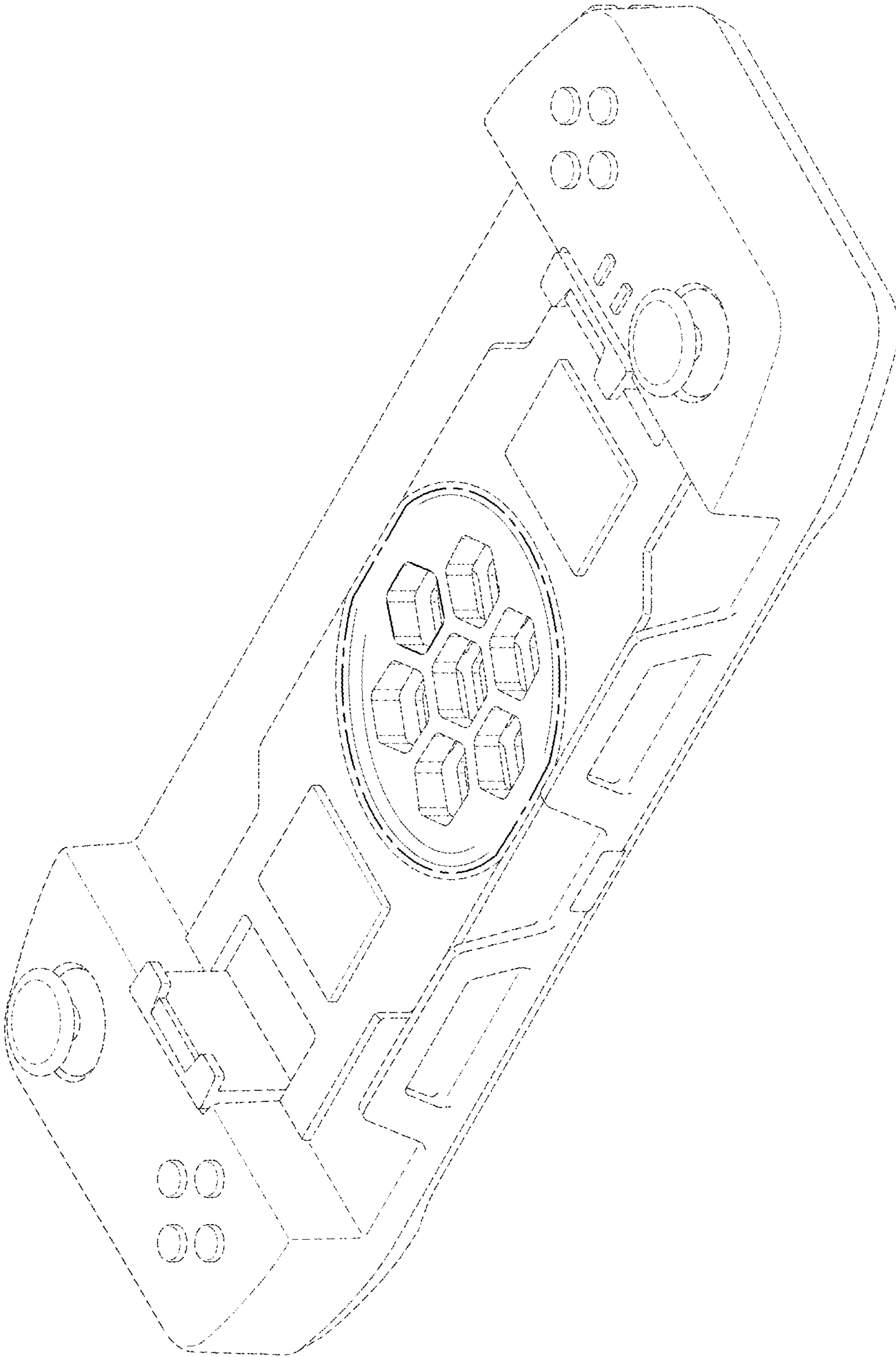


FIG. 1

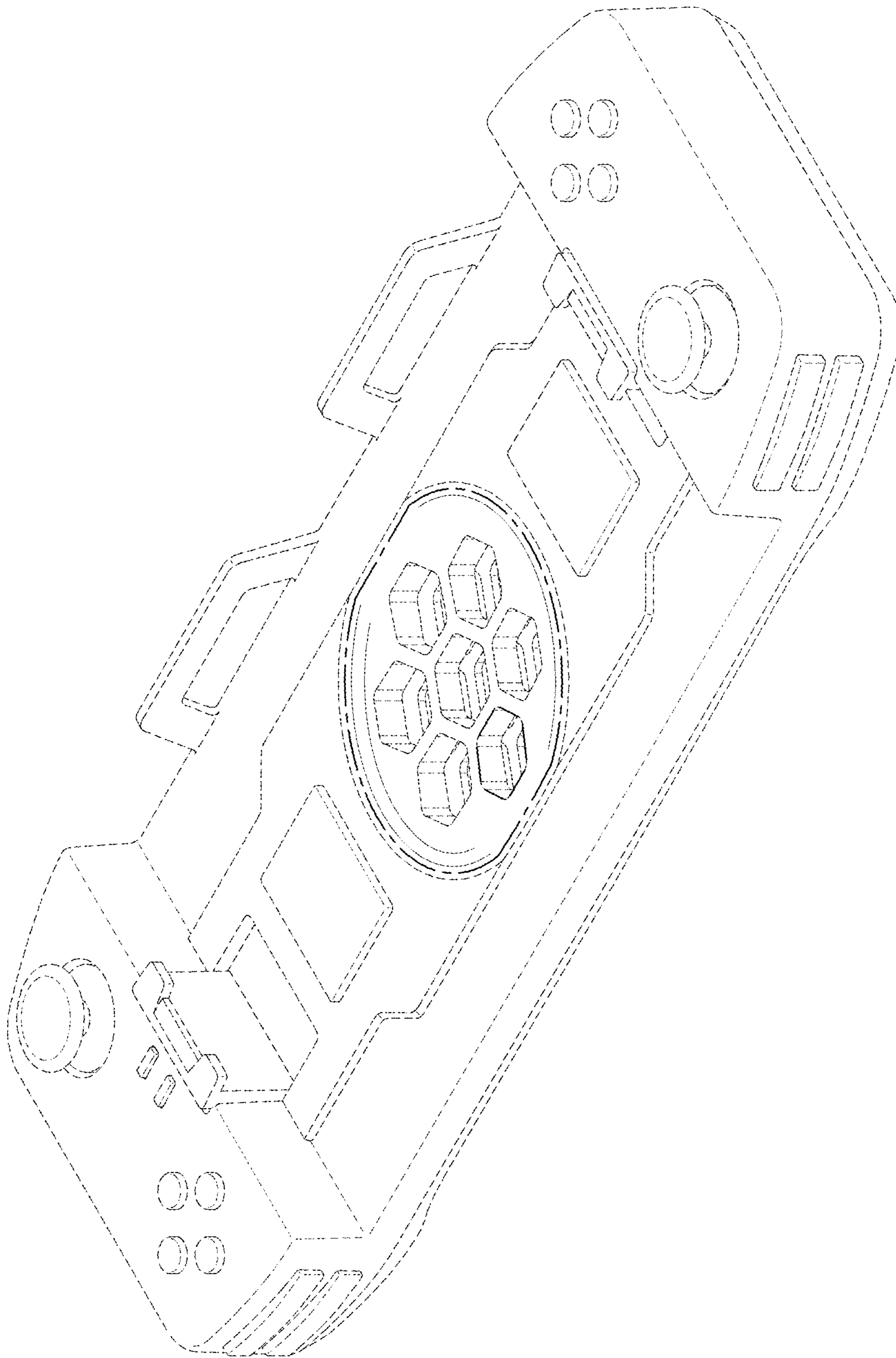


FIG. 2

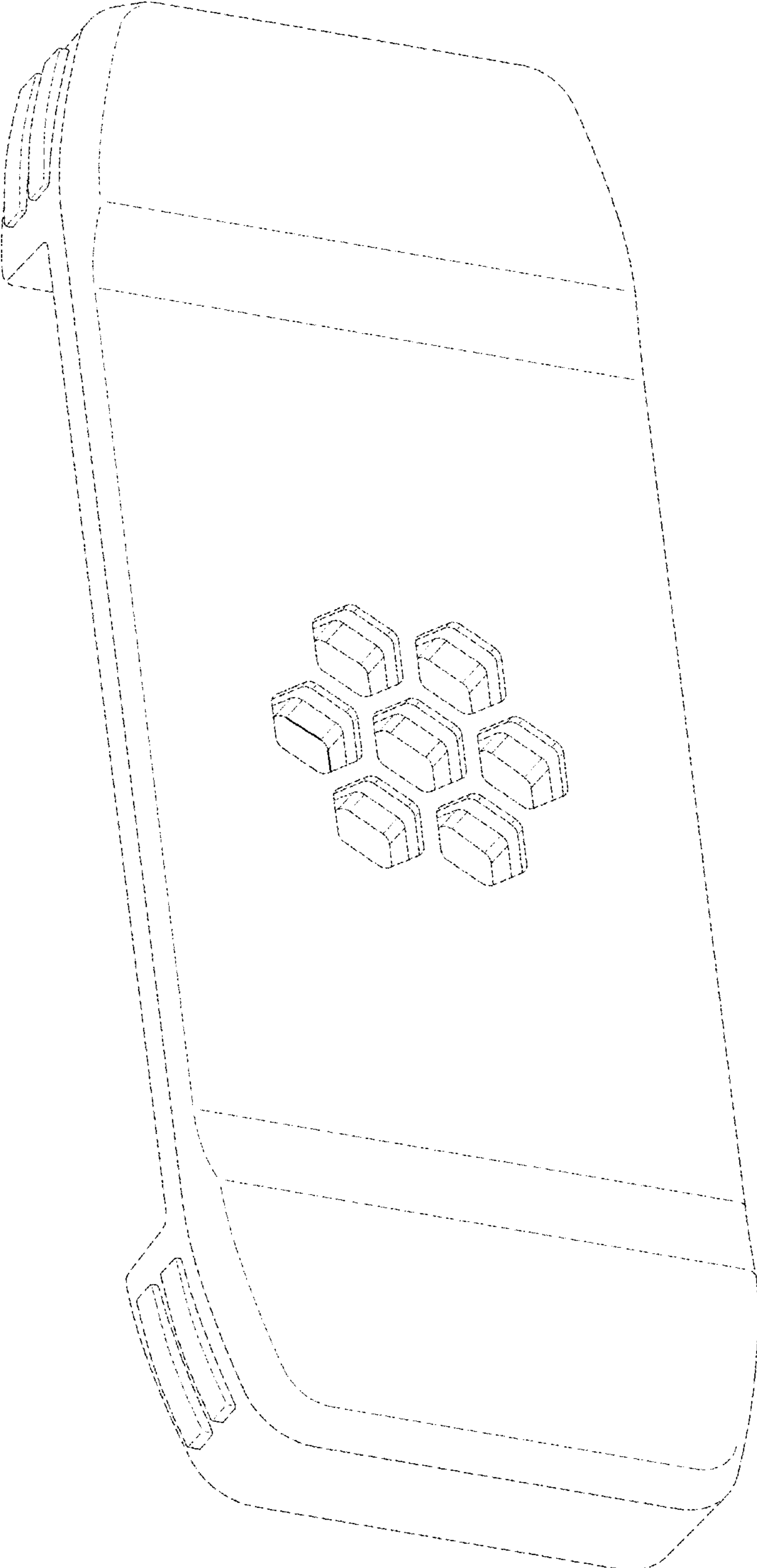


FIG. 3

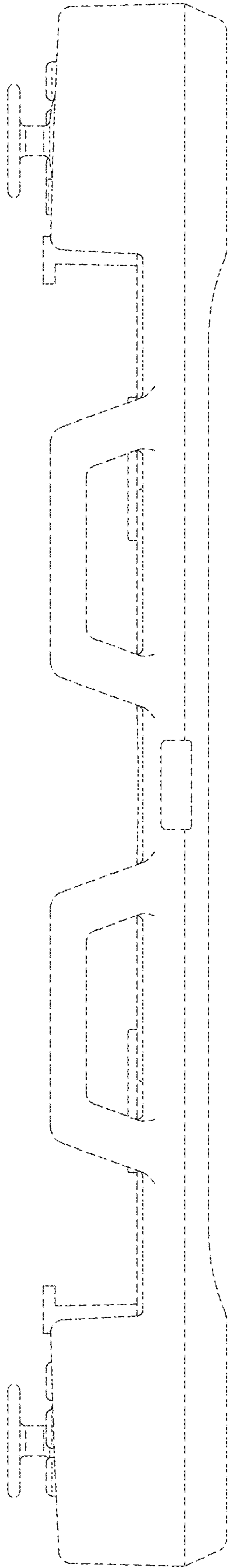


FIG. 4

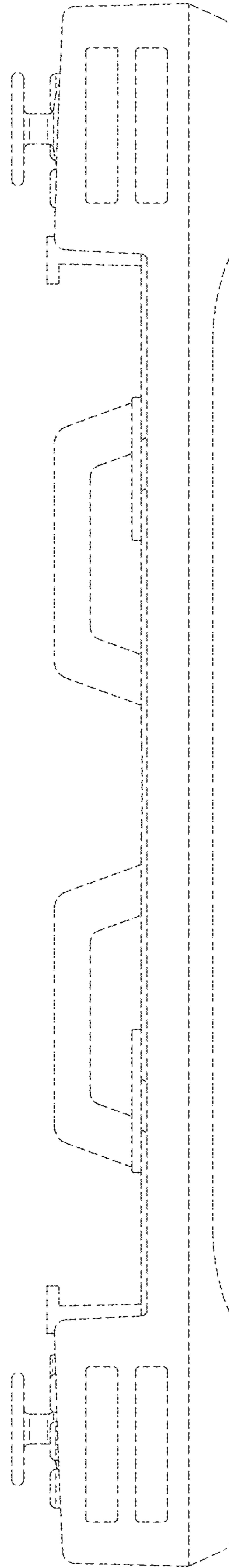


FIG. 5

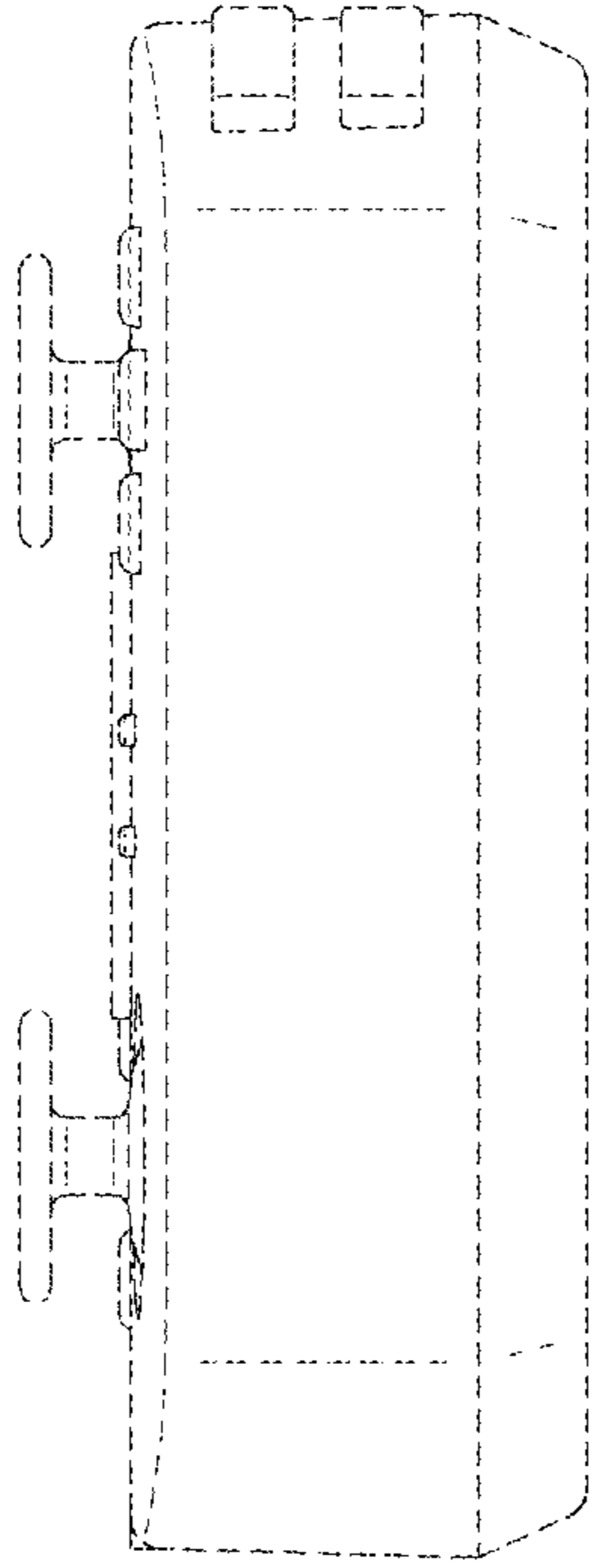


FIG. 6

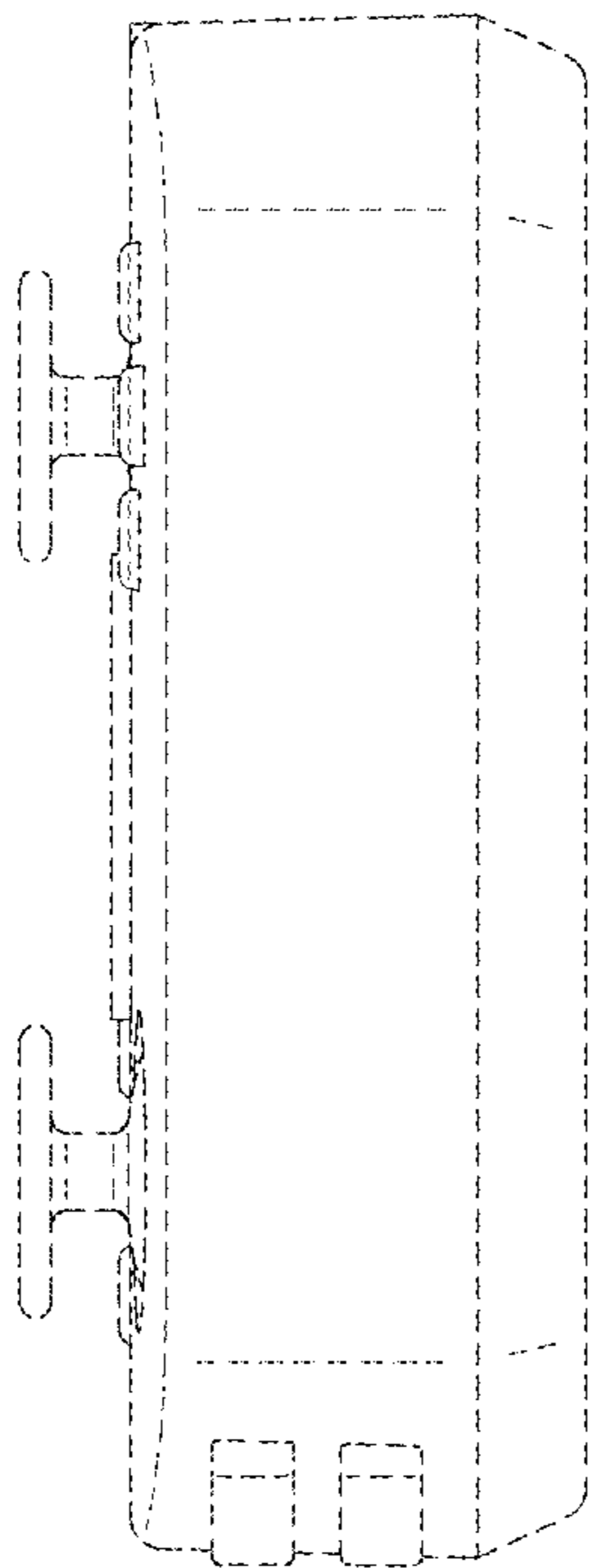


FIG. 7

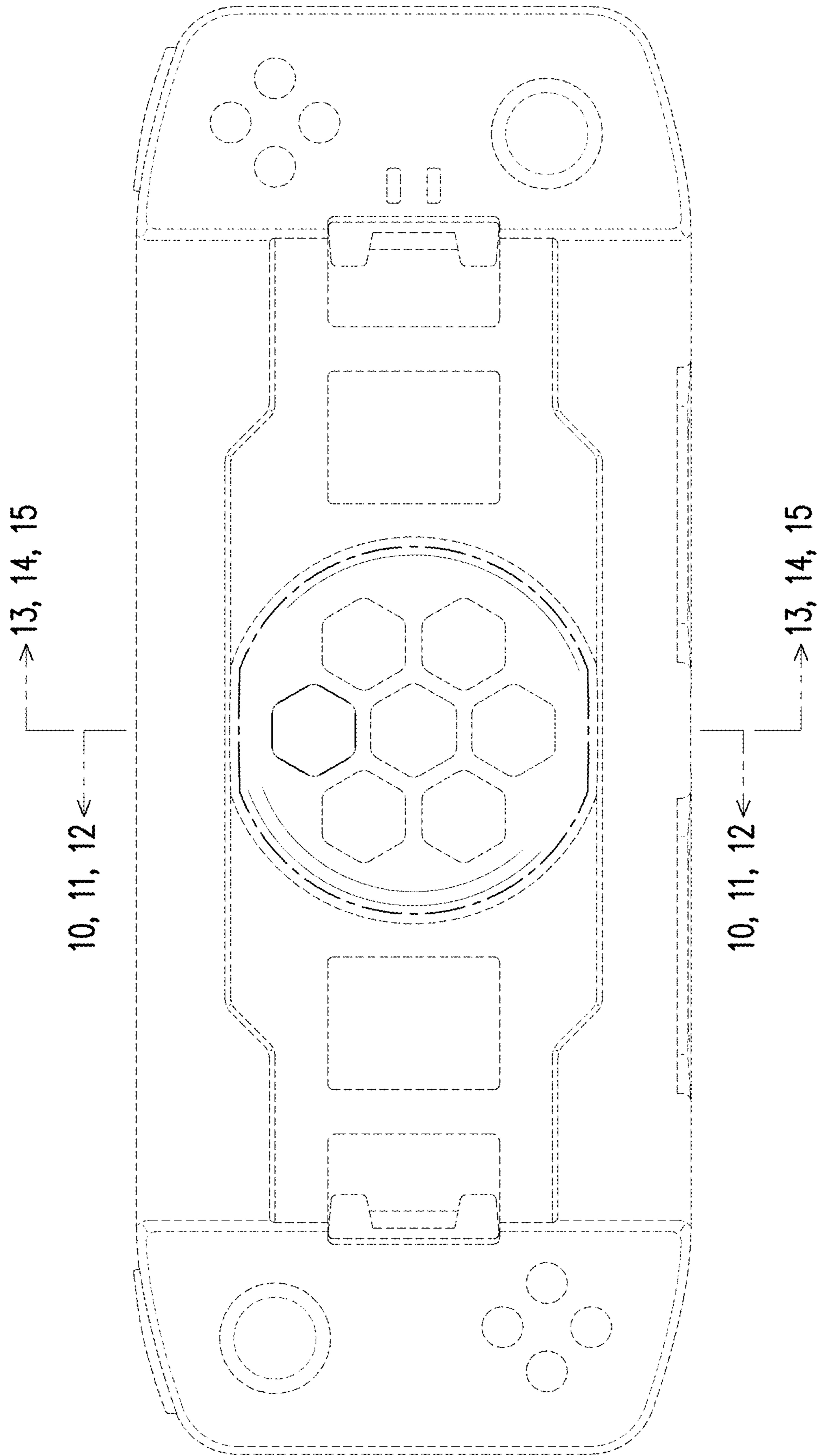


FIG. 8

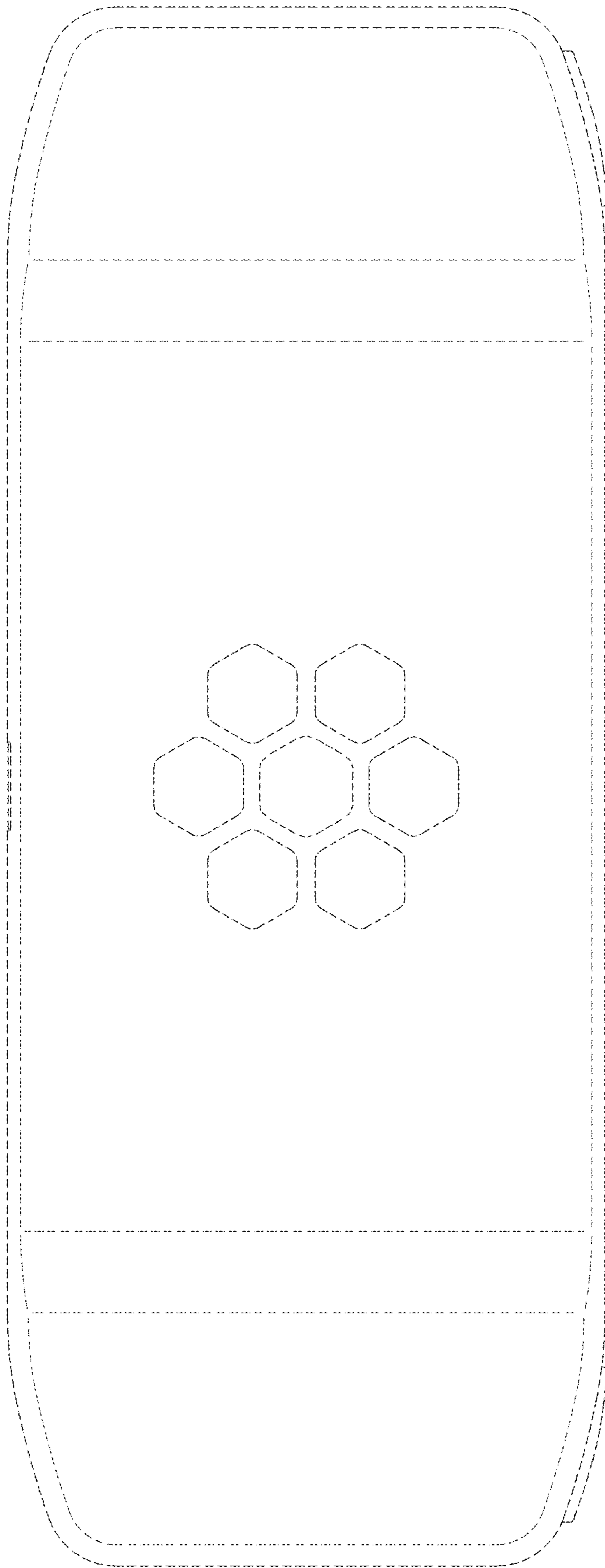


FIG. 9

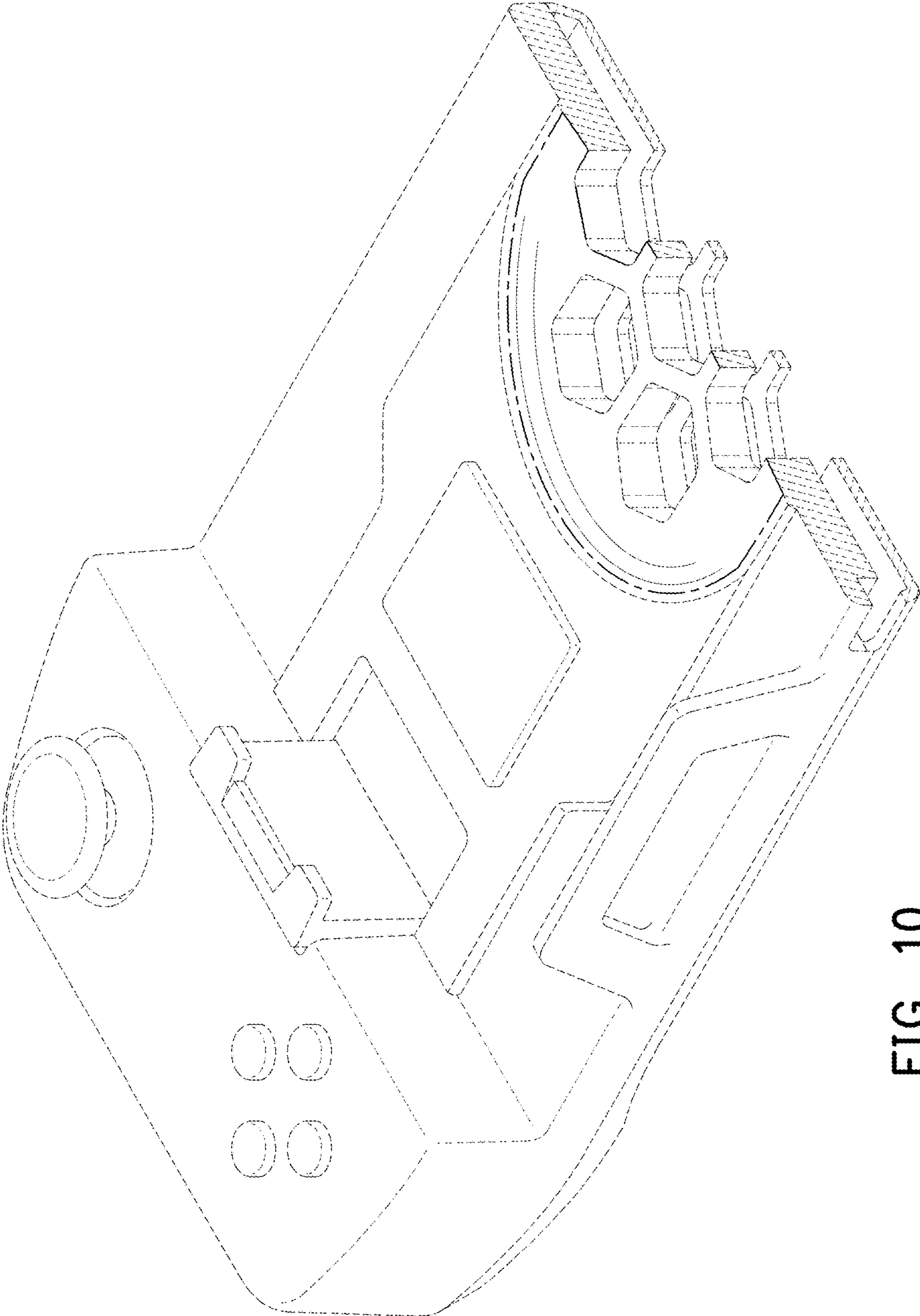


FIG. 10

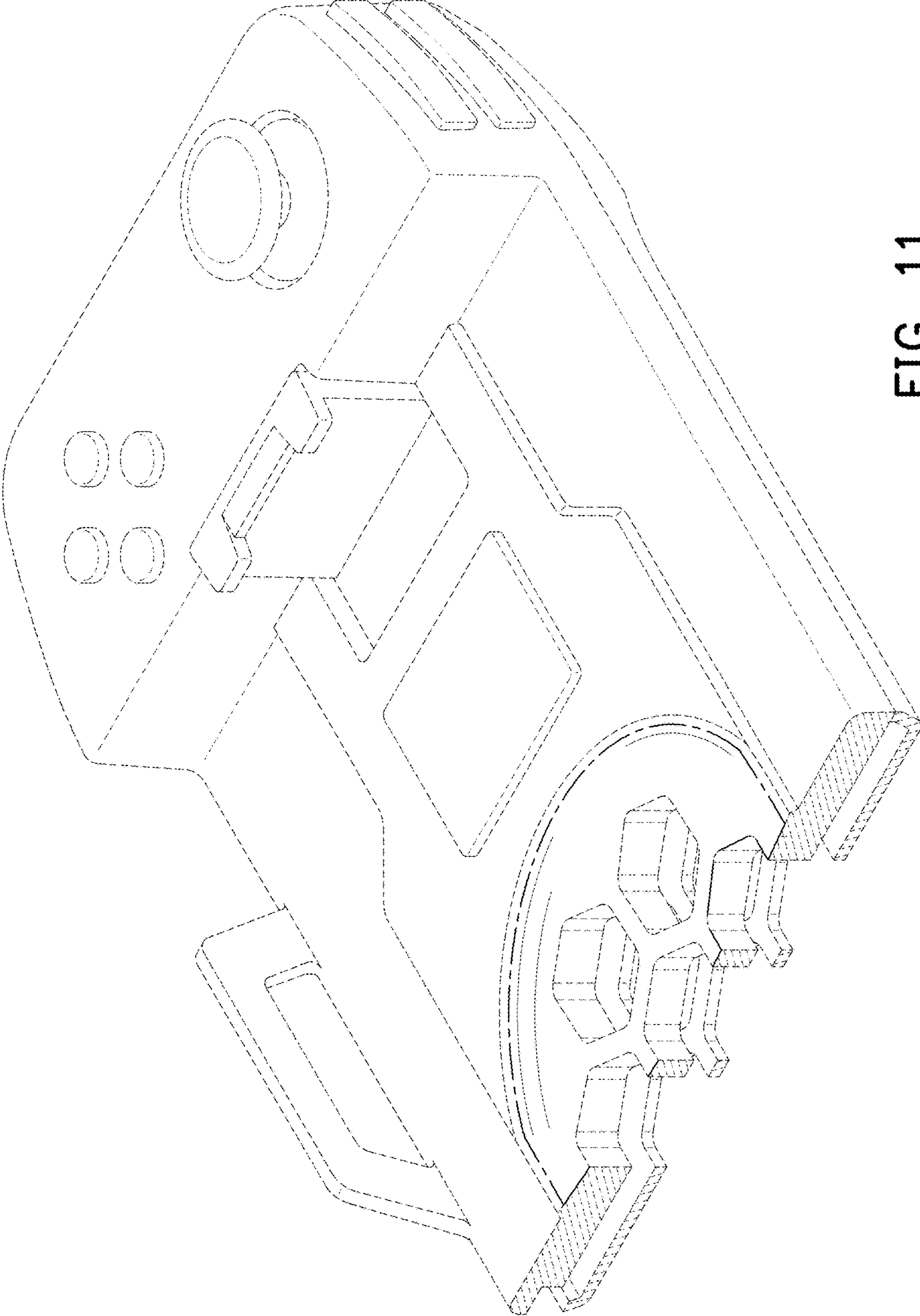


FIG. 11

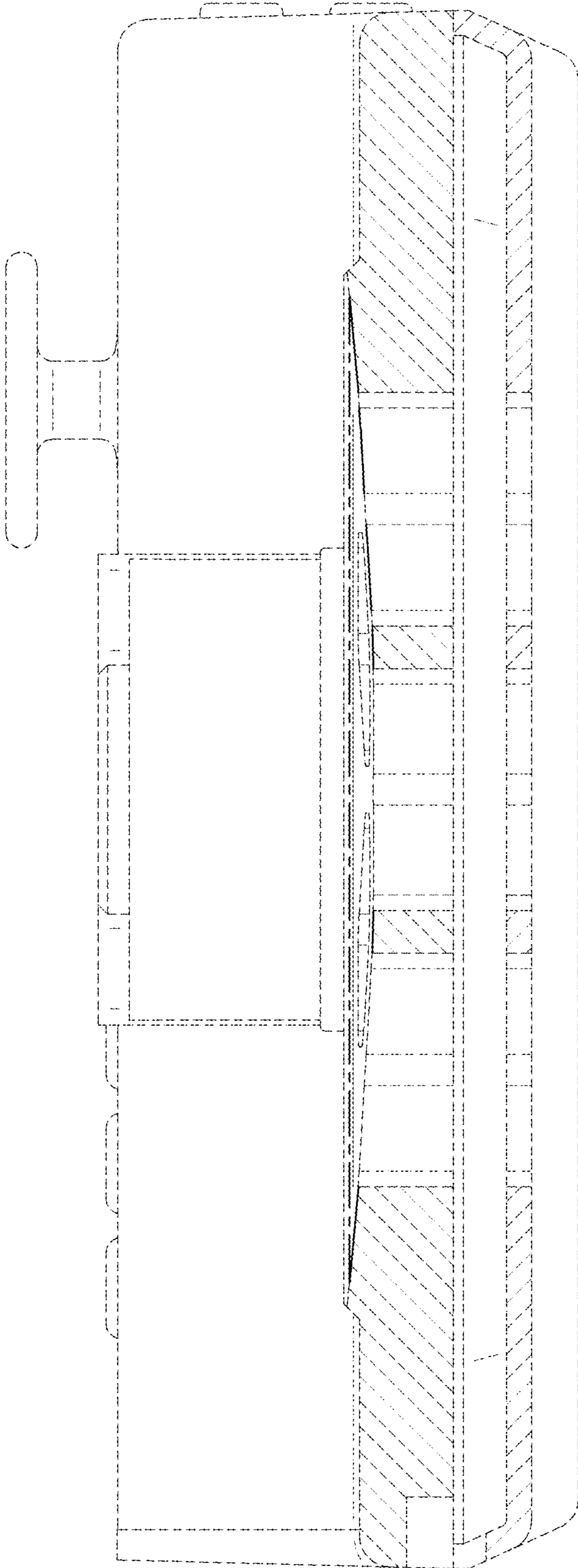


FIG. 12

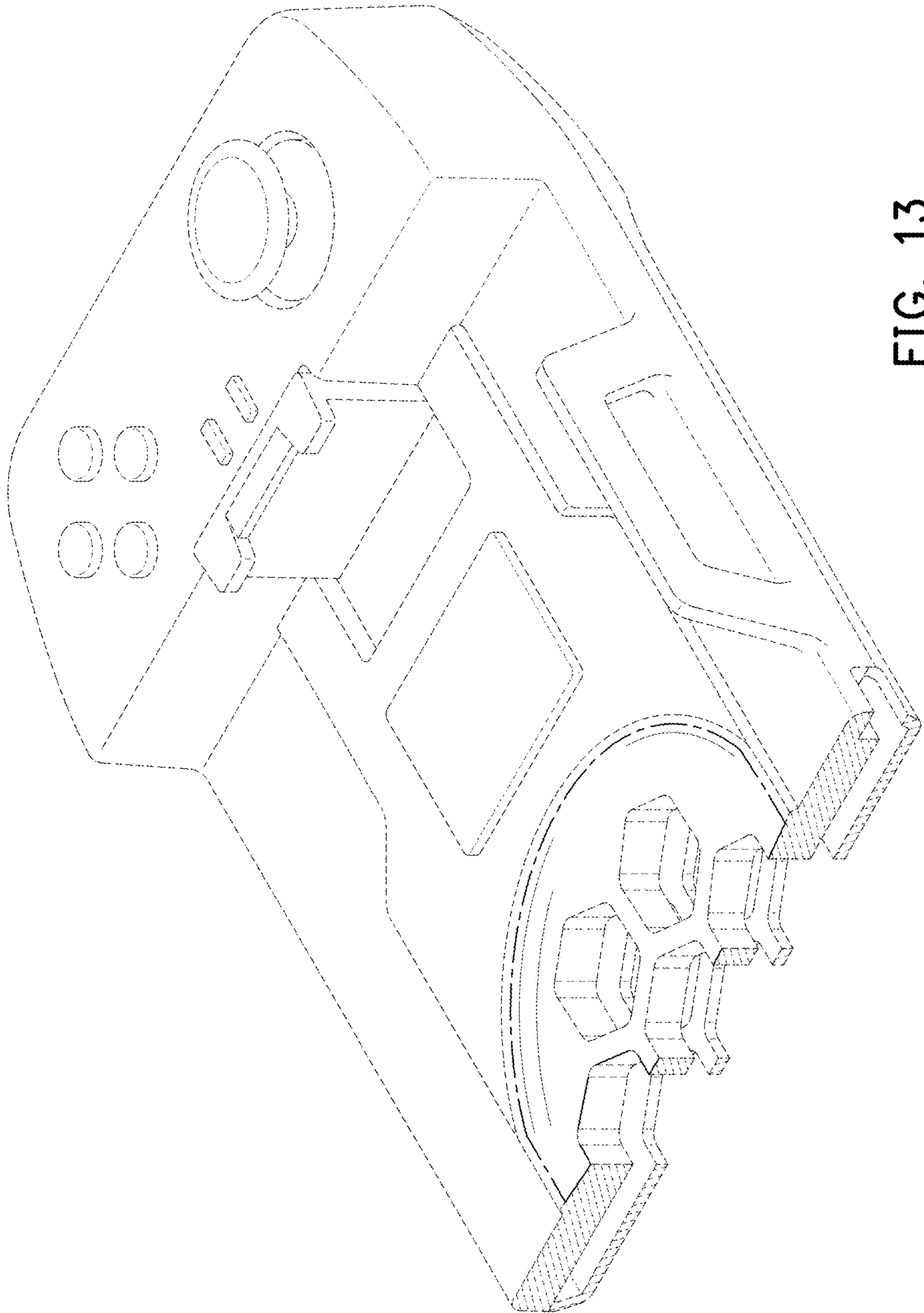


FIG. 13

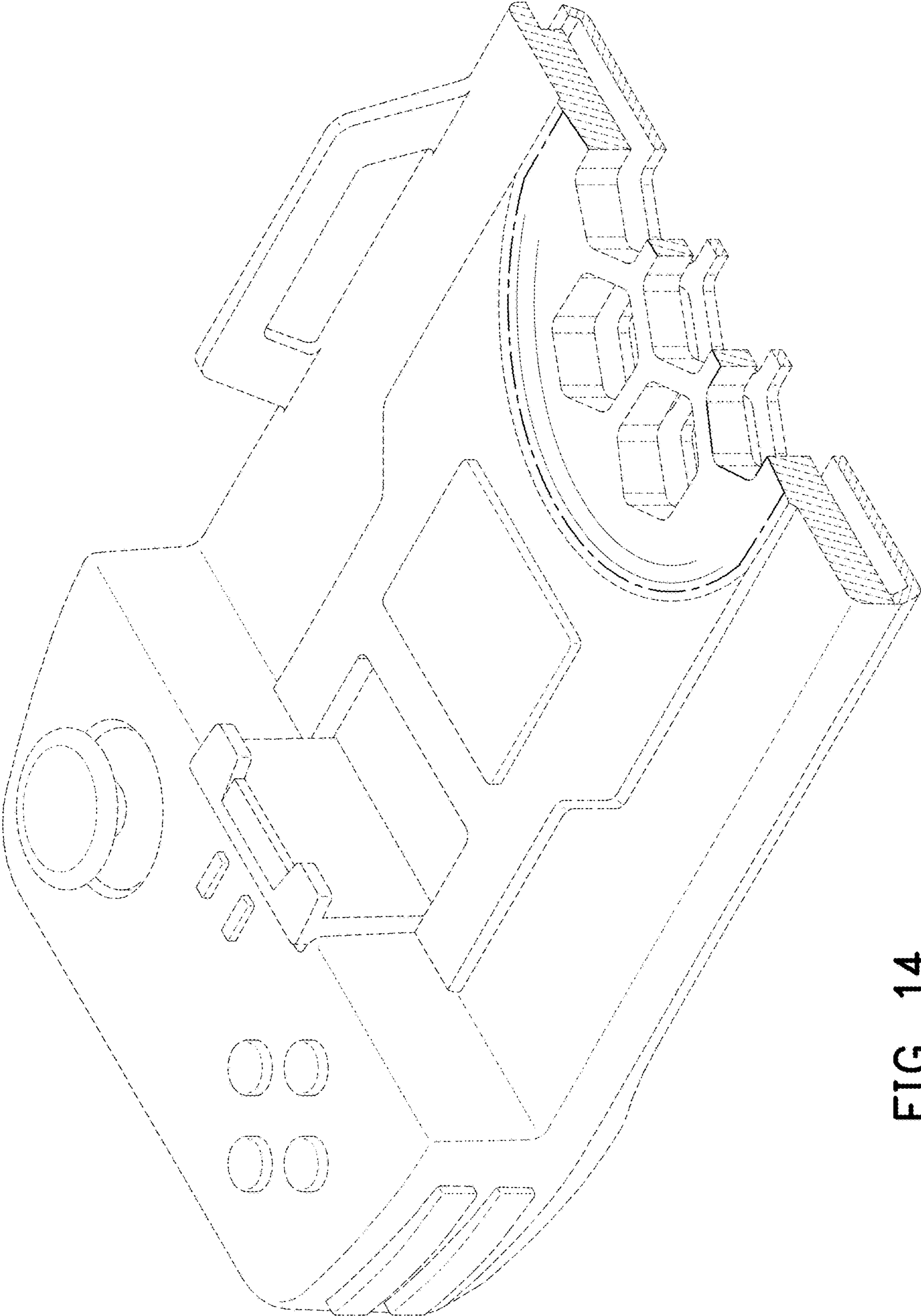


FIG. 14

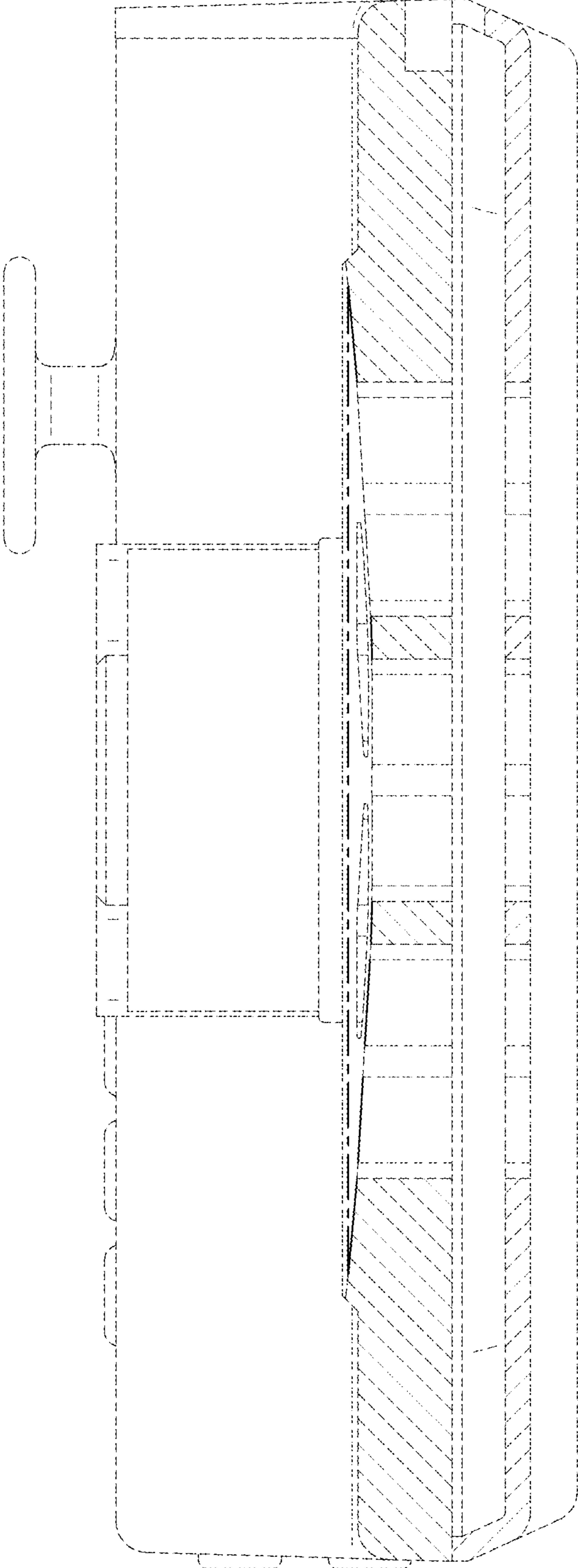


FIG. 15

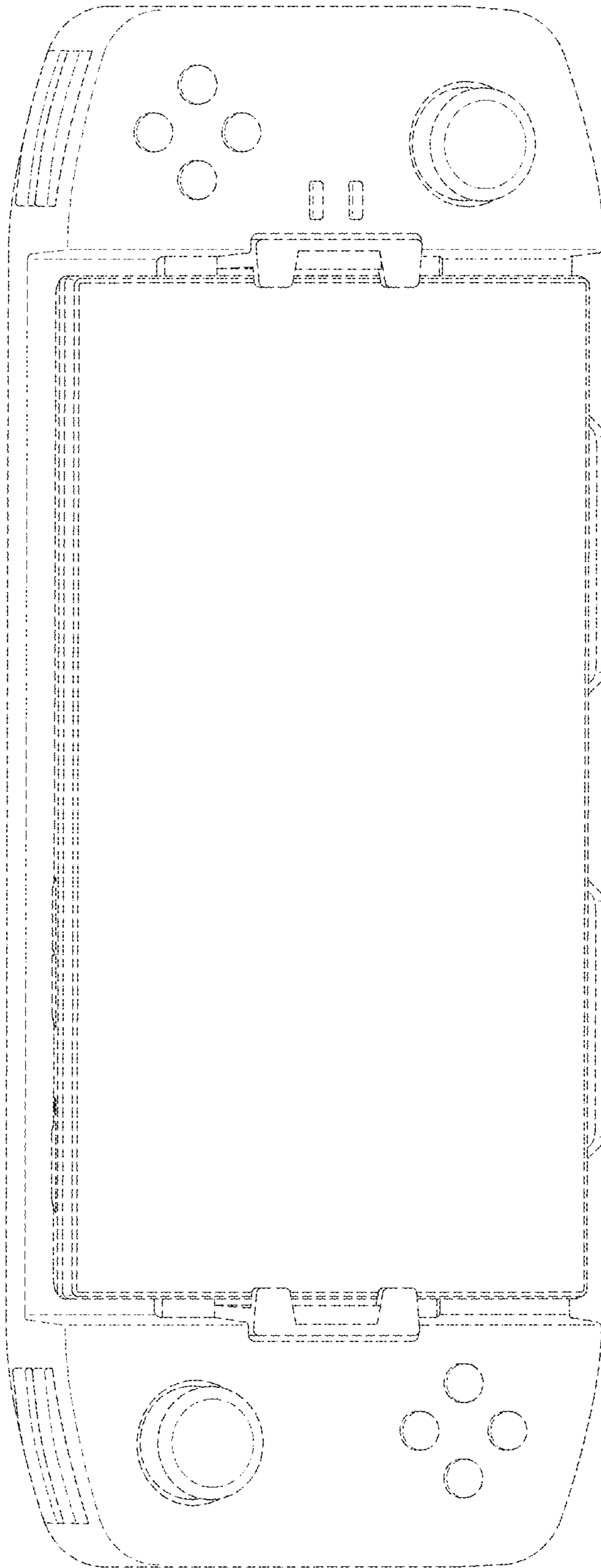


FIG. 16