



US00D900929S

(12) **United States Design Patent** (10) **Patent No.:** **US D900,929 S**
Li (45) **Date of Patent:** **** *Nov. 3, 2020**

(54) **LASER POINTER CONTROLLER**
(71) Applicant: **Yinbo Li**, Fremont, CA (US)
(72) Inventor: **Yinbo Li**, Fremont, CA (US)
(73) Assignee: **Yinbo Li**, Fremont, CA (US)

D569,814 S * 5/2008 Ikeda D13/168
D570,792 S * 6/2008 Leung D13/168
D576,113 S * 9/2008 Kindle D13/168
D603,351 S * 11/2009 Badarello D13/168
D620,925 S * 8/2010 Geck D14/218
D626,532 S * 11/2010 Nikiforov D14/218

(Continued)

(*) Notice: This patent is subject to a terminal disclaimer.
(**) Term: **15 Years**

FOREIGN PATENT DOCUMENTS

EM 0063071460001 4/2019
IL 58598 * 5/2016

(Continued)

(21) Appl. No.: **29/663,339**

OTHER PUBLICATIONS

(22) Filed: **Sep. 13, 2018**
(51) **LOC (12) Cl.** **19-06**
(52) **U.S. Cl.**
USPC **D19/130**
(58) **Field of Classification Search**
USPC D14/218, 401; D13/168; D21/333;
D32/40; D19/130; D26/37
CPC G06F 3/0219; G06F 1/16; G06F 3/0202;
G09G 5/00; G05B 19/02
See application file for complete search history.

Wolfee | ReleaseWire Mediawire, press release date Oct. 3, 2017,
<http://www.releasewire.com/multimedia/photos/wolfee-131986.htm>
site visited Sep. 10, 2019.*

(Continued)

(56) **References Cited**

Primary Examiner — John R Yeh
(74) *Attorney, Agent, or Firm* — Kilpatrick Townsend & Stockton LLP

U.S. PATENT DOCUMENTS

D342,256 S * 12/1993 Payne D14/218
D350,737 S * 9/1994 Chen D14/409
D367,060 S * 2/1996 Augaitis D14/218
D383,134 S * 9/1997 Patton D14/218
D395,720 S * 6/1998 Gall D26/37
D403,450 S * 12/1998 Ting D26/37
D403,451 S * 12/1998 Ting D26/37
D415,161 S * 10/1999 Gerba D14/218
D420,006 S * 2/2000 Tonino D14/218
D426,232 S * 6/2000 Silbermann D14/218
D448,505 S * 9/2001 Dalton D26/37
D512,027 S * 11/2005 Sarasjoki D13/168
D517,023 S * 3/2006 Kumagai D13/168
D550,168 S * 9/2007 Chang D13/168
D563,907 S * 3/2008 Badarello D13/168

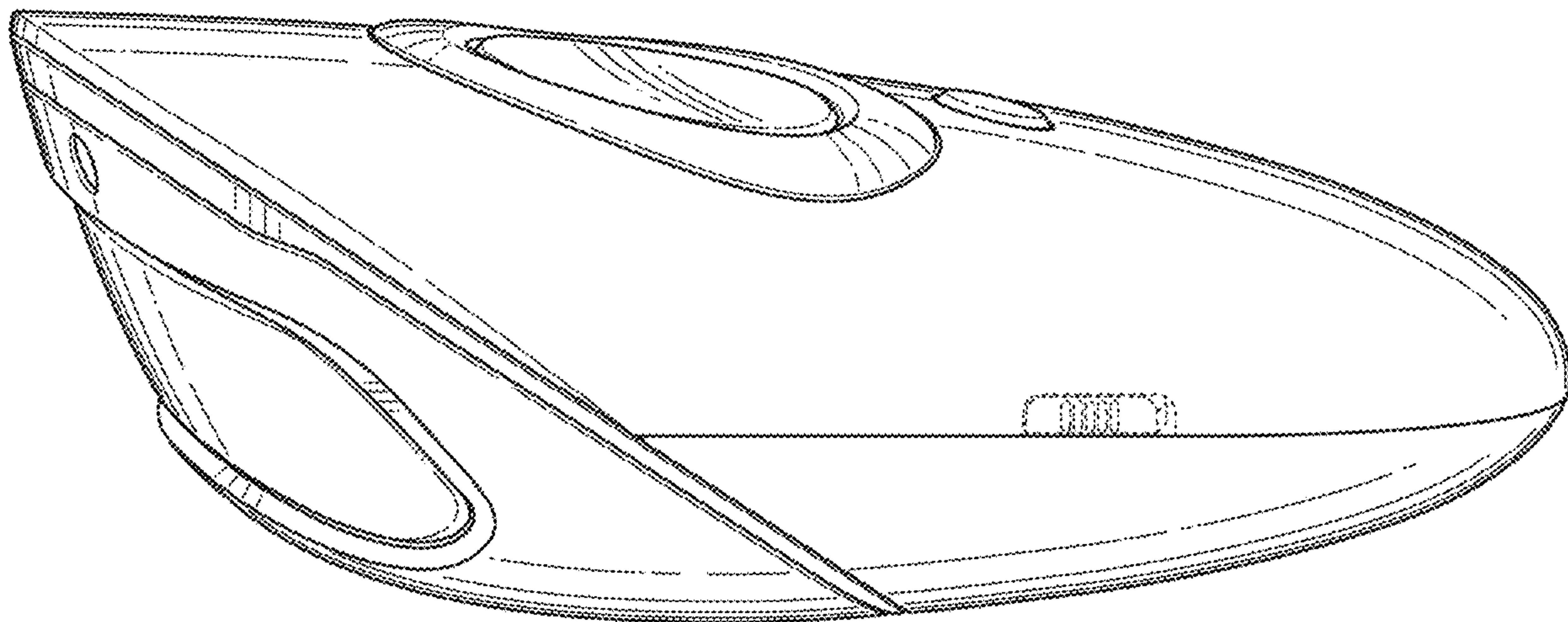
(57) **CLAIM**

The ornamental design for a laser pointer controller, as shown and described.

DESCRIPTION

FIG. 1 is a perspective view of the ornamental design for a laser pointer controller;
FIG. 2 is a rear view thereof;
FIG. 3 is a front view thereof;
FIG. 4 is a left view thereof;
FIG. 5 is a right view thereof;
FIG. 6 is a top view thereof; and,
FIG. 7 is a bottom view thereof.
The broken lines show portions of the laser pointer controller that form no part of the claimed design.

1 Claim, 7 Drawing Sheets



(56)

References Cited

U.S. PATENT DOCUMENTS

D626,535 S * 11/2010 Kim D14/218
 D681,012 S * 4/2013 Fei D14/218
 D682,254 S * 5/2013 Hong D14/218
 D695,274 S * 12/2013 Barnsteiner D14/218
 D715,774 S * 10/2014 Lee D14/218
 D716,767 S * 11/2014 Lee D14/218
 D716,768 S * 11/2014 Lee D14/218
 D723,008 S * 2/2015 Kim D14/218
 D724,059 S * 3/2015 Kim D14/218
 D776,091 S * 1/2017 Spio D14/218
 D795,960 S * 8/2017 Chatterjee D14/401
 D799,450 S * 10/2017 Lee D14/218
 D805,484 S * 12/2017 Bristol D13/168
 D813,203 S * 3/2018 Hardi D14/218
 D827,613 S * 9/2018 Seo D14/218
 D828,337 S * 9/2018 Li D14/218
 D841,909 S * 2/2019 Allenback D32/40
 D844,608 S * 4/2019 Chen D14/388

D868,743 S * 12/2019 Li D14/218
 10,534,447 B2 * 1/2020 Li G06F 3/0346
 2018/0188829 A1 * 7/2018 Ouyang G06F 3/0346

FOREIGN PATENT DOCUMENTS

JP 1639509 S 7/2019
 KR 301021226 S 8/2019

OTHER PUBLICATIONS

Presenter+ (Black with Aqua Stripe)—Wolfee Technologies, website 2018, <http://wolfeetechnologies.com/product/presenter-black/> site visited Sep. 10, 2019.*
 Chinese Application No. CN201830651779.2, “Notice of Decision to Grant”, dated Sep. 3, 2019, 3 pages.
 Japanese Application No. JP2018025091, “Notice of Allowance”, dated Jun. 25, 2019, 3 pages.
 Korean Application No. KR30-2019-0011399, “Notice of Decision to Grant”, dated Jul. 4, 2019, 3 pages.

* cited by examiner

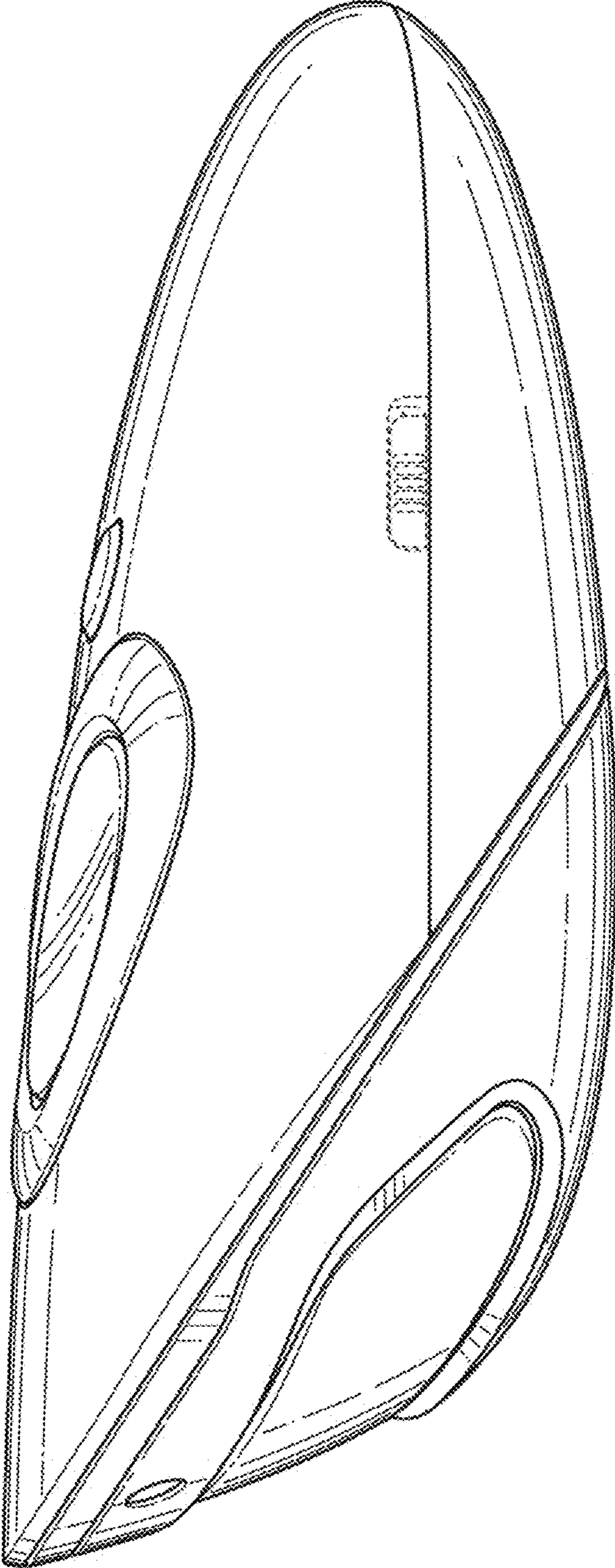


FIG. 1

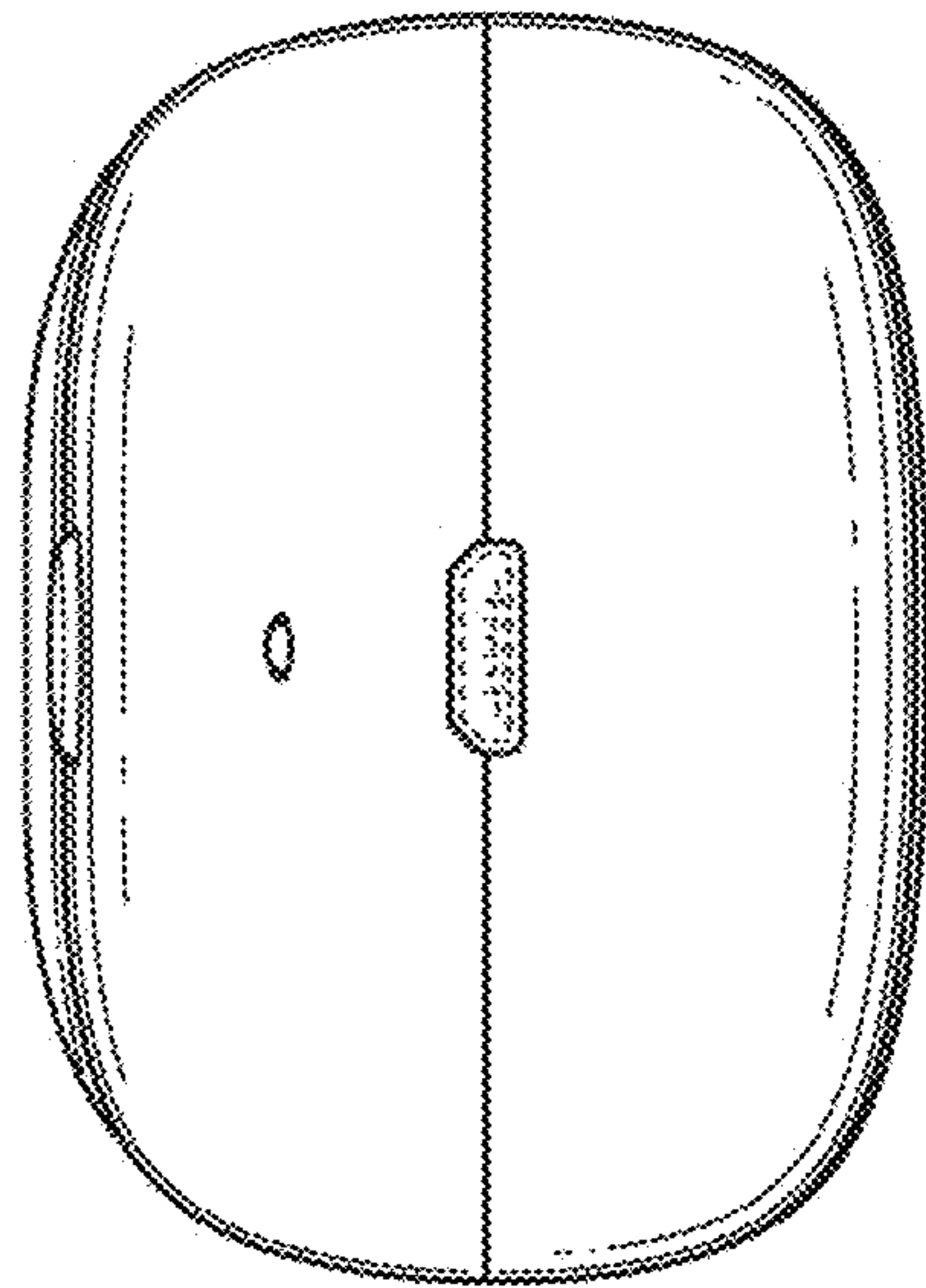


FIG. 2

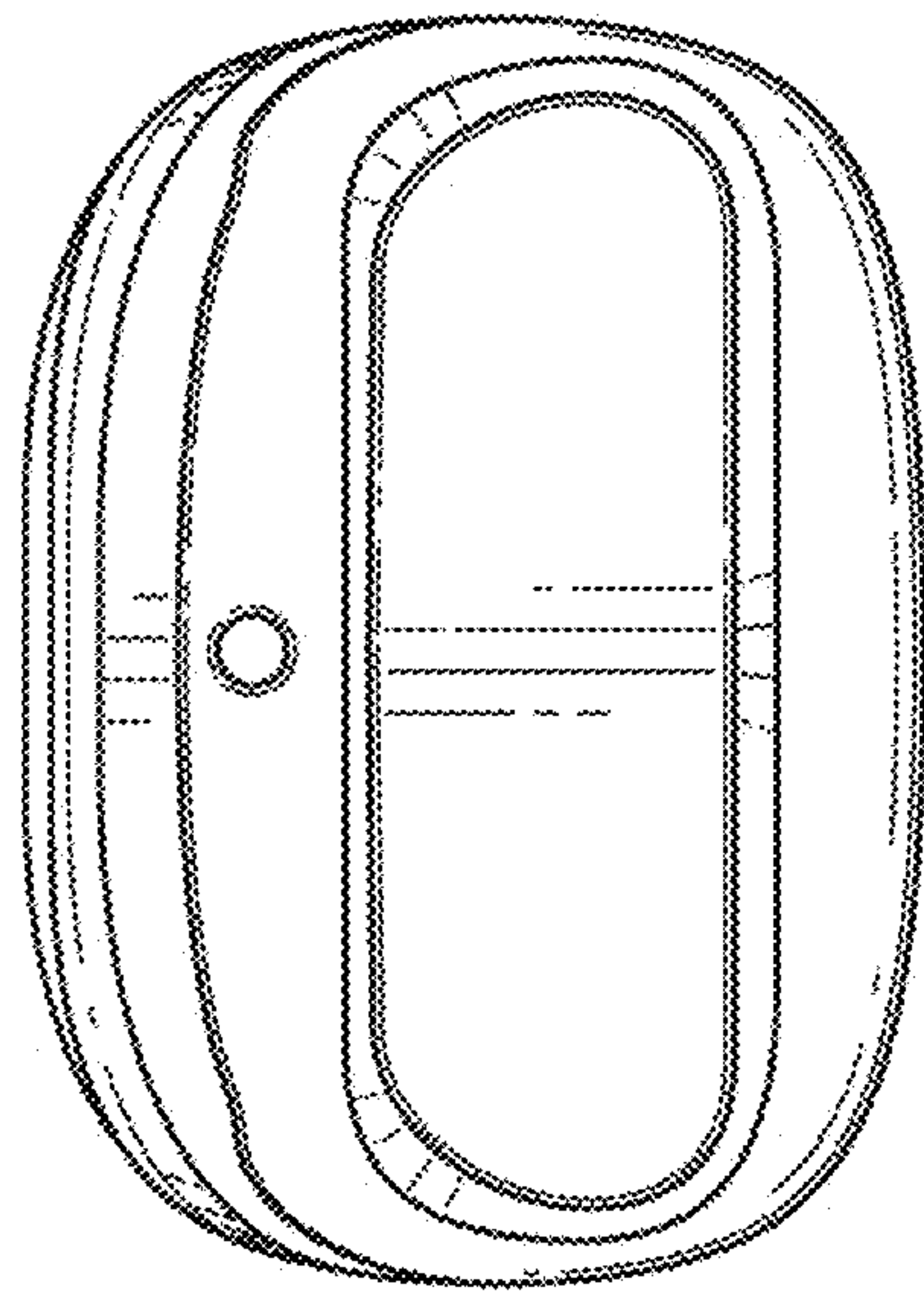


FIG. 3

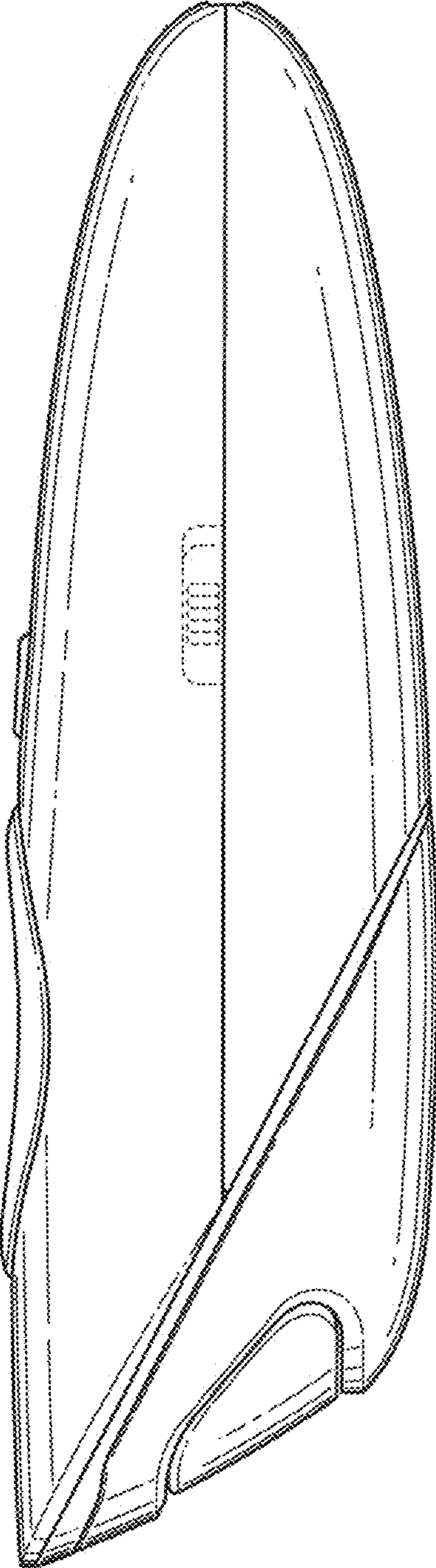


FIG. 4

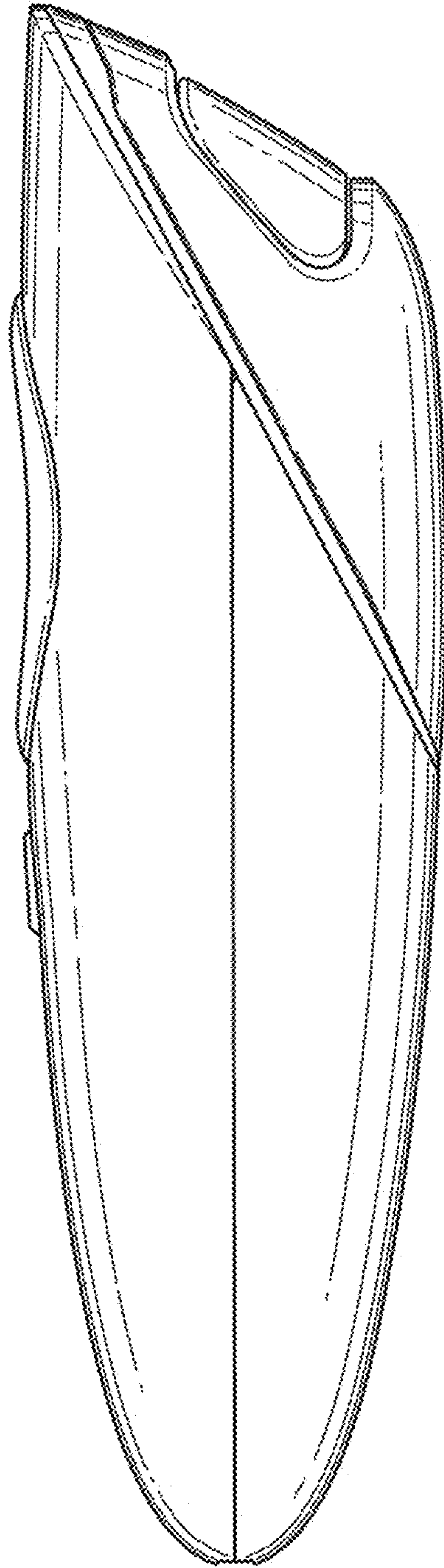


FIG. 5

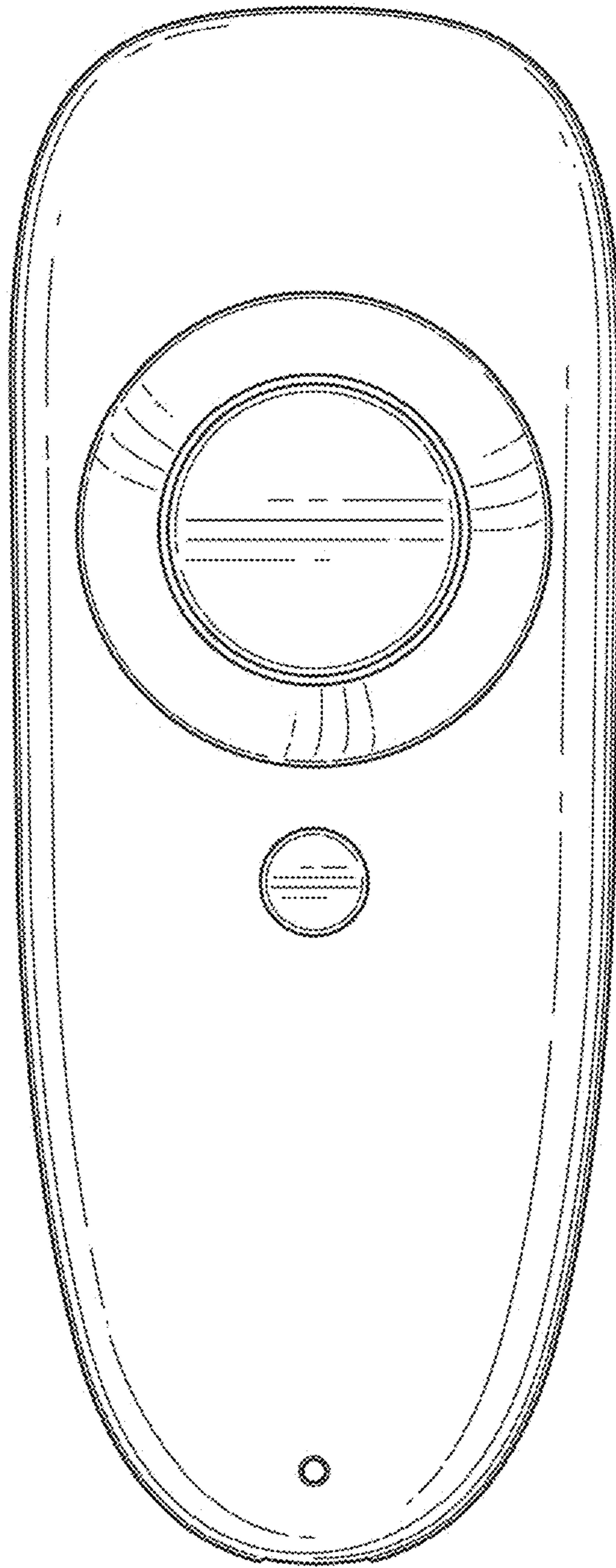


FIG. 6

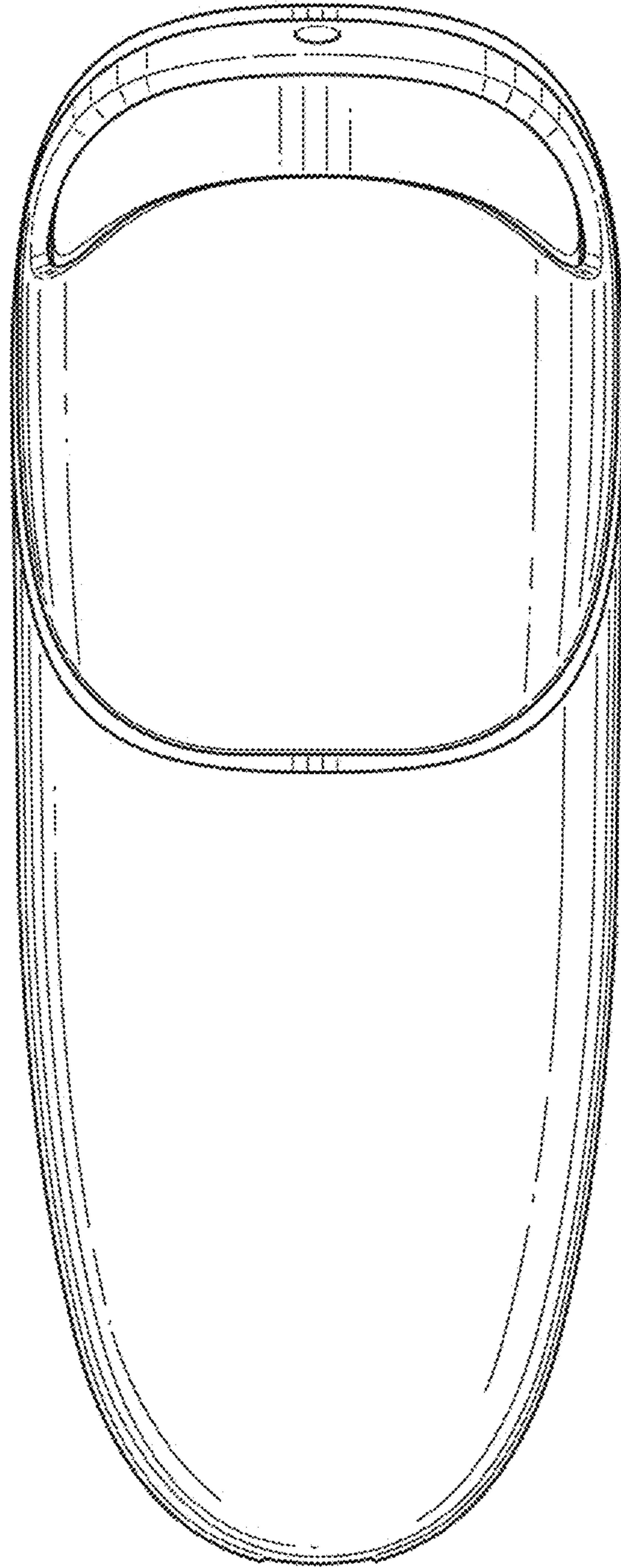


FIG. 7