



US00D900923S

(12) **United States Design Patent** (10) **Patent No.:** **US D900,923 S**
Tashima et al. (45) **Date of Patent:** **** Nov. 3, 2020**

(54) **PRINTER**
(71) Applicant: **BROTHER INDUSTRIES, LTD.**,
Nagoya (JP)
(72) Inventors: **Kazuhisa Tashima**, Nagoya (JP);
Nobuyuki Iwai, Chita-gun (JP)
(73) Assignee: **BROTHER INDUSTRIES, LTD.**,
Nagoya (JP)

D737,895 S * 9/2015 Nanno D18/50
D744,586 S * 12/2015 Chung D15/122
D751,141 S * 3/2016 Minamide D18/50
D781,955 S * 3/2017 Kim D18/50
D786,341 S * 5/2017 Iwai D18/19
D799,588 S * 10/2017 Nanno D18/19
D799,590 S * 10/2017 Dwyer D18/50
D829,277 S * 9/2018 Seki D18/50

(Continued)

(**) Term: **15 Years**
(21) Appl. No.: **29/700,841**

CN 304019038 * 1/2017
CN 304817348 * 9/2018
CN 305596908 * 2/2020

FOREIGN PATENT DOCUMENTS

(22) Filed: **Aug. 6, 2019**

OTHER PUBLICATIONS

(30) **Foreign Application Priority Data**

Feb. 20, 2019 (JP) 2019-003386

Brother USA. Link: <https://www.brother-usa.com/products/ptp715ebt/>. Visited Jun. 30, 2020. P-touch Embellish ELITE Connectable Decorative Ribbon and Tape Printer. (Year: 2020).*

(Continued)

(51) **LOC (12) Cl.** **18-99**

(52) **U.S. Cl.**
USPC **D18/19**

Primary Examiner — Lauren D McVey
(74) *Attorney, Agent, or Firm* — Oliff PLC

(58) **Field of Classification Search**
USPC D18/14, 15, 16, 17, 18, 19, 36, 37, 38,
D18/39, 40, 41, 45, 50, 53, 54, 55, 56;
D19/65, 66, 67, 68, 69, 70, 71; D14/301,
D14/307, 121
CPC H04N 1/00204; H04N 1/00249; H04N
1/00278; G06K 15/12; G06K 15/14; B41J
3/00; B41J 3/28; B41J 3/445; B41J 3/46;
B41J 11/0045; B41J 2/3358; B41J 3/36;
B41J 3/382
See application file for complete search history.

(57) **CLAIM**
The ornamental design for a printer, as shown and described.

DESCRIPTION

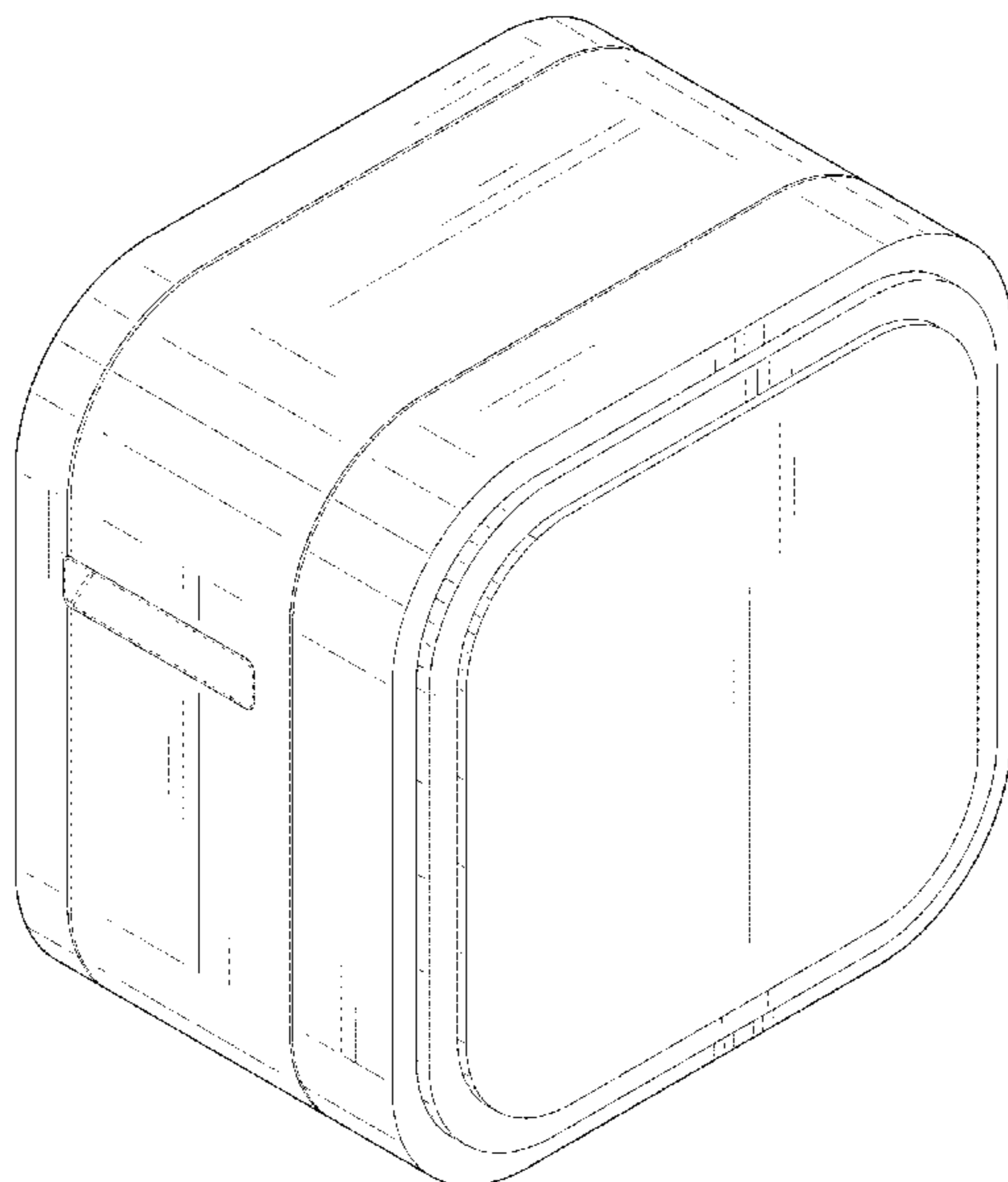
FIG. 1 is a front, left perspective view of the printer;
FIG. 2 is a front elevational view thereof, the rear elevational
view being a mirror image of the front elevational view;
FIG. 3 is a top plan view thereof, the bottom plan view being
a mirror image of the top plan view;
FIG. 4 is a left-side elevational view thereof; and,
FIG. 5 is a right-side elevational view thereof.
The broken lines depict portions of the printer that form no
part of the claimed design.

(56) **References Cited**

U.S. PATENT DOCUMENTS

D522,567 S * 6/2006 Hwang D18/50
D594,504 S * 6/2009 Hattori D18/19
D722,109 S * 2/2015 Nanno D18/50

1 Claim, 4 Drawing Sheets



(56)

References Cited

U.S. PATENT DOCUMENTS

D859,517 S * 9/2019 Meyer D18/19
D876,536 S * 2/2020 Shirley D18/50

OTHER PUBLICATIONS

Amazon. Link: https://www.amazon.com/dp/B07Q5FFKKM/ref=cm_sw_em_r_mt_dp_U_NVh.EbZVNZ007. Oct. 16, 2019. Aibecy GOOJPRT PeriPage Mini Pocket Wireless BT Thermal Printer by ristar. (Year: 2019).*

Wish. Link: <https://www.wish.com/product/5db2df1131fa2f0bb29d111d?>. Visited Jun. 30, 2020. Pocket Instant Photo Printer Bluetooth Thermal Printers Office Electronics Photos and Bills Printer. (Year: 2020).*

* cited by examiner

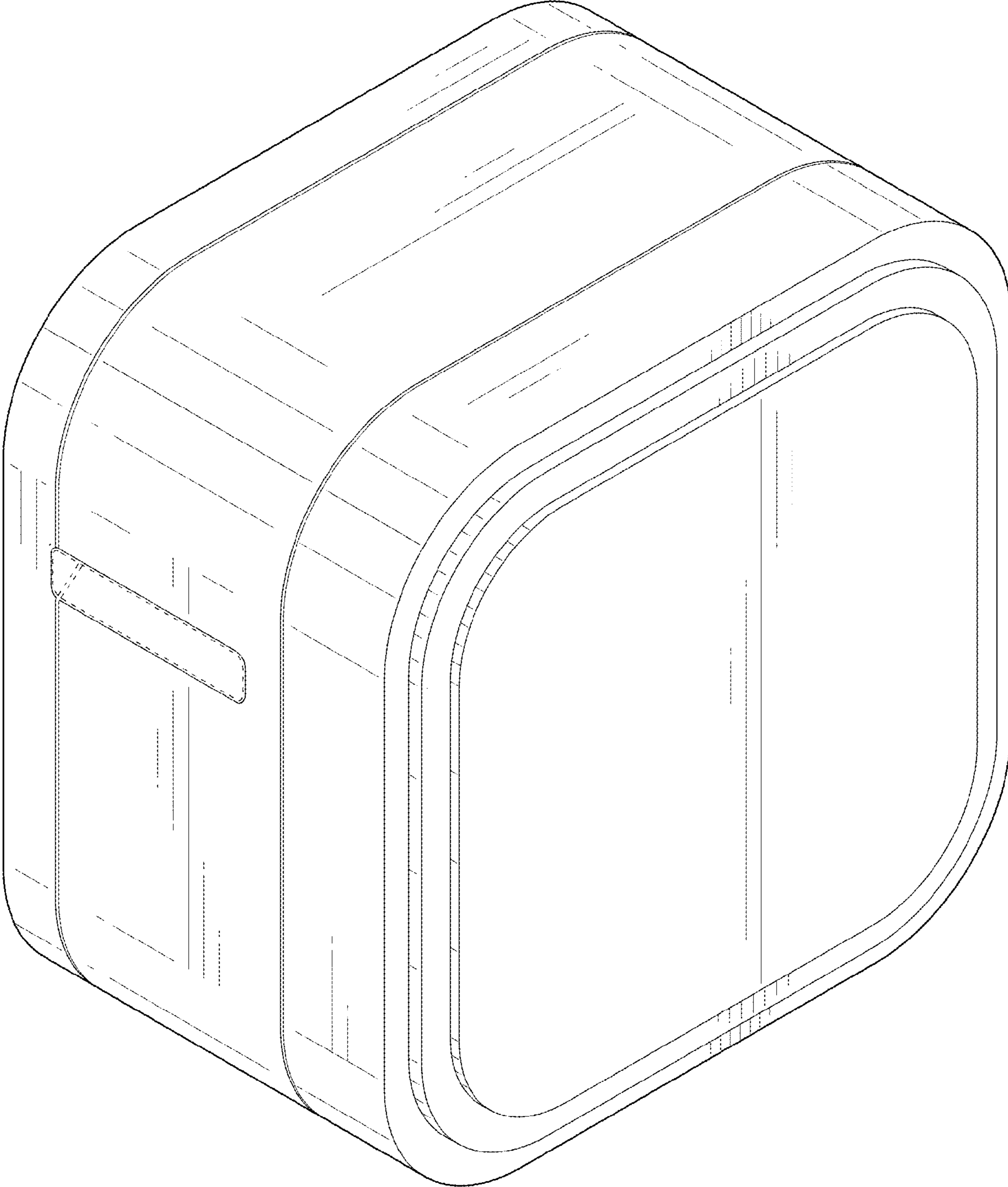


FIG. 1

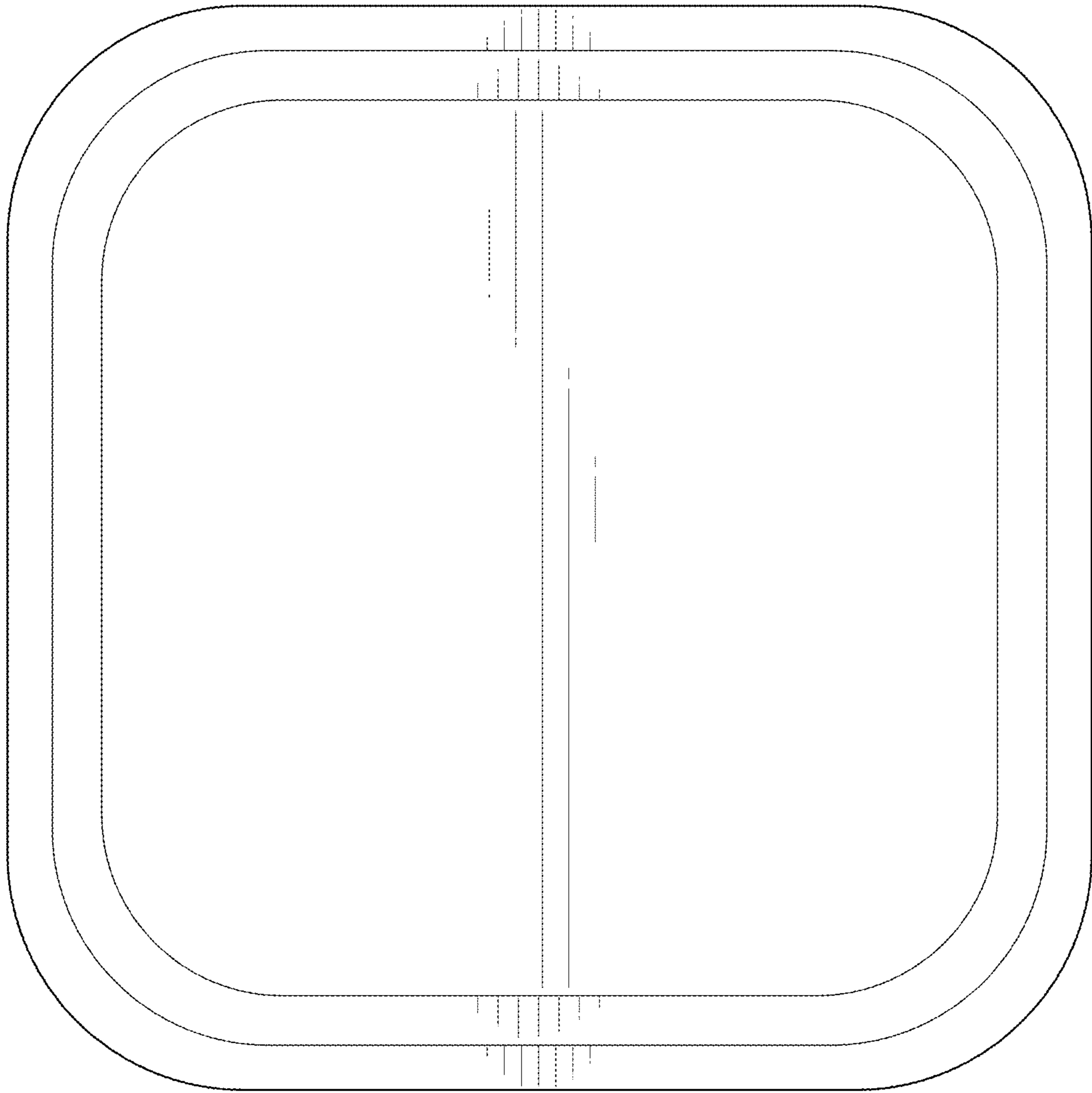


FIG. 2

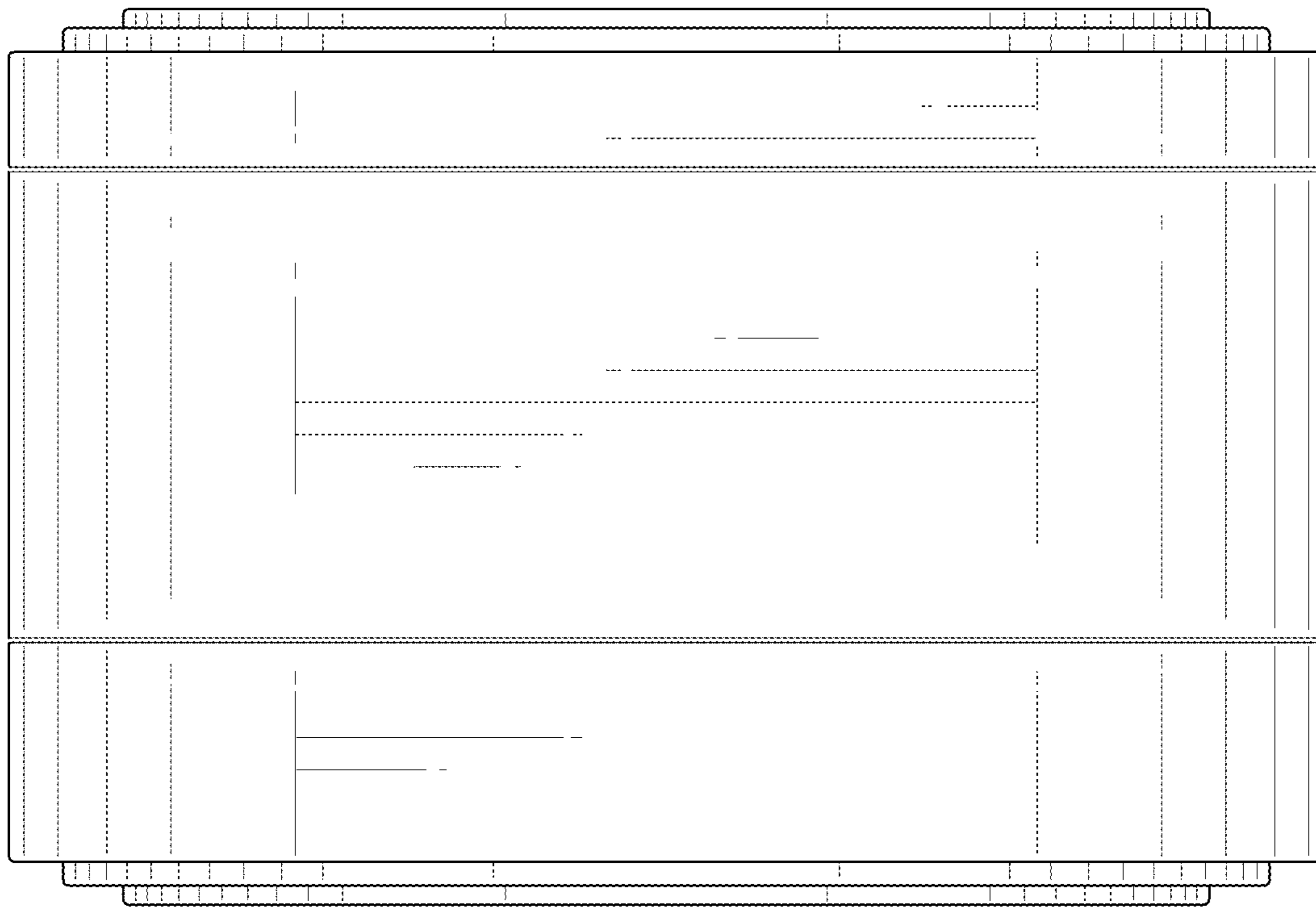


FIG. 3

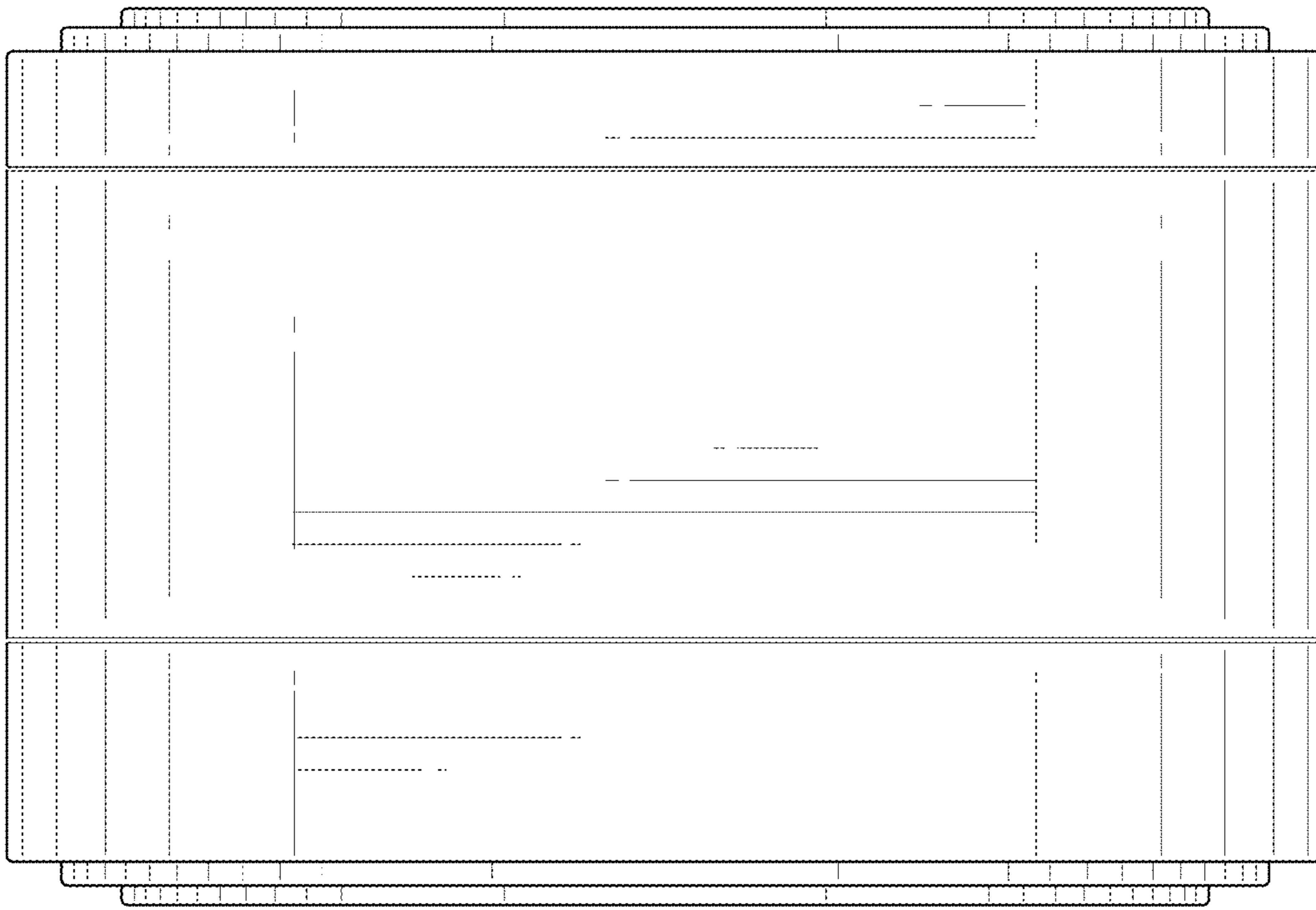


FIG. 5

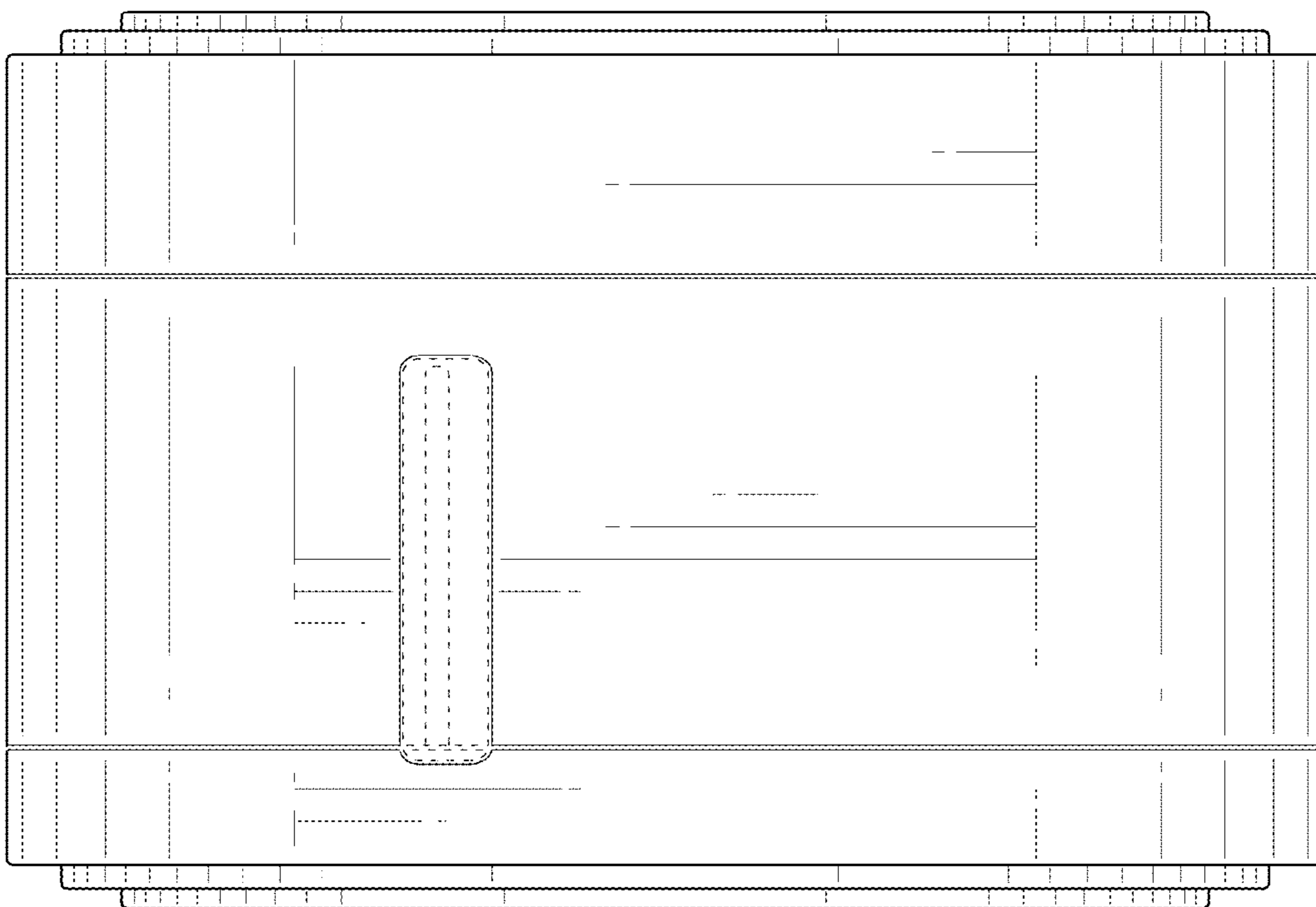


FIG. 4