



US00D900922S

(12) **United States Design Patent** (10) **Patent No.:** **US D900,922 S**  
**Huang** (45) **Date of Patent:** **\*\* Nov. 3, 2020**

(54) **EYEGLASS MAGNET CONNECTION**

FOREIGN PATENT DOCUMENTS

(71) Applicant: **Wen-Tse Huang**, Kaohsiung (TW)

DE 2631842 A1 \* 1/1978 ..... E05D 9/005  
DE 2708533 A1 \* 8/1978 ..... E05D 9/005

(72) Inventor: **Wen-Tse Huang**, Kaohsiung (TW)

(Continued)

(\*\*) Term: **15 Years**

OTHER PUBLICATIONS

(21) Appl. No.: **29/691,078**

CliC XXL Adjustable Front Magnetic Connect Expandable Reading Glasses, reviewed Aug. 2015, [online], [site visited May 26, 2020]. Available from Internet, <URL: <https://www.amazon.com/CliC-Adjustable-Magnetic-Connect-Expandable/dp/B00CFXKRM6#customerReviews>> (Year: 2015).\*

(22) Filed: **May 14, 2019**

(51) **LOC (12) Cl.** ..... **16-06**

(52) **U.S. Cl.**

USPC ..... **D16/334**

(58) **Field of Classification Search**

USPC ..... D16/101, 300, 301, 303, 310, 311, 312, D16/313-316, 319, 320, 325-326, 328, D16/329, 330, 331, 332, 334, 335, 340, D16/341, 342; D29/109-110; D14/372; 351/41, 44, 45-48, 51-52, 62, 158, 92, 351/103-123, 140-153, 63, 59  
CPC ..... A63B 33/00; A63B 33/002; G02C 1/00; G02C 1/02; G02C 1/04; G02C 1/06; G02C 5/02; G02C 5/04; G02C 5/08; G02C 5/12; G02C 5/22; G02C 9/00; G02C 9/02; G02C 9/04; G02C 11/00; G02C 11/02; G02C 2200/00; G02C 2200/02

Primary Examiner — Sanjeev Paul

(74) Attorney, Agent, or Firm — Alan D. Kamrath; Mayer & Williams PC

See application file for complete search history.

(57) **CLAIM**

The ornamental design for an eyeglass magnet connection, as shown and described.

**DESCRIPTION**

FIG. 1 is a perspective view of an eyeglass magnet connection showing my design;  
FIG. 2 is a front elevational view thereof;  
FIG. 3 is a rear elevational view thereof;  
FIG. 4 is a right elevational view thereof;  
FIG. 5 is a left elevational view thereof;  
FIG. 6 is a top plan view thereof;  
FIG. 7 is a bottom plan view thereof;  
FIG. 8 is a sectional view thereof taken along section line 8-8 of FIG. 6; and,  
FIG. 9 is a perspective view of the eyeglass magnet connection in accordance with my design, shown in its environment thereof.  
The broken lines shown in FIG. 9 are included for the purpose of illustrating environment only and form no part of the claimed design.

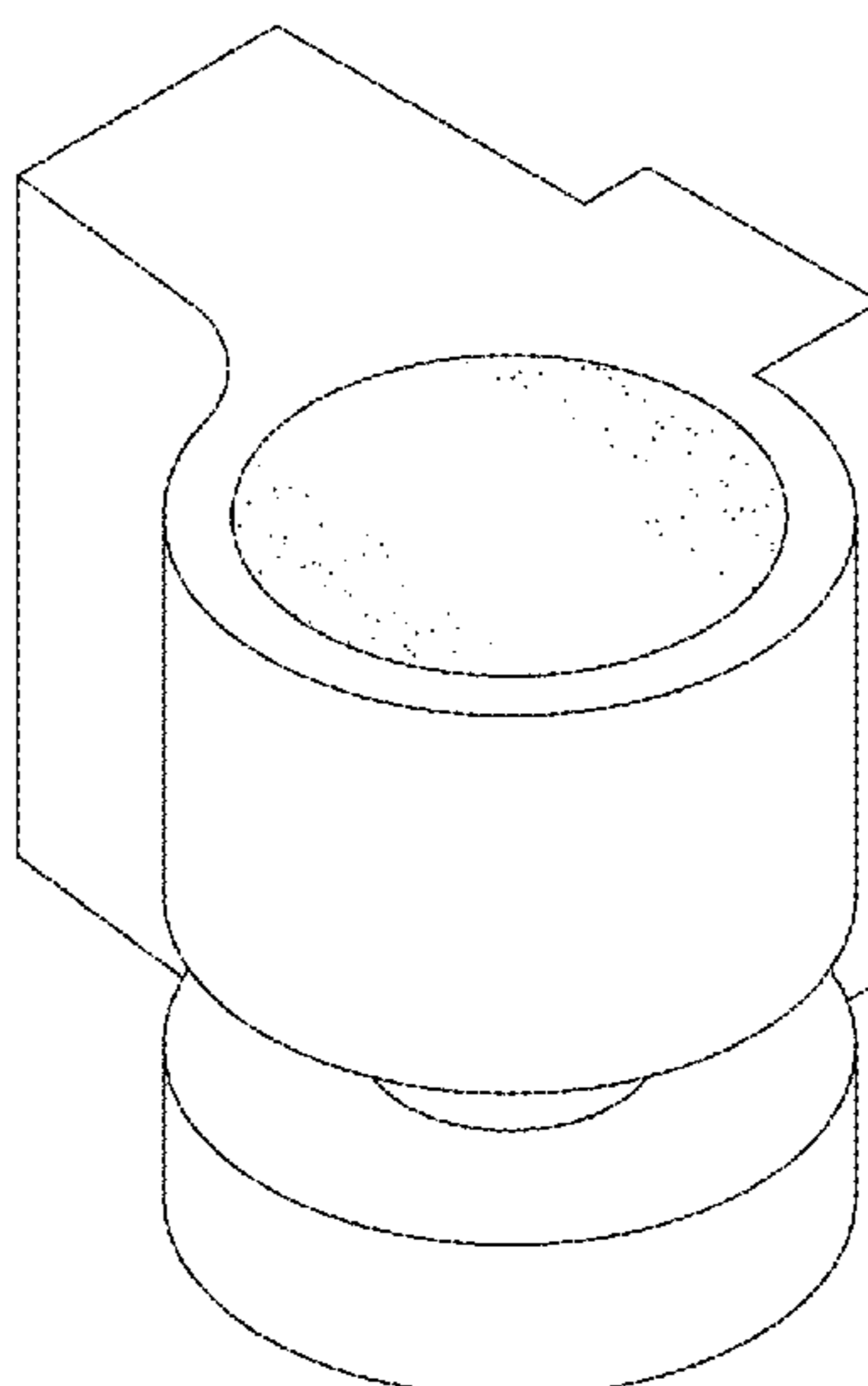
(56) **References Cited**

U.S. PATENT DOCUMENTS

1,093,355 A \* 4/1914 Persohn ..... G02C 5/12 351/75  
1,595,577 A \* 8/1926 Shupack ..... G02C 5/22 351/121  
1,729,901 A \* 10/1929 Simonds ..... G02C 5/22 264/249  
1,814,032 A \* 7/1931 Haase ..... G02C 5/22 351/113  
1,928,172 A \* 9/1933 Eglinton ..... G02C 5/22 16/228

(Continued)

**1 Claim, 9 Drawing Sheets**



(56)

References Cited

U.S. PATENT DOCUMENTS

1,958,952 A \* 5/1934 Pappert ..... G02C 5/22  
351/121  
D100,346 S \* 7/1936 Eagle ..... D16/334  
2,270,338 A \* 1/1942 Person ..... G02C 5/22  
351/121  
2,282,242 A \* 5/1942 Person ..... G02C 5/22  
351/121  
2,326,971 A \* 8/1943 Rey ..... G02C 5/22  
351/153  
2,745,314 A \* 5/1956 Rabb ..... G02C 5/22  
16/228  
3,890,672 A \* 6/1975 Berthagen ..... E05D 3/02  
16/340  
4,561,735 A \* 12/1985 Levoy ..... G02C 5/22  
16/228  
5,011,274 A \* 4/1991 Wagner ..... G02C 5/2281  
351/121  
5,208,616 A \* 5/1993 Chang ..... G02C 5/006  
351/158  
5,971,539 A \* 10/1999 Kobayashi ..... G02C 5/2209  
16/228  
6,601,955 B1 \* 8/2003 Le Van Meautte ..... G02C 5/12  
351/130  
D857,789 S \* 8/2019 Huang ..... 16/334

D884,779 S \* 5/2020 Huang ..... D16/334  
2006/0126011 A1 \* 6/2006 Chen ..... G02C 5/2236  
351/113  
2006/0132706 A1 \* 6/2006 Li ..... G02C 5/2254  
351/153  
2007/0121061 A1 \* 5/2007 Kim ..... G02C 5/10  
351/153  
2008/0074608 A1 \* 3/2008 Chen ..... G02C 5/2263  
351/120  
2011/0030179 A1 \* 2/2011 Shiue ..... A44B 11/20  
24/594.11  
2018/0143457 A1 \* 5/2018 Huang ..... G02C 5/10

FOREIGN PATENT DOCUMENTS

DE 2909075 A1 \* 9/1980 ..... E05D 9/005  
DE 3022229 A1 \* 1/1982 ..... G02C 5/22  
DE 3022230 A1 \* 1/1982 ..... E05D 9/005  
FR 819833 A \* 10/1937 ..... G02C 5/22  
FR 2438279 A2 \* 4/1980 ..... G02C 11/02  
JP 2000075253 A \* 3/2000 ..... G02C 9/00  
JP 2004109841 A \* 4/2004 ..... G02C 5/22  
WO WO-9722902 A1 \* 6/1997 ..... G02C 5/22  
WO WO-2010007692 A1 \* 1/2010 ..... G02C 5/22  
WO WO-2016084045 A1 \* 6/2016 ..... G02C 5/22  
WO WO-2016088993 A1 \* 6/2016 ..... G02C 5/22  
WO WO-2016098749 A1 \* 6/2016 ..... F16C 11/10

\* cited by examiner

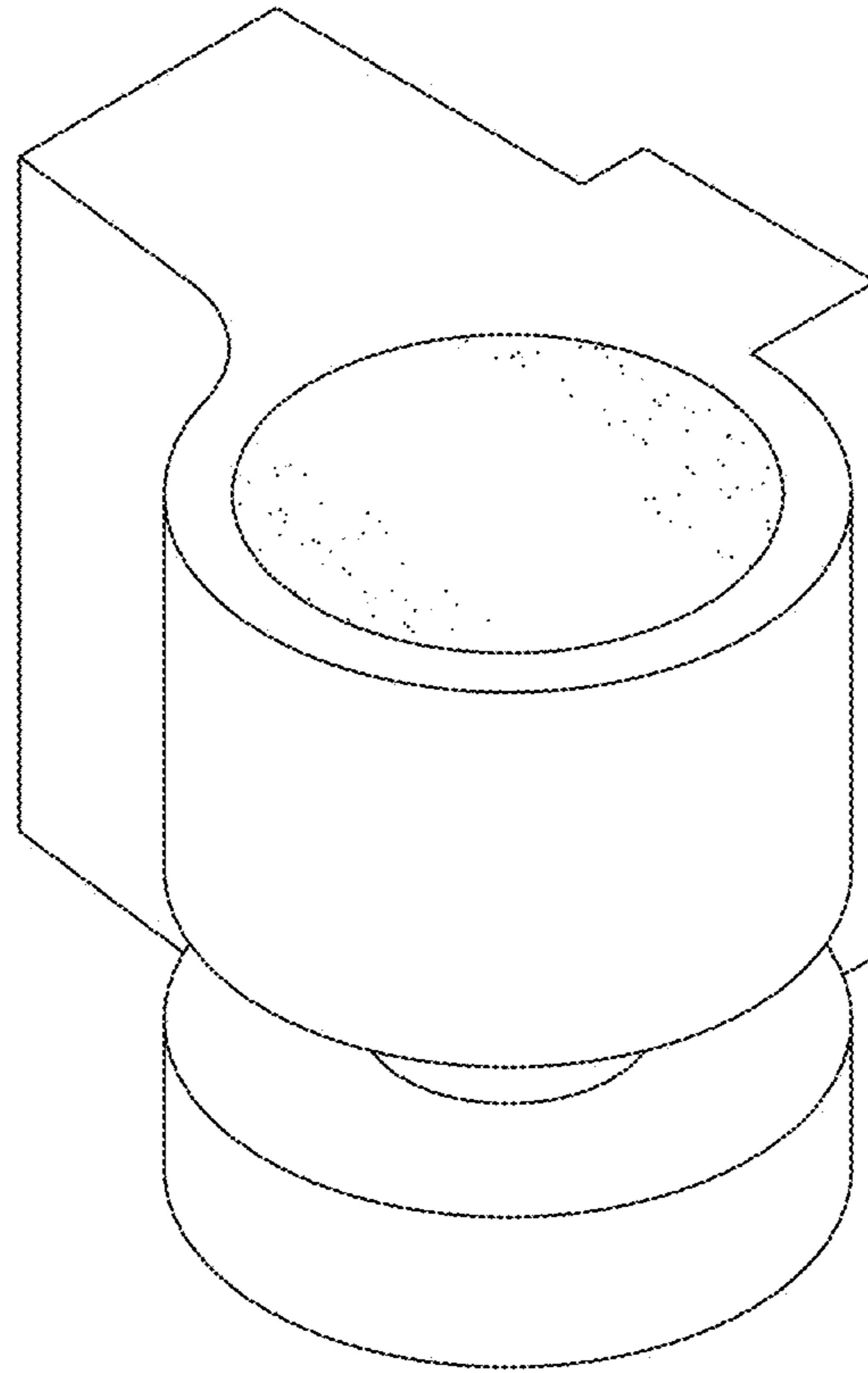


FIG.1

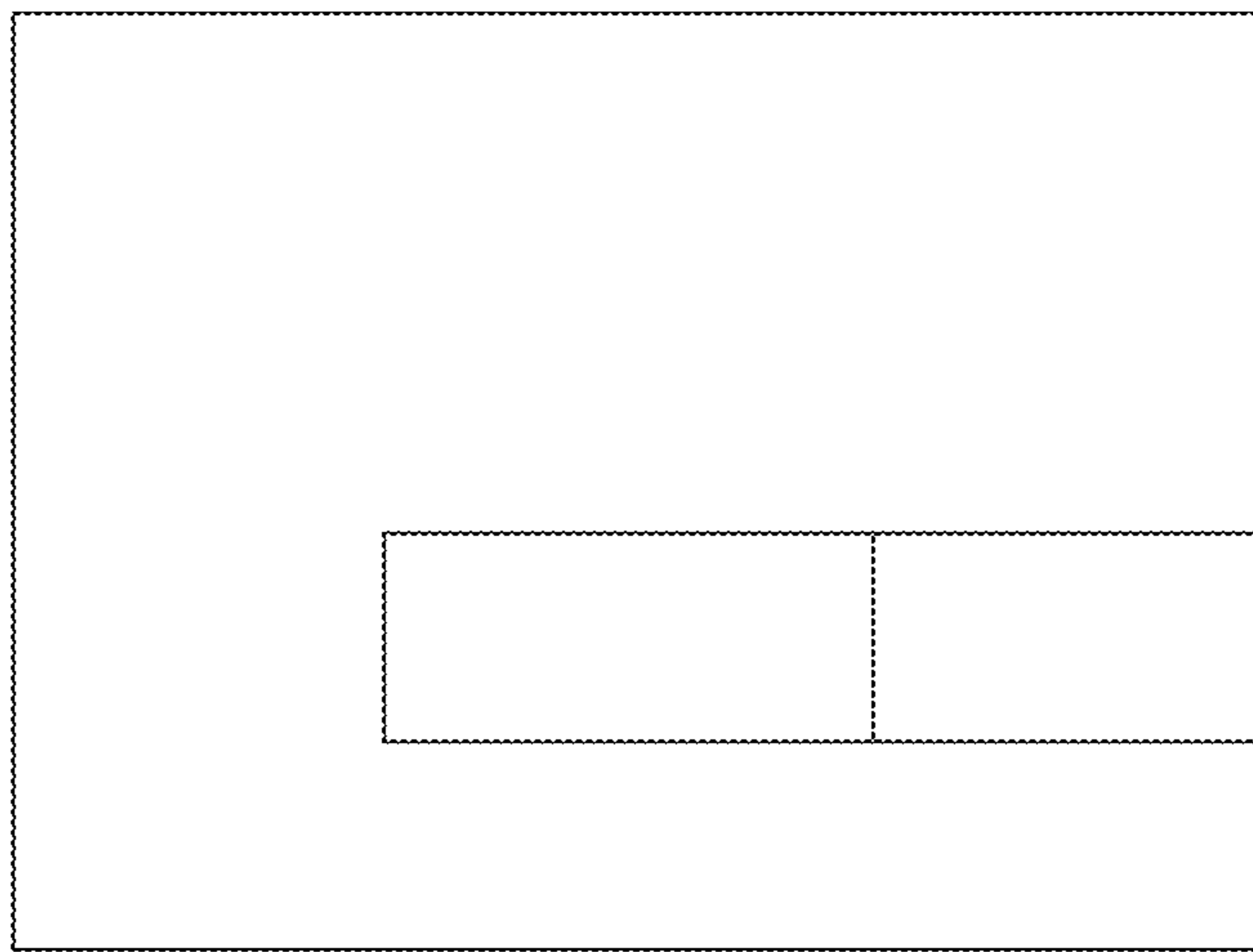


FIG.2

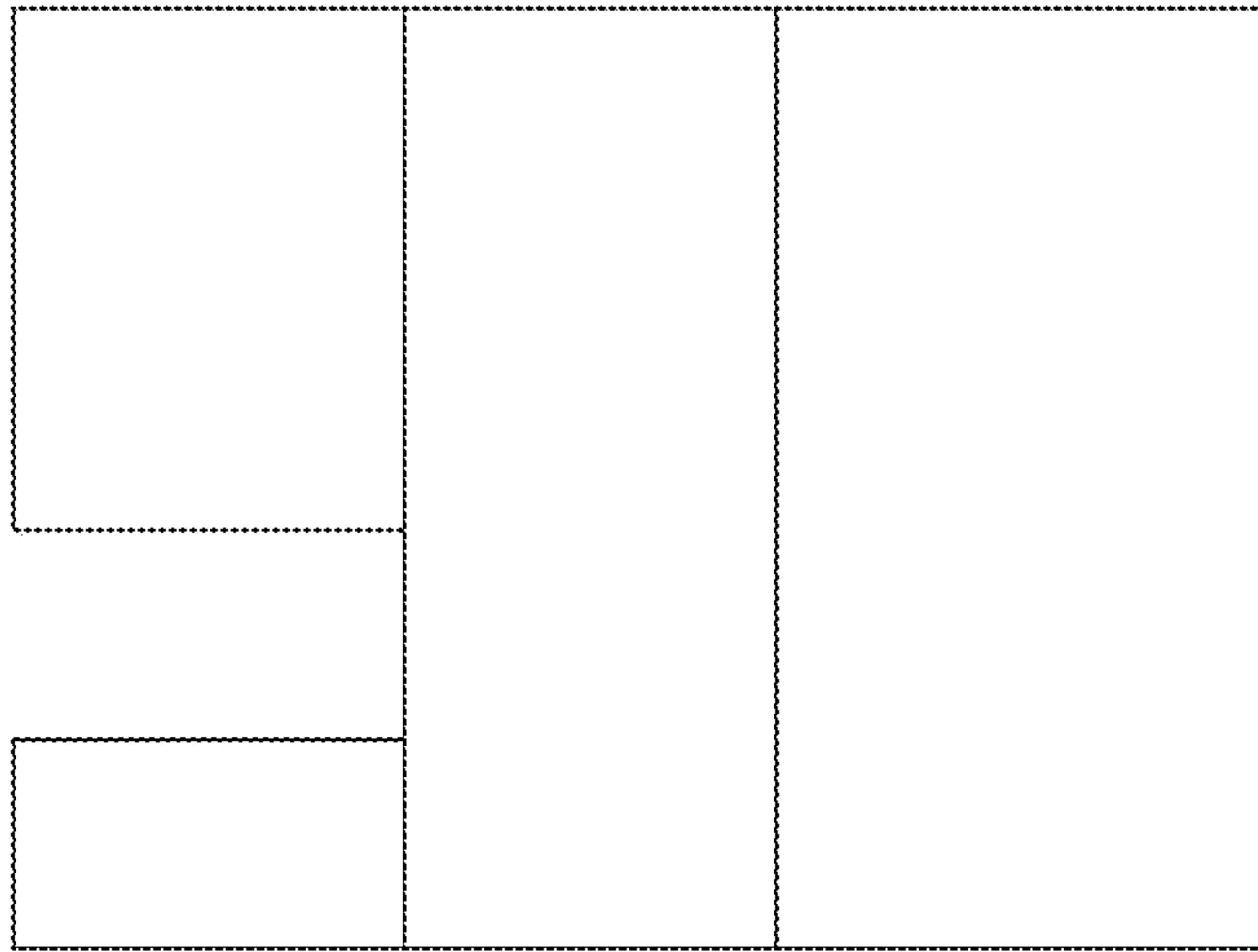


FIG.3

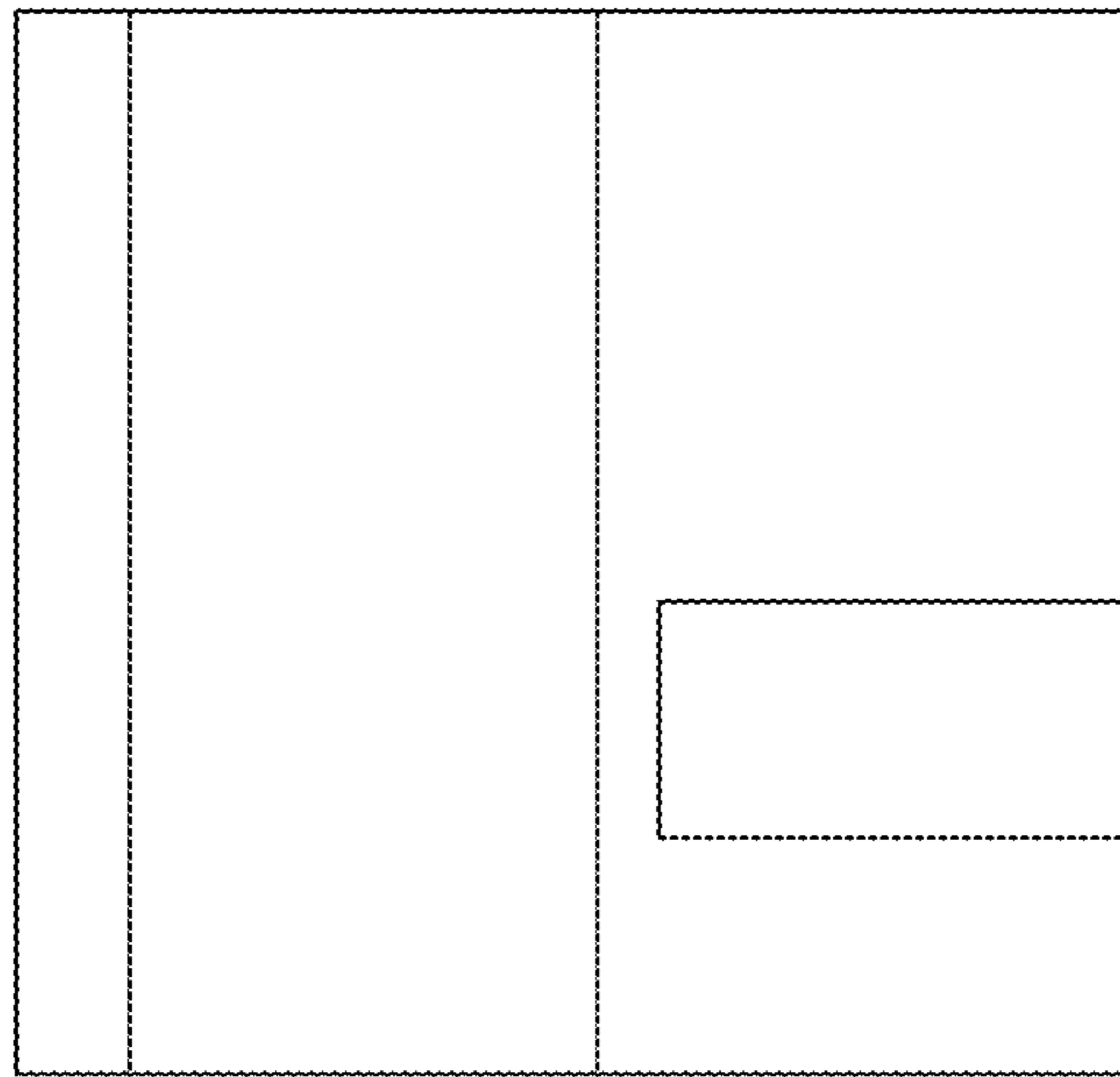


FIG.4

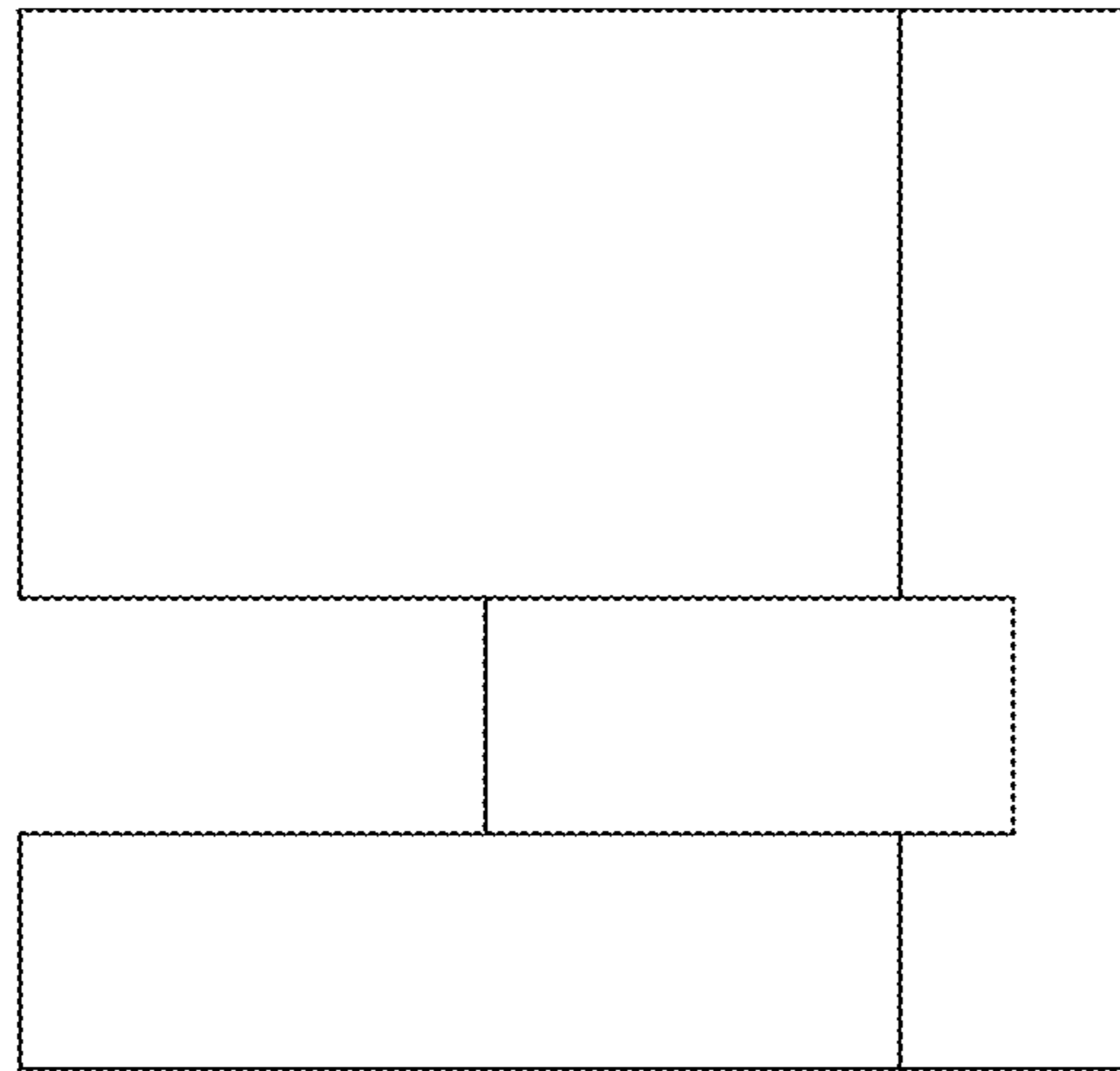


FIG.5

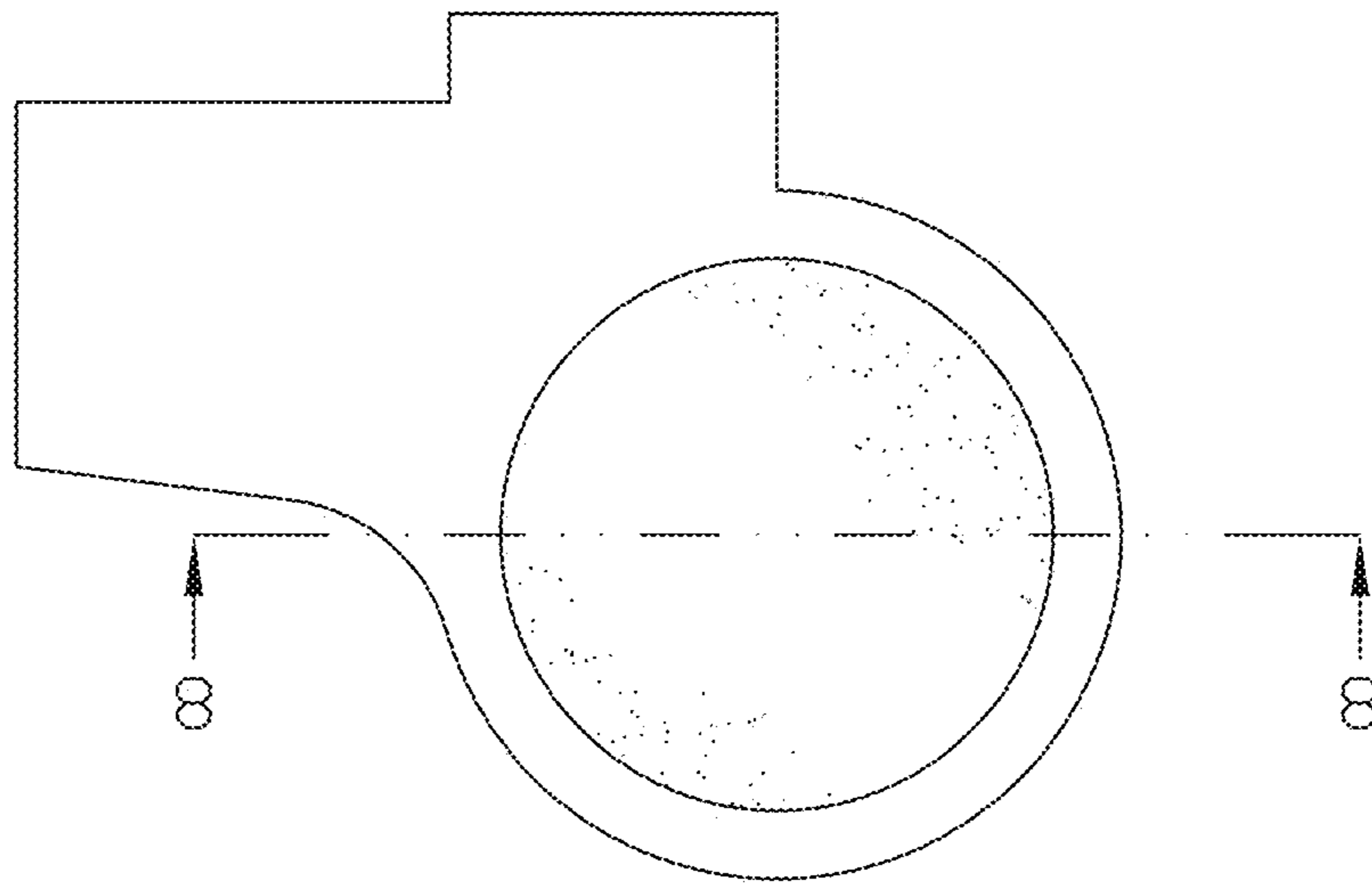


FIG.6



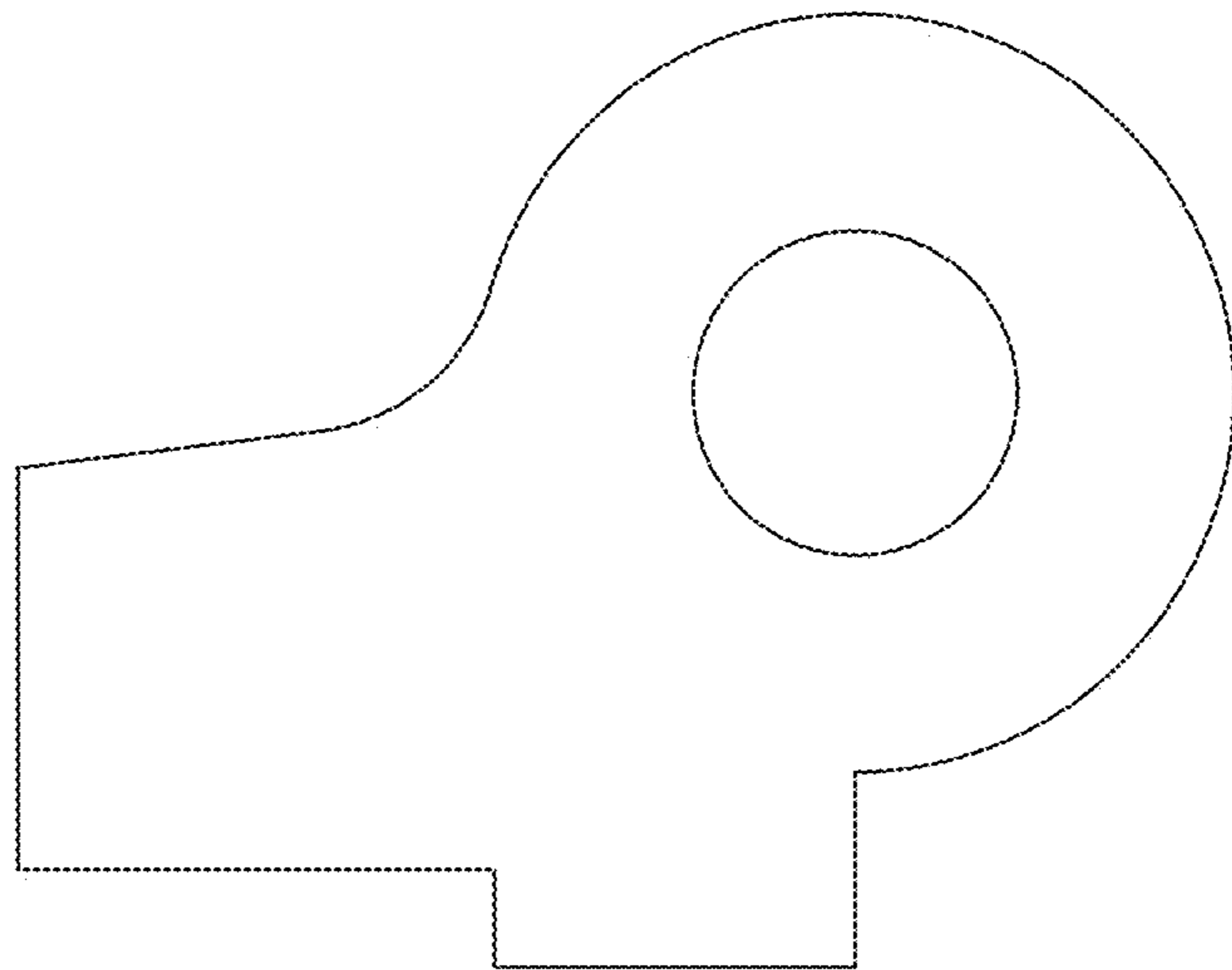


FIG.7

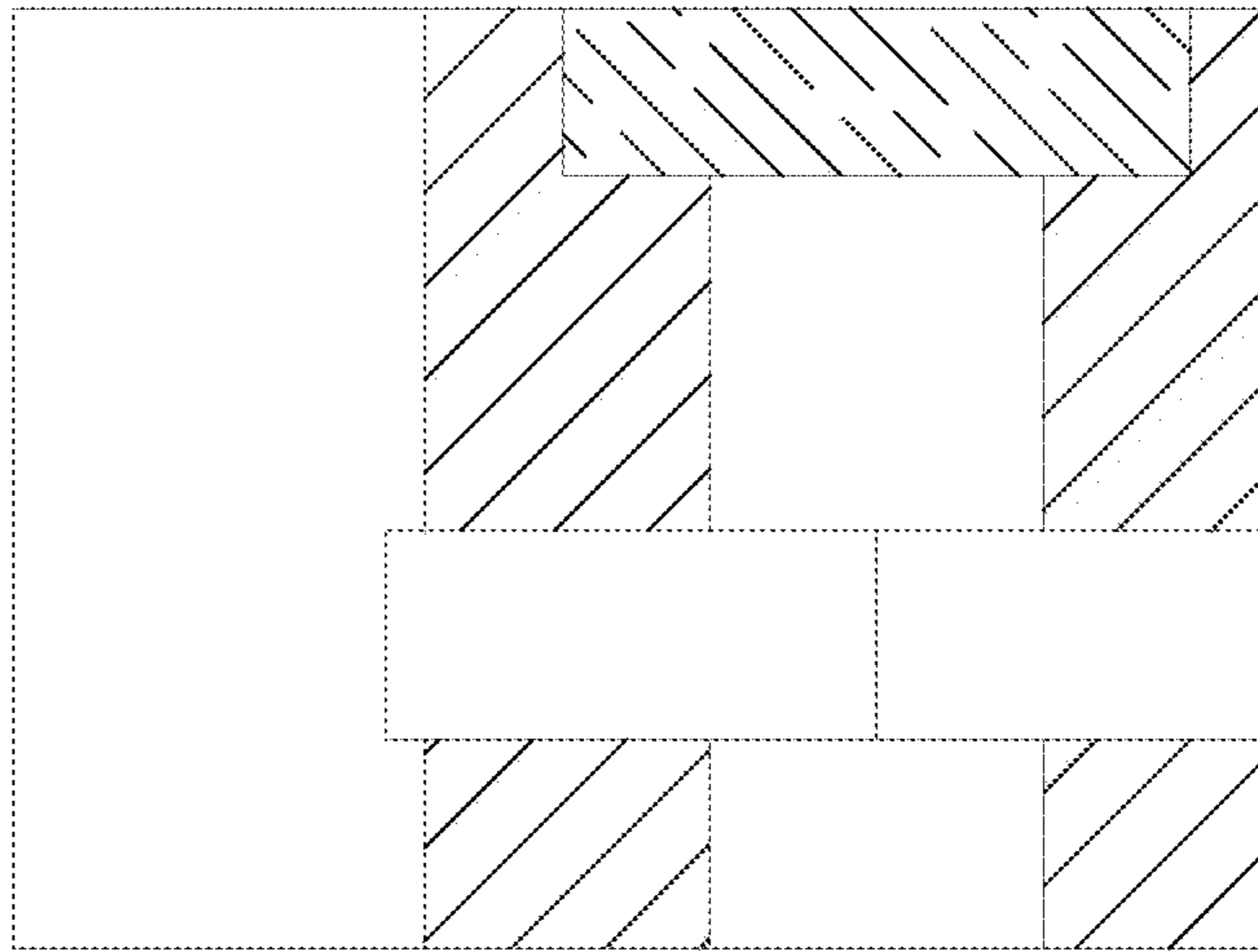


FIG. 8

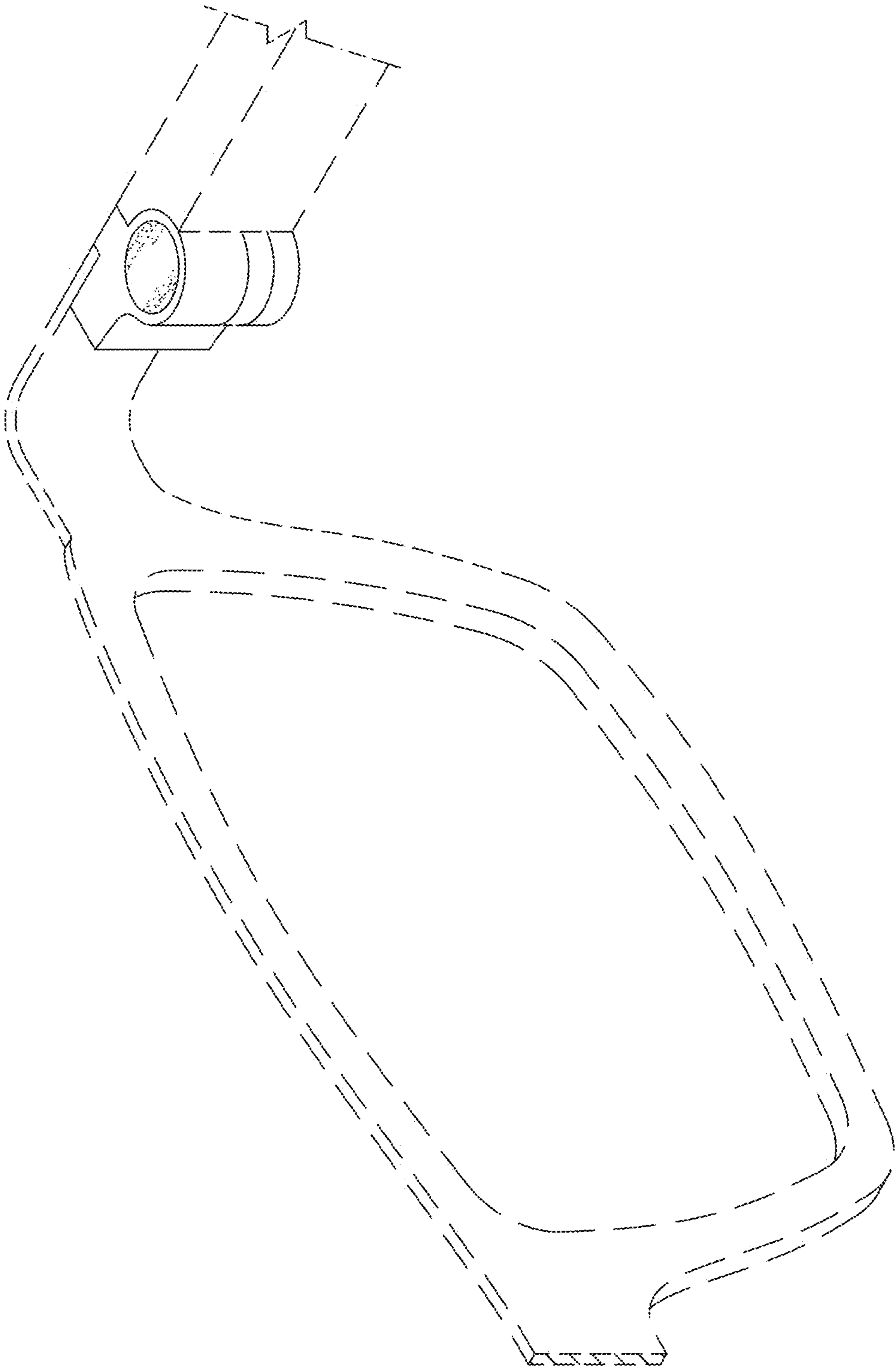


FIG.9