



US00D900921S

(12) **United States Design Patent** (10) **Patent No.:** **US D900,921 S**
Huang (45) **Date of Patent:** **** Nov. 3, 2020**

(54) **EYEGLASS MAGNET CONNECTION**

FOREIGN PATENT DOCUMENTS

(71) Applicant: **Wen-Tse Huang**, Kaohsiung (TW)

DE 2631842 A1 * 1/1978 E05D 9/005
DE 2708533 A1 * 8/1978 E05D 9/005

(72) Inventor: **Wen-Tse Huang**, Kaohsiung (TW)

(Continued)

(**) Term: **15 Years**

OTHER PUBLICATIONS

(21) Appl. No.: **29/691,076**

CliC XXL Adjustable Front Magnetic Connect Expandable Reading Glasses, reviewed Aug. 2015, [online], [site visited May 26, 2020]. Available from Internet, <URL: <https://www.amazon.com/CliC-Adjustable-Magnetic-Connect-Expandable/dp/B00CFXKRM6#customerReviews>> (Year: 2015).*

(22) Filed: **May 14, 2019**

(51) **LOC (12) Cl.** **16-06**

(52) **U.S. Cl.**
USPC **D16/334**

(58) **Field of Classification Search**

Primary Examiner — Sanjeev Paul

USPC D16/101, 300, 301, 303, 310, 311, 312, D16/313–316, 319, 320, 325–326, 328, D16/329, 330, 331, 332, 334, 335, 340, D16/341, 342; D29/109–110; D14/372; 351/41, 44, 45–48, 51–52, 62, 158, 92, 351/103–123, 140–153, 63, 59
CPC A63B 33/00; A63B 33/002; G02C 1/00; G02C 1/02; G02C 1/04; G02C 1/06; G02C 5/02; G02C 5/04; G02C 5/08; G02C 5/12; G02C 5/22; G02C 9/00; G02C 9/02; G02C 9/04; G02C 11/00; G02C 11/02; G02C 2200/00; G02C 2200/02

(74) *Attorney, Agent, or Firm* — Alan D. Kamrath; Mayer & Williams PC

See application file for complete search history.

(57) **CLAIM**

The ornamental design for an eyeglass magnet connection, as shown and described.

(56) **References Cited**

DESCRIPTION

U.S. PATENT DOCUMENTS

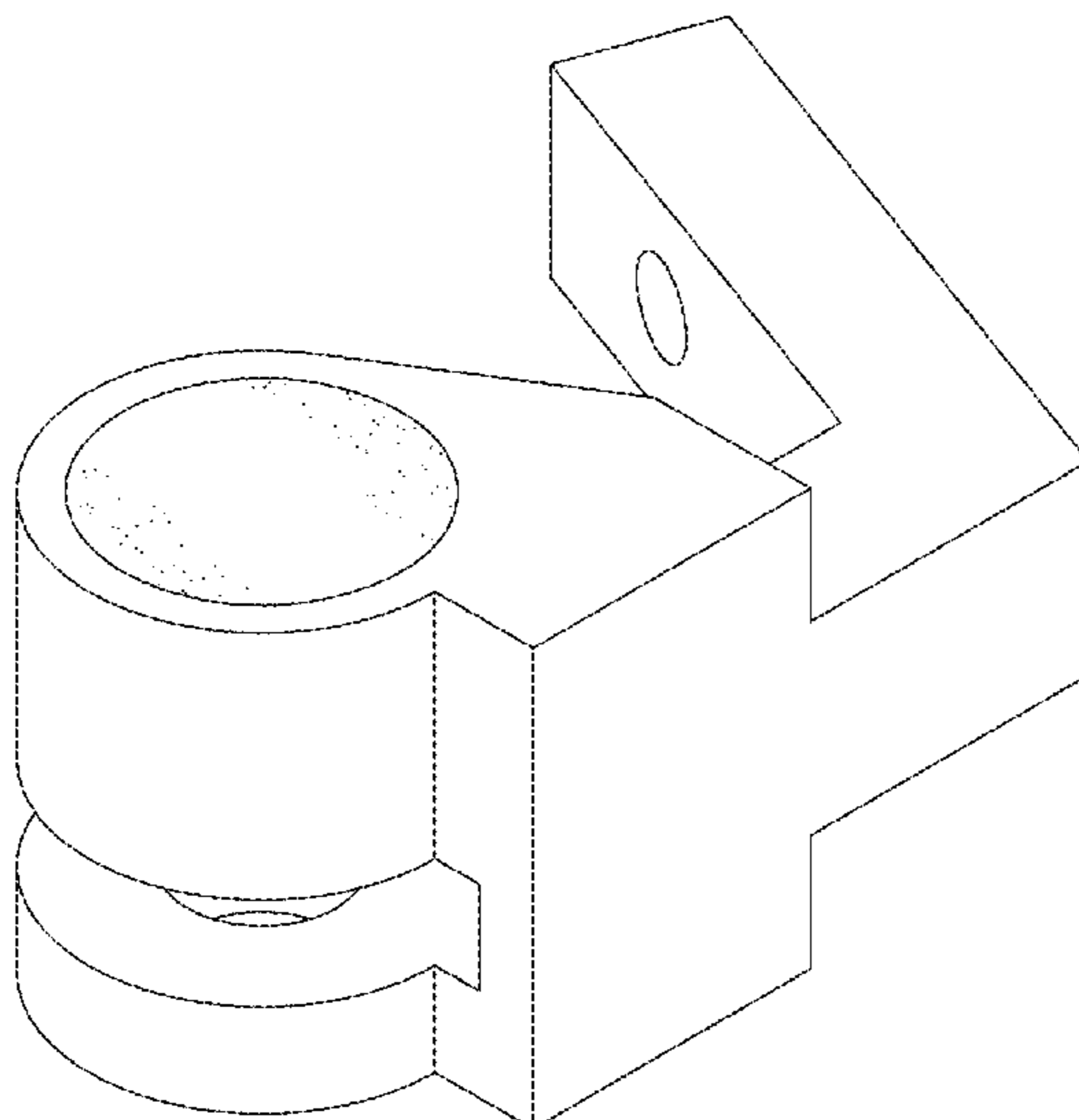
1,093,355 A * 4/1914 Persohn G02C 5/12 351/75
1,595,577 A * 8/1926 Shupack G02C 5/22 351/121
1,729,901 A * 10/1929 Simonds G02C 5/22 264/249
1,814,032 A * 7/1931 Haase G02C 5/22 351/113
1,928,172 A * 9/1933 Eglinton G02C 5/22 16/228

FIG. 1 is a perspective view of an eyeglass magnet connection showing my design;
FIG. 2 is a front elevational view thereof;
FIG. 3 is a rear elevational view thereof;
FIG. 4 is a right elevational view thereof;
FIG. 5 is a left elevational view thereof;
FIG. 6 is a top plan view thereof;
FIG. 7 is a bottom plan view thereof;
FIG. 8 is a sectional view thereof taken along section line 8-8 of FIG. 6; and,
FIG. 9 is a perspective view of the eyeglass magnet connection in accordance with my design, shown in its environment thereof.

The broken lines shown in FIG. 9 are included for the purpose of illustrating environment only and form no part of the claimed design.

(Continued)

1 Claim, 9 Drawing Sheets



(56)

References Cited

U.S. PATENT DOCUMENTS

1,958,952 A * 5/1934 Pappert G02C 5/22
351/121
D100,346 S * 7/1936 Eagle D16/334
2,270,338 A * 1/1942 Person G02C 5/22
351/121
2,282,242 A * 5/1942 Person G02C 5/22
351/121
2,326,971 A * 8/1943 Rey G02C 5/22
351/153
2,745,314 A * 5/1956 Rabb G02C 5/22
16/228
3,890,672 A * 6/1975 Berthagen E05D 3/02
16/340
4,561,735 A * 12/1985 Levoy G02C 5/22
16/228
5,011,274 A * 4/1991 Wagner G02C 5/2281
351/121
5,208,616 A * 5/1993 Chang G02C 5/006
351/158
5,971,539 A * 10/1999 Kobayashi G02C 5/2209
16/228
6,601,955 B1 * 8/2003 Le Van Meautte G02C 5/12
351/130
D857,789 S * 8/2019 Huang 16/334

D884,779 S * 5/2020 Huang D16/334
2006/0126011 A1 * 6/2006 Chen G02C 5/2236
351/113
2006/0132706 A1 * 6/2006 Li G02C 5/2254
351/153
2007/0121061 A1 * 5/2007 Kim G02C 5/10
351/153
2008/0074608 A1 * 3/2008 Chen G02C 5/2263
351/120
2011/0030179 A1 * 2/2011 Shiue A44B 11/20
24/594.11
2018/0143457 A1 * 5/2018 Huang G02C 5/10

FOREIGN PATENT DOCUMENTS

DE 2909075 A1 * 9/1980 E05D 9/005
DE 3022229 A1 * 1/1982 G02C 5/22
DE 3022230 A1 * 1/1982 E05D 9/005
FR 819833 A * 10/1937 G02C 5/22
FR 2438279 A2 * 4/1980 G02C 11/02
JP 2000075253 A * 3/2000 G02C 9/00
JP 2004109841 A * 4/2004 G02C 5/22
WO WO-9722902 A1 * 6/1997 G02C 5/22
WO WO-2010007692 A1 * 1/2010 G02C 5/22
WO WO-2016084045 A1 * 6/2016 G02C 5/22
WO WO-2016088993 A1 * 6/2016 G02C 5/22
WO WO-2016098749 A1 * 6/2016 F16C 11/10

* cited by examiner

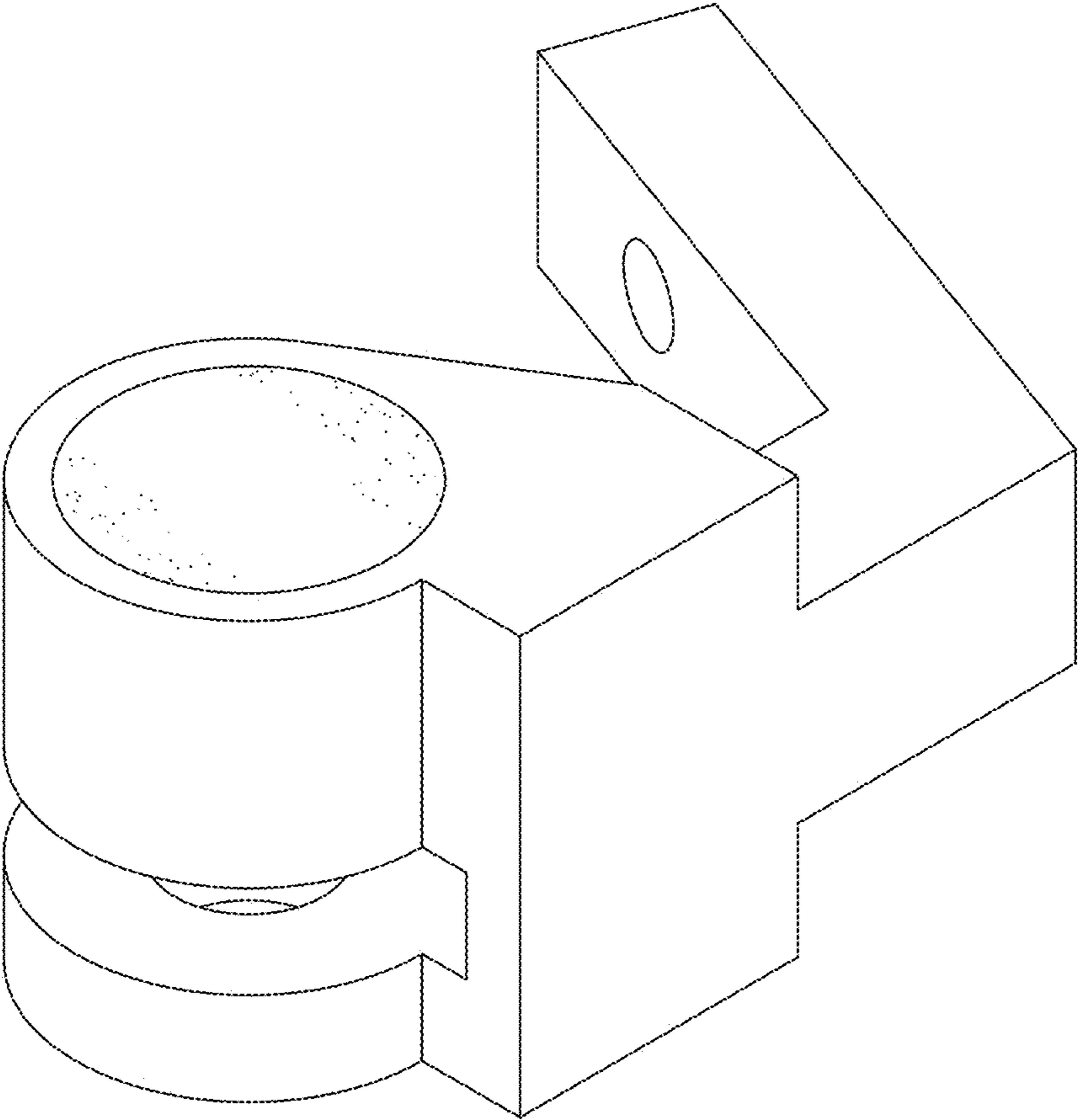


FIG.1

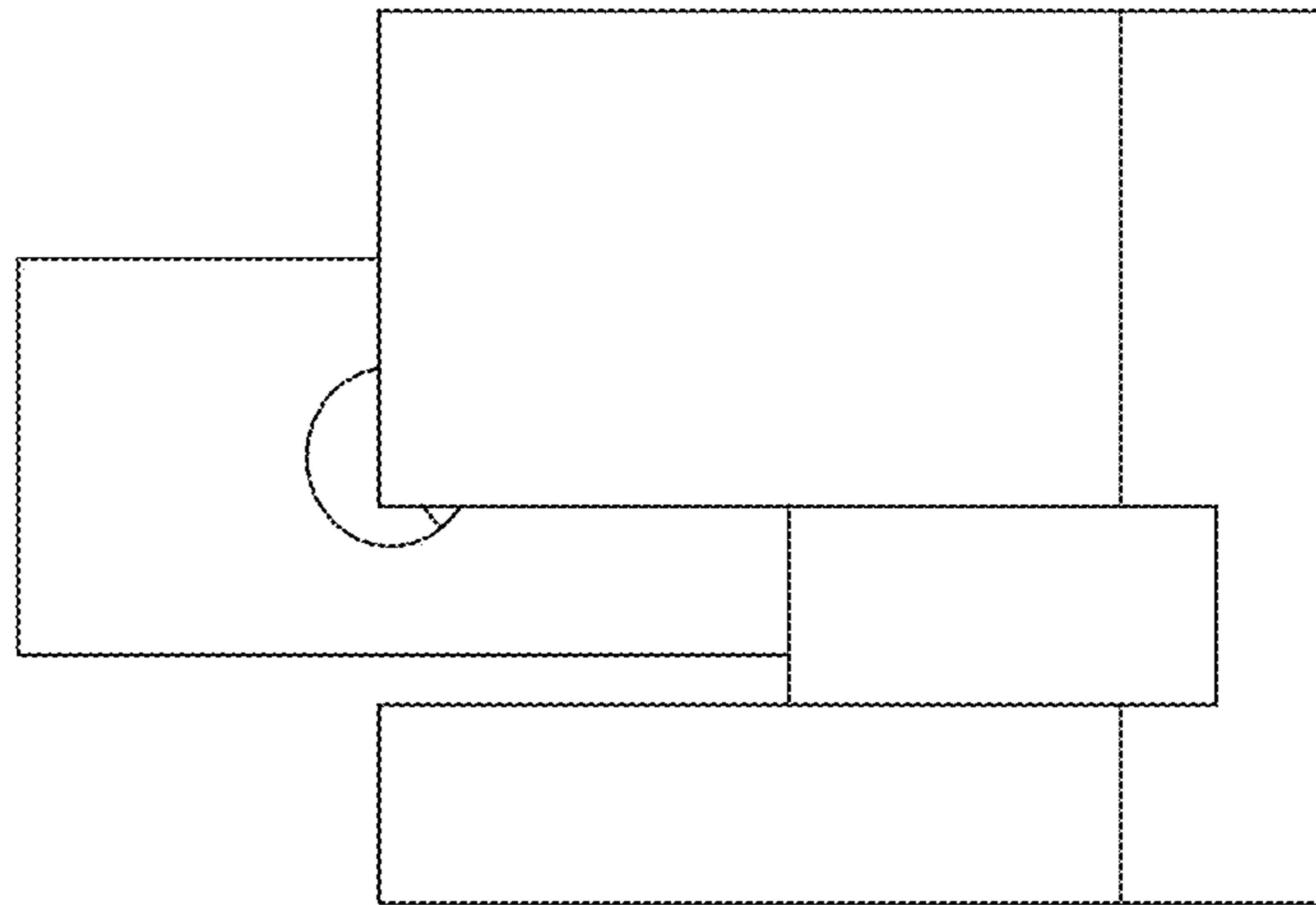


FIG. 2

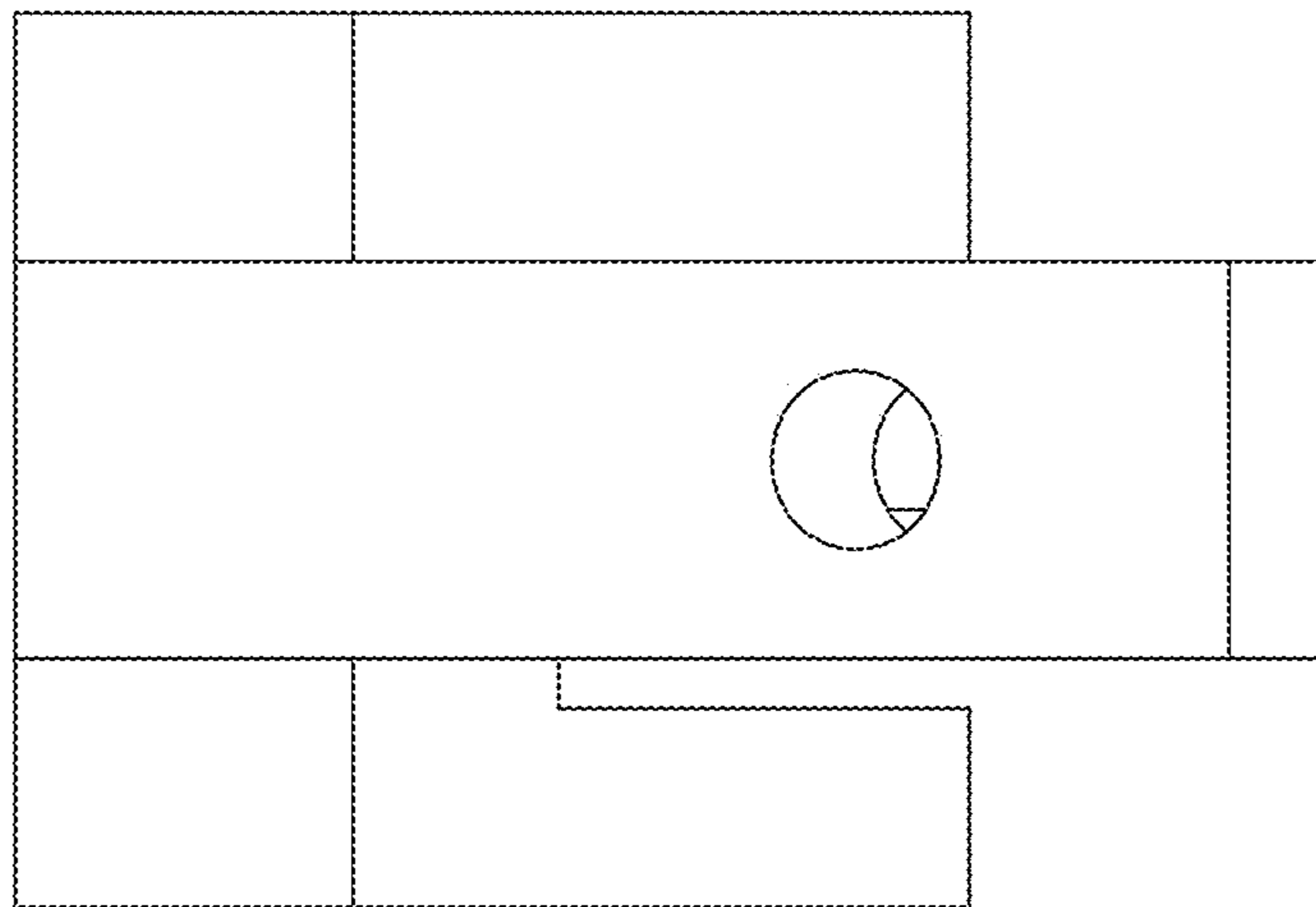


FIG.3

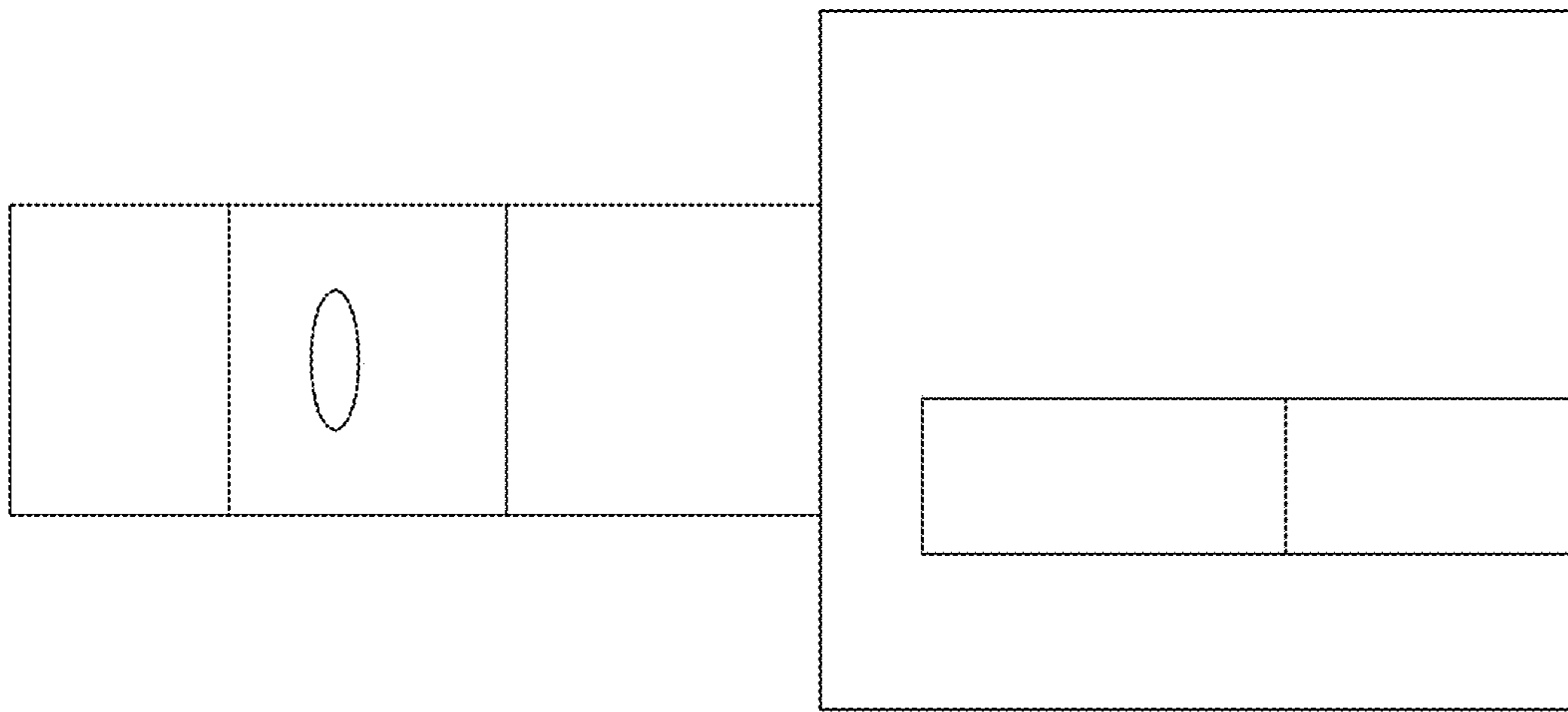


FIG.4

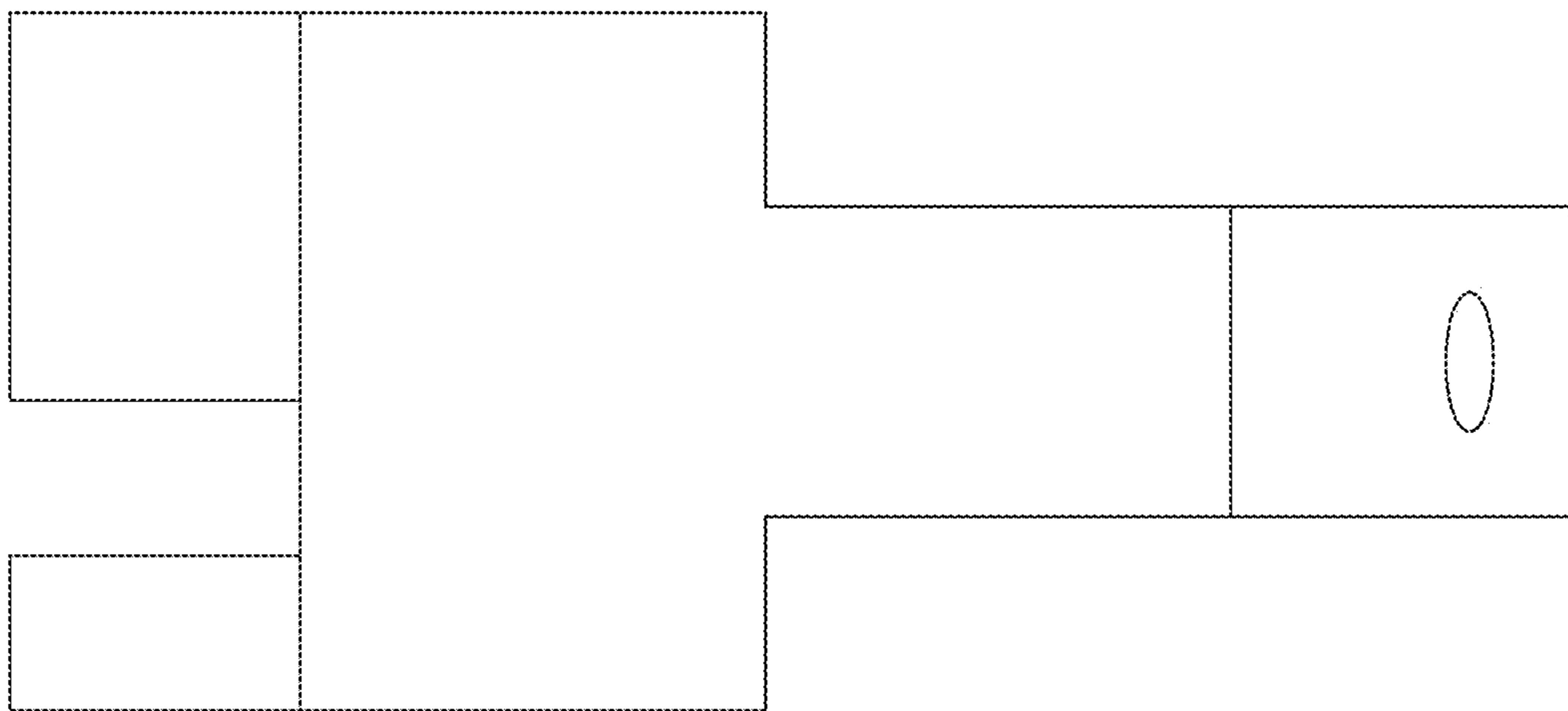


FIG.5

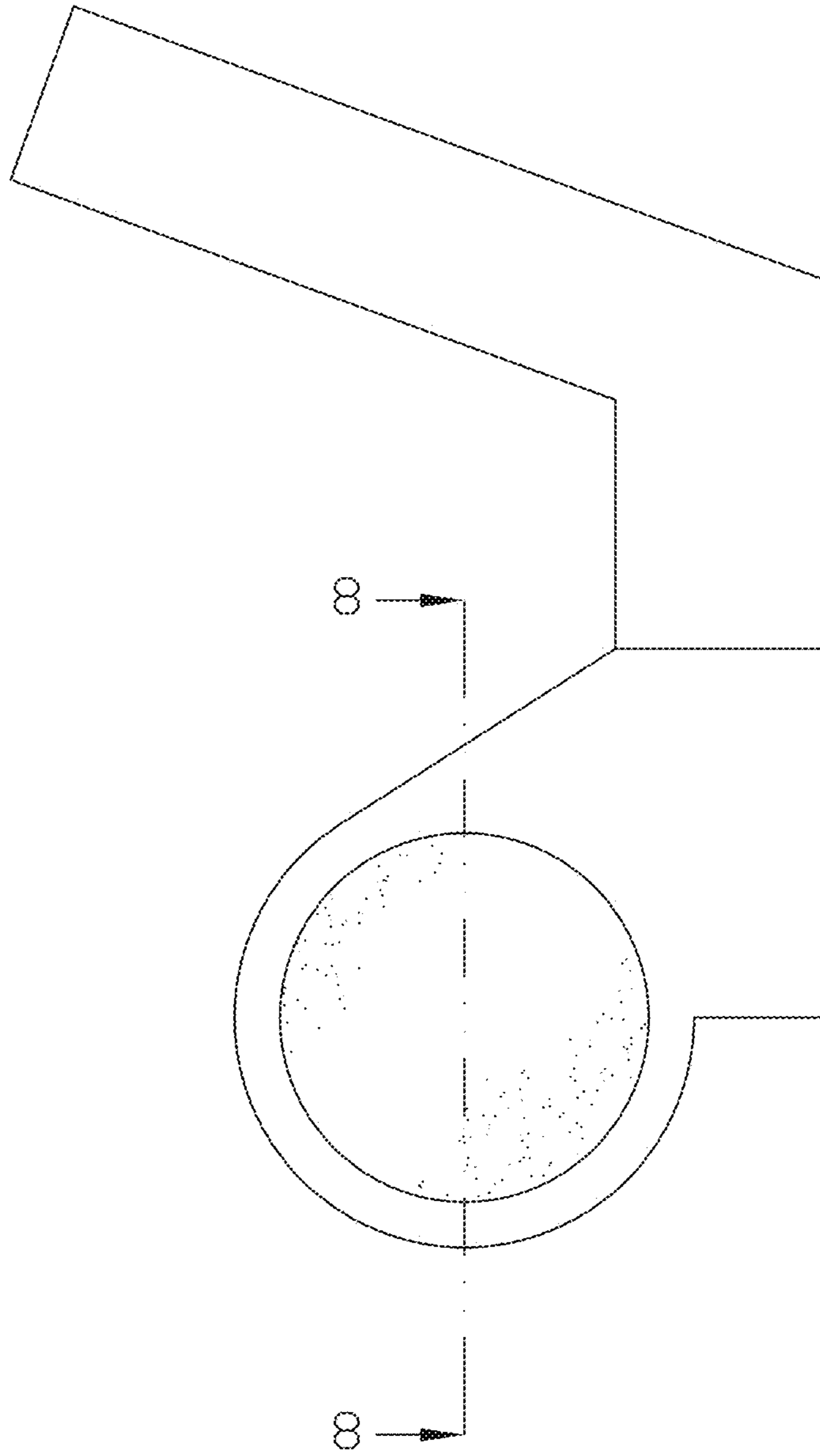


FIG.6

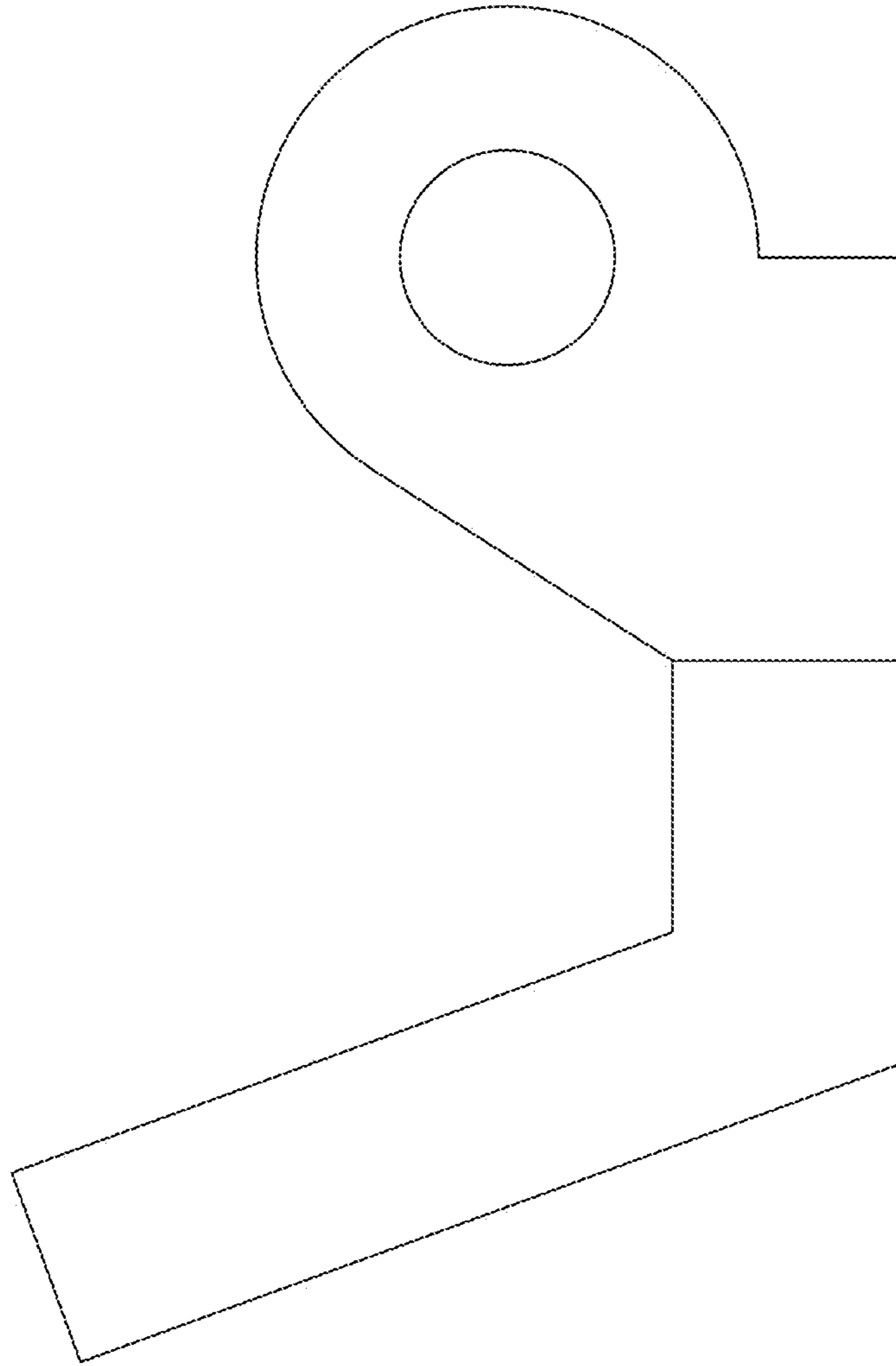


FIG.7

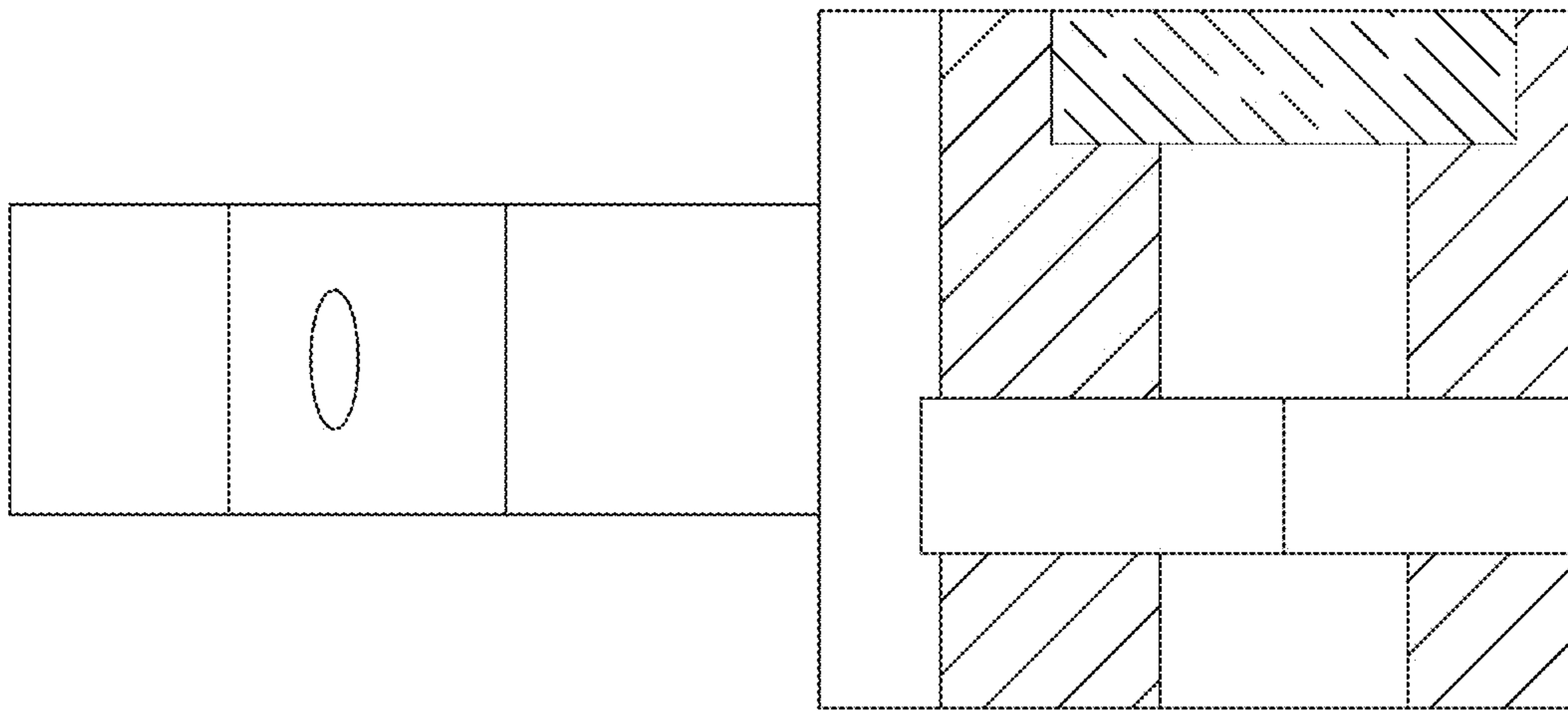


FIG.8

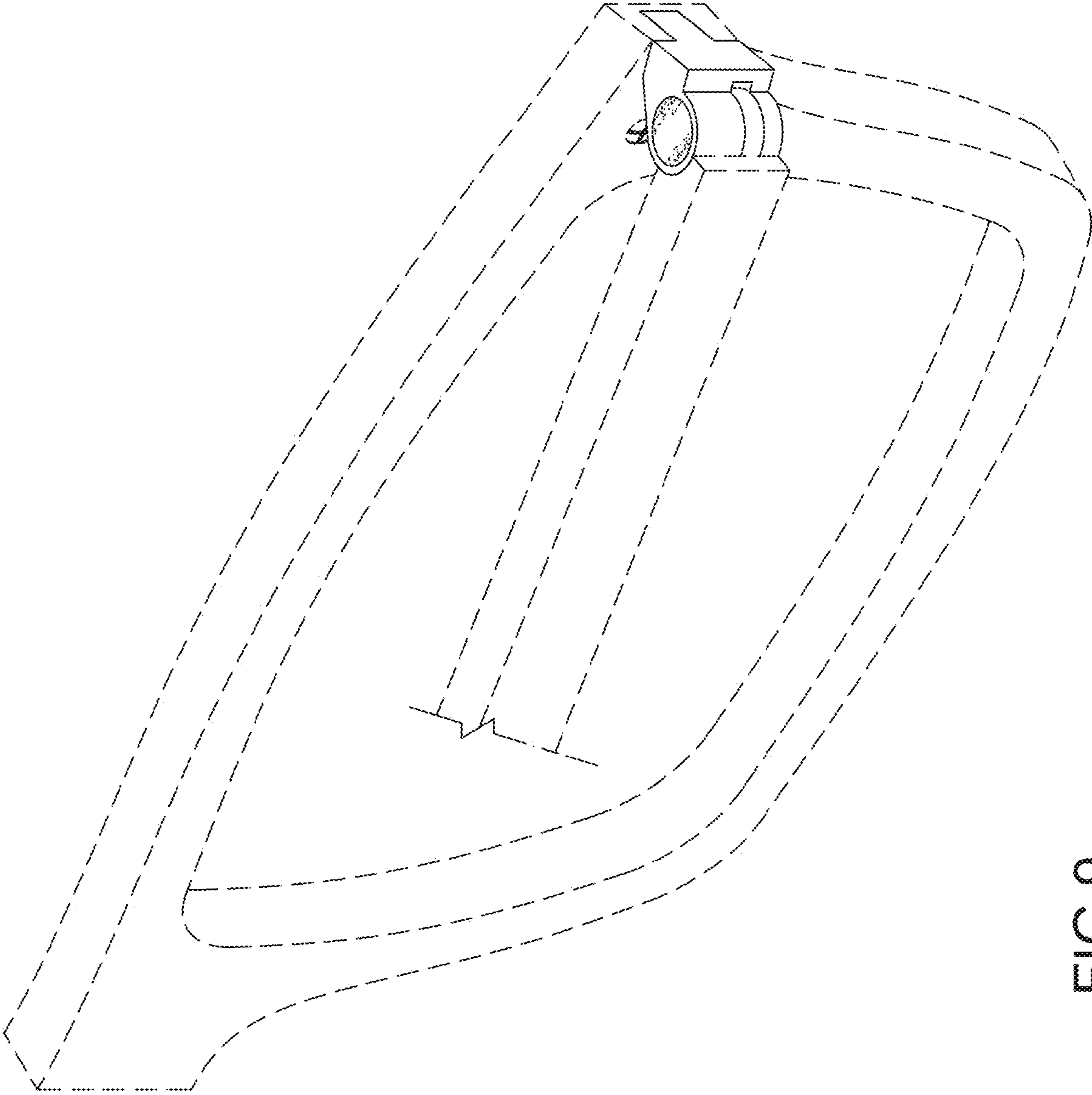


FIG.9