



US00D900919S

(12) **United States Design Patent**
Fountain et al.

(10) **Patent No.:** **US D900,919 S**

(45) **Date of Patent:** **** Nov. 3, 2020**

- (54) **COMBINED EAR MUFFS AND SAFETY GLASSES**
- (71) Applicant: **LOUD AND CLEAR SAFETY PTY LTD**, Harkaway (AU)
- (72) Inventors: **Peter David Fountain**, Harkaway (AU); **Jack Magree**, North Melbourne (AU); **Young Hua Peng**, Changhua Hsien (TW)
- (73) Assignee: **Loud and Clear Safety Pty Ltd**, Harkaway (AU)

- D383,455 S * 9/1997 MacInnes D14/372
- D392,629 S * 3/1998 Amafuji D14/372
- 5,724,119 A * 3/1998 Leight A61F 9/025
351/119
- 5,844,656 A * 12/1998 Ronzani G02B 27/0176
351/158
- D404,174 S * 1/1999 Childs D29/109
- D415,146 S * 10/1999 Hori D14/372
- D417,666 S * 12/1999 Morooka D14/372
- D427,982 S * 7/2000 Ishii D14/372
- D440,967 S * 4/2001 Jung D14/372
- D444,155 S * 6/2001 Morooka D14/496

(Continued)

- (**) Term: **15 Years**
- (21) Appl. No.: **29/681,963**
- (22) Filed: **Feb. 28, 2019**

(30) **Foreign Application Priority Data**

Aug. 31, 2018 (AU) 201815256

(51) **LOC (12) Cl.** **16-06**

(52) **U.S. Cl.**
USPC **D16/309**

(58) **Field of Classification Search**
USPC 348/115, 53, 121, 739; 345/7-9, 905;
351/158, 153, 144; D14/125, 126, 129,
D14/299, 372, 496, 432; D16/101, 300,
D16/303-304, 309-315, 317-323,
D16/325-340; D29/108, 109, 110, 112
CPC . A63B 33/00; A63B 33/002; A63B 2033/004;
A63B 2033/006; A63B 2033/008; G02C
2200/08; G02C 2200/22; G02C 5/008;
G02C 5/14; G02C 5/16; G02C 5/146;
G02C 5/2254; G02C 1/06; G02C 11/02;
G02C 11/04; A61M 2021/0044; B63C
11/12; A61F 9/00; A61F 9/02
See application file for complete search history.

(56) **References Cited**

U.S. PATENT DOCUMENTS

- D342,080 S * 12/1993 Cargle D16/309
- D352,300 S * 11/1994 Gales D14/205

FOREIGN PATENT DOCUMENTS

- EM 006270757-0001 * 2/2019
- JP D1518108 * 2/2015

Primary Examiner — Sanjeev Paul

(74) *Attorney, Agent, or Firm* — Maschoff Brennan

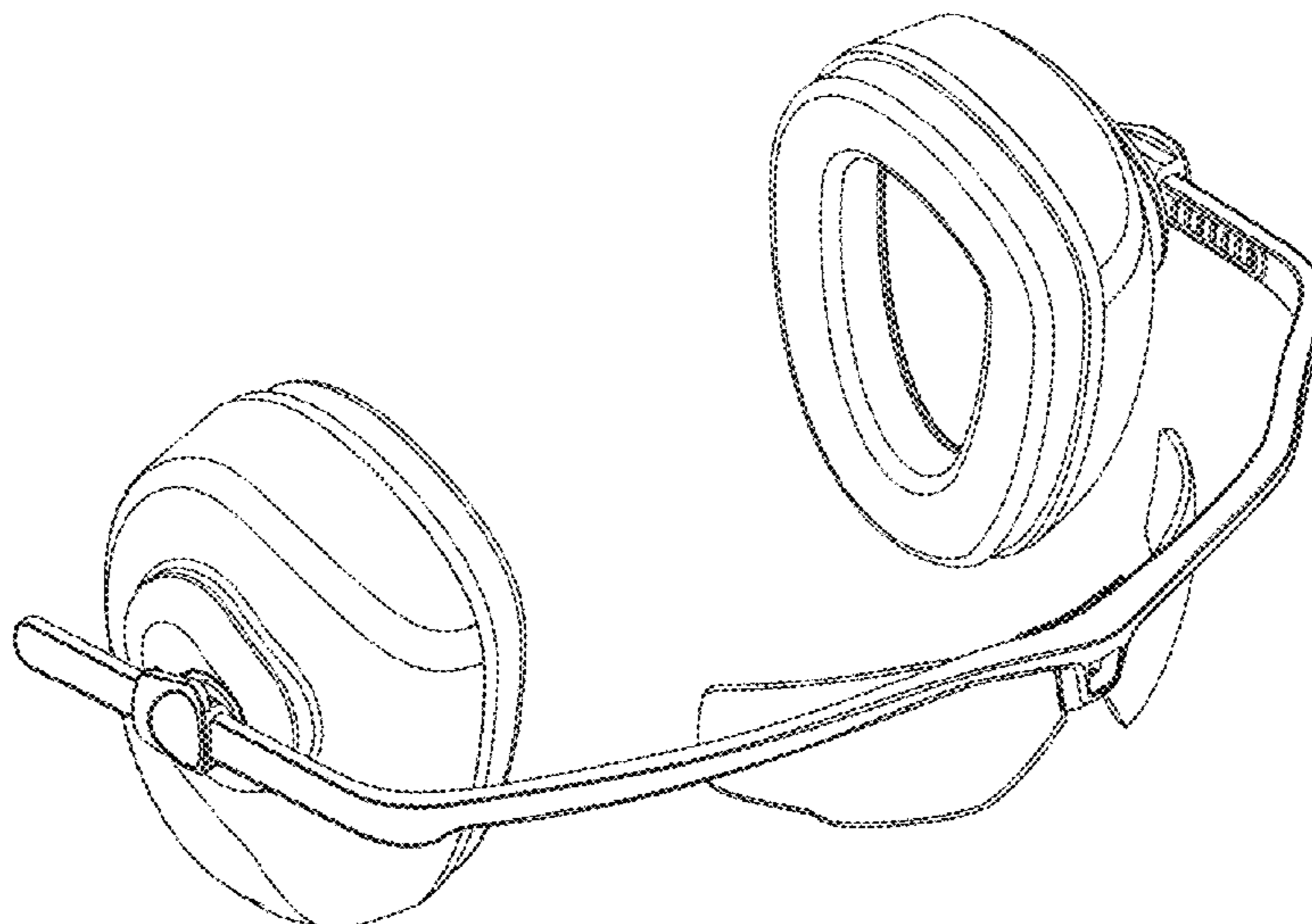
(57) **CLAIM**

The ornamental design for a combined ear muff and safety glasses, as shown and described.

DESCRIPTION

FIG. 1 is a top view of a combined ear muff and safety glasses;
FIG. 2 is a bottom view thereof;
FIG. 3 is a front view thereof;
FIG. 4 is rear view thereof;
FIG. 5 is a left side view thereof, illustrating the safety glasses in a down position;
FIG. 6 is a left side view thereof, illustrating the safety glasses in an up position;
FIG. 7 is a top perspective view thereof; and,
FIG. 8 is a bottom perspective thereof.

1 Claim, 6 Drawing Sheets



(56)

References Cited

U.S. PATENT DOCUMENTS

D485,855 S * 1/2004 Overthun D16/300
 6,690,807 B1 * 2/2004 Meyer G02C 5/143
 2/12
 7,020,901 B2 * 4/2006 Brhel A61F 11/14
 2/209
 7,175,273 B2 * 2/2007 Lee G02C 11/02
 351/158
 D687,434 S * 8/2013 Serota D14/372
 D688,294 S * 8/2013 Roy D16/309
 8,577,427 B2 * 11/2013 Serota G02B 27/017
 345/8
 8,621,664 B2 * 1/2014 Peebles A61F 9/029
 2/10
 8,641,221 B2 * 2/2014 Wright F21L 4/045
 351/158
 8,665,177 B2 * 3/2014 Herrmann G02B 27/017
 345/8
 8,732,864 B2 * 5/2014 Fountain A61F 11/14
 2/209
 D709,880 S * 7/2014 Kim D14/372
 D714,786 S * 10/2014 Pombo D14/372
 D722,054 S * 2/2015 Serota D14/372
 D727,896 S * 4/2015 Laluque D14/372
 D741,020 S * 10/2015 Fountain D29/109
 D741,857 S * 10/2015 Yong D14/205
 9,168,176 B2 * 10/2015 Peebles A63B 71/10

D760,225 S * 6/2016 Passmore D14/372
 D761,257 S * 7/2016 Passmore D14/372
 D771,625 S * 11/2016 Sullivan D14/372
 D771,740 S * 11/2016 Fromm D16/309
 D772,874 S * 11/2016 Jiang D14/372
 D773,461 S * 12/2016 Jiang D14/372
 D780,751 S * 3/2017 Park D14/372
 D780,753 S * 3/2017 Park D14/372
 D781,288 S * 3/2017 Park D14/372
 D781,289 S * 3/2017 Patel D14/372
 D785,619 S * 5/2017 Su D14/372
 9,668,921 B2 * 6/2017 Vollet G02C 3/02
 D791,126 S * 7/2017 Sullivan D14/372
 D795,867 S * 8/2017 Huang D14/372
 D805,071 S * 12/2017 Park D14/372
 D815,092 S * 4/2018 Liao D14/372
 D817,327 S * 5/2018 Sun D14/372
 D829,268 S * 9/2018 Lozano D16/311
 D861,683 S * 10/2019 Chou D14/372
 2005/0015852 A1 * 1/2005 Brhel A61F 11/14
 2/209
 2006/0158608 A1 * 7/2006 Lin G02C 11/10
 351/158
 2007/0200998 A1 * 8/2007 Schrimmer G02C 11/04
 351/158
 2007/0200999 A1 * 8/2007 Lee G02C 11/04
 351/158
 2011/0209273 A1 * 9/2011 Fountain A61F 11/14
 2/423

* cited by examiner

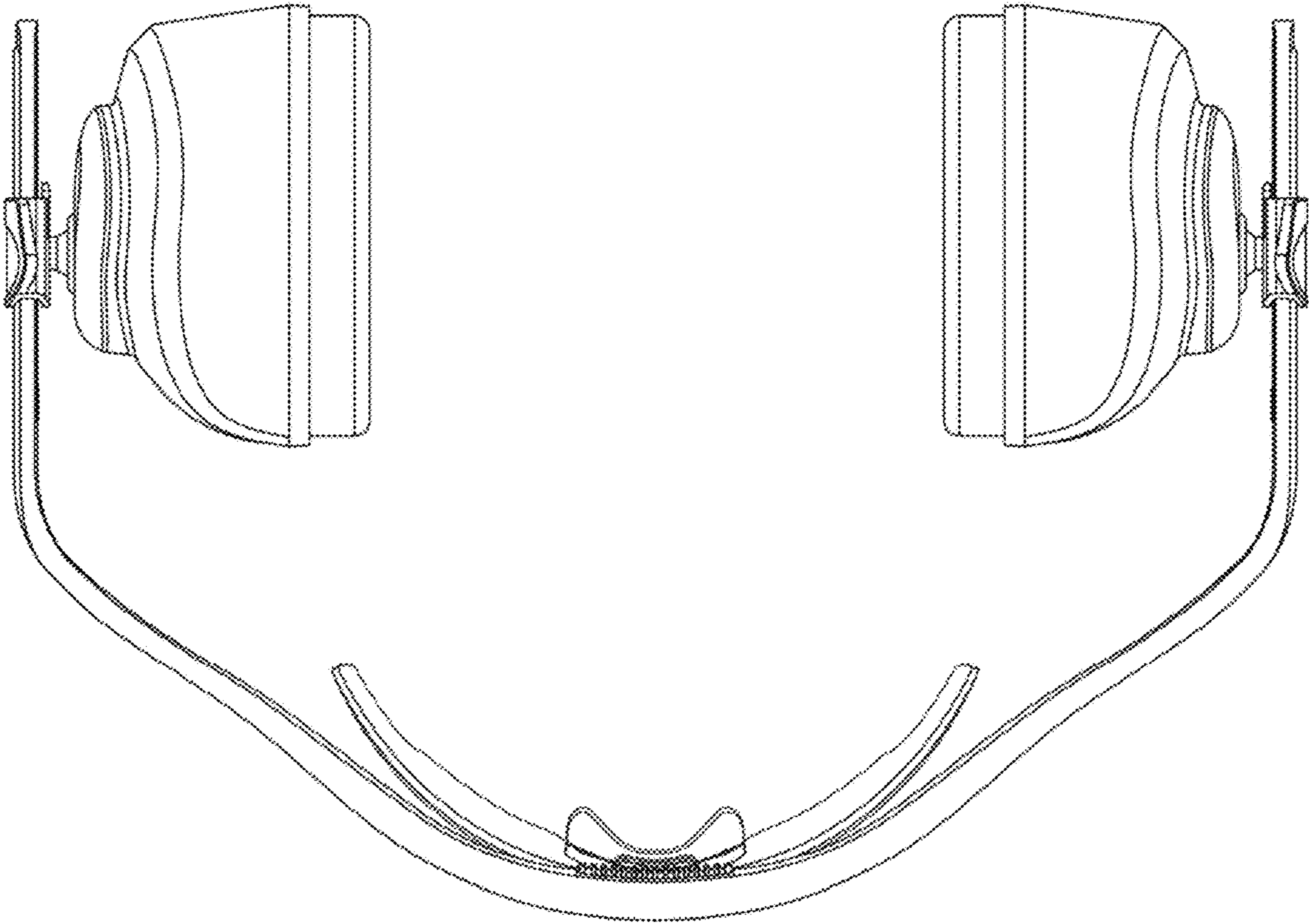


Fig. 1

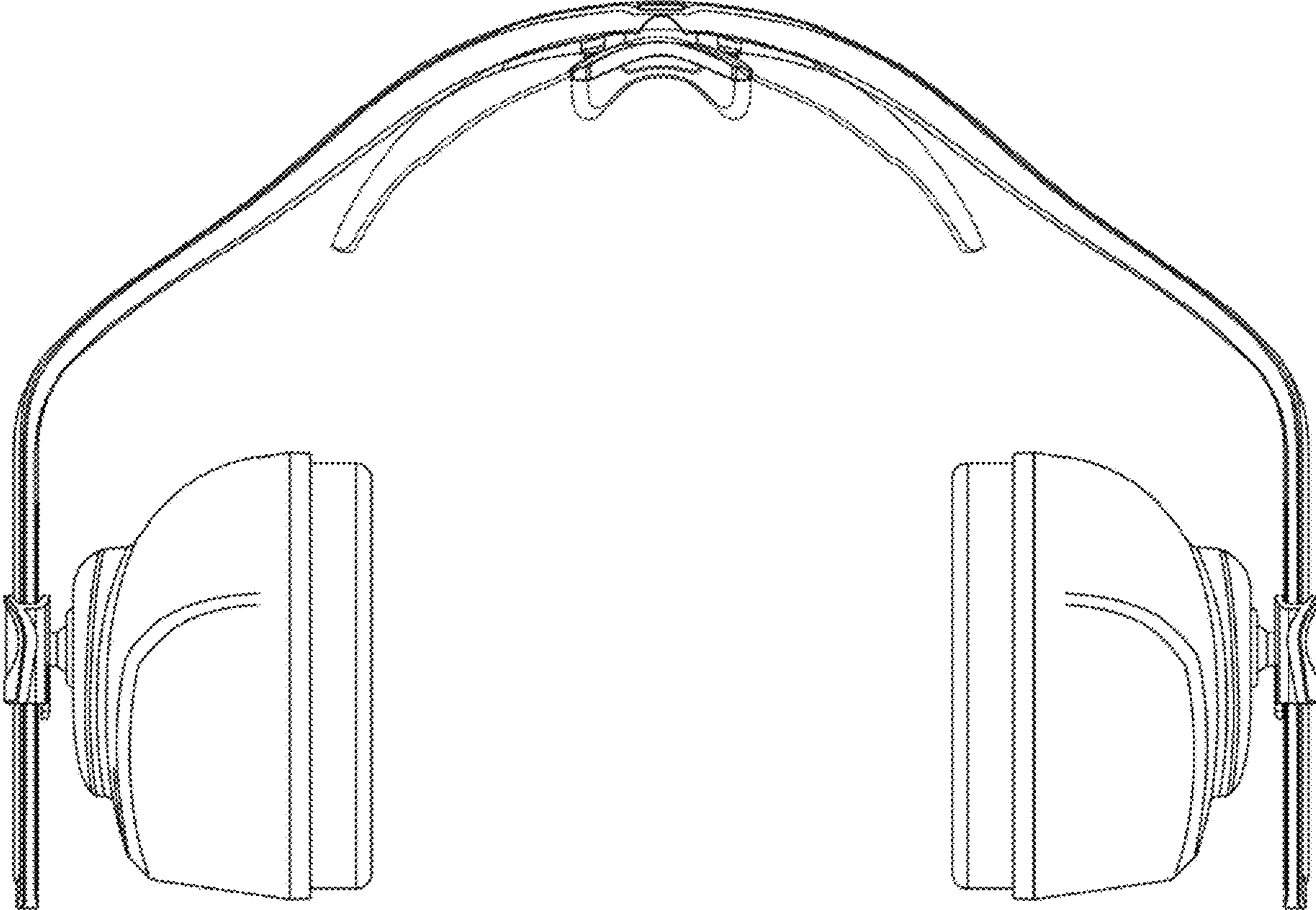


Fig. 2

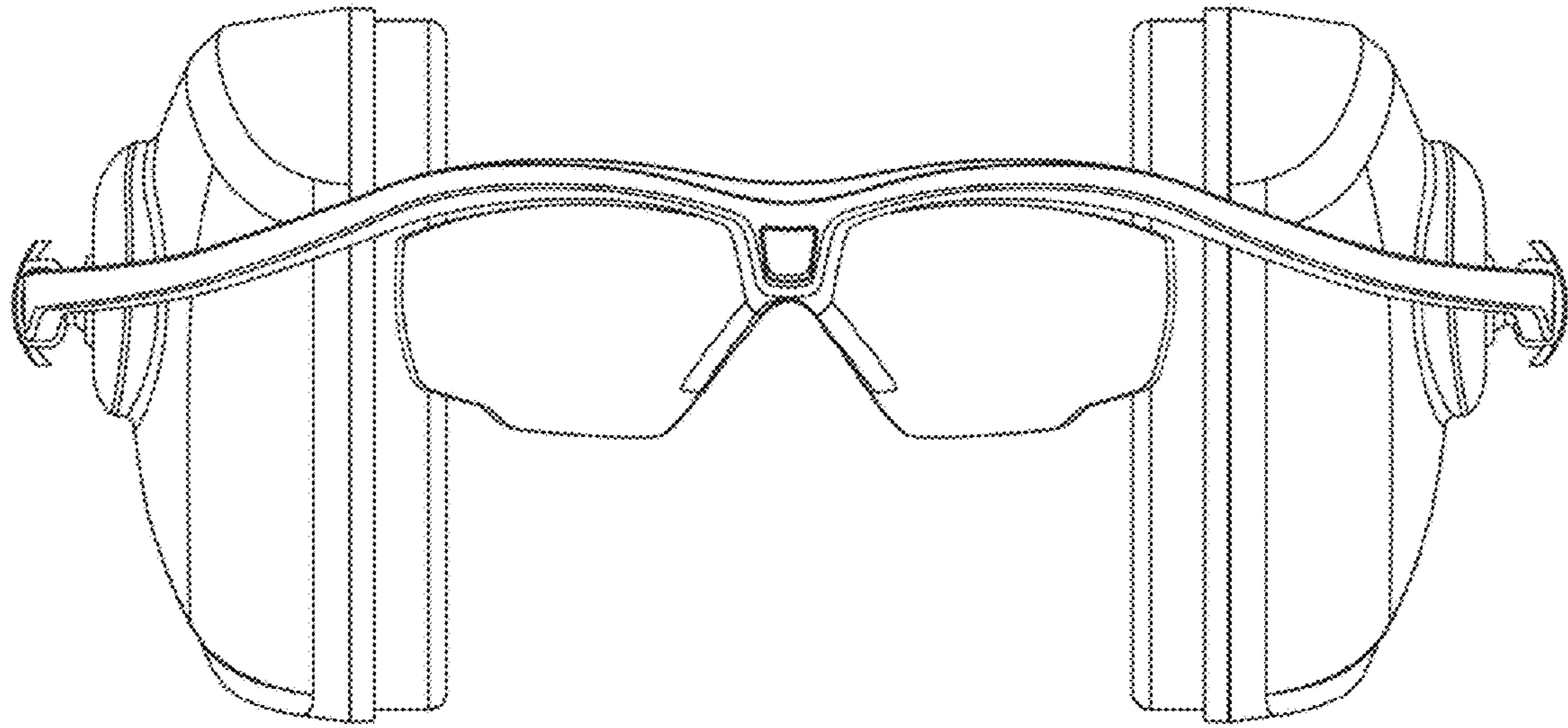


Fig. 3

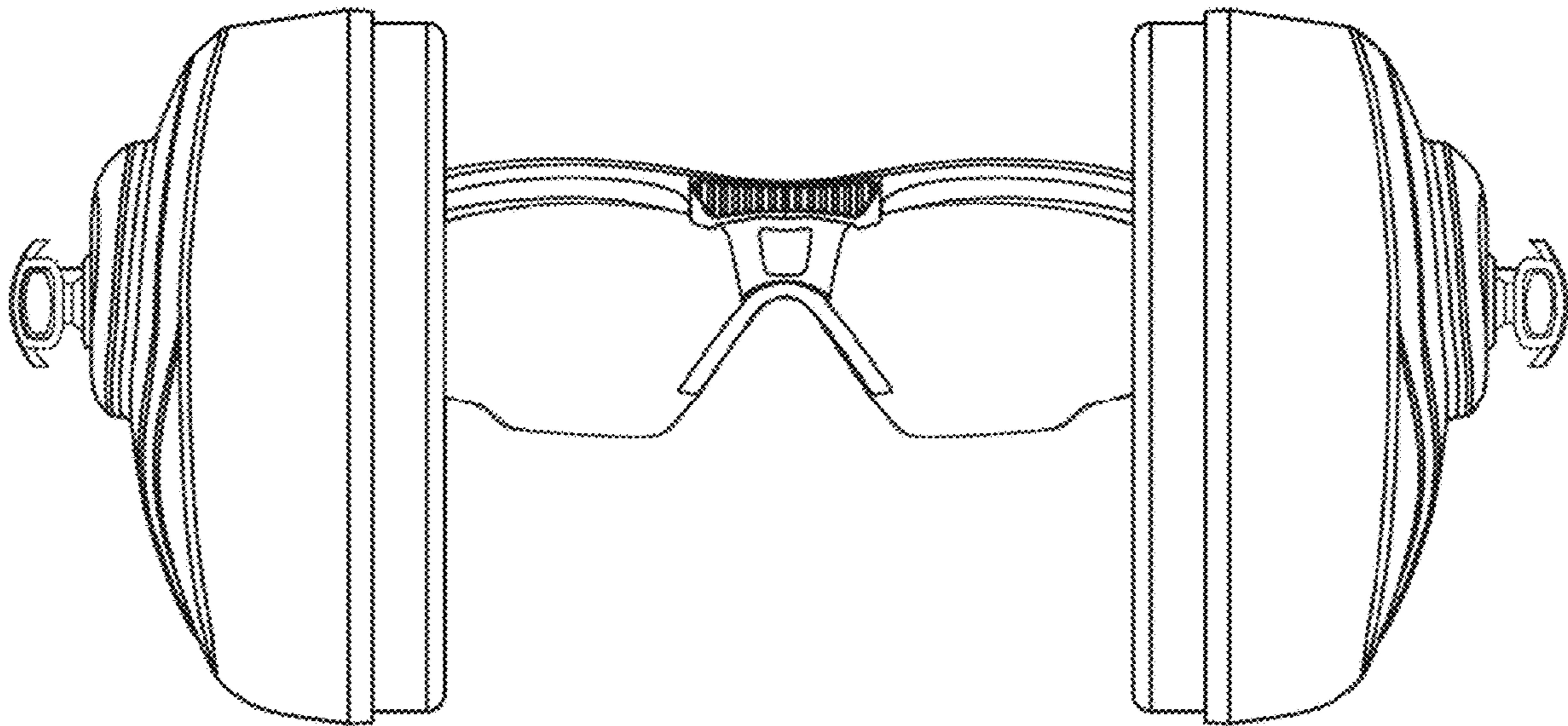


Fig. 4

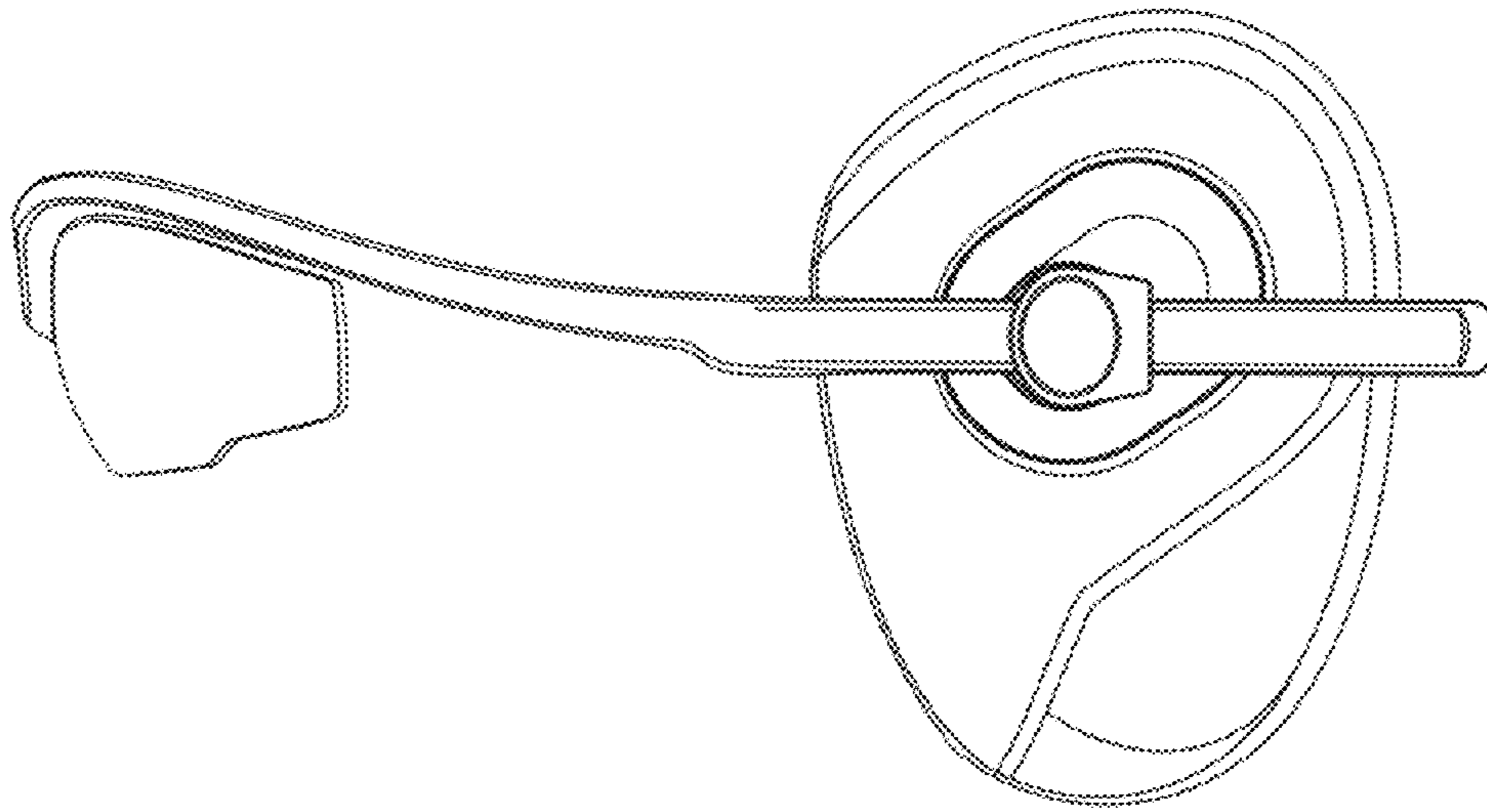


Fig. 5

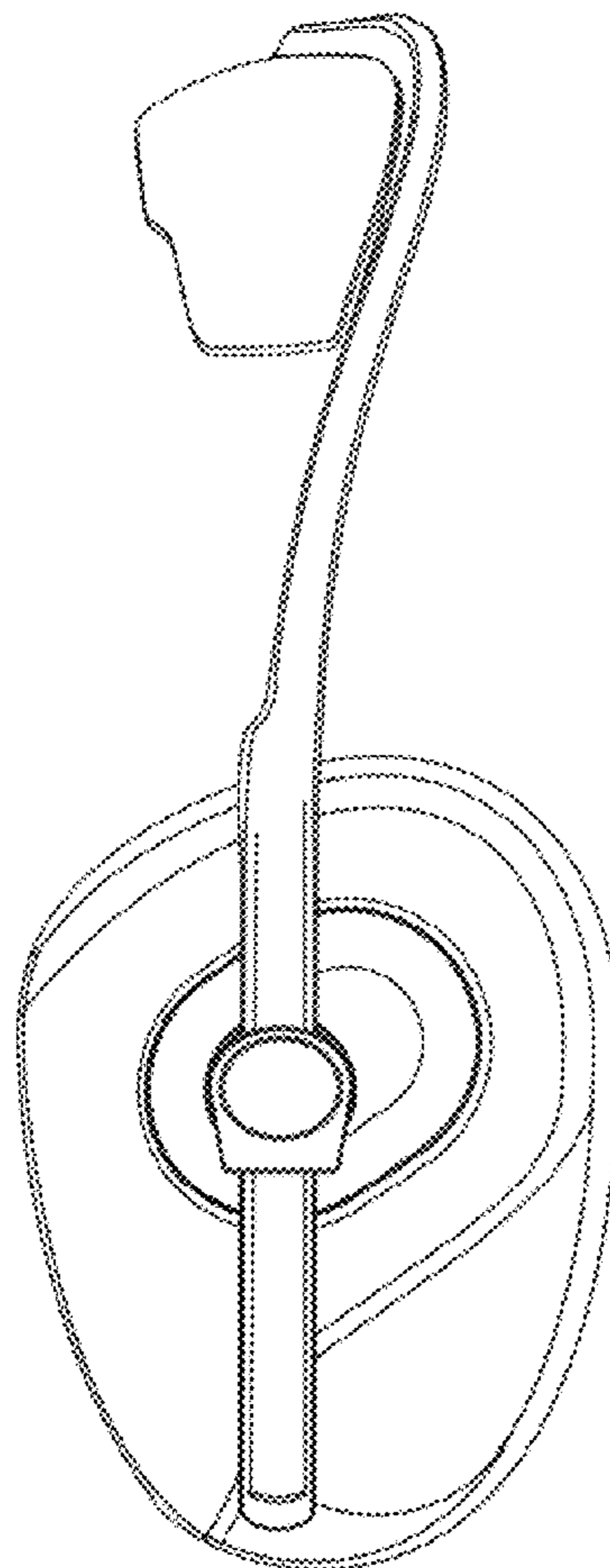


Fig. 6

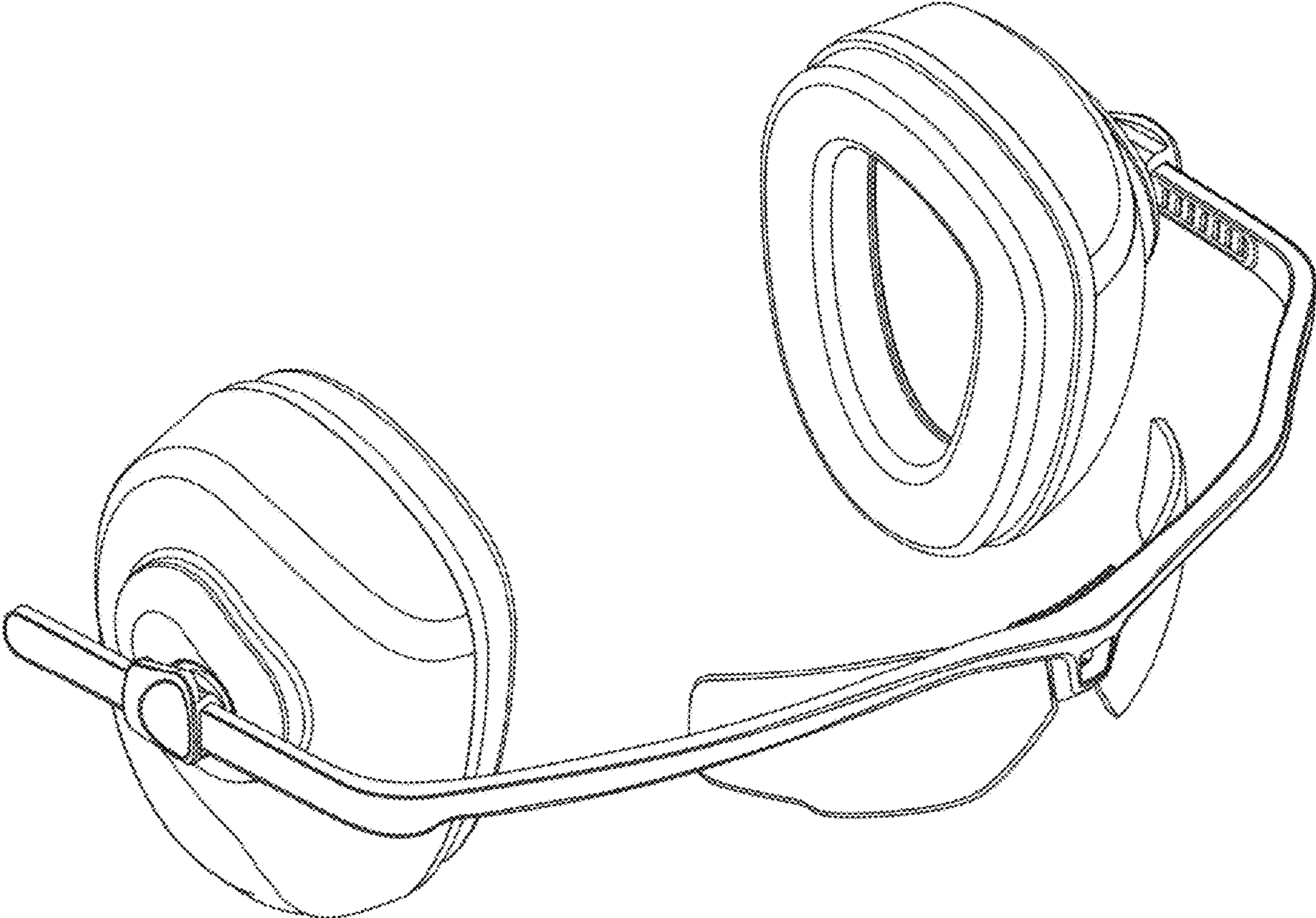


Fig. 7

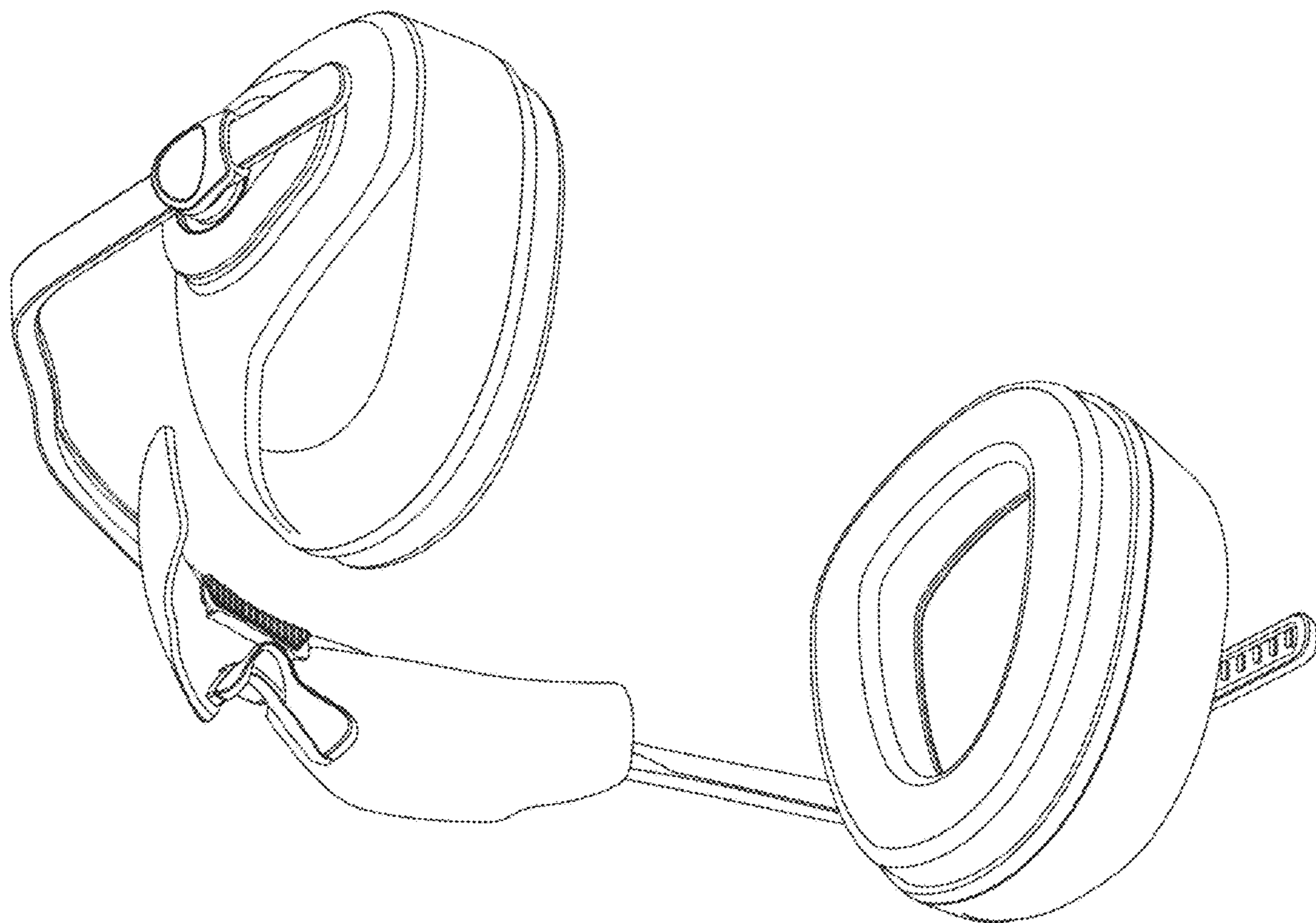


Fig. 8