



US00D900918S

(12) **United States Design Patent** (10) **Patent No.:** **US D900,918 S**
Zeng (45) **Date of Patent:** **** Nov. 3, 2020**

(54) **MINI TRIPOD**

(71) Applicant: **Zhongshan Jiabao Photographic Equipment Co., Ltd.**, Tanzhou Town, Zhongshan (CN)

(72) Inventor: **Xianhui Zeng**, Ganzhou (CN)

(**) Term: **15 Years**

(21) Appl. No.: **29/697,436**

(22) Filed: **Jul. 9, 2019**

(51) **LOC (12) Cl.** **16-05**

(52) **U.S. Cl.**
USPC **D16/244**

(58) **Field of Classification Search**
USPC D16/219, 237-250; D14/224, 229, 238, D14/251, 253, 447, 451, 457
CPC G03B 17/56; G03B 17/561-566
See application file for complete search history.

(56) **References Cited**

U.S. PATENT DOCUMENTS

D445,123 S *	7/2001	Shen	D16/244
D532,436 S *	11/2006	Kruse	D16/244
D533,578 S *	12/2006	Oka	D16/244
D739,456 S *	9/2015	Poli	D16/244
D741,397 S *	10/2015	Minn	D16/244
D835,705 S *	12/2018	Chun	D16/244
D840,465 S *	2/2019	Chun	D16/244
D852,875 S *	7/2019	Chun	D16/244
D865,039 S *	10/2019	Chen	D16/242
D866,648 S *	11/2019	Marcon	D16/244

OTHER PUBLICATIONS

Selfie stick multi-angle 360 degree rotatable scalable tripod horizontal vertical shooting stable phone camera led ring light selfie

tripod. [online] Retrieved Sep. 11, 2020 from URL: <https://www.dhgate.com/product/selfie-stick-multi-angle-360-degree-rotatable/554991572.html#pdopfcate-5-5lnull::r2510112820>.
Manfrotto Pixi EVO. Two-section mini tripod (Black). [online] Retrieved Sep. 14, 2020 from URL: https://www.crutchfield.com/S-LB1IJ3Z9ujh/p_728PIXEVOB/Manfrotto-Pixi-EVO-Black.html.

* cited by examiner

Primary Examiner — Vy N Koenig
(74) *Attorney, Agent, or Firm* — ZANIP

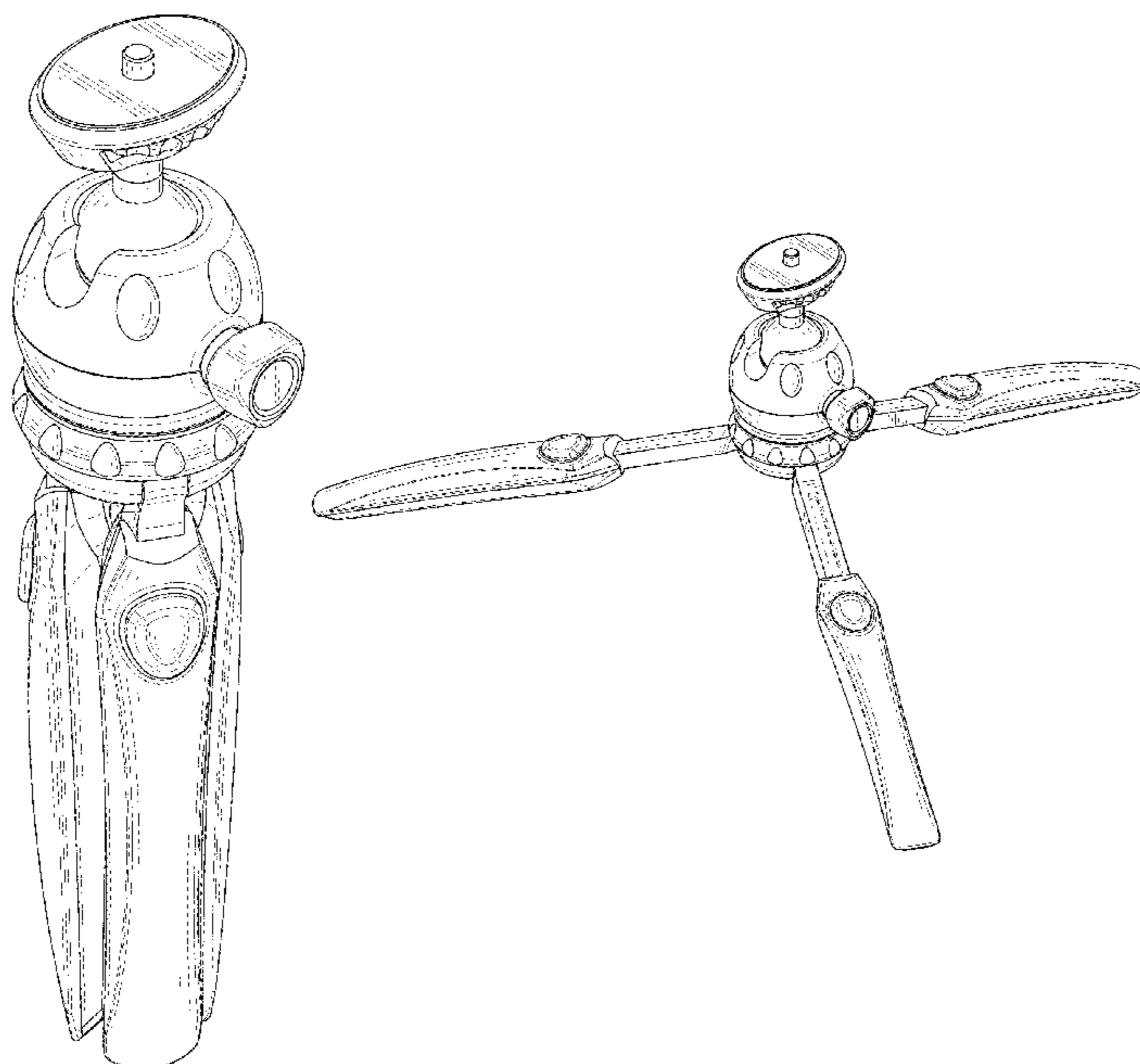
(57) **CLAIM**

The ornamental design for a mini tripod, as shown and described.

DESCRIPTION

FIG. 1 is a front perspective view of a mini tripod showing my new design;
FIG. 2 is a back perspective view thereof;
FIG. 3 is a front view thereof;
FIG. 4 is a back view thereof;
FIG. 5 is a left side view thereof;
FIG. 6 is a right side view thereof;
FIG. 7 is a top view thereof;
FIG. 8 is a bottom view thereof; and,
FIG. 9 is another perspective view of the mini tripod of FIG. 1 in an alternate unfolded and extended configuration.
The broken lines in the figures illustrate portions of the mini tripod that form no part of the claimed design.

1 Claim, 9 Drawing Sheets



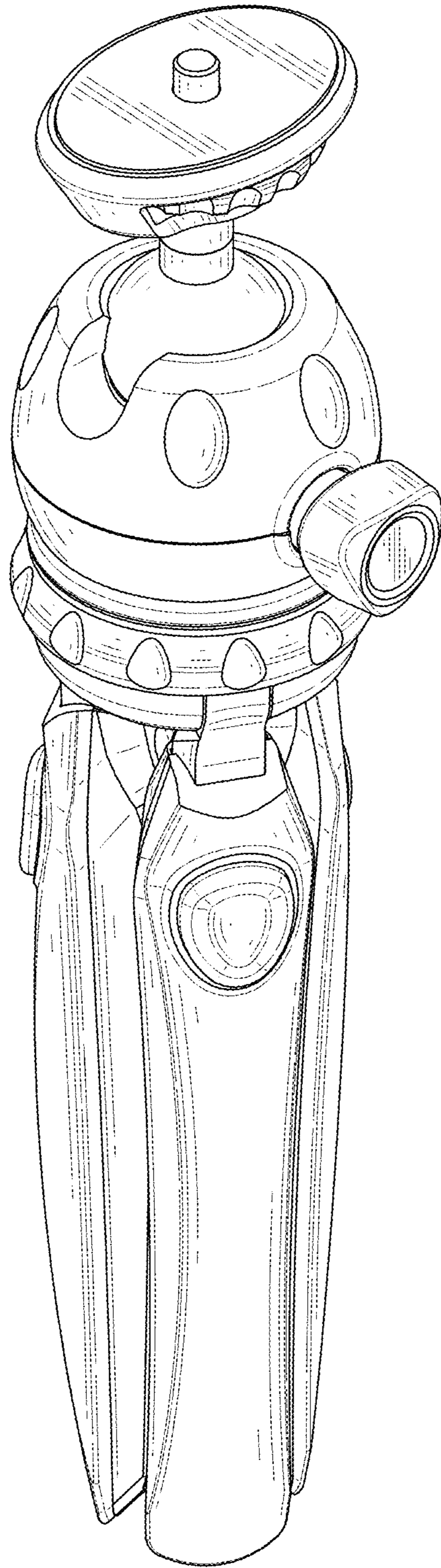


FIG. 1

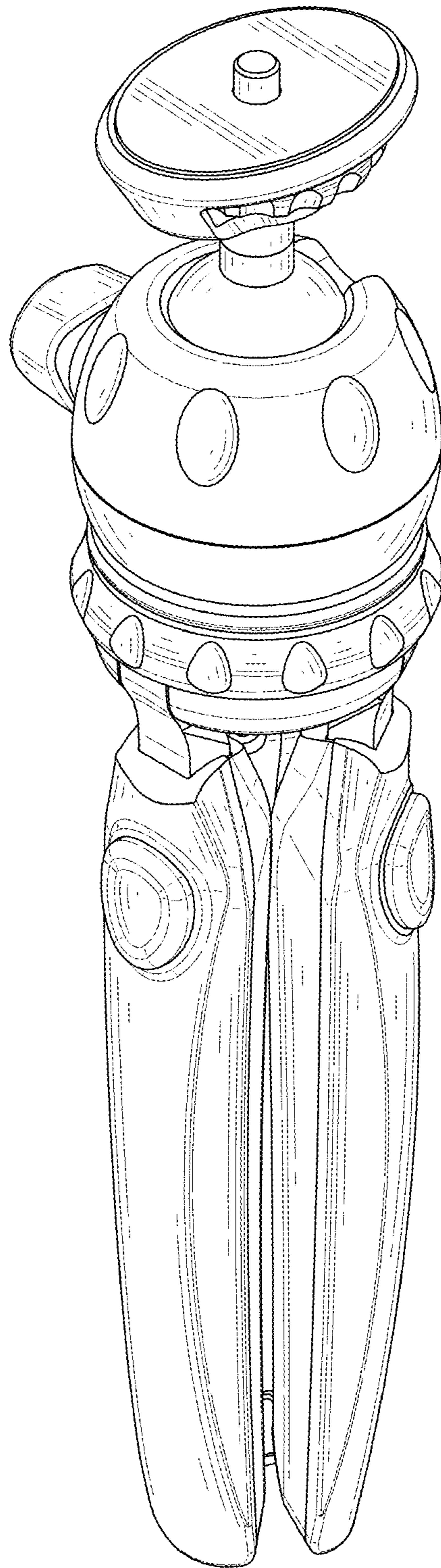


FIG. 2

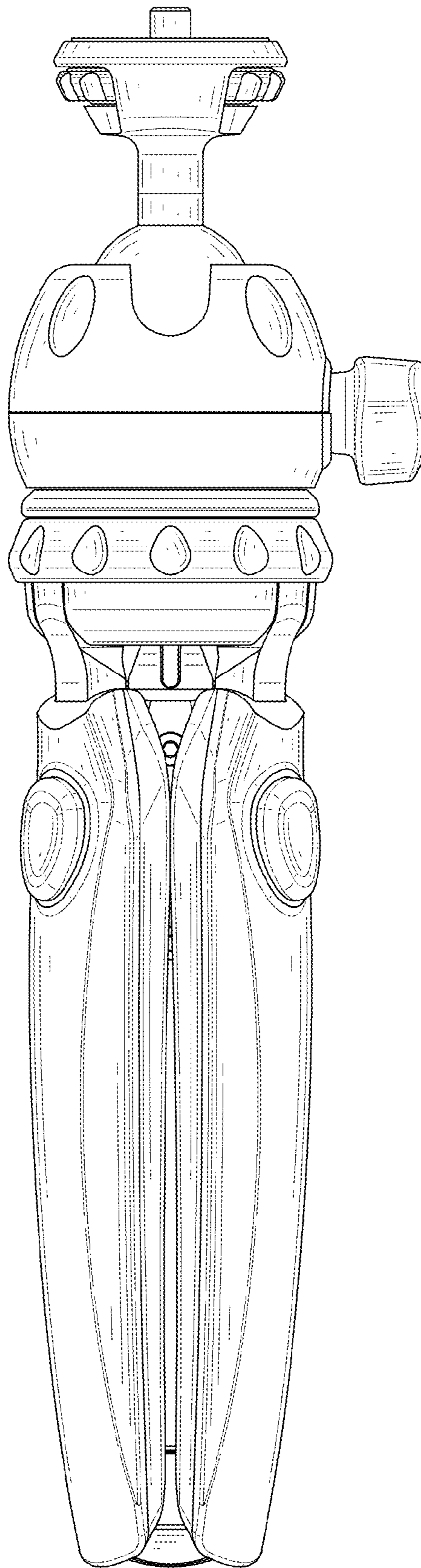


FIG. 3

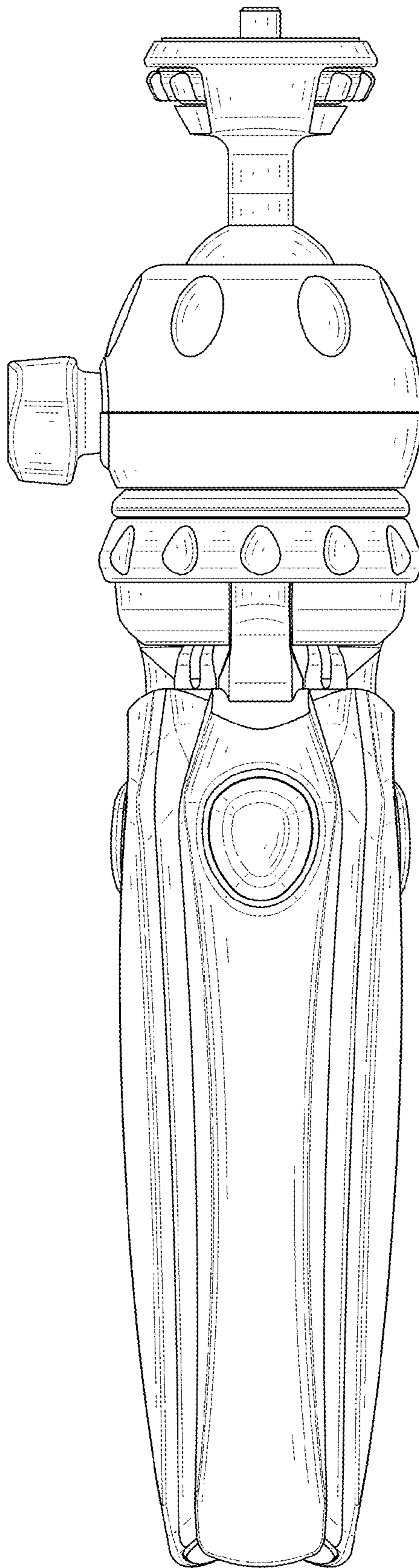


FIG. 4

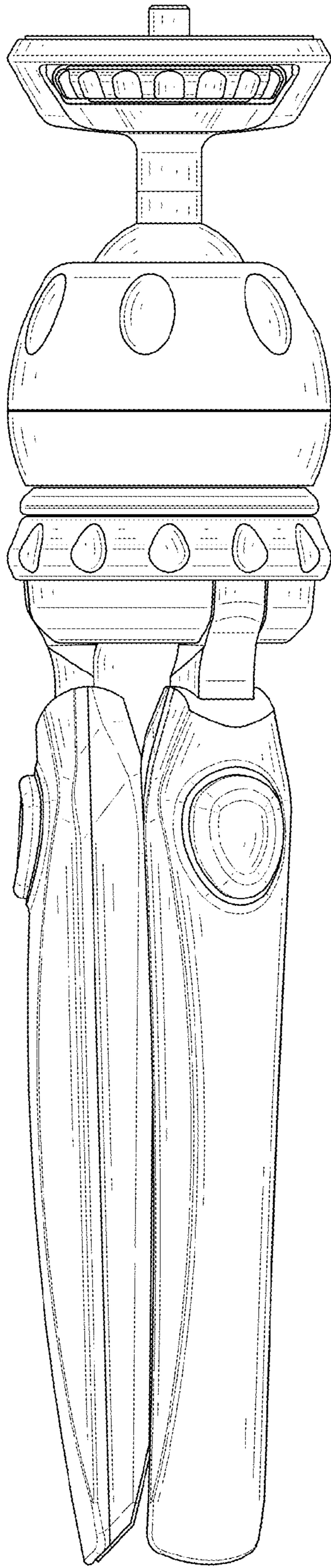


FIG. 5

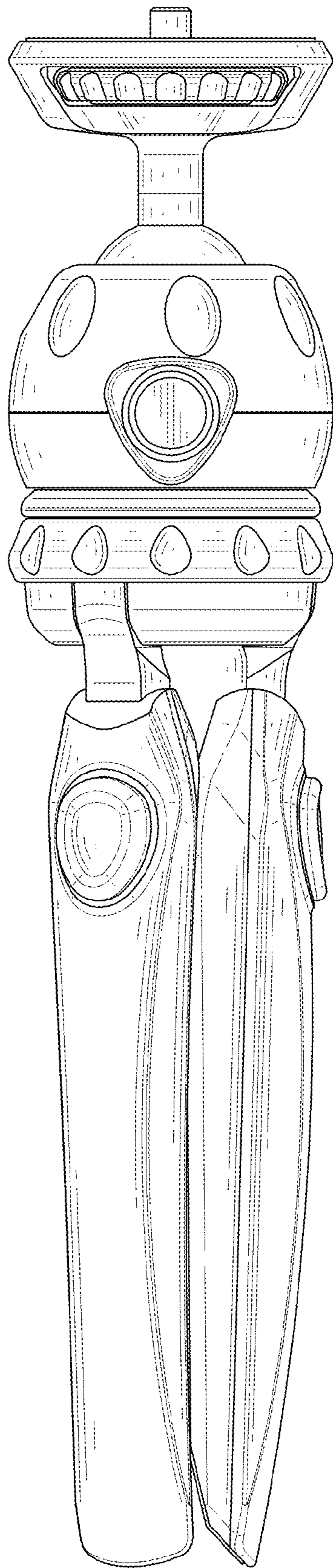


FIG. 6

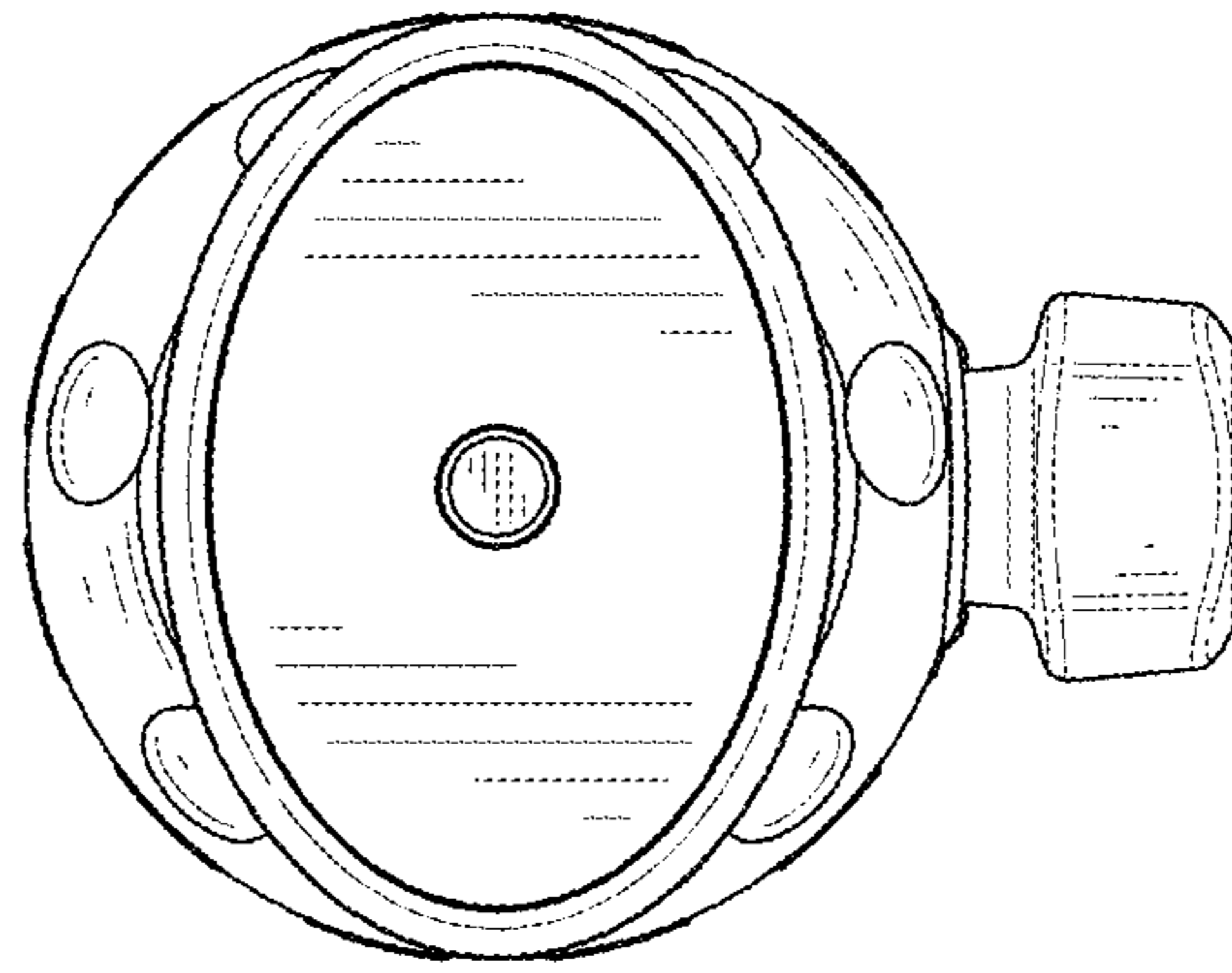


FIG. 7

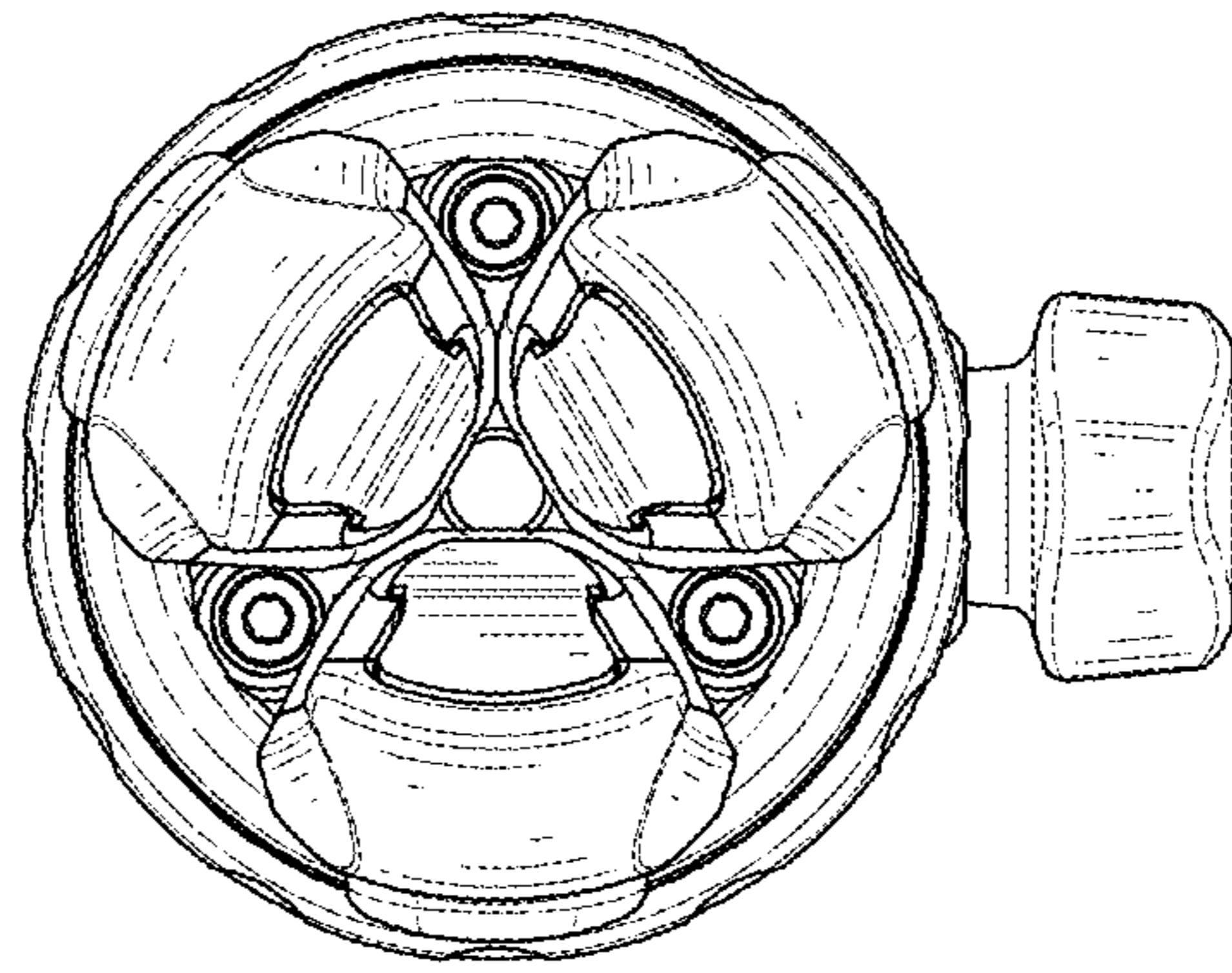


FIG. 8

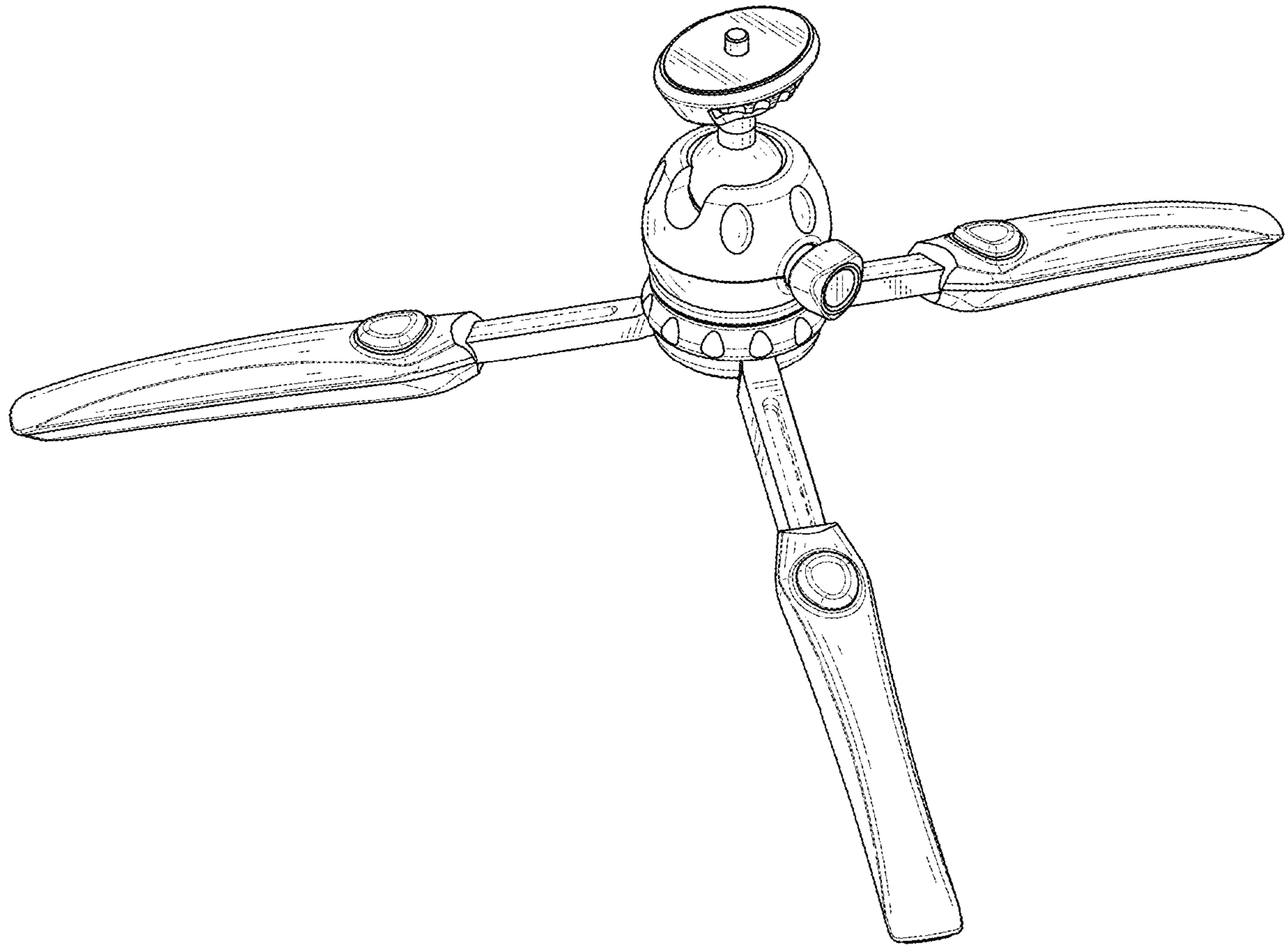


FIG. 9