

US00D900917S

(12) **United States Design Patent** (10) **Patent No.:** **US D900,917 S**
Chen (45) **Date of Patent:** **** Nov. 3, 2020**

(54) **SELFIE STICK**
(71) Applicant: **SHENZHEN ADYSS TECHNOLOGY CO., LTD.**, Shenzhen (CN)
(72) Inventor: **Weihao Chen**, Shenzhen (CN)
(73) Assignee: **SHENZHEN ADYSS TECHNOLOGY CO., LTD.**, Shenzhen (CN)

D841,724 S * 2/2019 Huang D16/243
D841,725 S * 2/2019 Frisancho Vera D16/245
D851,163 S * 6/2019 Huang D16/243
D852,872 S * 7/2019 Fang D16/243
D852,873 S * 7/2019 Fang D16/243
D860,298 S * 9/2019 Balmer D16/244
D863,412 S * 10/2019 Liao D16/245
D877,233 S * 3/2020 Li D16/243
D883,369 S * 5/2020 Xia D16/243
2018/0066792 A1 * 3/2018 Chen F16M 13/00

(**) Term: **15 Years**
(21) Appl. No.: **29/691,069**
(22) Filed: **May 14, 2019**

(30) **Foreign Application Priority Data**

Feb. 15, 2019 (CN) 2019 3 0065661

(51) **LOC (12) Cl.** **16-05**

(52) **U.S. Cl.**
USPC **D16/243**; D14/253

(58) **Field of Classification Search**
USPC D16/219, 237-250; D14/224, 229, 238, D14/251, 253, 447, 451, 457
CPC G03B 17/56; G03B 17/561-566
See application file for complete search history.

(56) **References Cited**

U.S. PATENT DOCUMENTS

D368,731 S * 4/1996 Shen D16/244
D717,360 S * 11/2014 Chun D16/244
D765,650 S * 9/2016 Huang D14/253
D787,499 S * 5/2017 Lee D14/253
D803,932 S * 11/2017 Martin D16/243
D806,780 S * 1/2018 Martin D16/243
D829,808 S * 10/2018 Frisancho Vera D16/245

OTHER PUBLICATIONS

ADYSS A2180cm Mobile phone Bluetooths selfie stick fill light photo artifact self-photograph universal Selfie Stick with Tripod. [online] Retrieved Sep. 11, 2020 from URL: https://www.alibaba.com/product-detail/ADYSS-A2180cm-Mobile-phone-Bluetooths-selfie_1600074616121.html?spm=a2700.7724857.normalList.35.60912d47wpKOge.*

* cited by examiner

Primary Examiner — Vy N Koenig
(74) *Attorney, Agent, or Firm* — WPAT, PC

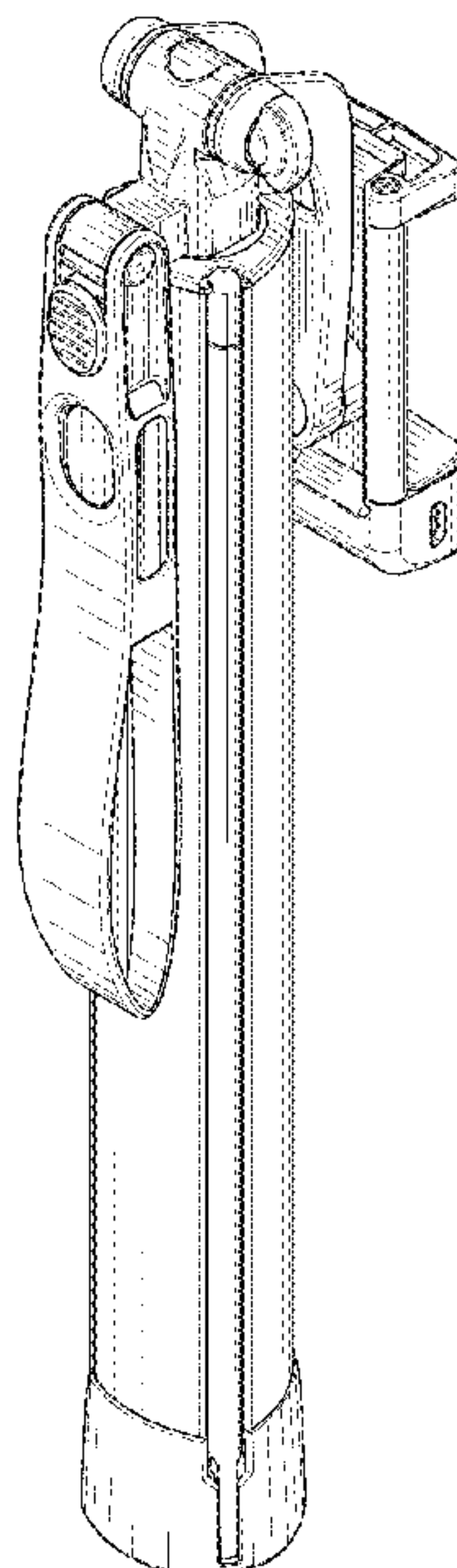
(57) **CLAIM**

The ornamental design for a selfie stick, as shown and described.

DESCRIPTION

FIG. 1 is a right, top, and front perspective view of a selfie stick showing my new design;
FIG. 2 is a front elevational view thereof;
FIG. 3 is a rear elevational view thereof;
FIG. 4 is a left side elevational view thereof;
FIG. 5 is a right side elevational view thereof;
FIG. 6 is a top plan view thereof; and,
FIG. 7 is a bottom plan view thereof.

1 Claim, 4 Drawing Sheets



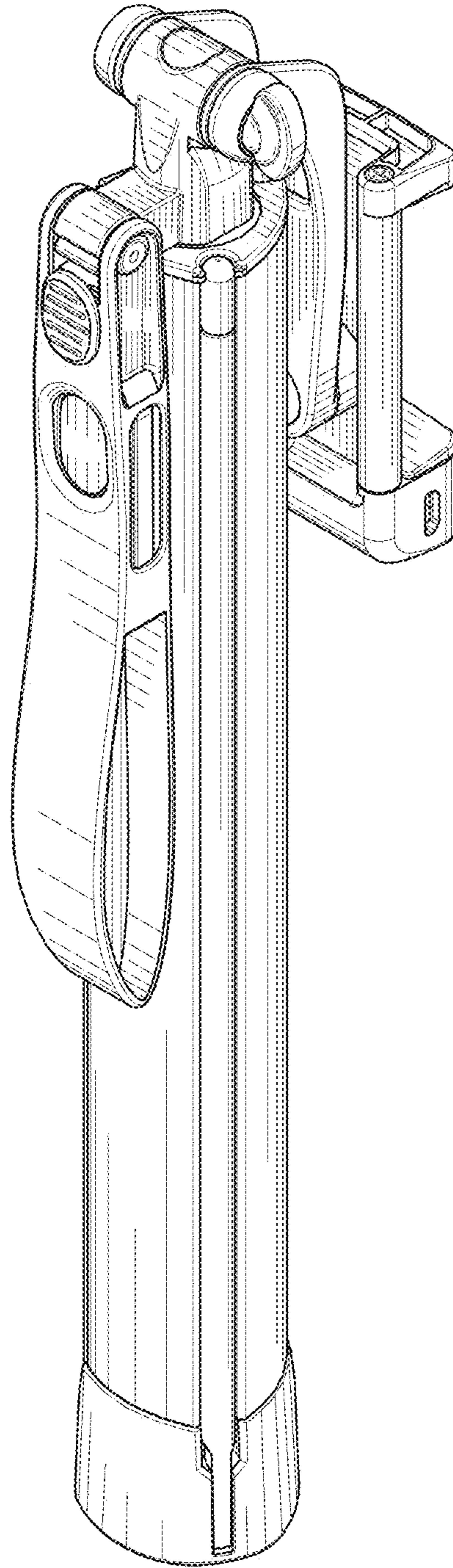


FIG. 1

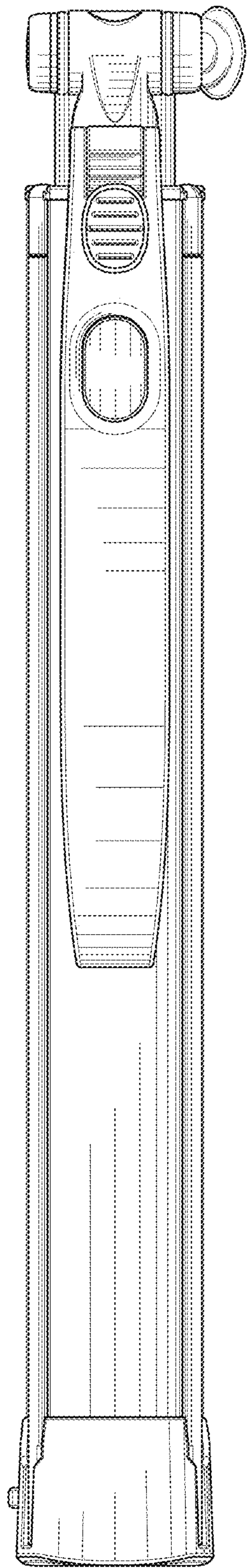


FIG. 2

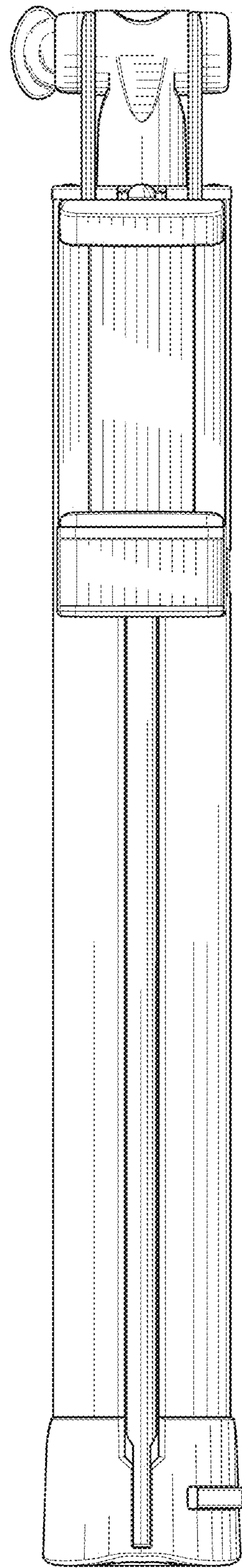


FIG. 3

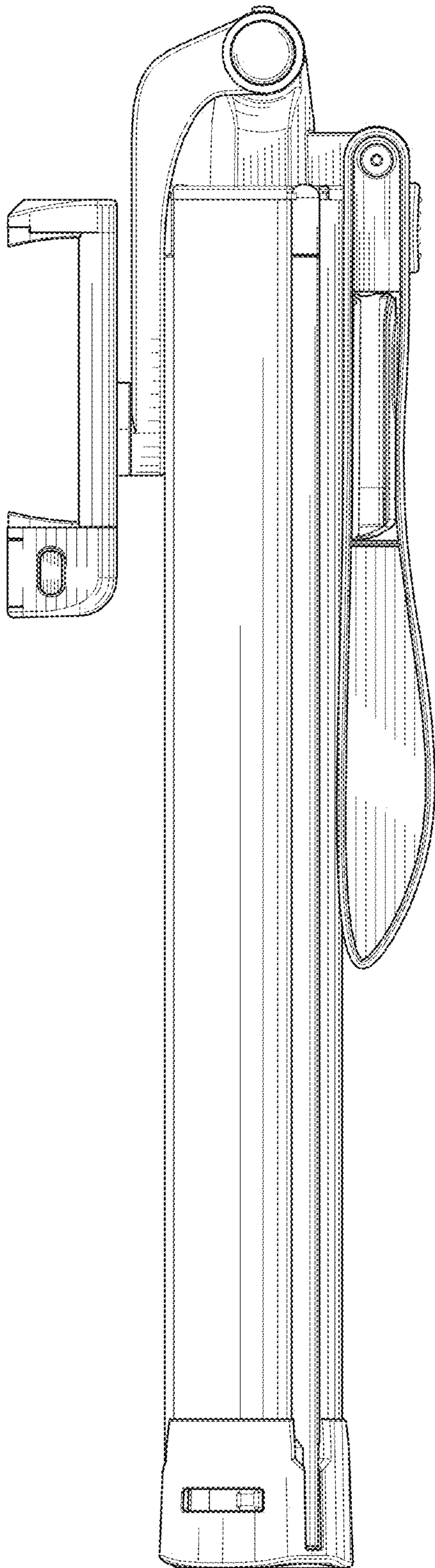


FIG. 4

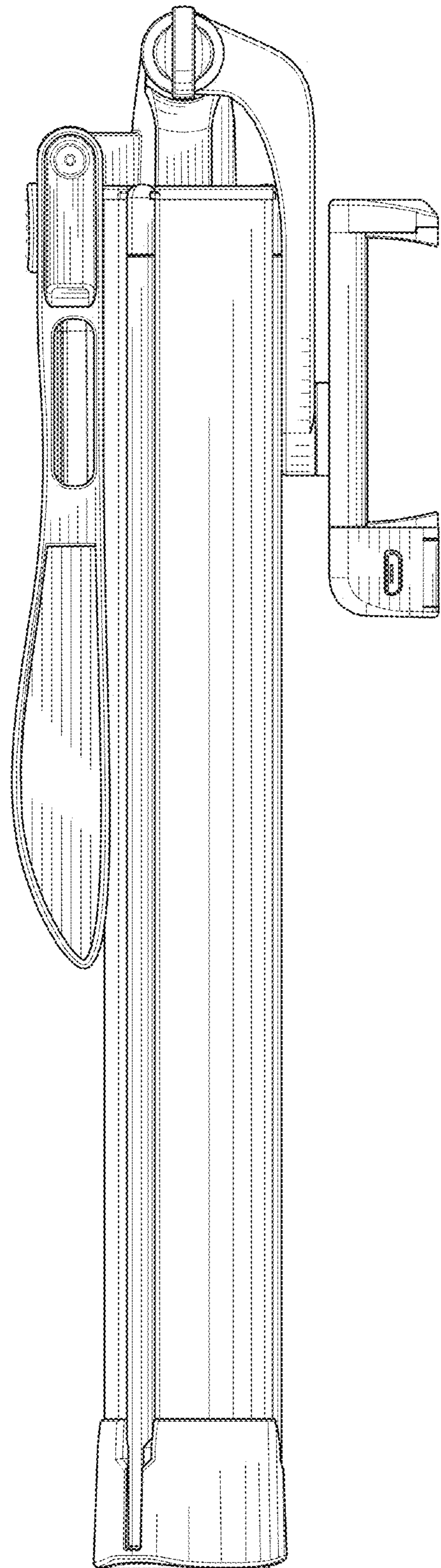


FIG. 5

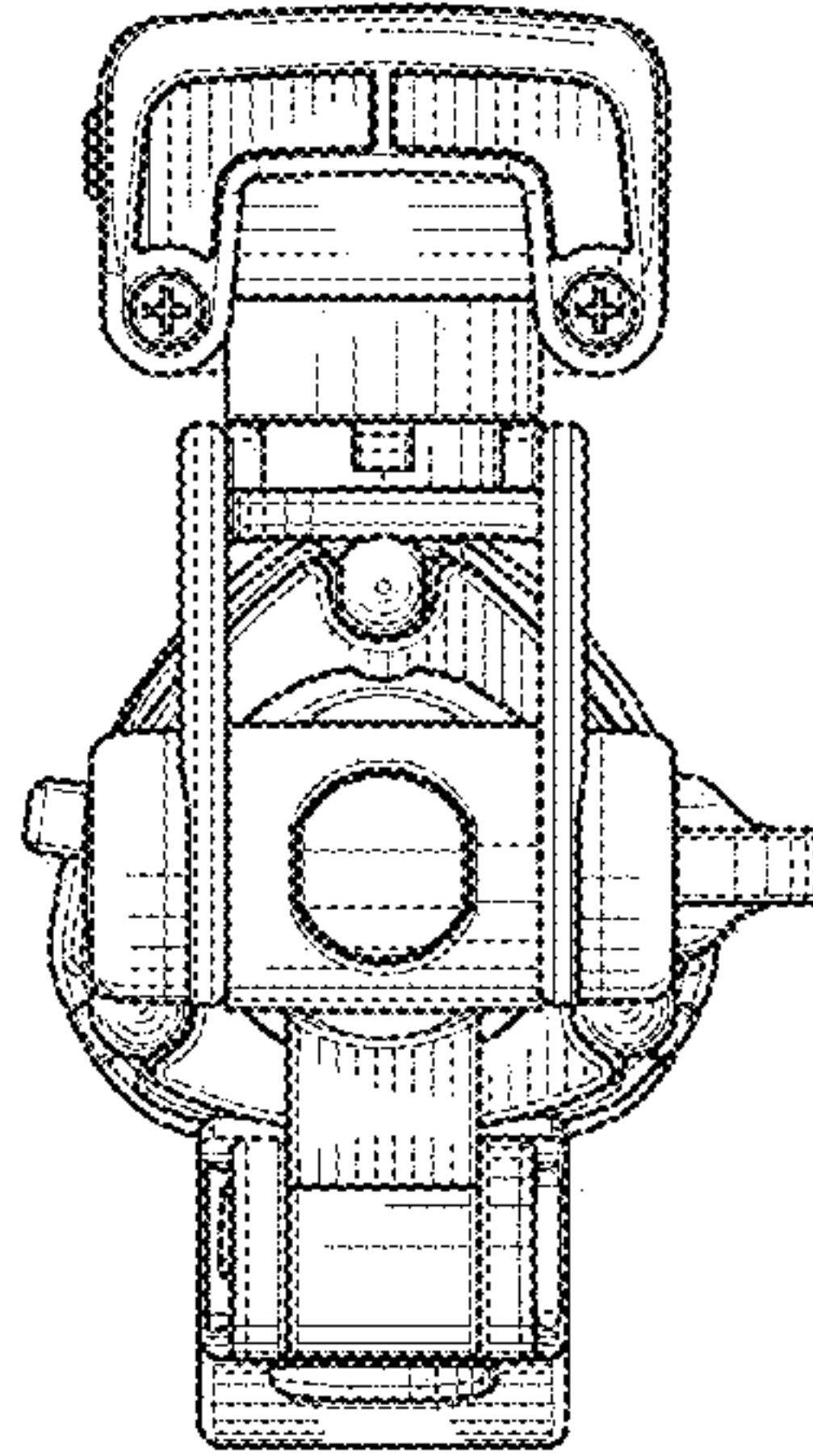


FIG. 6

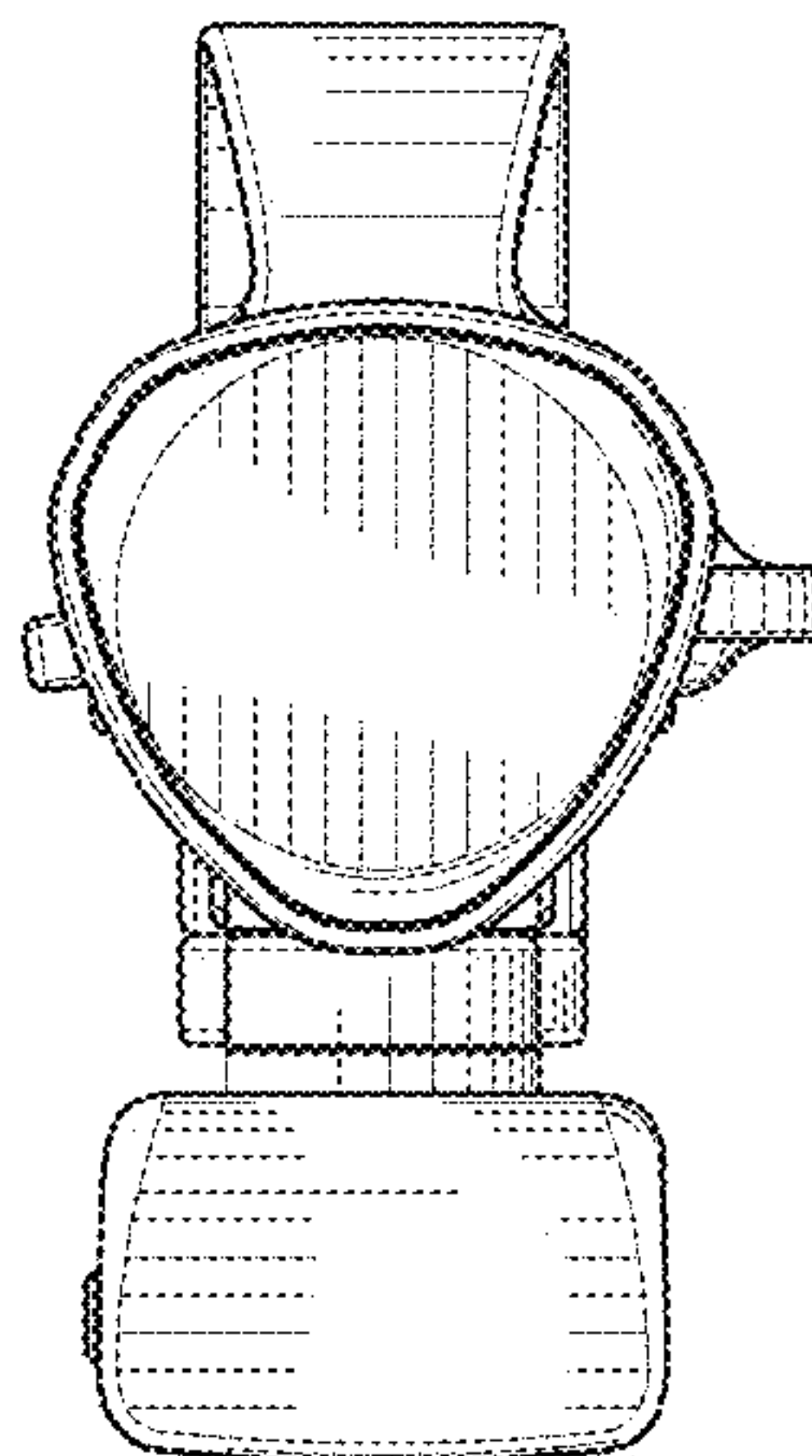


FIG. 7