



US00D900916S

(12) **United States Design Patent** (10) **Patent No.:** **US D900,916 S**  
**Liao** (45) **Date of Patent:** **\*\* \*Nov. 3, 2020**

(54) **CAMERA STABILIZER**

(71) Applicant: **GUILIN ZHISHEN INFORMATION TECHNOLOGY CO., LTD.**, Guzngxi (CN)

(72) Inventor: **Yilun Liao**, Guangxi (CN)

(73) Assignee: **GUILIN ZHISHEN INFORMATION TECHNOLOGY CO., LTD.**, Guangxi (CN)

(\*) Notice: This patent is subject to a terminal disclaimer.

(\*\*) Term: **15 Years**

(21) Appl. No.: **29/643,613**

(22) Filed: **Apr. 10, 2018**

(30) **Foreign Application Priority Data**

Mar. 1, 2018 (CN) ..... 2018 3 0078229

(51) **LOC (12) Cl.** ..... **16-05**

(52) **U.S. Cl.**  
USPC ..... **D16/243**

(58) **Field of Classification Search**  
USPC ..... D16/219, 237-250; D14/224, 229, 238, D14/251, 253; D8/354, 355, 363, 373, D8/382-383, 394-396

(Continued)

(56) **References Cited**

**U.S. PATENT DOCUMENTS**

9,458,963 B1 \* 10/2016 Choi ..... F16M 13/022  
D780,825 S \* 3/2017 Kim ..... D10/103

(Continued)

**OTHER PUBLICATIONS**

Zhiyun EVO 2 Handheld Gimbal Stabilizer Coupons. [online] Published Jun. 15, 2018. Retrieved Mar. 12, 2019 from URL:

<https://couponschina.com/2018/06/15/zhiyun-evo-2-handheld-gimbal-stabilizer-coupons/>.\*

(Continued)

*Primary Examiner* — Vy N Koenig

(74) *Attorney, Agent, or Firm* — Faegre Drinker Biddle & Reath LLP

(57) **CLAIM**

The ornamental design for an camera stabilizer, as shown and described.

**DESCRIPTION**

FIG. 1 is a front side perspective view of a first embodiment of an camera stabilizer;  
FIG. 2 is a rear side perspective view of the first embodiment of an camera stabilizer;  
FIG. 3 is a front side elevational view of the first embodiment of an camera stabilizer;  
FIG. 4 is a rear side elevational view of the first embodiment of an camera stabilizer;  
FIG. 5 is a left side elevational view of the first embodiment of an camera stabilizer;  
FIG. 6 is a right side elevational view of the first embodiment of an camera stabilizer;  
FIG. 7 is a top plan view of the first embodiment of an camera stabilizer;  
FIG. 8 is a bottom plan view of the first embodiment of an camera stabilizer;  
FIG. 9 is a front side perspective reference view of a second embodiment of an camera stabilizer;  
FIG. 10 is a rear side perspective reference view of the second embodiment of an camera stabilizer;  
FIG. 11 is a front side elevational reference view of the second embodiment of an camera stabilizer;  
FIG. 12 is a rear side elevational reference view of the second embodiment of an camera stabilizer;  
FIG. 13 is a left side elevational view of the second embodiment of an camera stabilizer;  
FIG. 14 is a right side elevational view of the second embodiment of an camera stabilizer;

(Continued)

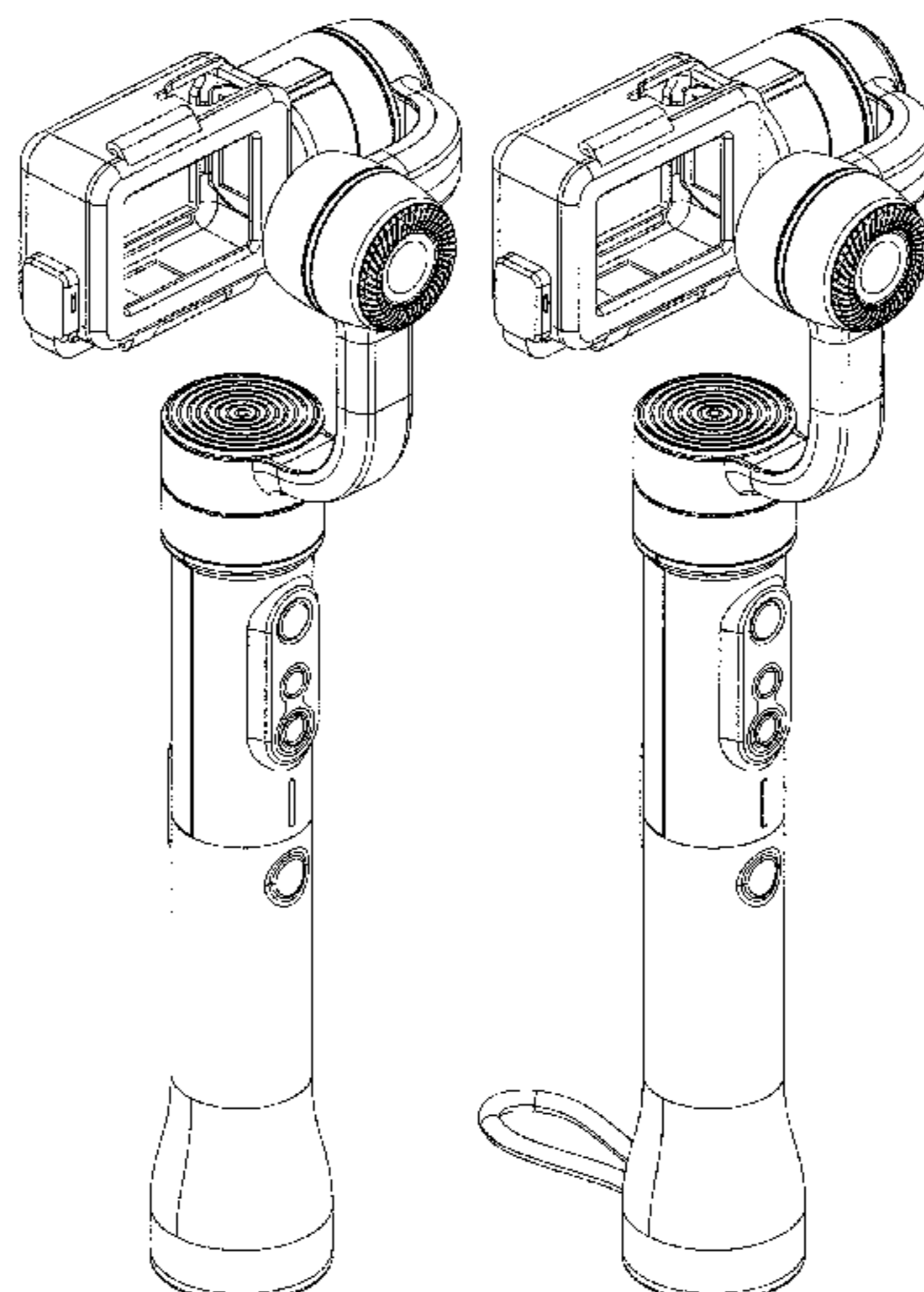


FIG. 15 is a top plan view of the second embodiment of an camera stabilizer; and,

FIG. 16 is a bottom plan view of the second embodiment of an camera stabilizer.

The broken lines in the drawings depict features of the stabilizer that form no part of the claimed design.

**1 Claim, 16 Drawing Sheets**

**(58) Field of Classification Search**

CPC ..... F16M 11/06-10; F16M 11/14; G02B 7/00-002; G03B 17/56; G03B 17/561-568; H04N 5/2253-2254; A45F 2200/0508-0533; A45F 5/00; A45F 5/10

See application file for complete search history.

**(56)**

**References Cited**

U.S. PATENT DOCUMENTS

D784,997 S \* 4/2017 Cheng ..... D14/447  
 D794,606 S \* 8/2017 Zheng ..... D14/217  
 D796,482 S \* 9/2017 Zheng ..... D14/217  
 D799,448 S \* 10/2017 Zheng ..... D14/217

9,800,786 B1 \* 10/2017 Wei ..... G03B 17/568  
 9,816,666 B2 \* 11/2017 Wang ..... F16M 11/18  
 9,891,505 B1 \* 2/2018 Wei ..... G03B 17/561  
 9,903,533 B2 \* 2/2018 Wei ..... F16M 11/12  
 D824,882 S \* 8/2018 Zheng ..... D14/217  
 D826,310 S \* 8/2018 Wang ..... D16/243  
 10,156,776 B1 \* 12/2018 Wei ..... G03B 17/561  
 D841,725 S \* 2/2019 Frisancho Vera ..... D16/245  
 2015/0071627 A1 \* 3/2015 Hoang ..... F16M 13/00  
 396/421  
 2015/0261070 A1 \* 9/2015 Feng ..... G03B 17/561  
 396/421  
 2016/0381271 A1 \* 12/2016 Cheng ..... F16M 11/041  
 348/208.2  
 2017/0037995 A1 \* 2/2017 Pan ..... F16M 11/18  
 2017/0064176 A1 \* 3/2017 Kim ..... F16M 11/18

OTHER PUBLICATIONS

GoPro Karma Grip Support system motorized handheld stabilizer. [online] Published on Aug. 15, 2017. Retrieved Mar. 12, 2019 from URL:https://express.google.com/u/0/product/GoPro-Karma-Grip-Support-system-motorized-handheld-stabilizer/16800608084754167587\_10752254223953375364\_8855094?ved=0CAMQ0FUoAGoYChMli8Oyr\_z84AIVC-7jBx1ESQ.\*

\* cited by examiner

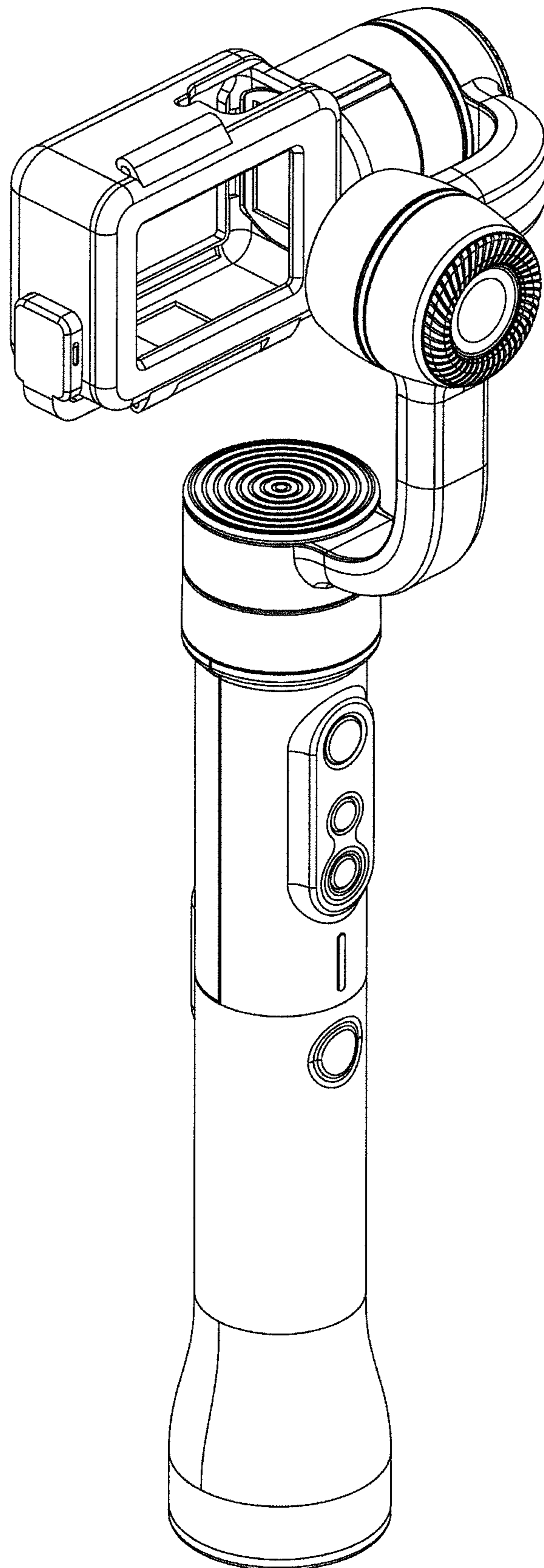


FIG. 1

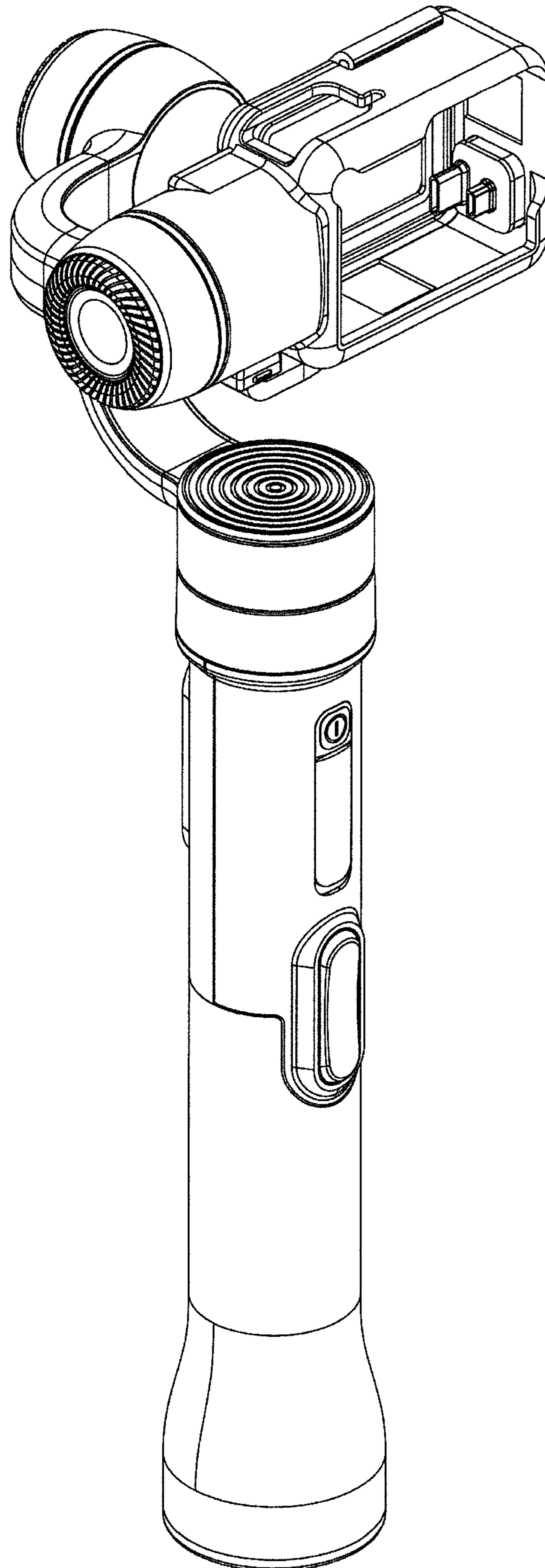


FIG. 2

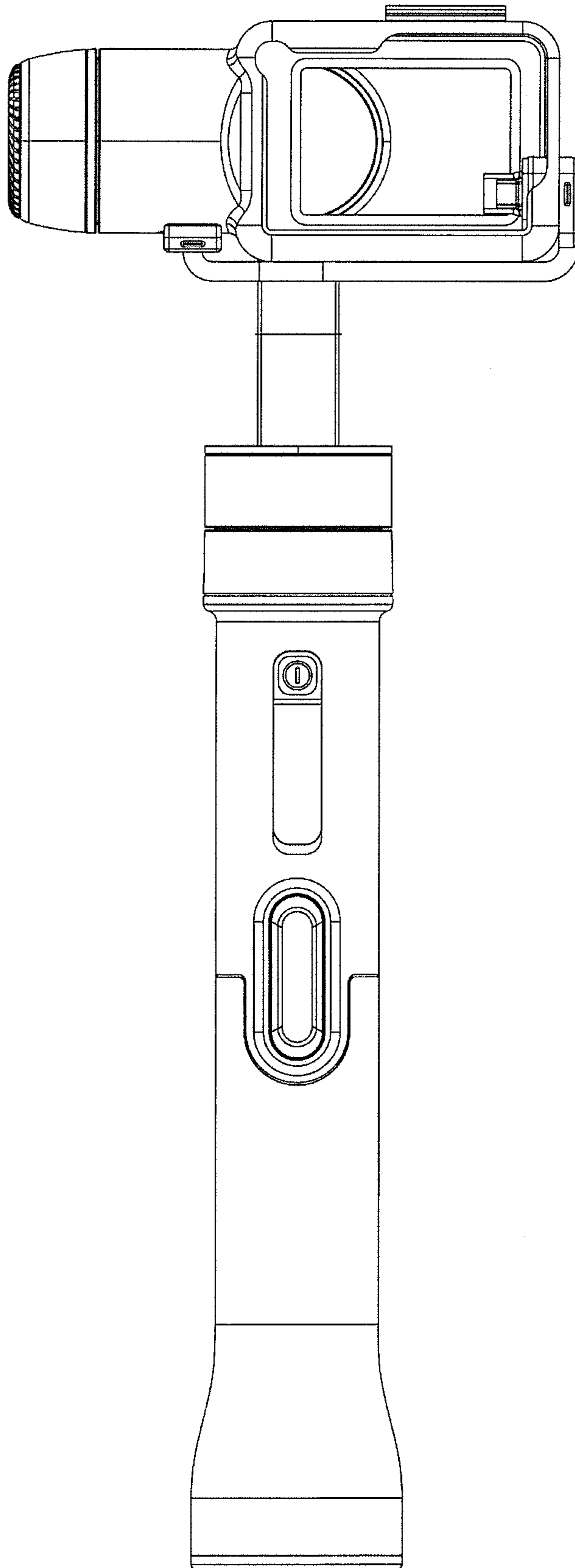


FIG. 3

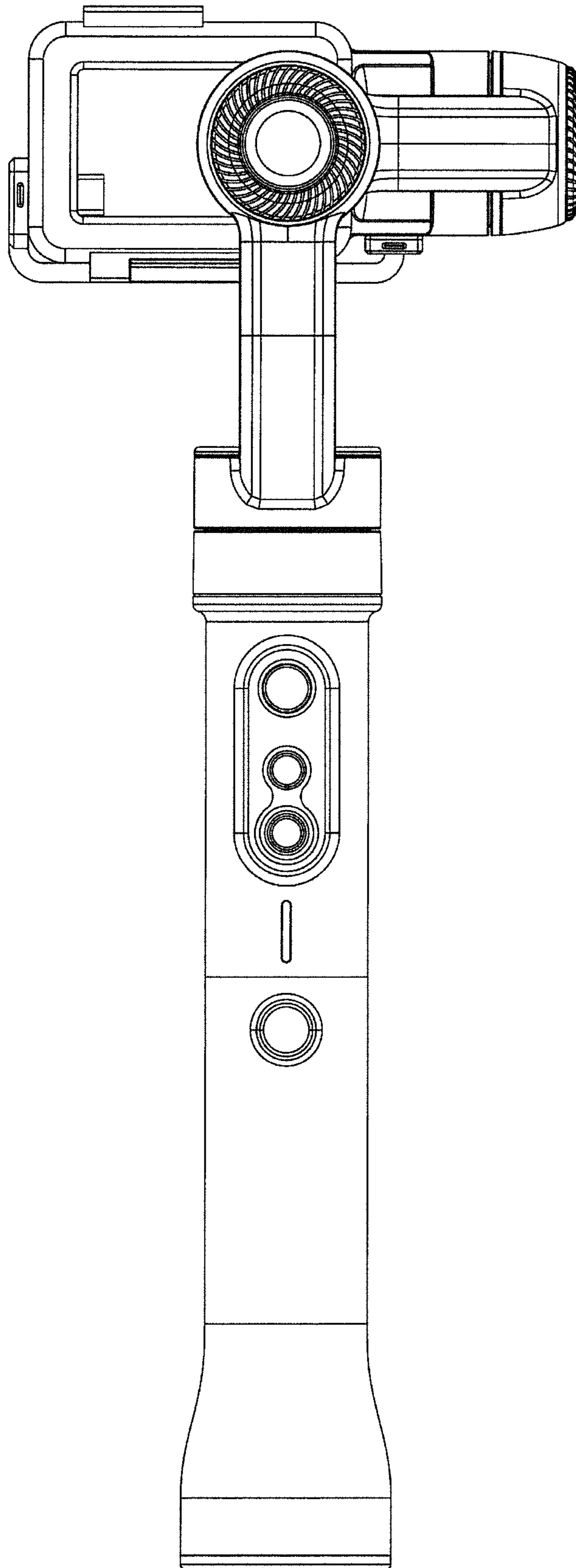


FIG. 4

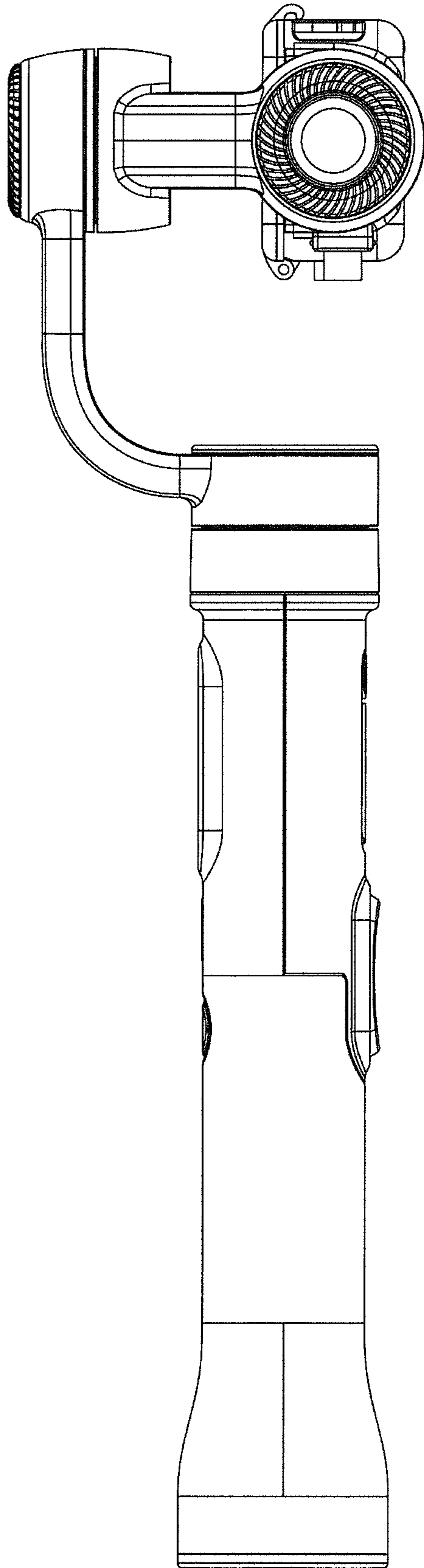


FIG. 5

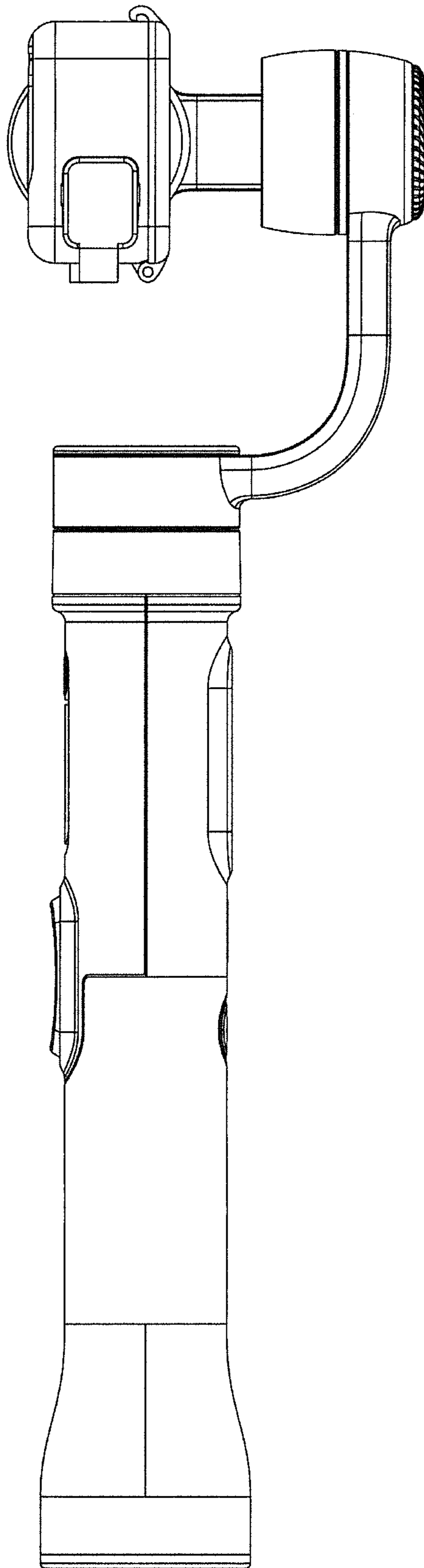


FIG. 6



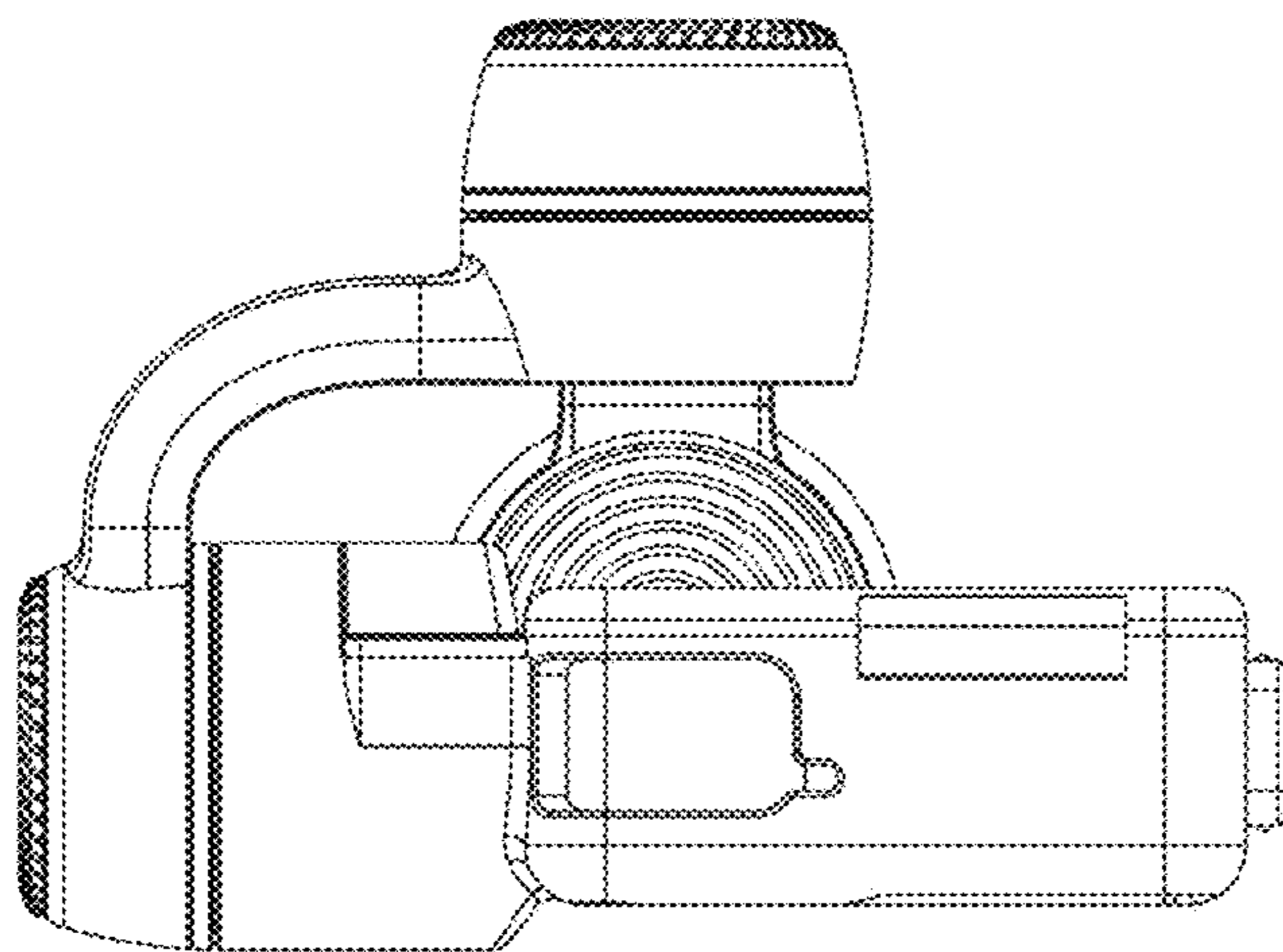


FIG. 7

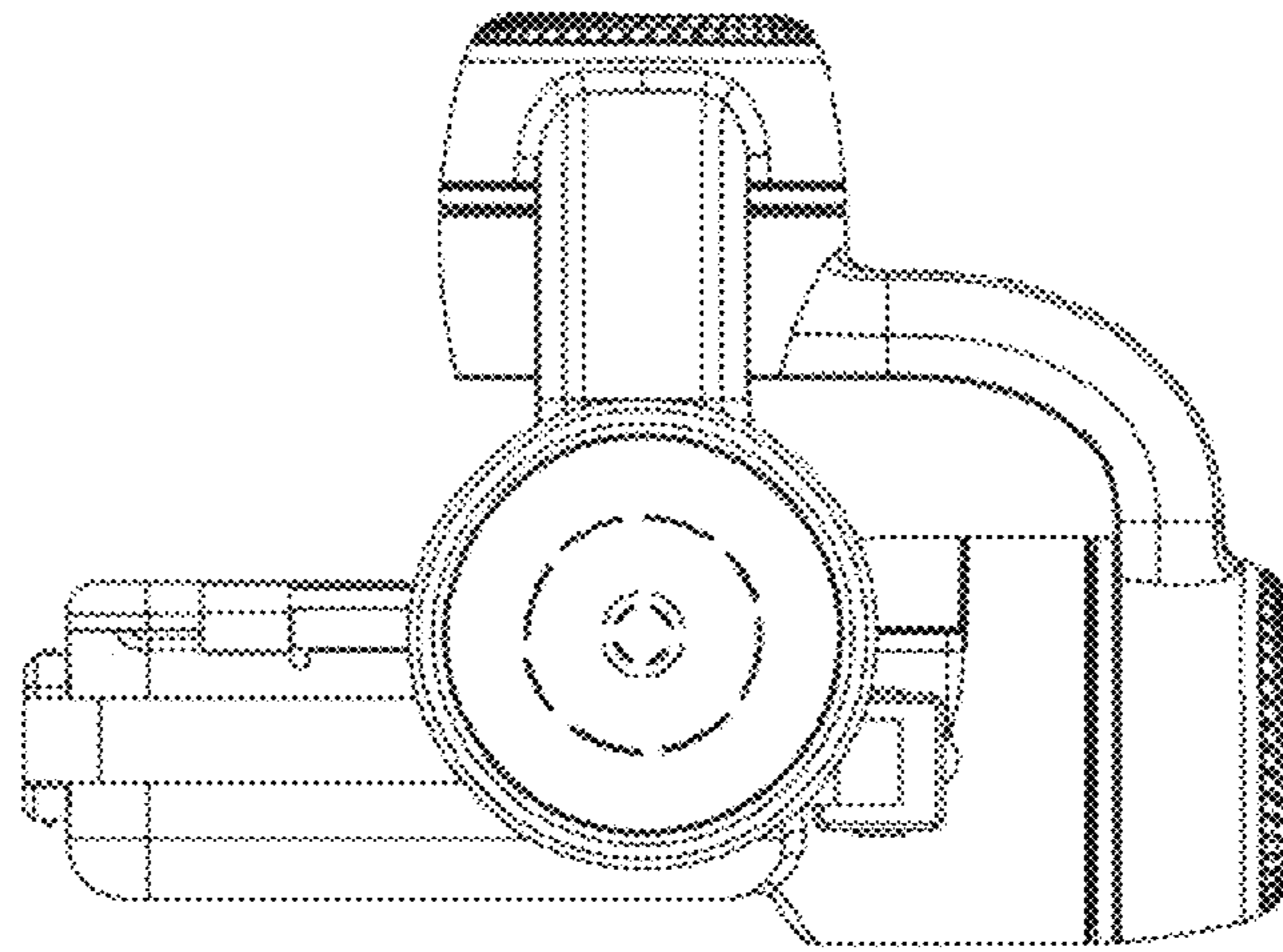


Figure 8

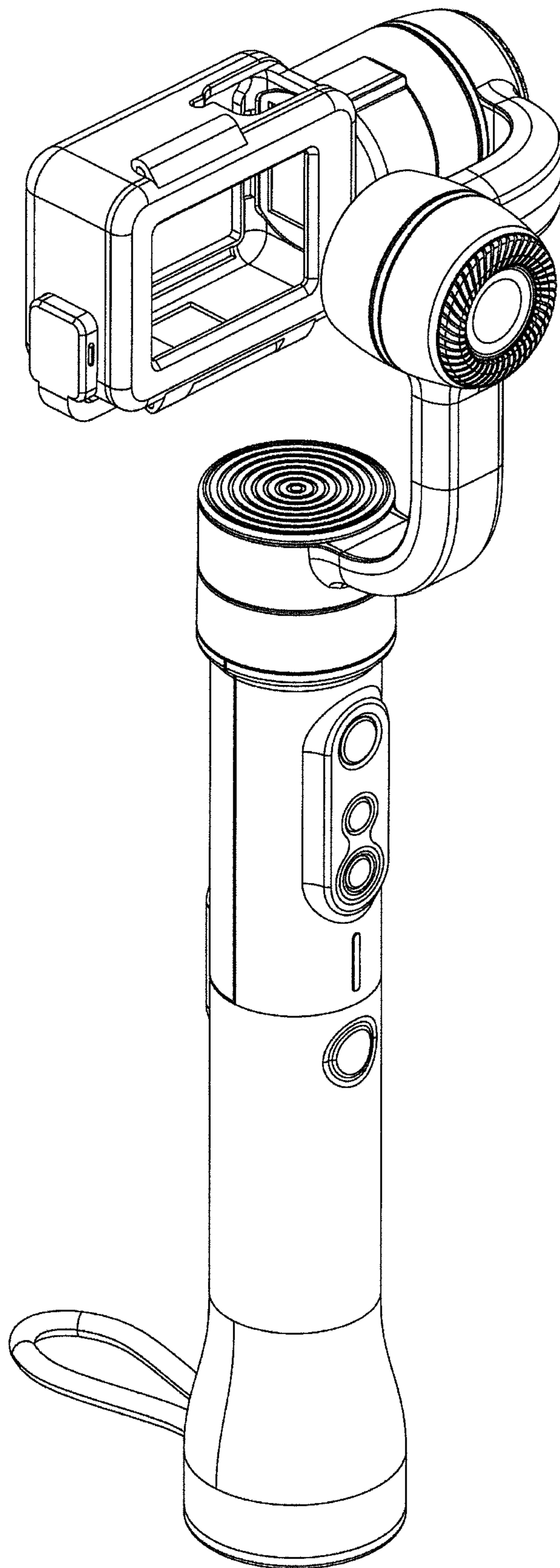


FIG. 9

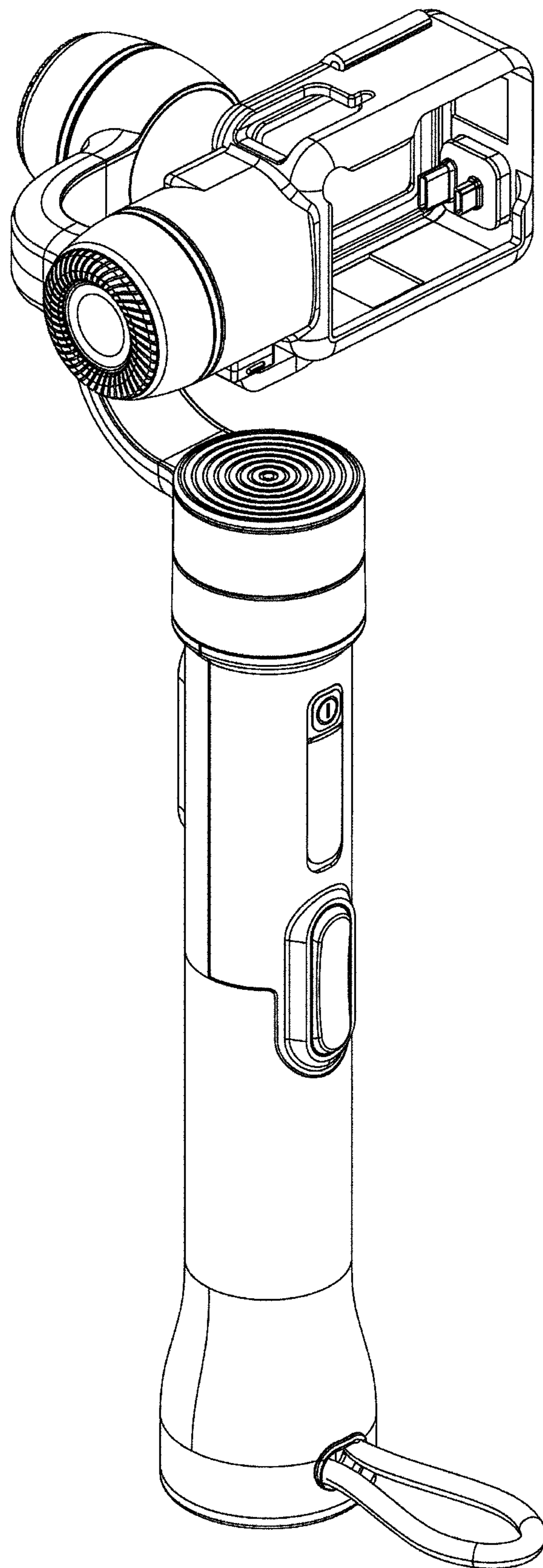


FIG. 10

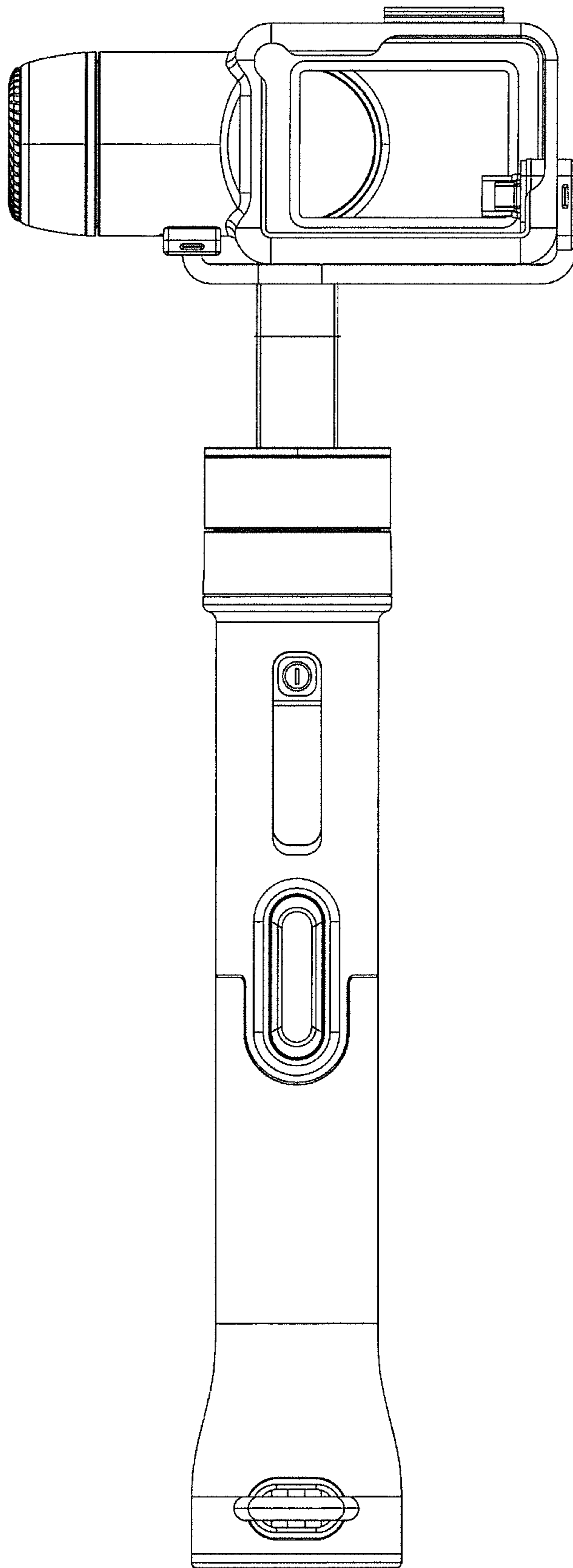


FIG. 11

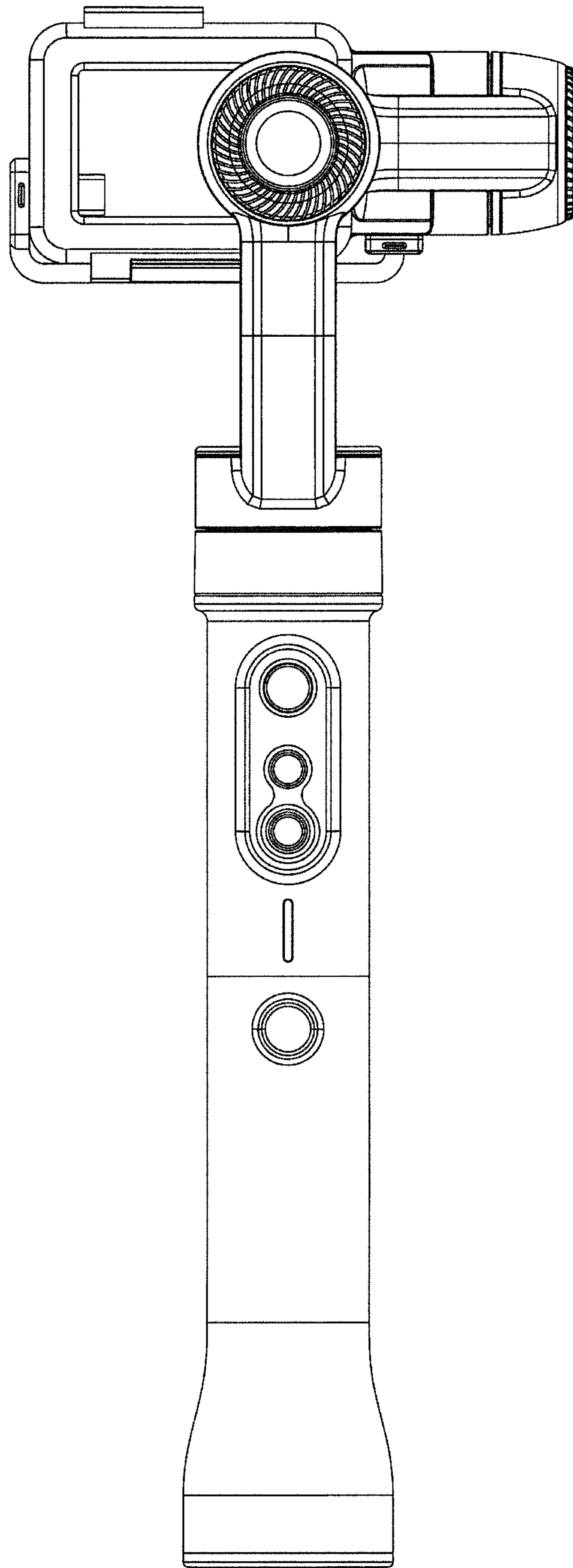


FIG. 12

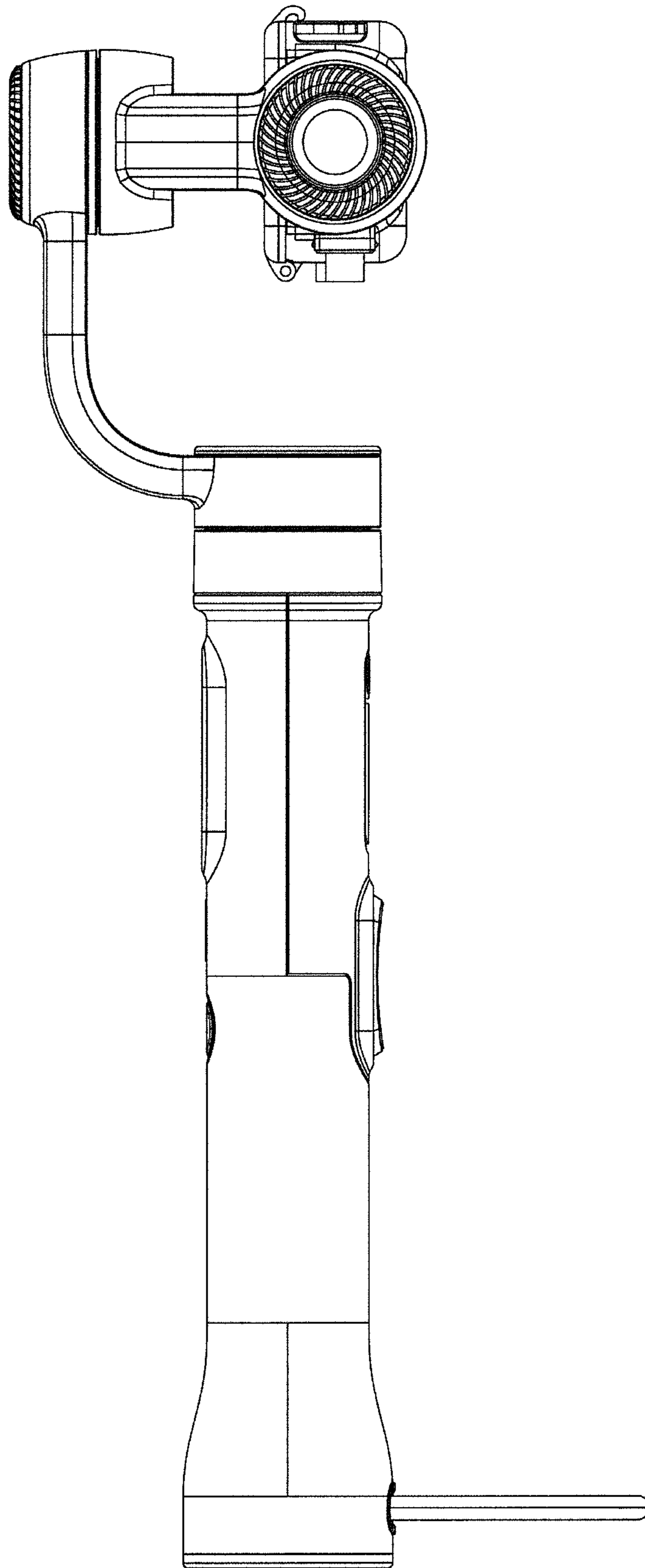


FIG. 13

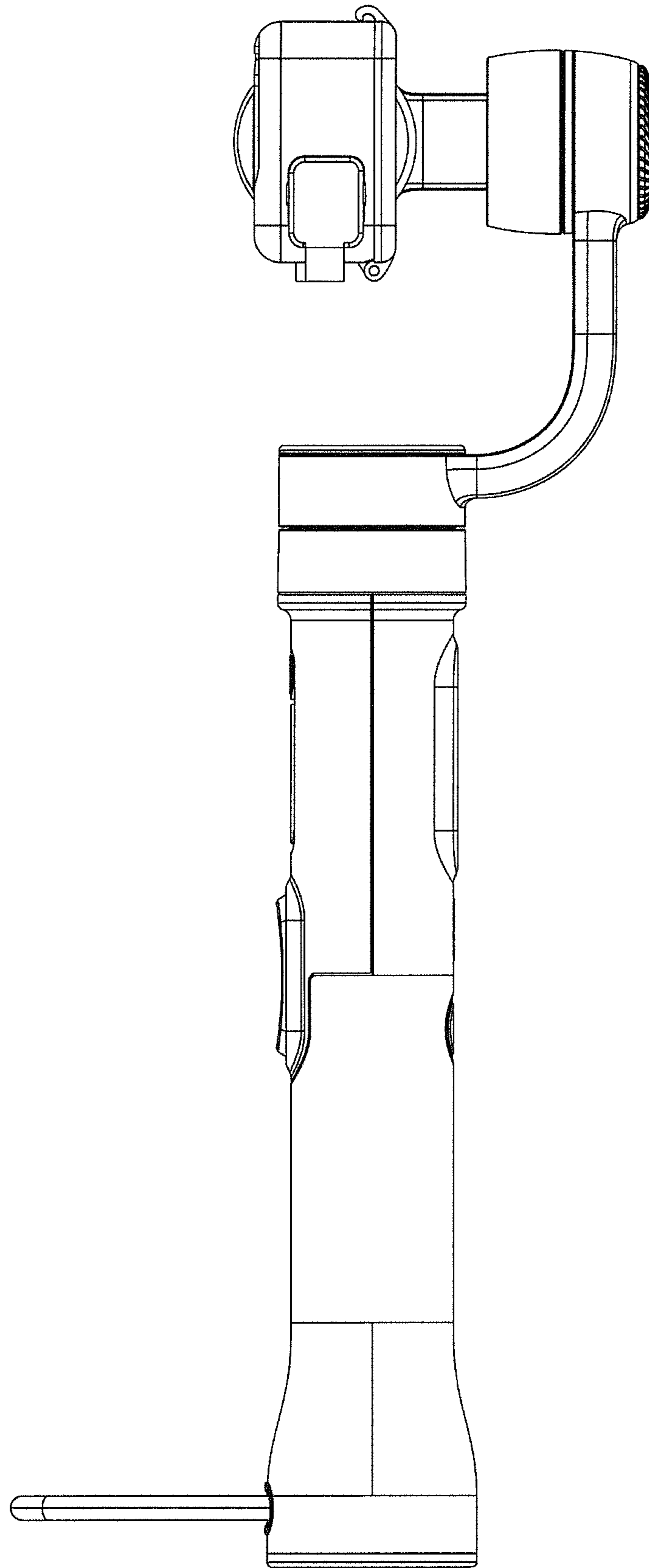


FIG. 14



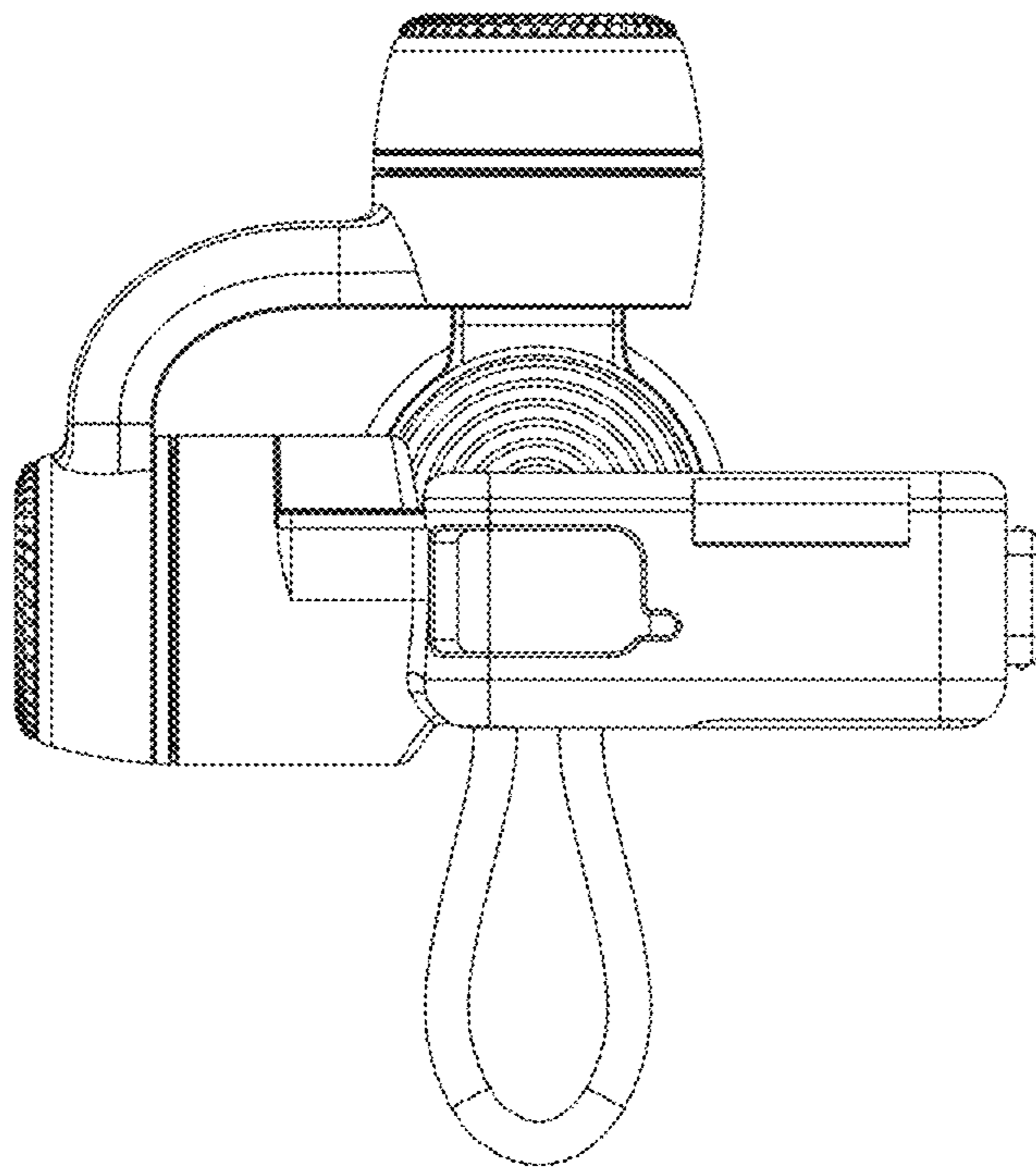


FIG. 15

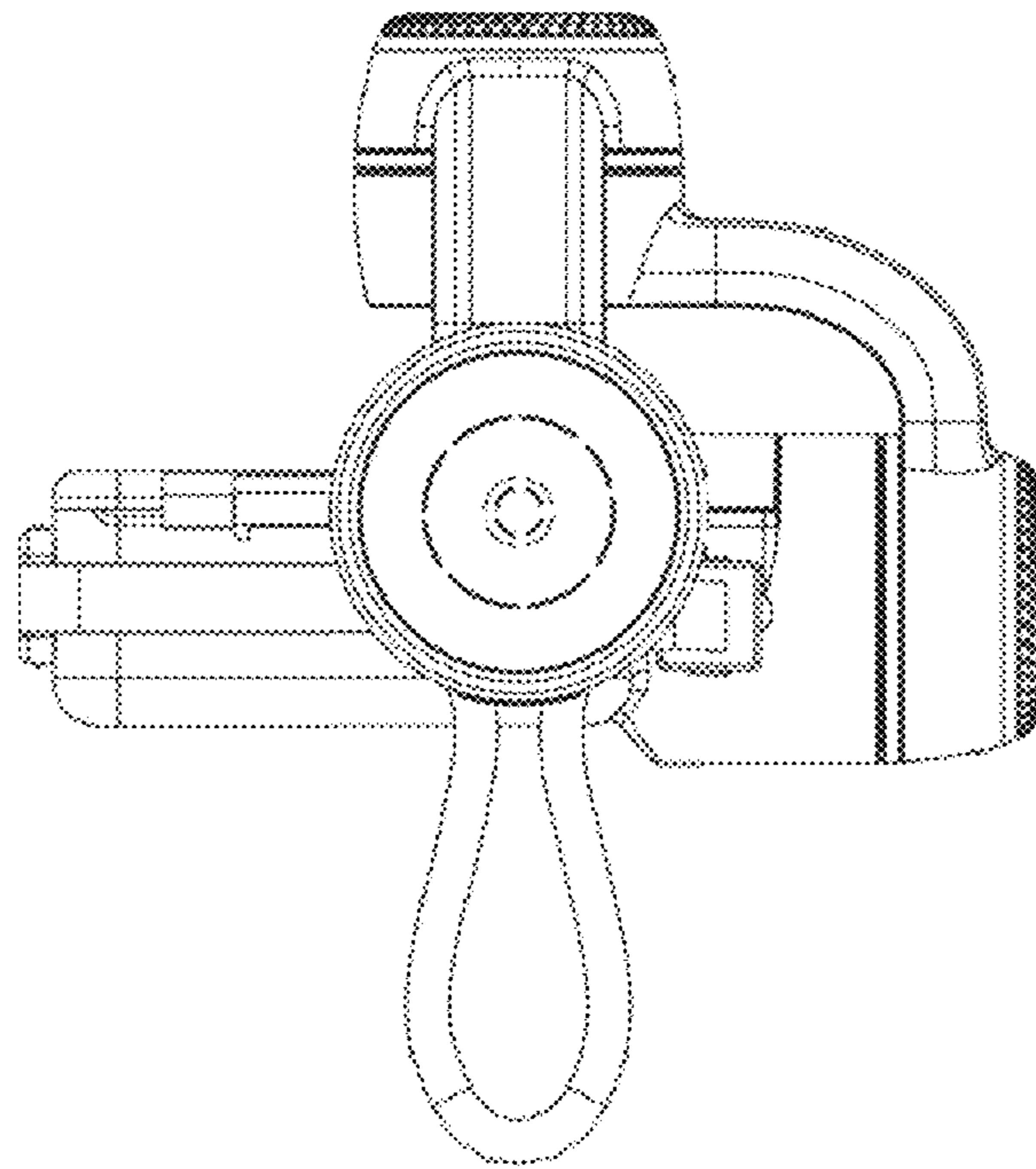


Figure 16