



US00D900915S

(12) **United States Design Patent**  
**Fried**

(10) **Patent No.:** **US D900,915 S**

(45) **Date of Patent:** **\*\* Nov. 3, 2020**

(54) **CAMERA MOUNT**

(71) Applicant: **Isaac Fried**, Toms River, NJ (US)

(72) Inventor: **Isaac Fried**, Toms River, NJ (US)

(\*\*) Term: **15 Years**

(21) Appl. No.: **29/734,589**

(22) Filed: **May 13, 2020**

**Related U.S. Application Data**

(63) Continuation of application No. 29/723,005, filed on Feb. 4, 2020, now Pat. No. Des. 886,183.

(51) **LOC (12) Cl.** ..... **16-05**

(52) **U.S. Cl.**

USPC ..... **D16/242**

(58) **Field of Classification Search**

USPC ..... D16/237–250, 219; D14/224, 229, 238,  
D14/251, 253, 447, 451, 457; D8/354,  
D8/355, 363, 373, 382–383, 394–396;  
D26/87, 92

CPC ..... G03B 17/56; G03B 17/561–566; F16M  
11/06–10; A45F 5/00; A45F 5/10

See application file for complete search history.

(56) **References Cited**

**U.S. PATENT DOCUMENTS**

D73,831 S *	11/1927	Guth	.....	D26/92
D308,389 S *	6/1990	Horn	.....	D16/219
D345,099 S *	3/1994	Oakes	.....	D8/380
D400,085 S *	10/1998	Haskin	.....	D8/363
D445,819 S *	7/2001	Backs	.....	D16/242
D486,173 S *	2/2004	Toste	.....	D16/242
D495,590 S *	9/2004	Goodman	.....	D8/367
D574,992 S *	8/2008	Citterio	.....	D26/87
D620,038 S *	7/2010	Rix	.....	D16/242
D641,773 S *	7/2011	Rix	.....	D16/242
D643,563 S *	8/2011	Gilad	.....	D26/87

D651,068 S *	12/2011	Kang	.....	D8/363
9,057,934 B2 *	6/2015	Lellky	.....	G03B 17/561
D734,379 S *	7/2015	Tankersley	.....	D16/203
D744,321 S *	12/2015	Boynton	.....	D8/363
D745,374 S *	12/2015	Liu	.....	D8/355
D754,528 S *	4/2016	Fujioka	.....	D8/382
D781,688 S *	3/2017	Honein	.....	D8/363
D783,390 S *	4/2017	Nelson	.....	D8/382
D802,200 S *	11/2017	Sonneman	.....	D26/87
D818,026 S *	5/2018	Ravat	.....	D16/203
D824,446 S *	7/2018	Ravat	.....	D16/203
D824,447 S *	7/2018	Li	.....	D16/203
D825,638 S *	8/2018	Holbrook	.....	D16/203
D826,457 S *	8/2018	Amato	.....	D26/86
D831,875 S *	10/2018	Sperling	.....	D26/87
D841,076 S *	2/2019	Wengreen	.....	D16/242
D859,963 S *	9/2019	Hanley	.....	D8/363
D872,562 S *	1/2020	He	.....	D8/354
D873,887 S *	1/2020	Rusz	.....	D16/203

(Continued)

*Primary Examiner* — Vy N Koenig

(74) *Attorney, Agent, or Firm* — Bochner IP; Andrew D. Bochner

(57)

**CLAIM**

The ornamental design for a camera mount, as shown and described.

**DESCRIPTION**

FIG. 1 is a top, front, right side perspective view of a camera mount showing my new design;

FIG. 2 is a front elevation view thereof;

FIG. 3 is a rear elevation view thereof;

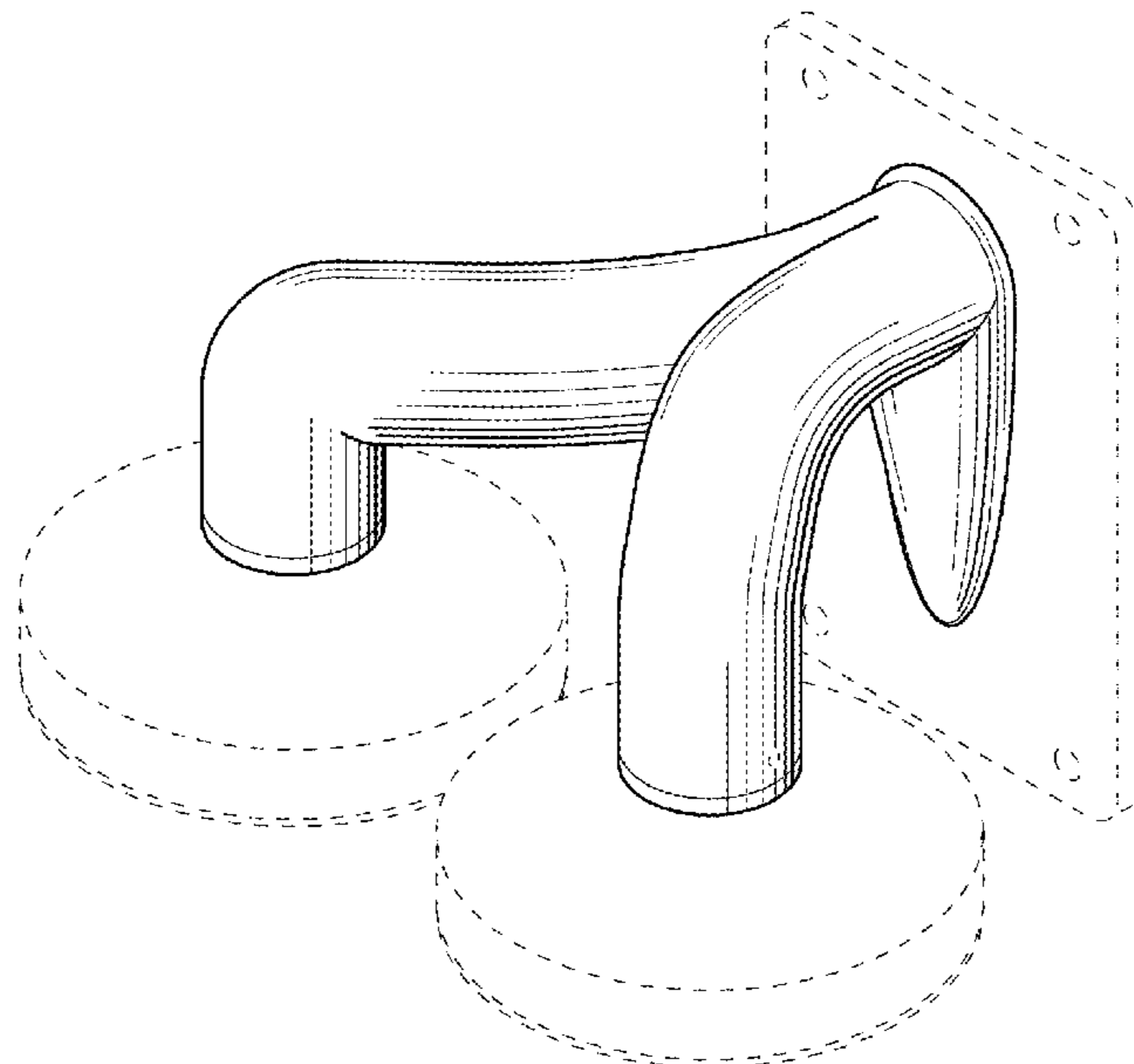
FIG. 4 is a left side elevation view thereof, the right side elevation view being a mirror image;

FIG. 5 is a top plan view thereof; and,

FIG. 6 is a bottom plan view thereof.

In the drawings, the broken lines are for the purpose of illustrating environment only, and form no part of the claimed design.

**1 Claim, 3 Drawing Sheets**



(56)

**References Cited**

U.S. PATENT DOCUMENTS

D873,888 S *	1/2020	Rusz .....	D16/203
D873,897 S *	1/2020	Wengreen .....	D16/242
D876,528 S *	2/2020	Sequeira de Sousa .....	D16/242
D877,961 S *	3/2020	Eads .....	D26/87
D893,082 S *	8/2020	Amato .....	D26/87
D893,284 S *	8/2020	Hanley .....	D8/354

\* cited by examiner

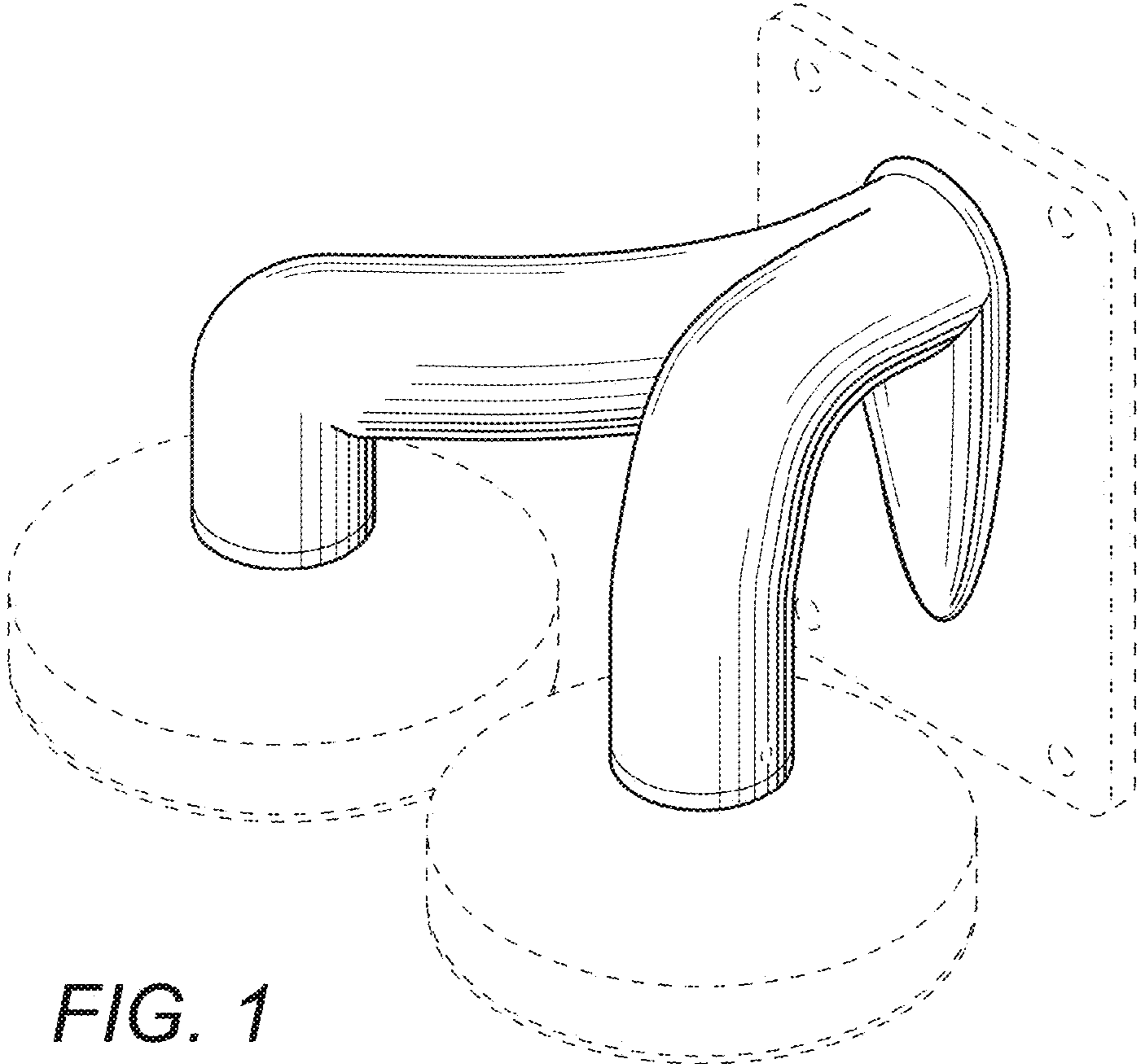


FIG. 1

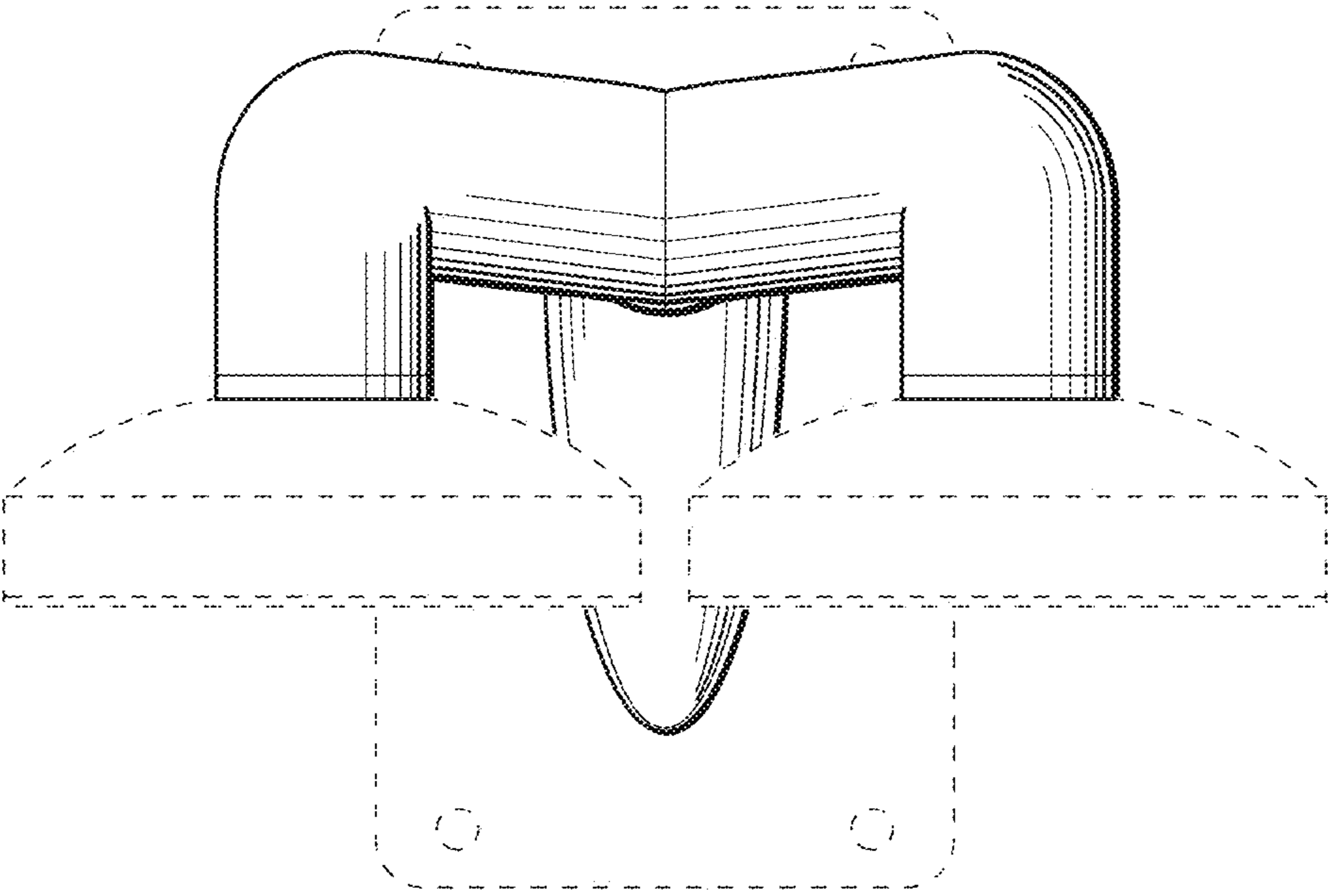
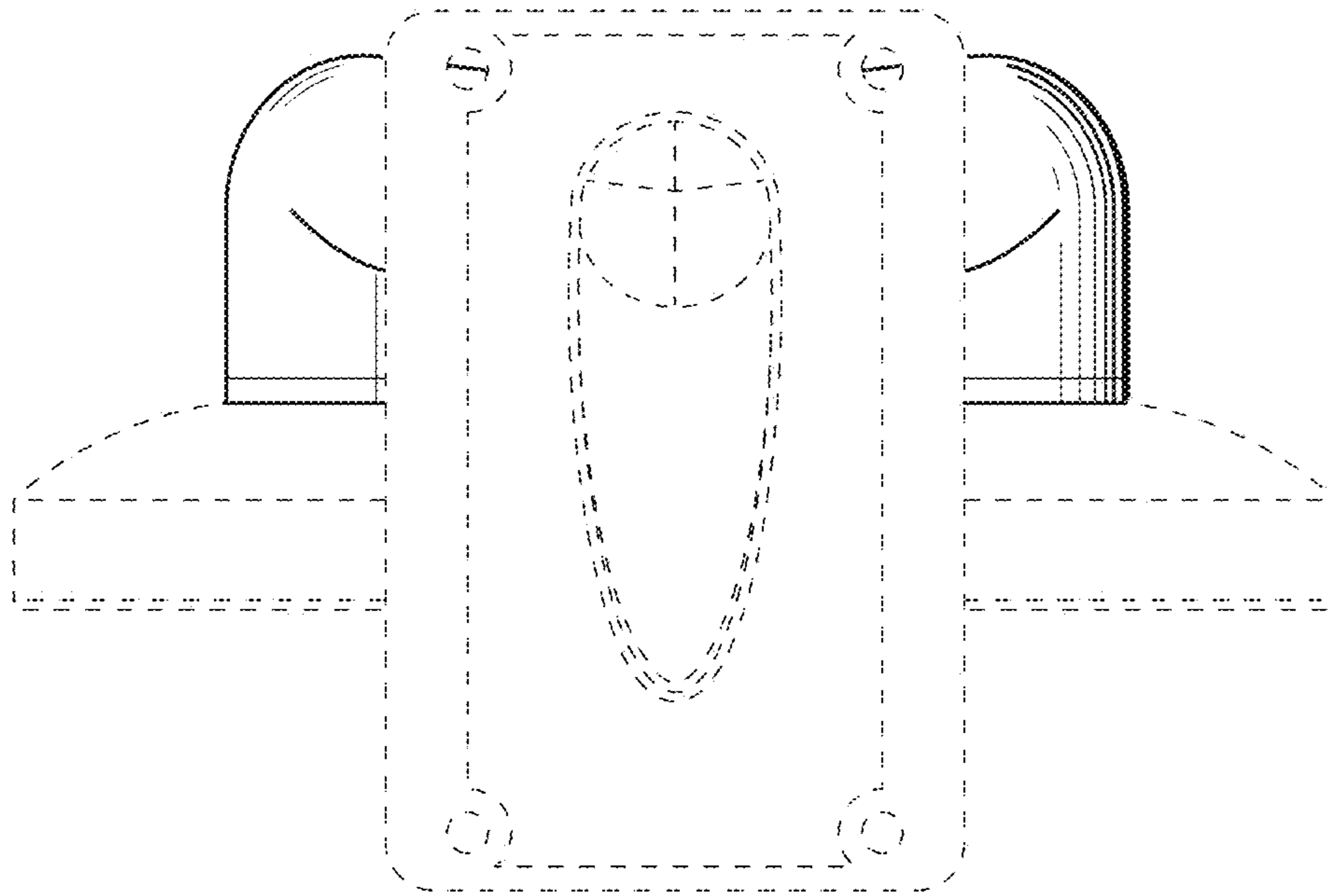
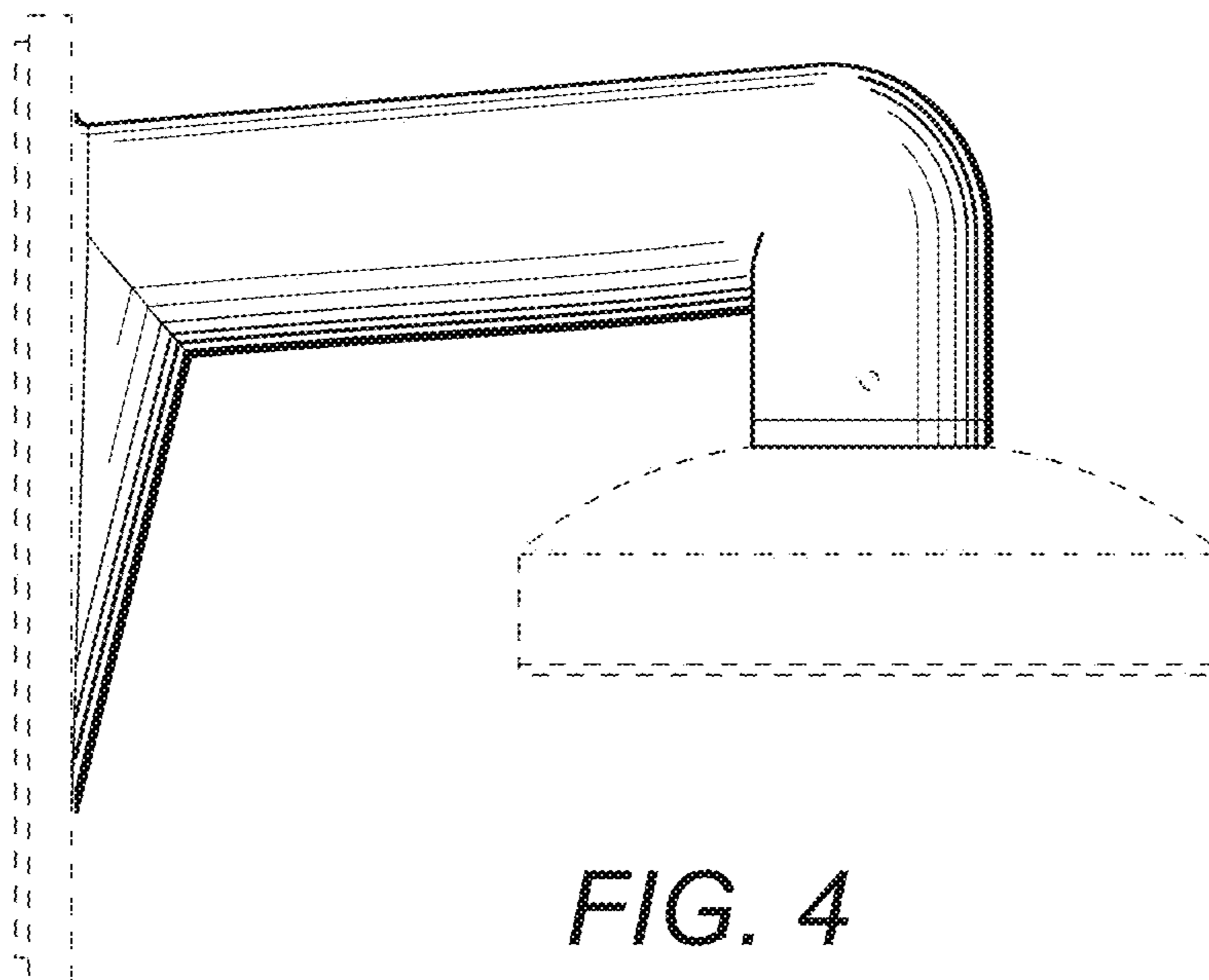


FIG. 2



*FIG. 3*



*FIG. 4*

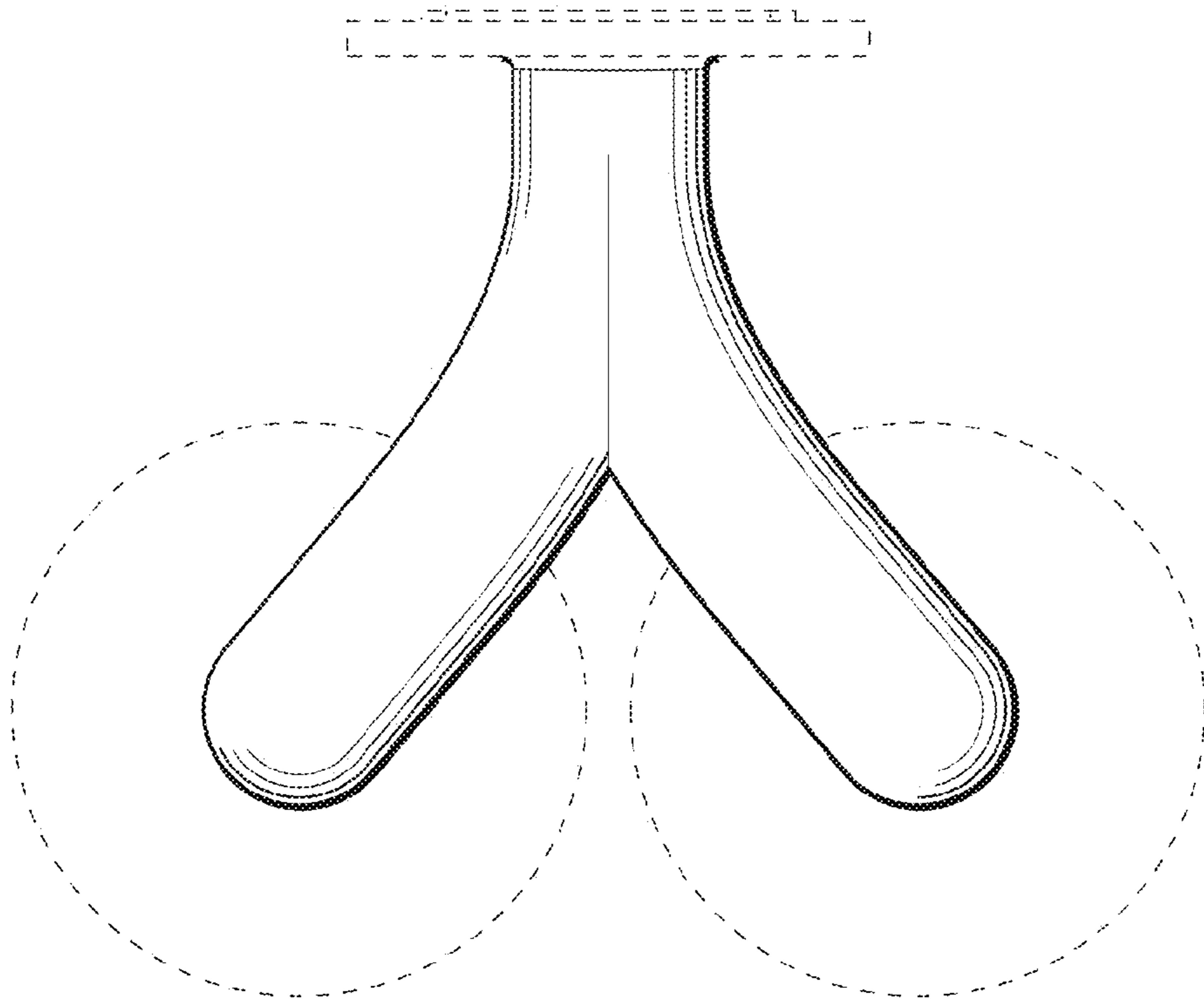


FIG. 5

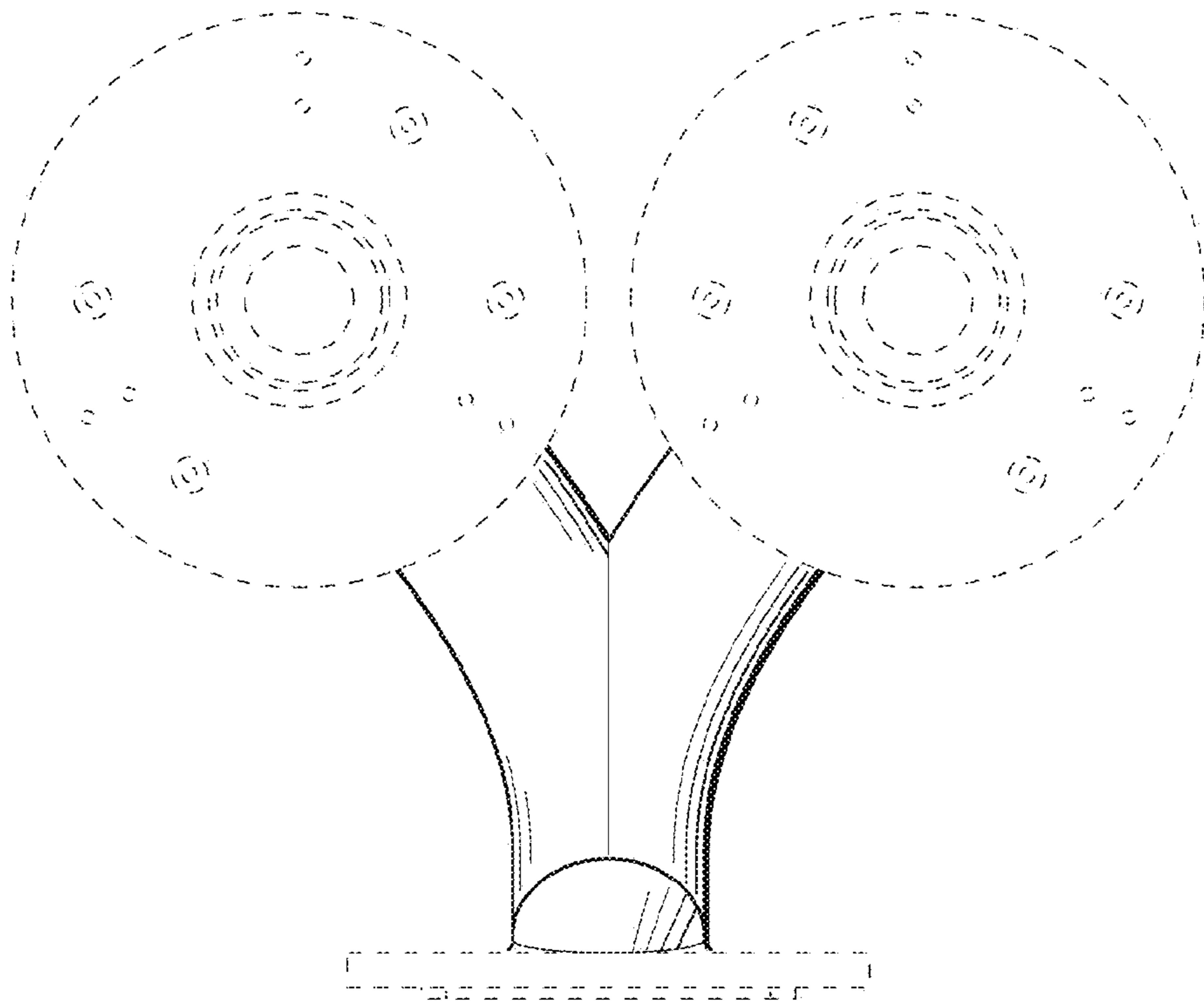


FIG. 6