



US00D900913S

(12) **United States Design Patent** (10) **Patent No.:** **US D900,913 S**
Cho et al. (45) **Date of Patent:** **** Nov. 3, 2020**

(54) **PROJECTOR**

(71) Applicant: **LG ELECTRONICS INC.**, Seoul (KR)

(72) Inventors: **Yoonyoung Cho**, Seoul (KR);
Daihyung Ryu, Seoul (KR);
Seongyeong Park, Seoul (KR);
Eunbong Lee, Seoul (KR)

(73) Assignee: **LG ELECTRONICS INC.**, Seoul (KR)

(**) Term: **15 Years**

(21) Appl. No.: **35/507,804**

(22) Filed: **May 15, 2019**

(80) **Hague Agreement Data**

Int. Filing Date: **May 15, 2019**

Int. Reg. No.: **DM/203766**

Int. Reg. Date: **May 15, 2019**

Int. Reg. Pub. Date: **Nov. 15, 2019**

(30) **Foreign Application Priority Data**

Nov. 22, 2018 (KR) 30-2018-0054382

(51) **LOC (12) Cl.** **16-02**

(52) **U.S. Cl.**
USPC **D16/221; D16/230**

(58) **Field of Classification Search**
USPC D16/221, 225, 229-231, 234-235;
D14/496, 125, 135, 188
CPC G03B 21/00; G03B 21/001; G03B 21/003;
G03B 21/12; G03B 21/14; G03B 21/145
See application file for complete search history.

(56) **References Cited**

U.S. PATENT DOCUMENTS

D294,859 S *	3/1988	Kreisher	D16/221
D300,535 S *	4/1989	Sable	D16/221
D391,592 S *	3/1998	Sakamoto	D16/221
D542,828 S *	5/2007	Tsukahara	D16/221
D544,898 S *	6/2007	Kawabe	D16/221
D545,861 S *	7/2007	Naruki	D16/221
D545,865 S *	7/2007	Azuma	D16/221
D546,864 S *	7/2007	Kim	D16/221
D548,764 S *	8/2007	Ogino	D16/221
D550,268 S *	9/2007	Naruki	D16/221
D551,691 S *	9/2007	Sakamaki	D16/221
D565,080 S *	3/2008	Ishikawa	D16/221
D598,944 S *	8/2009	Collet	D16/221
D670,321 S *	11/2012	Chien	D16/221
D820,899 S *	6/2018	Shiono	D16/221
D871,488 S *	12/2019	Lee	D16/221

* cited by examiner

Primary Examiner — Holly E Thurman

(74) *Attorney, Agent, or Firm* — Birch, Stewart, Kolasch & Birch, LLP

(57) **CLAIM**

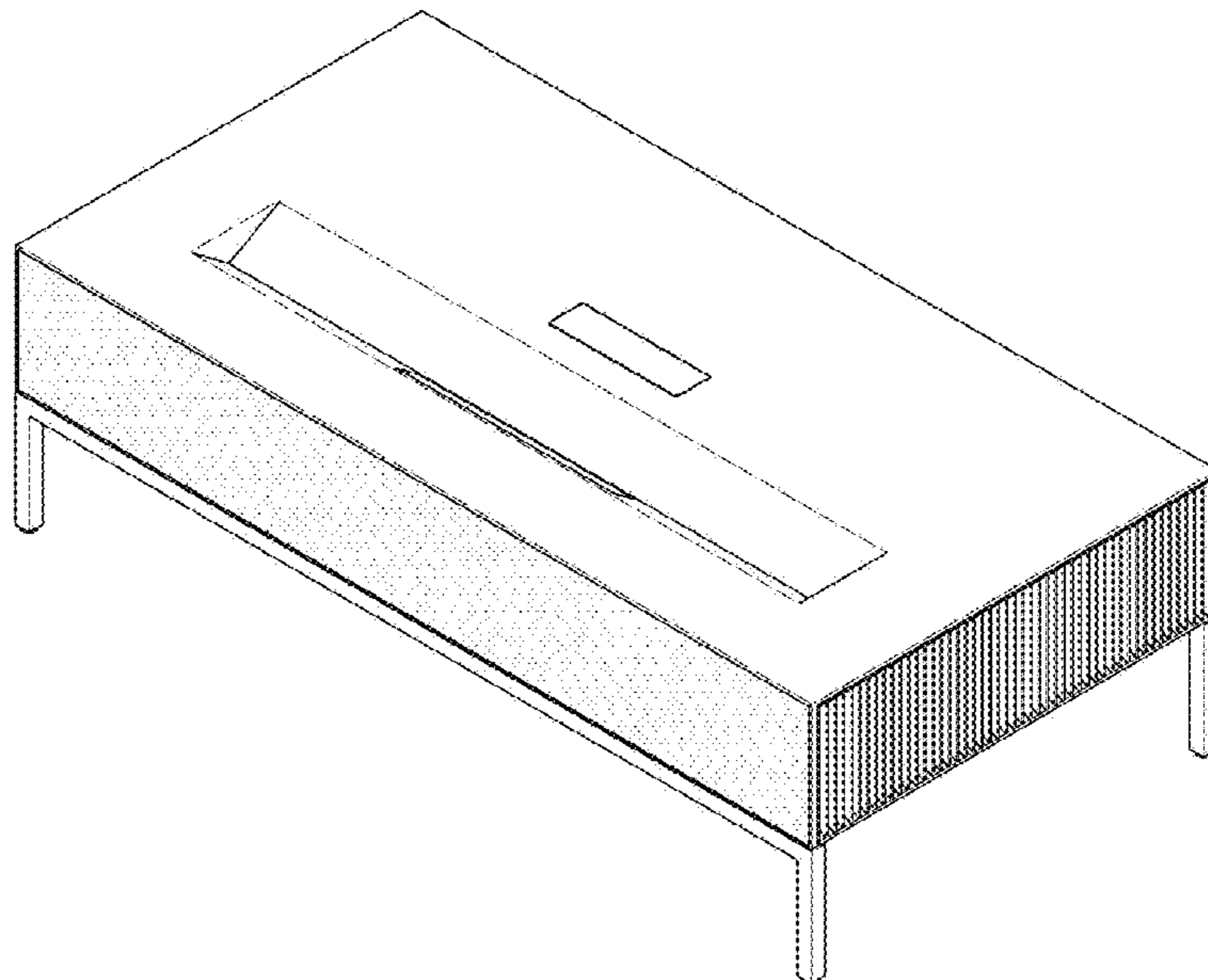
The ornamental design for a projector, as shown and described.

DESCRIPTION

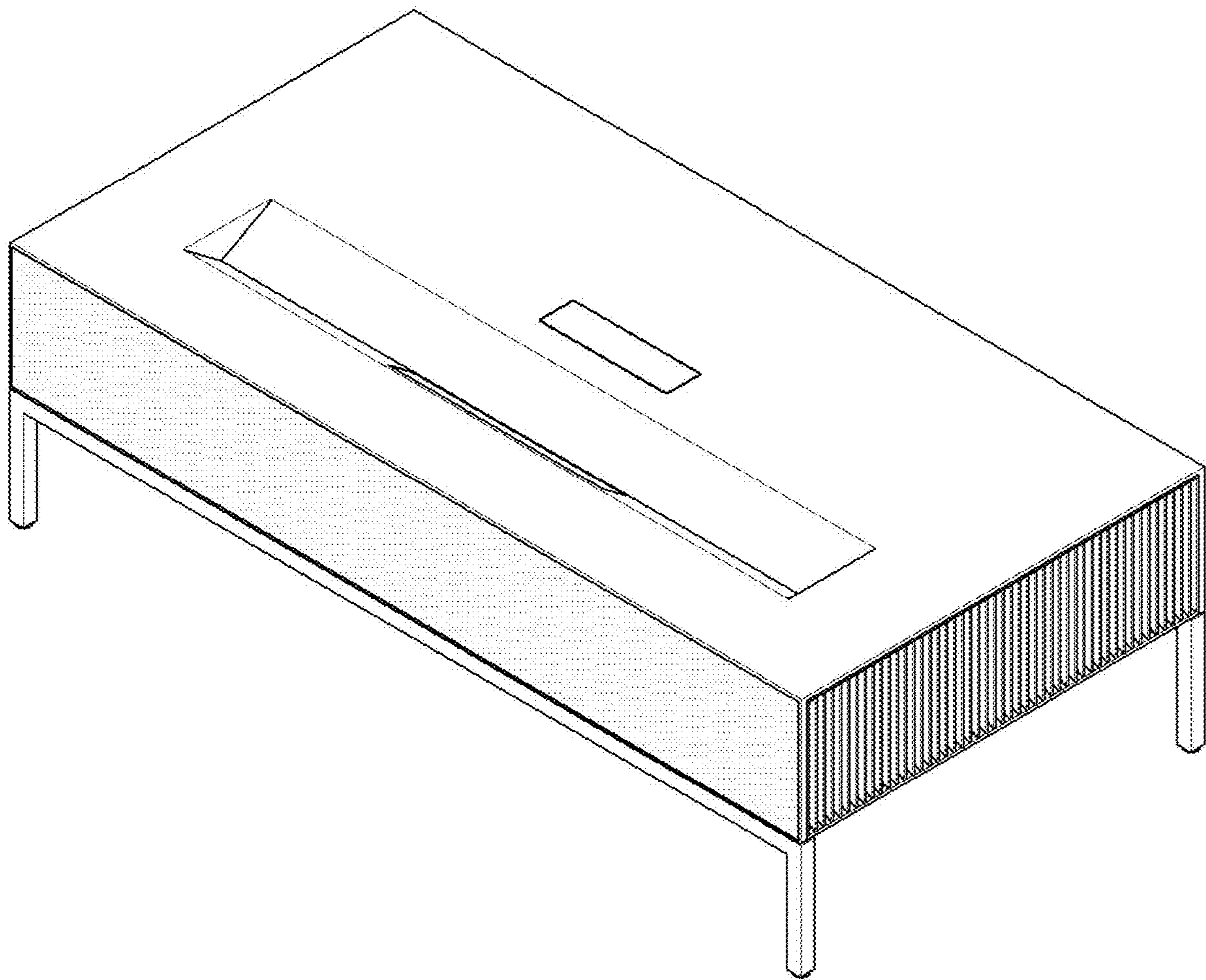
- 1. Projector
- 1.1 : Perspective
- 1.2 : Front
- 1.3 : Back
- 1.4 : Left
- 1.5 : Right
- 1.6 : Top
- 1.7 : Bottom

The broken lines indicate portions of the article that form no part of the claimed design.

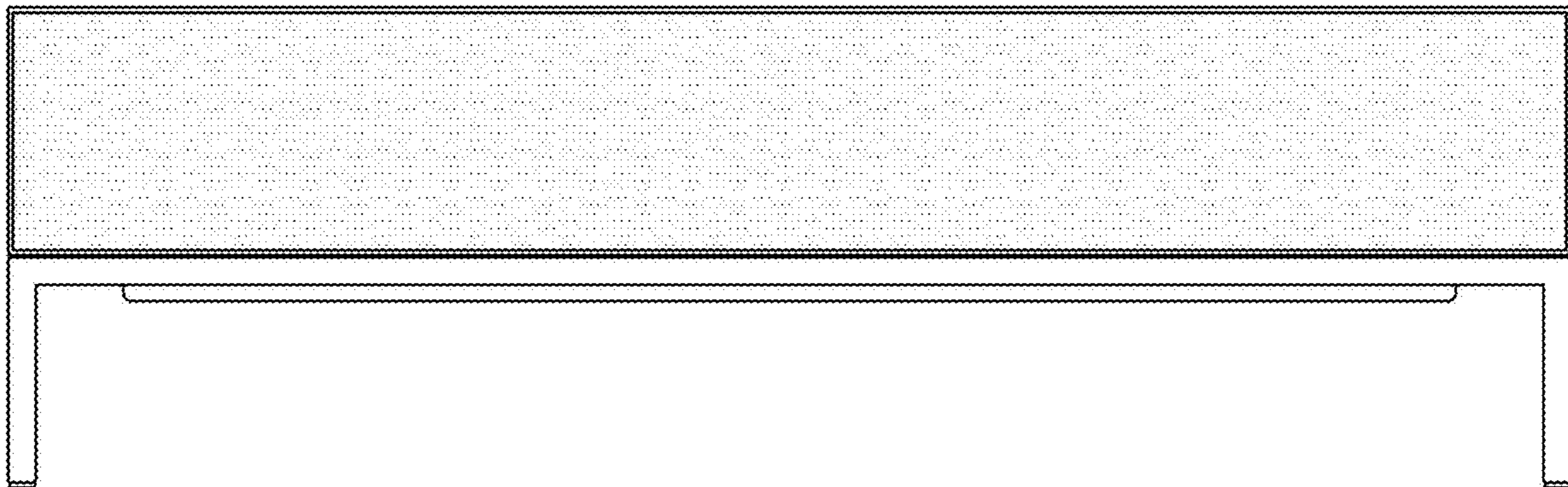
1 Claim, 7 Drawing Sheets



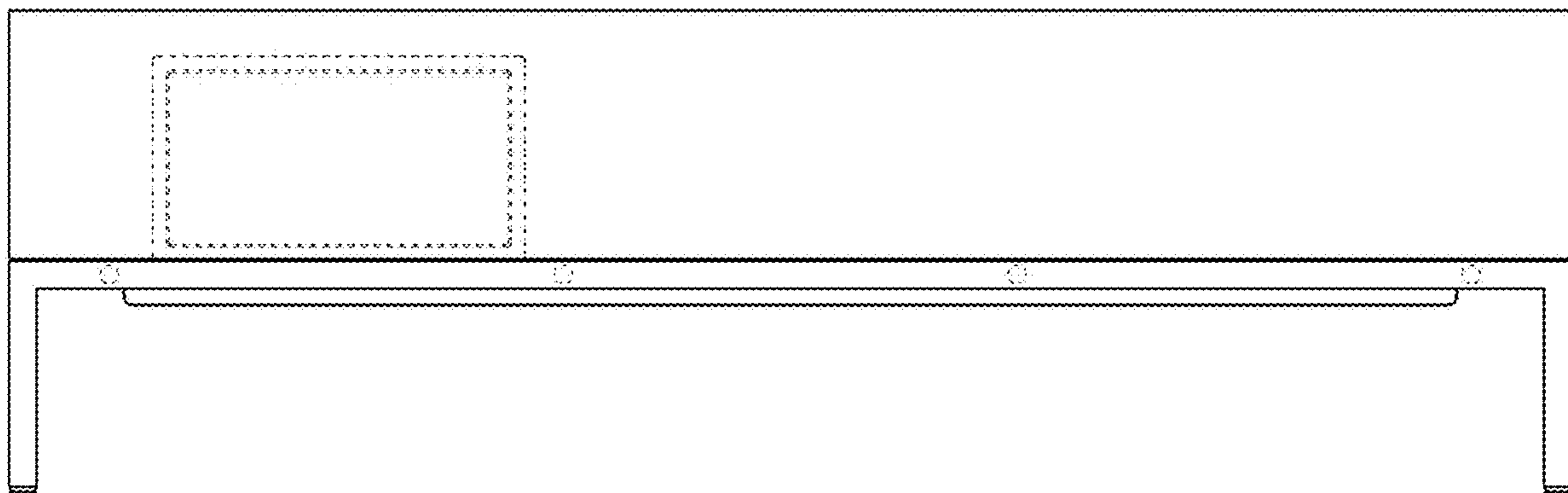
1.1



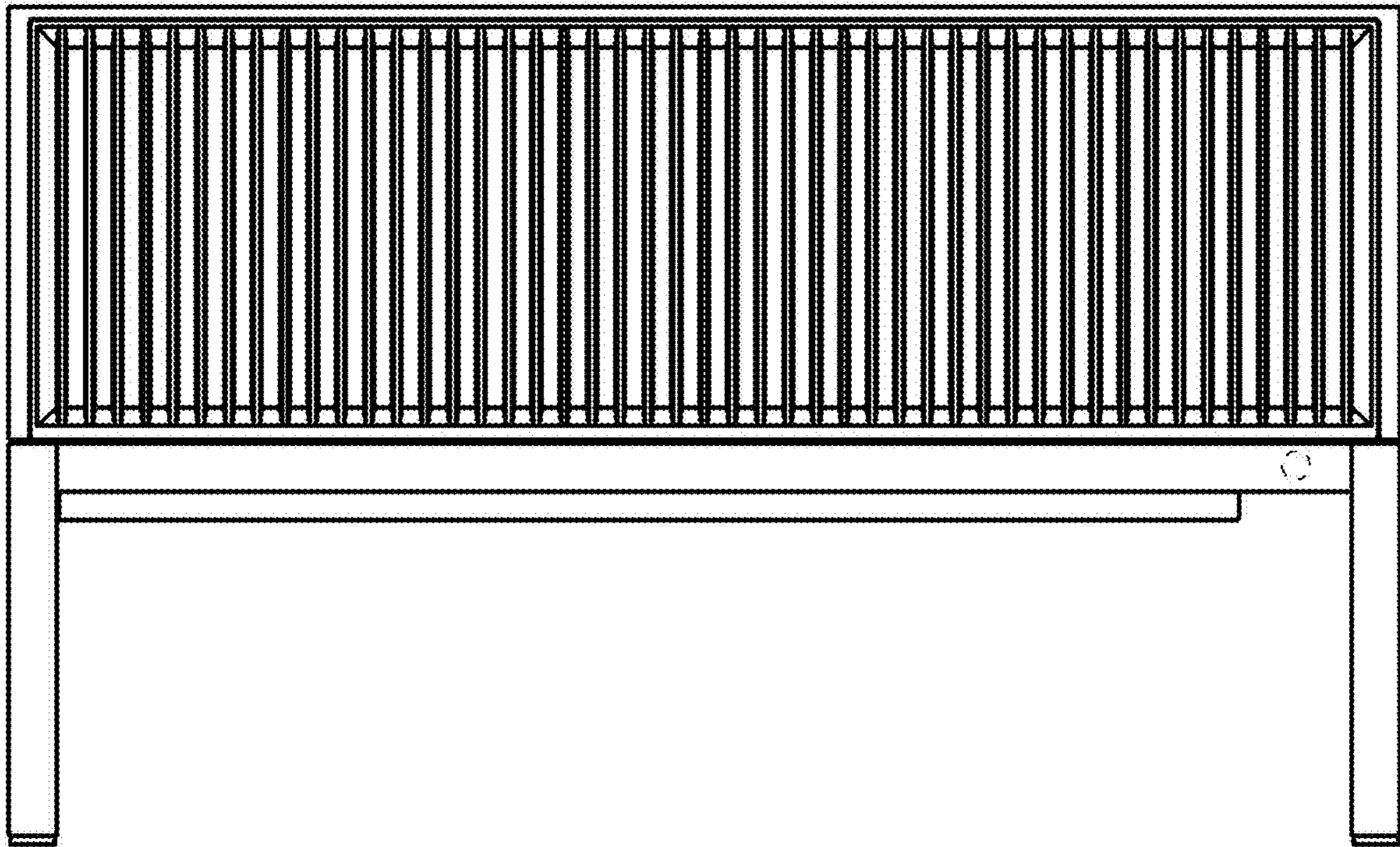
1.2



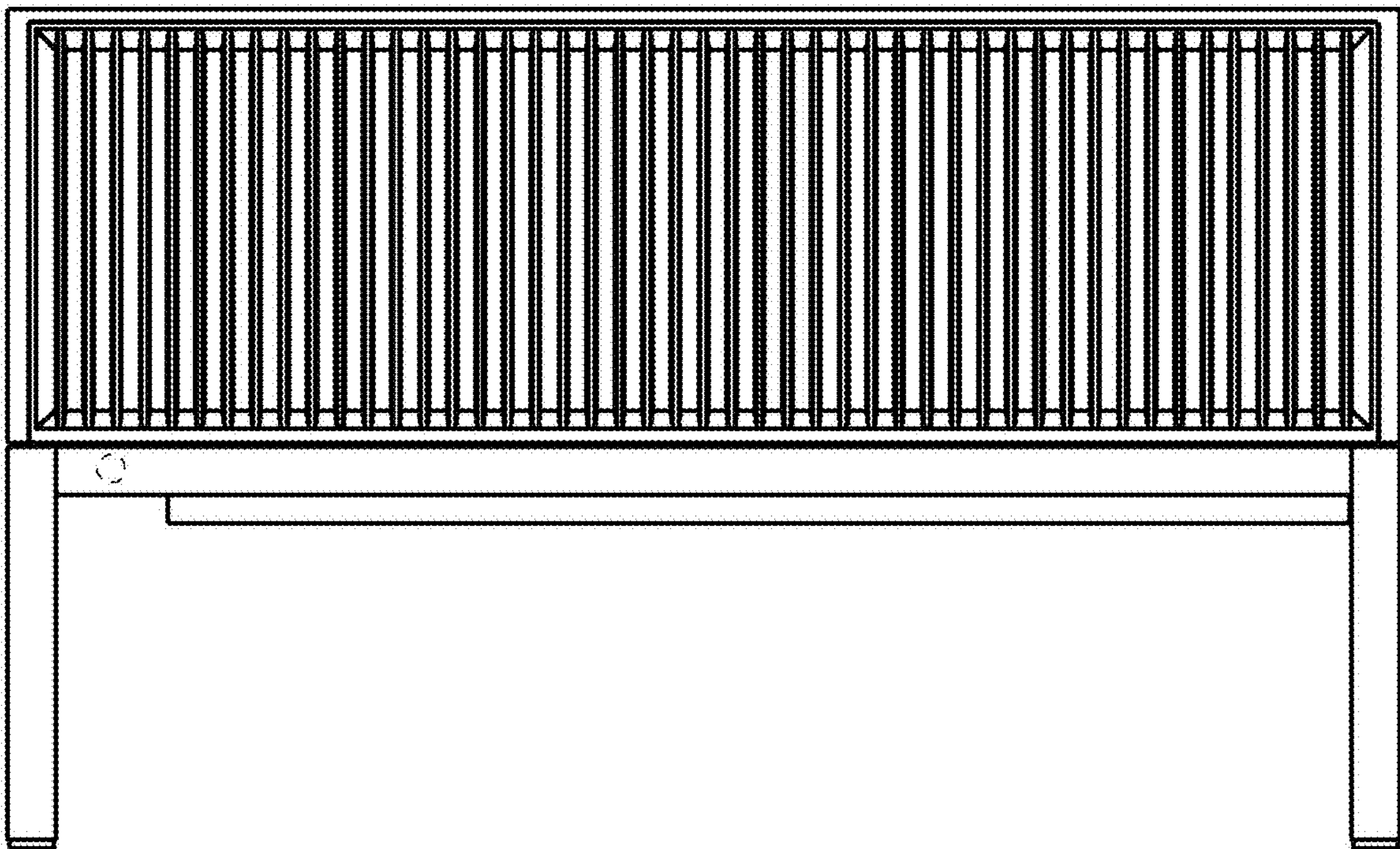
1.3



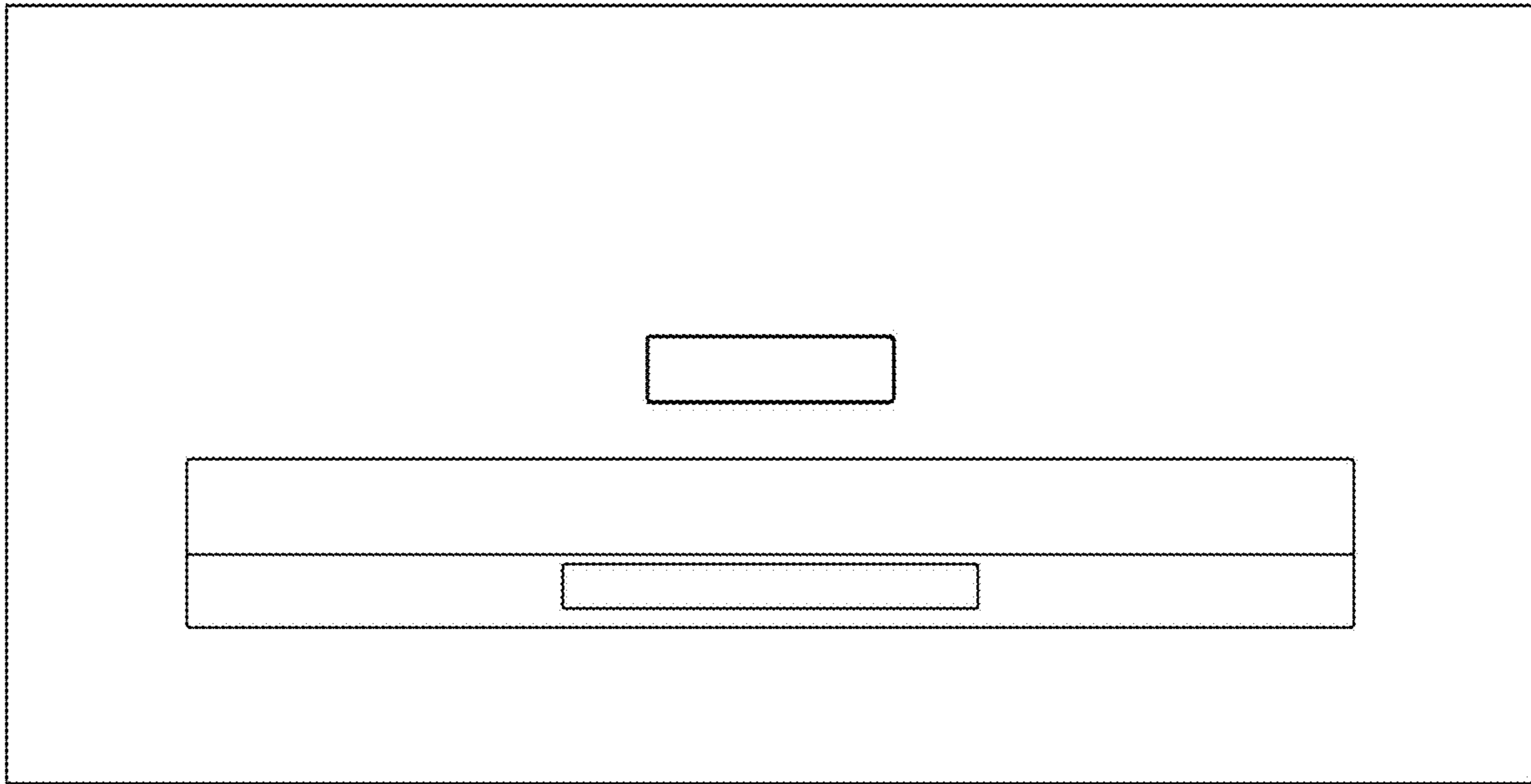
1.4



1.5



1.6



1.7

