



US00D900911S

(12) **United States Design Patent** (10) **Patent No.:** **US D900,911 S**
Muhlenkamp, IV et al. (45) **Date of Patent:** **** Nov. 3, 2020**

(54) **MULTI-LENS CAMERA**

(71) Applicant: **GoPro, Inc.**, San Mateo, CA (US)

(72) Inventors: **John George Muhlenkamp, IV**,
Brisbane, CA (US); **Huy Phuong**
Nguyen, San Mateo, CA (US)

(73) Assignee: **GoPro, Inc.**, San Mateo, CA (US)

(**) Term: **15 Years**

(21) Appl. No.: **29/730,562**

(22) Filed: **Apr. 6, 2020**

Related U.S. Application Data

(63) Continuation of application No. 29/711,372, filed on Oct. 30, 2019, now Pat. No. Des. 880,561, which is a continuation of application No. 29/699,947, filed on Jul. 30, 2019, now Pat. No. Des. 868,874, which is a continuation of application No. 29/549,344, filed on Dec. 21, 2015, now Pat. No. Des. 830,446, which is a continuation of application No. 29/665,724, filed on Oct. 5, 2018, now Pat. No. Des. 861,765, which is a continuation-in-part of application No. 29/548,661, filed on Dec. 15, 2015, now abandoned.

(51) **LOC (12) Cl.** **16-05**

(52) **U.S. Cl.**
USPC **D16/219**; D16/210

(58) **Field of Classification Search**
USPC D16/134, 136, 200–210, 212, 218, 219;
348/373–376; 396/448, 535, 539–541
CPC G03B 15/03; G03B 17/02; G03B 17/04;
G03B 17/56; G03B 19/04; H04N 5/2251;
H04N 5/2252; H04N 5/2253; H04N
5/2254; H04N 7/181; H04N 7/183; H04N
7/18

See application file for complete search history.

(56) **References Cited**

U.S. PATENT DOCUMENTS

D463,469 S *	9/2002	Kawase	D16/202
D480,741 S	10/2003	Berger	
D484,164 S *	12/2003	Ogura	D16/202
D486,510 S *	2/2004	Ogura	D16/202
6,718,129 B1	4/2004	Cornell	
D496,674 S	9/2004	Hayashi	
D531,199 S	10/2006	Matsuda	
D556,803 S *	12/2007	Ishida	D16/202
D594,047 S	6/2009	Lee	
D594,497 S *	6/2009	Hatori	D16/202
D617,360 S *	6/2010	Endo	D16/134
D635,607 S *	4/2011	Takagi	D16/219
D660,339 S *	5/2012	Yoshida	D16/202
D676,476 S	2/2013	Ishikura	
D692,042 S	10/2013	Dawes	
D692,939 S	11/2013	Huang	
D725,691 S	3/2015	De Rosa	
D744,572 S	12/2015	Tabuchi	

(Continued)

Primary Examiner — Ramzi S Almatrahi

(74) *Attorney, Agent, or Firm* — Young Basile Hanlon & MacFarlane, P.C.

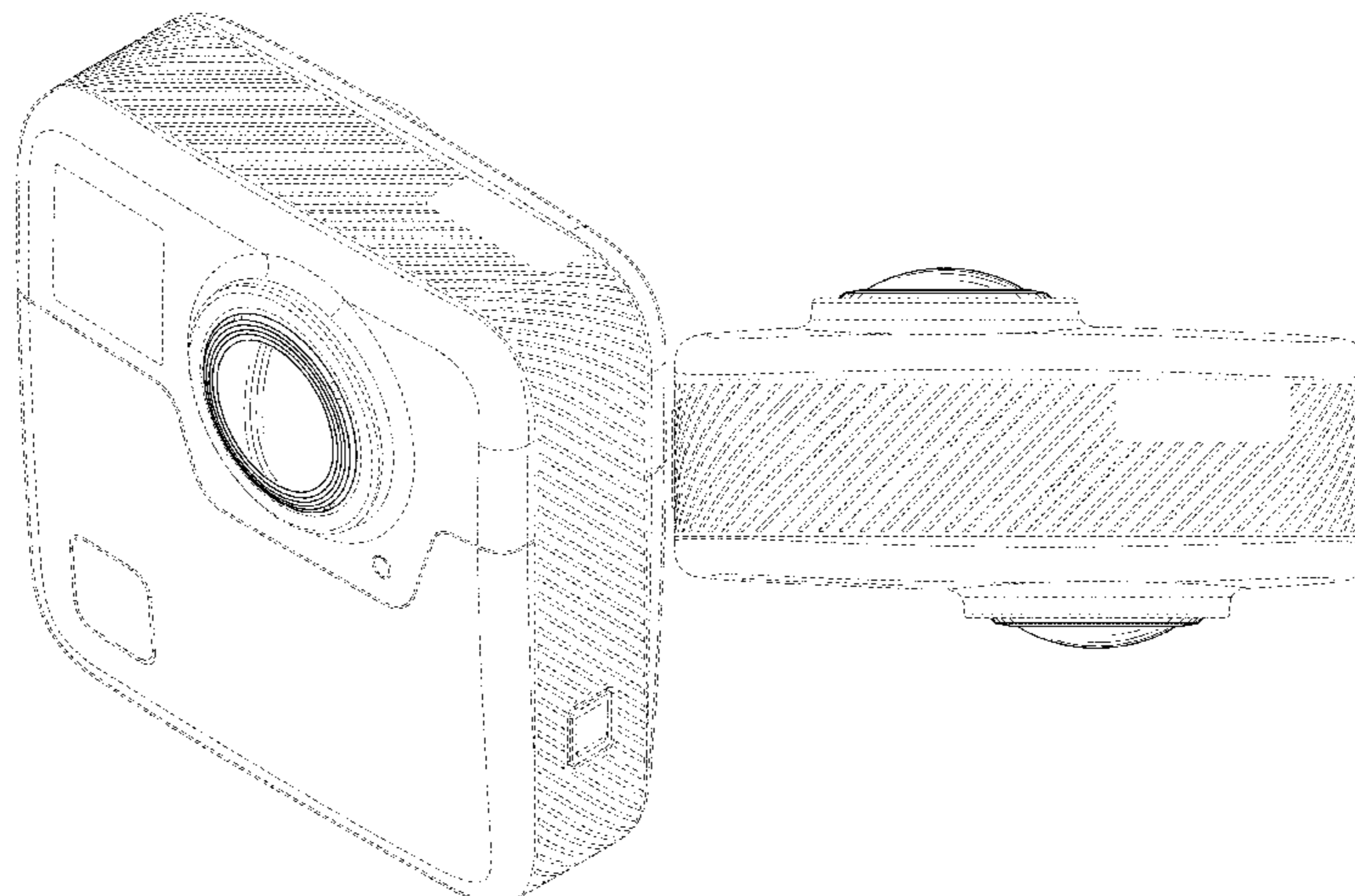
(57) **CLAIM**

The ornamental design for a multi-lens camera, as shown and described.

DESCRIPTION

FIG. 1 is a top, front, and right side perspective view of a multi-lens camera showing our new design;
FIG. 2 is a front view thereof;
FIG. 3 is a rear view thereof;
FIG. 4 is a left view thereof;
FIG. 5 is a right view thereof;
FIG. 6 is a top view thereof; and,
FIG. 7 is a bottom view thereof.
The broken lines depict portions of the multi-lens camera in which the design is embodied that form no part of the claimed design.

1 Claim, 7 Drawing Sheets



(56)

References Cited

U.S. PATENT DOCUMENTS

D754,769	S	4/2016	Patulski	
D755,271	S	5/2016	Patulski	
D755,274	S	5/2016	Lee	
D764,559	S	8/2016	Luo	
D776,183	S *	1/2017	Miyazaki	D16/219
D791,211	S	7/2017	Fujita	
D794,695	S	8/2017	Zhang	
D814,543	S	4/2018	Oshima	
D815,677	S *	4/2018	Gao	D16/218
D818,025	S	5/2018	Wong	
D818,029	S	5/2018	Fujita	
D820,339	S	6/2018	Yau	
D820,898	S	6/2018	Fujita	
D825,636	S	8/2018	Hueber	
D829,260	S	9/2018	Fujita	
D838,762	S	1/2019	Piekarski	
D839,945	S	2/2019	Lenz	
D848,509	S	5/2019	Lee	
D849,076	S	5/2019	Bertram	
D849,078	S	5/2019	Girotti	
D849,100	S *	5/2019	Hsu	D16/210
D852,256	S *	6/2019	Bai	D16/218
D859,498	S	9/2019	Lin	
D864,275	S *	10/2019	Huang	D16/202
D865,844	S	11/2019	Jalala	
D865,845	S	11/2019	Sakai	
D867,427	S	11/2019	Bai	
2014/0160349	A1	6/2014	Huang	

* cited by examiner

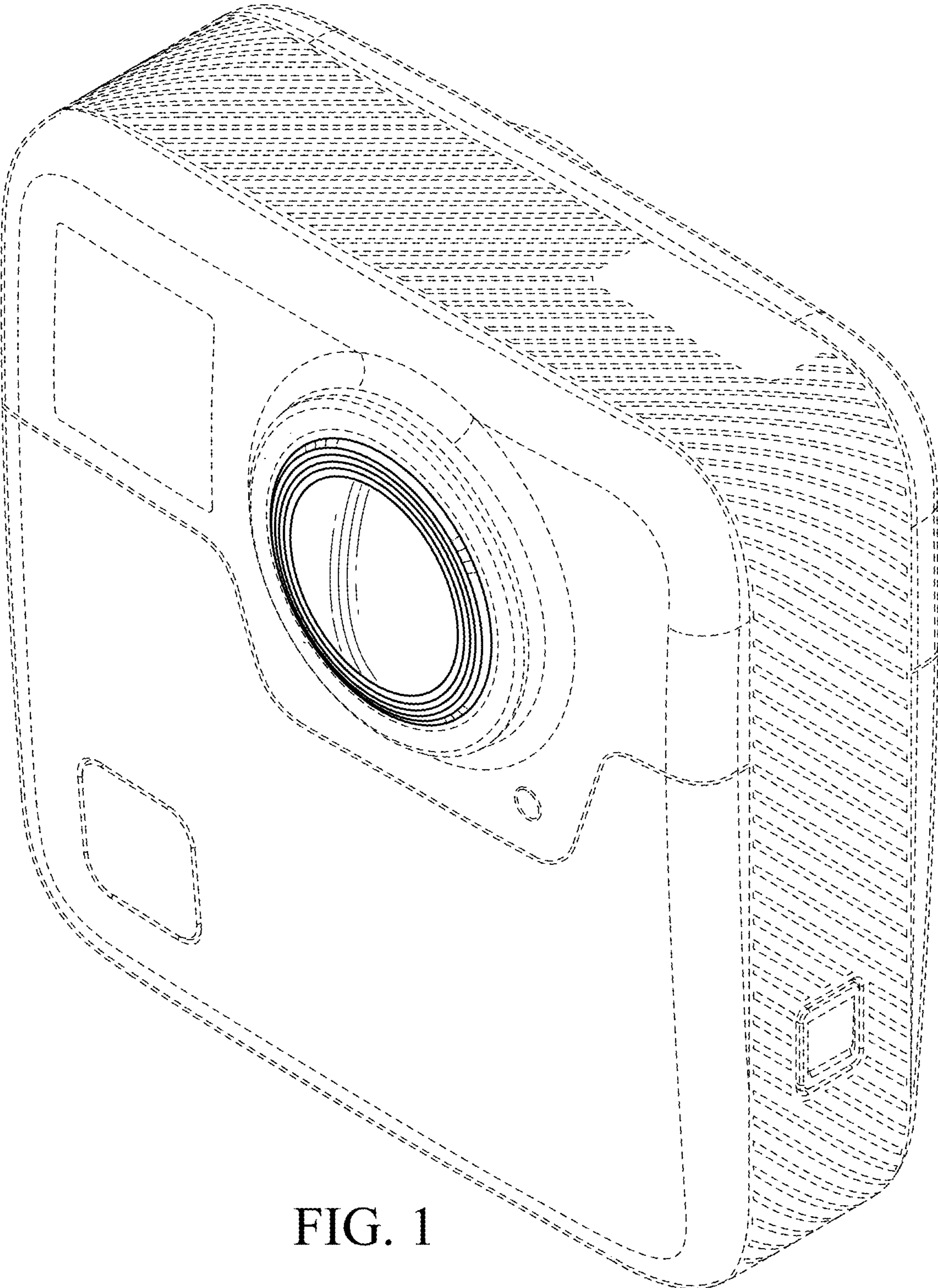


FIG. 1

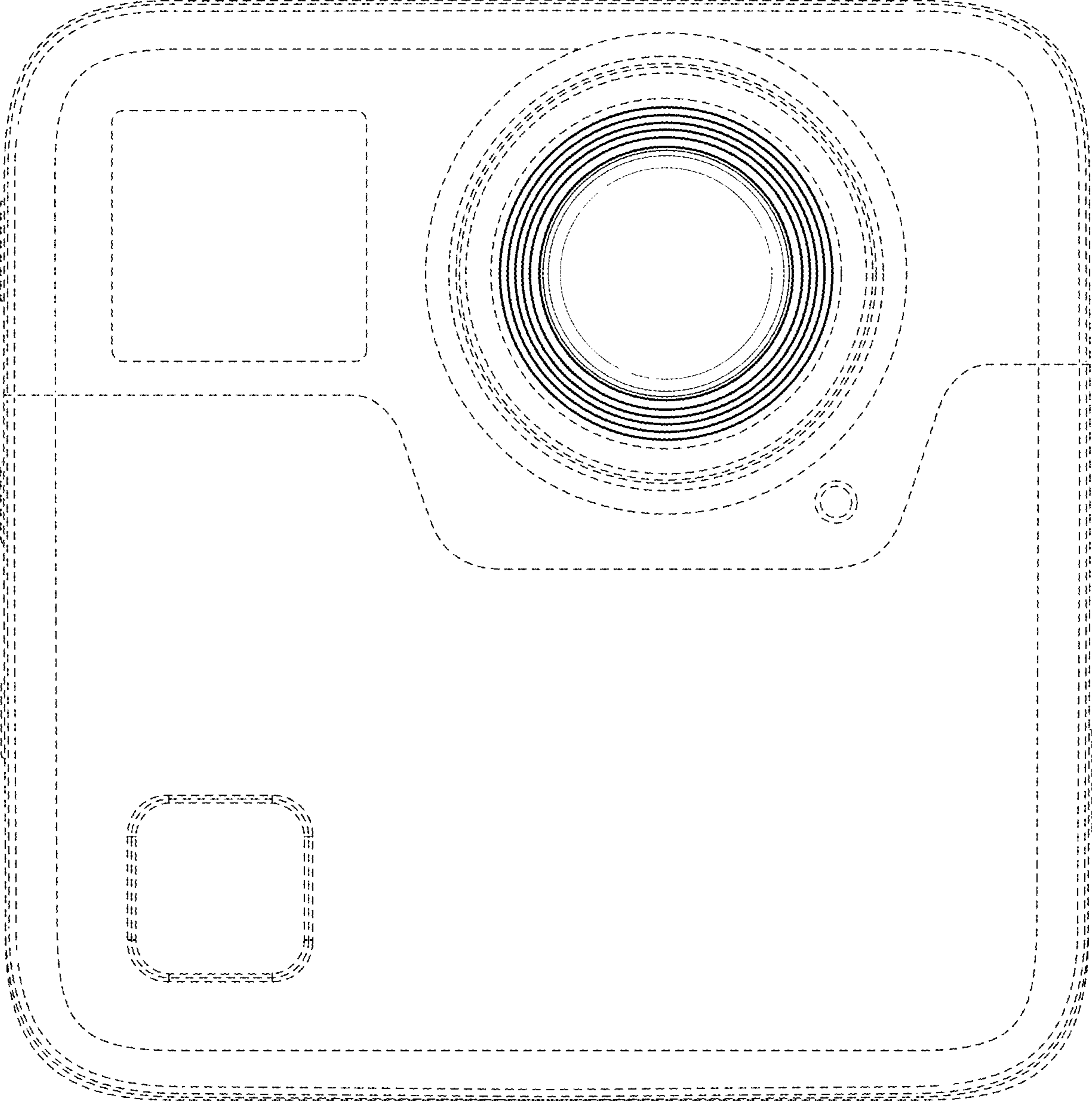


FIG. 2

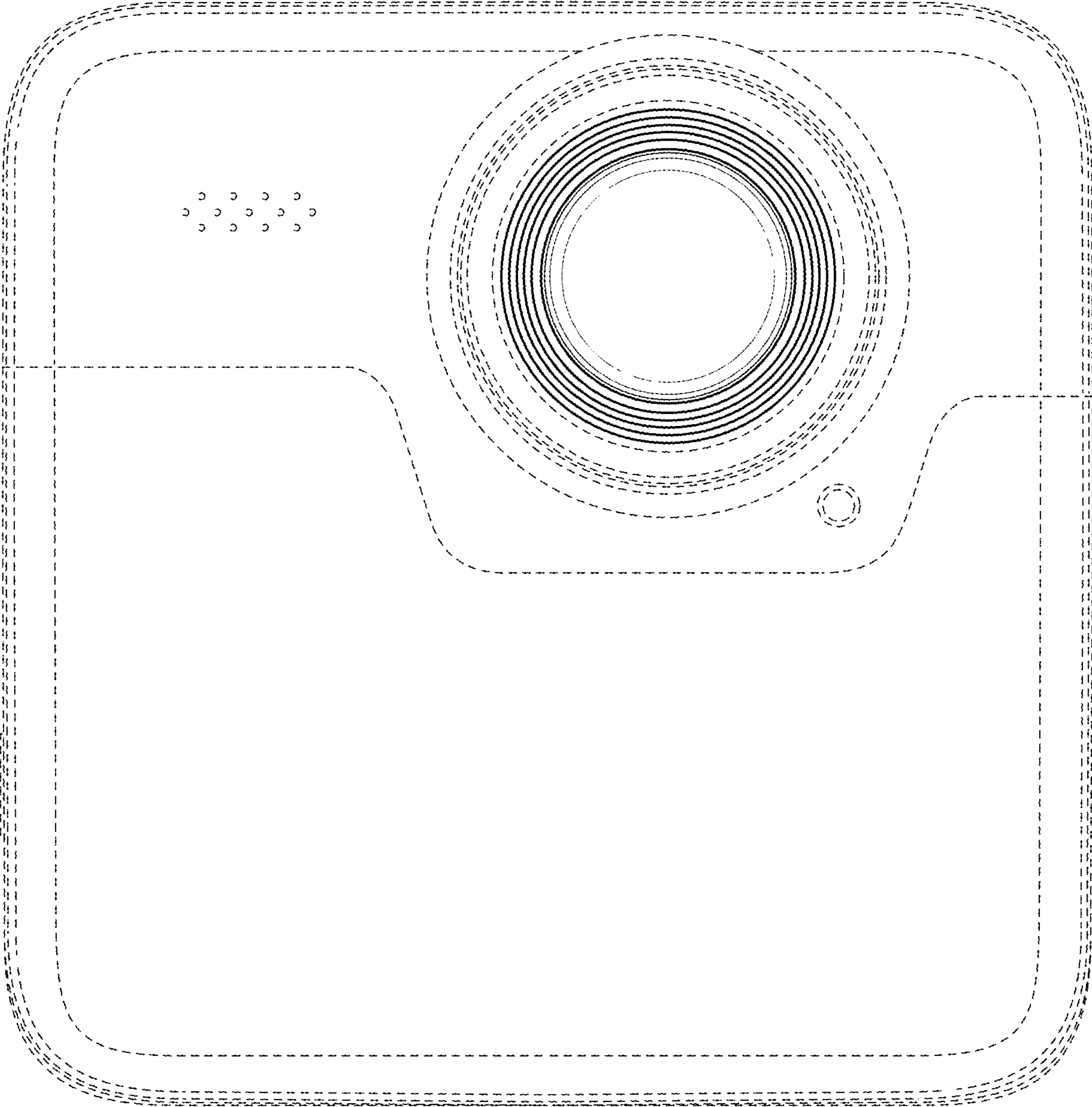


FIG. 3

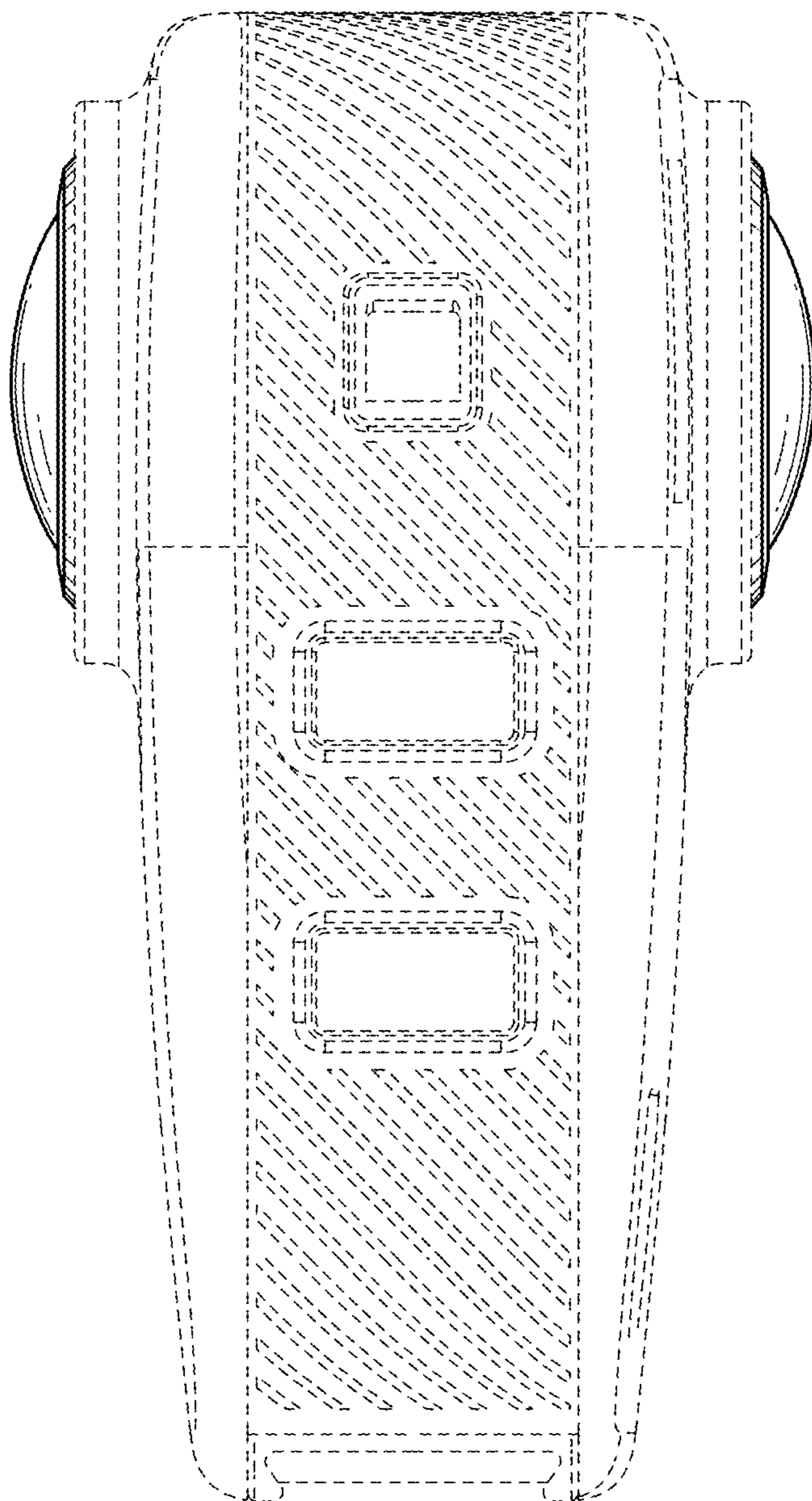


FIG. 4

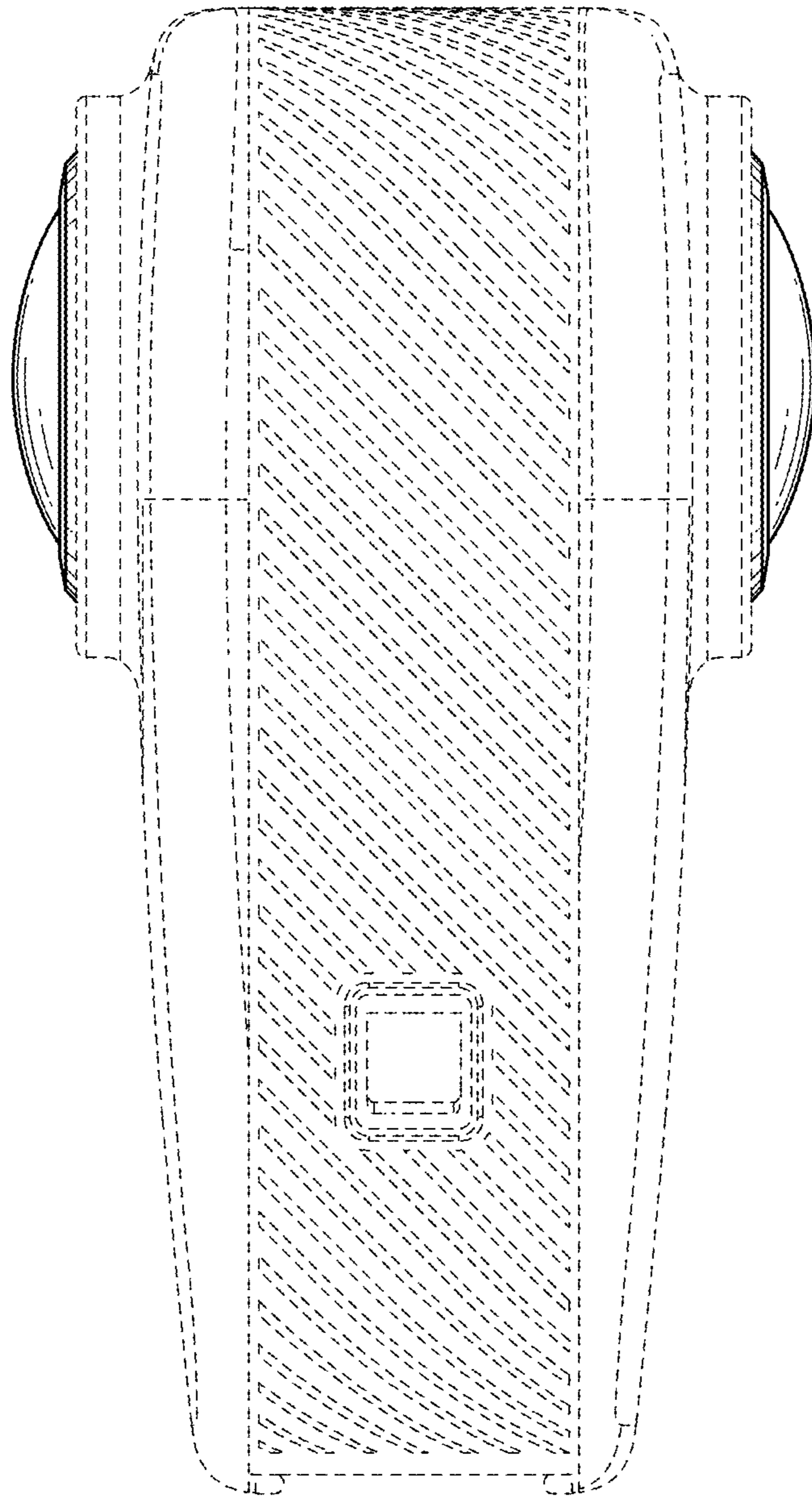


FIG. 5

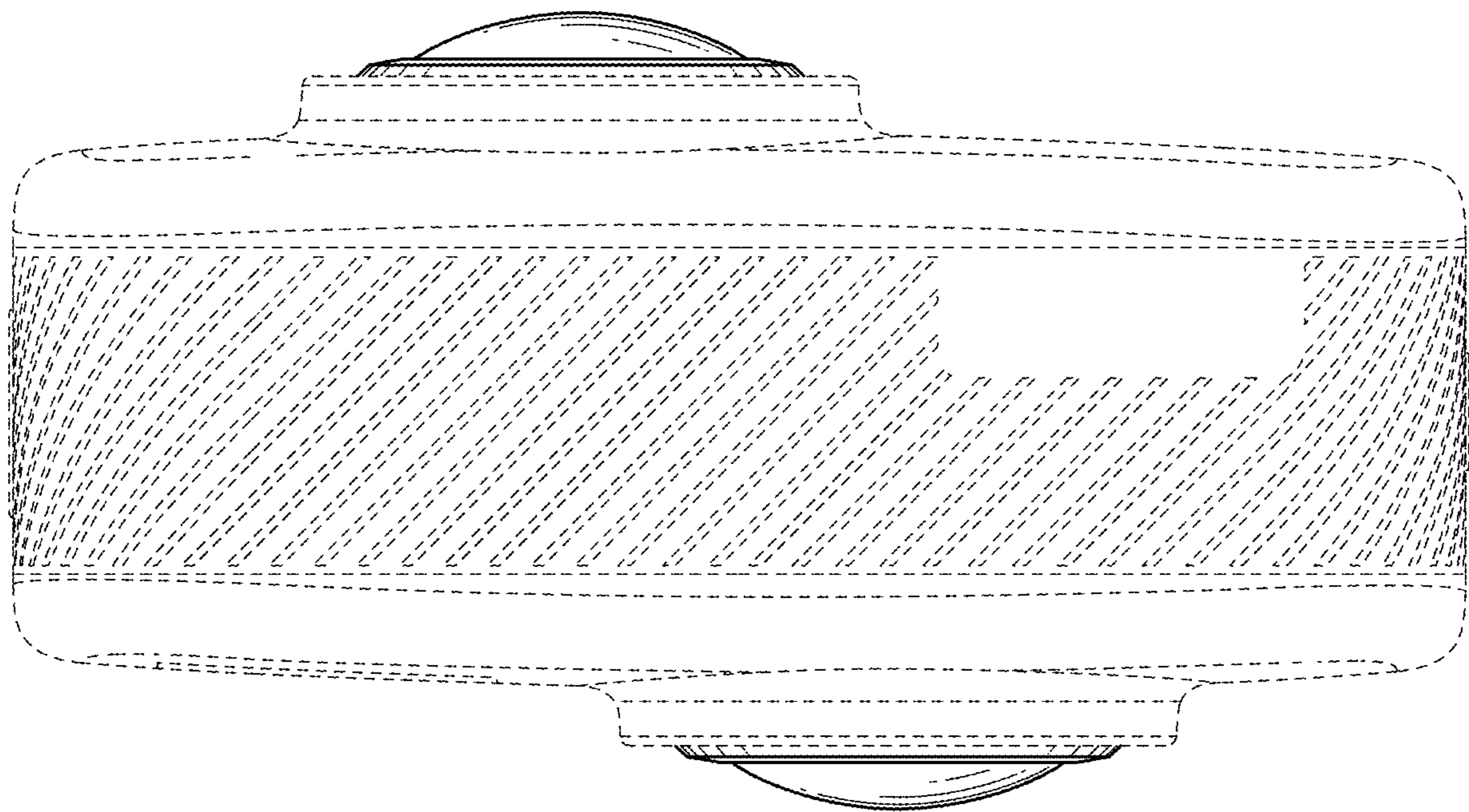


FIG. 6

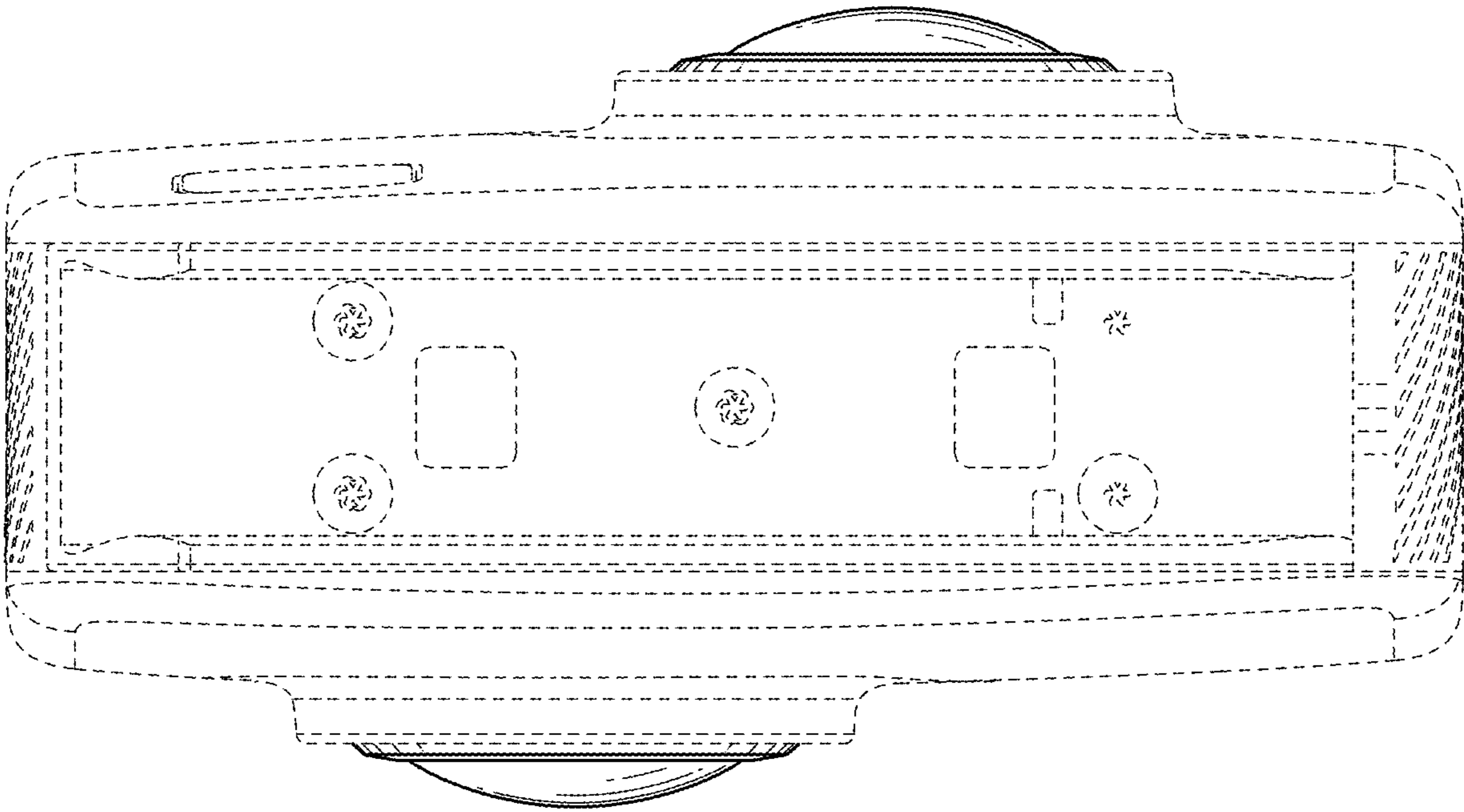


FIG. 7