



US00D900909S

(12) **United States Design Patent** (10) **Patent No.:** **US D900,909 S**
Wang et al. (45) **Date of Patent:** **** Nov. 3, 2020**

(54) **STABILIZED CAMERA DEVICE**
(71) Applicant: **SZ DJI Technology Co., Ltd.**,
Shenzhen (CN)
(72) Inventors: **Chenjie Wang**, Shenzhen (CN);
Baichuan He, Shenzhen (CN); **Min Kim**,
Shenzhen (CN); **Dengfeng Hu**,
Shenzhen (CN); **Xingchi Chen**,
Shenzhen (CN)

D617,821 S * 6/2010 Kaplan D16/202
9,458,963 B1 * 10/2016 Choi G01C 21/16
D780,825 S * 3/2017 Kim D10/103
D784,997 S * 4/2017 Cheng D14/447
D787,499 S 5/2017 Lee et al.
D791,760 S 7/2017 Kim
D794,606 S * 8/2017 Zheng D14/217
D795,946 S * 8/2017 Kim D16/206

(Continued)

FOREIGN PATENT DOCUMENTS

(73) Assignee: **SZ DJI Technology Co., Ltd.**,
Shenzhen (CN)

CN 303404116 S 10/2015
CN 303404133 S 10/2015

(Continued)

(**) Term: **15 Years**

Primary Examiner — Sandra Snapp
Assistant Examiner — Ieisha N Price

(21) Appl. No.: **29/717,851**

(74) *Attorney, Agent, or Firm* — Sterne, Kessler,
Goldstein & Fox P.L.L.C.

(22) Filed: **Dec. 19, 2019**

Related U.S. Application Data

(63) Continuation of application No. 29/655,000, filed on
Jun. 29, 2018, now Pat. No. Des. 874,539.

(51) **LOC (12) Cl.** **16-01**

(52) **U.S. Cl.**

USPC **D16/206**

(58) **Field of Classification Search**

USPC D16/200, 202, 203, 206, 207, 218
CPC H04N 7/18; H04N 7/183; H04N 5/2251;
H04N 5/2252; H04N 5/2258; G08B
13/19617; G08B 13/19619; G08B
13/1963; G08B 21/0247; G03B 17/561;
G03B 17/566; G03B 17/563; F16M
13/04; F16M 11/08; F16M 11/12; F16M
11/041; F16M 11/18; H04M 1/0235;
G01C 21/16

See application file for complete search history.

(56) **References Cited**

U.S. PATENT DOCUMENTS

D464,071 S 10/2002 Liu
D612,882 S * 3/2010 Kim D16/202

(57) **CLAIM**

The ornamental design for a stabilized camera device, as
shown and described.

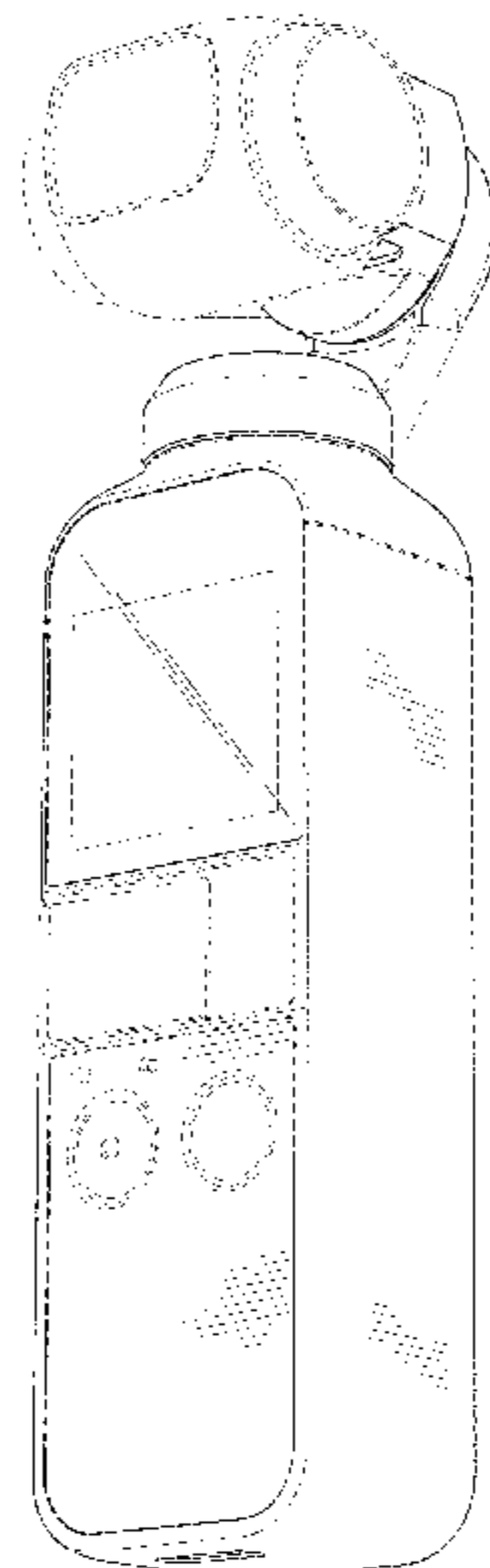
DESCRIPTION

FIG. 1 is a bottom front perspective view of a stabilized
camera device showing the claimed design;
FIG. 2 is a top rear perspective view thereof;
FIG. 3 is a front view thereof;
FIG. 4 is a rear view thereof;
FIG. 5 is a left side view thereof;
FIG. 6 is a right side view thereof;
FIG. 7 is a top view thereof; and,
FIG. 8 is a bottom view thereof.

The dashed broken lines in the figures show portions of the
stabilized camera device that form no part of the claimed
design.

The dot-dash broken lines in the figures show boundaries
that form no part of the claimed design.

1 Claim, 5 Drawing Sheets



US D900,909 S

(56)

References Cited

U.S. PATENT DOCUMENTS

D796,482 S * 9/2017 Zheng D14/217
 D799,448 S * 10/2017 Zheng D14/217
 D800,817 S 10/2017 Sutton et al.
 9,800,786 B1 * 10/2017 Wei G03B 17/563
 9,816,666 B2 11/2017 Wang et al.
 D808,454 S * 1/2018 Seflic D16/200
 D810,171 S * 2/2018 Kim D16/206
 D810,806 S * 2/2018 Kim D16/206
 D811,466 S * 2/2018 Zheng D16/219
 9,891,505 B1 * 2/2018 Wei G03B 17/561
 D814,545 S * 4/2018 Kim D16/206
 D815,180 S * 4/2018 Kim D16/206
 D824,882 S * 8/2018 Zheng D14/217
 D824,982 S 8/2018 Lee
 D836,699 S * 12/2018 Kim D16/206
 10,156,776 B1 12/2018 Wei
 D848,508 S 5/2019 Hsu
 D849,107 S 5/2019 Huang
 D849,497 S * 5/2019 Wang D8/71
 D857,786 S * 8/2019 Kim D16/243
 D860,170 S * 9/2019 Ding D14/217
 D863,411 S * 10/2019 Liao D16/243
 10,432,863 B2 * 10/2019 Appel F16M 11/123
 D866,647 S * 11/2019 Kim D16/243
 D868,877 S * 12/2019 Lin D16/243
 D874,532 S * 2/2020 Chen D16/202
 D874,539 S * 2/2020 Wang D16/206
 D875,155 S * 2/2020 Jeong D16/202
 2004/0209577 A1 10/2004 Park et al.
 2005/0162545 A1 7/2005 Jeon
 2008/0159733 A1 7/2008 Liang

2008/0205874 A1 8/2008 Chen
 2015/0071627 A1 3/2015 Hoang
 2015/0261070 A1* 9/2015 Feng G03B 17/561
 396/421
 2015/0362122 A1 12/2015 Brown
 2016/0381271 A1 12/2016 Cheng et al.
 2017/0064176 A1* 3/2017 Kim F16M 11/18
 2017/0230580 A1 8/2017 Ohara et al.
 2017/0241589 A1* 8/2017 Wang F16M 11/18
 2017/0272641 A1 9/2017 Helm et al.
 2017/0307136 A1* 10/2017 Wei G03B 17/561
 2018/0031951 A1* 2/2018 Wang G03B 17/561
 2019/0063668 A1* 2/2019 Wei G03B 17/561
 2019/0137852 A1* 5/2019 Li F16M 11/08
 2019/0214925 A1* 7/2019 Wei F16M 13/04
 2019/0215451 A1* 7/2019 Enke G08B 21/182

FOREIGN PATENT DOCUMENTS

CN 303739752 S 7/2016
 CN 303775714 S 8/2016
 CN 304014792 S 1/2017
 CN 304505328 S 2/2018
 CN 304546189 S 3/2018
 CN 304640037 5/2018
 CN 304642406 5/2018
 CN 304672544 S 6/2018
 CN 304934011 12/2018
 EM 005331790-0001 1/2010
 EM 003071240-0001 4/2016
 EM 005331790-0002 1/2019
 EM 006877163-0001 10/2019
 JP D1559463 S 9/2016

* cited by examiner

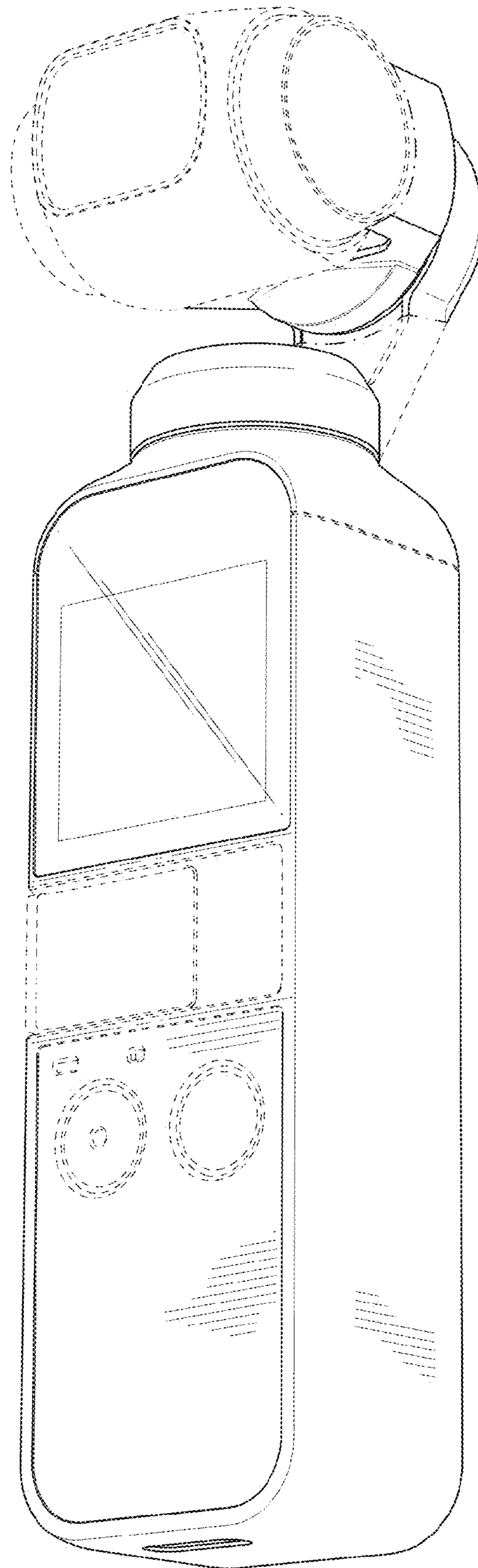


FIG. 1

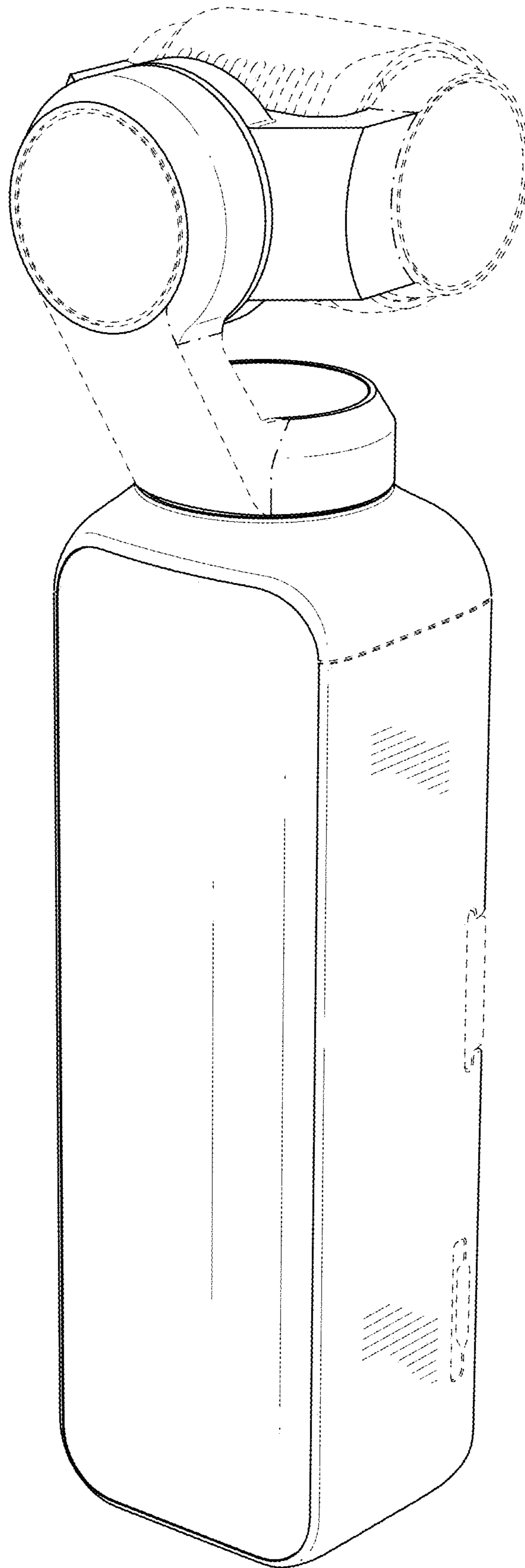


FIG. 2

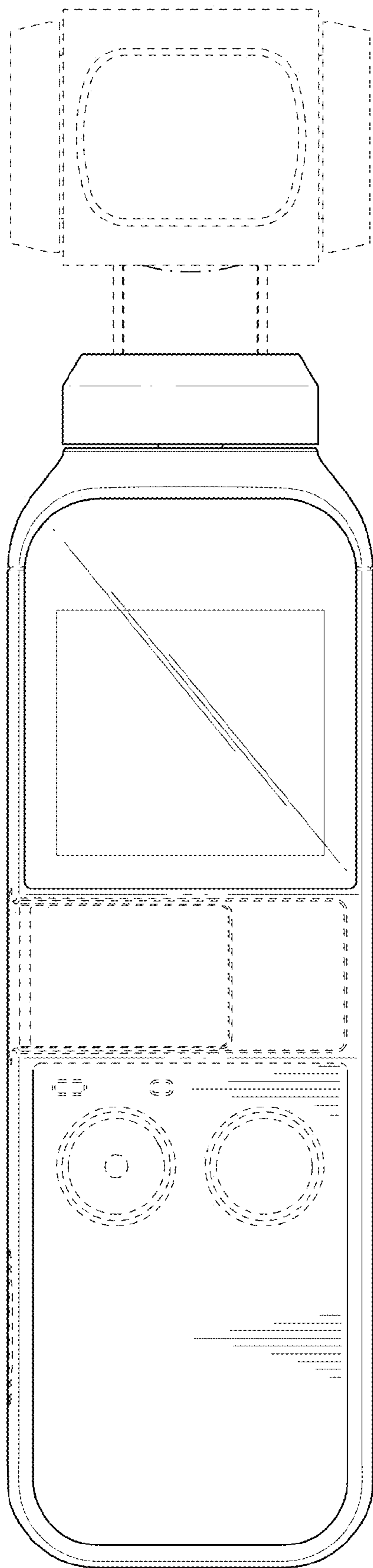


FIG. 3

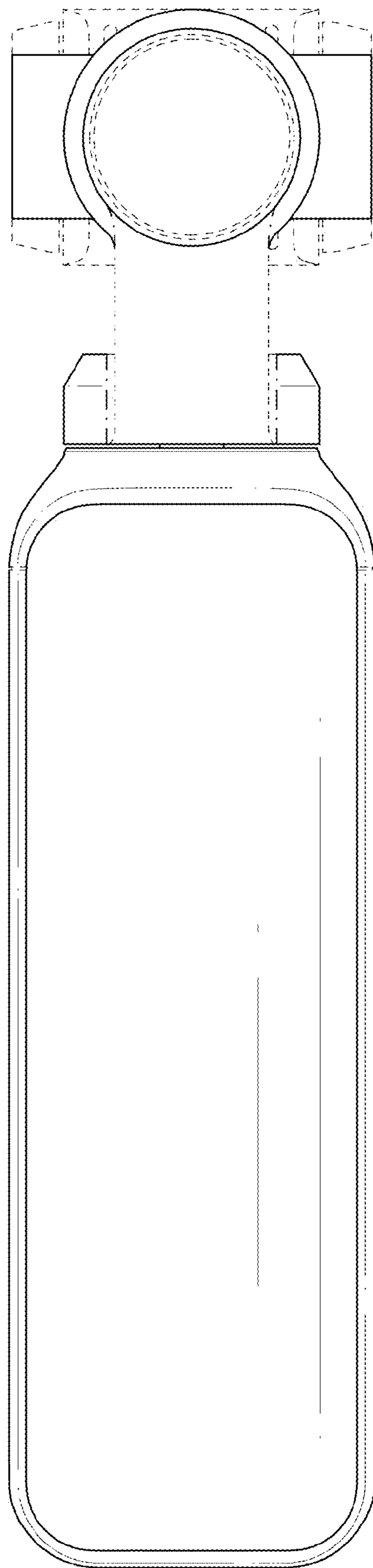


FIG. 4

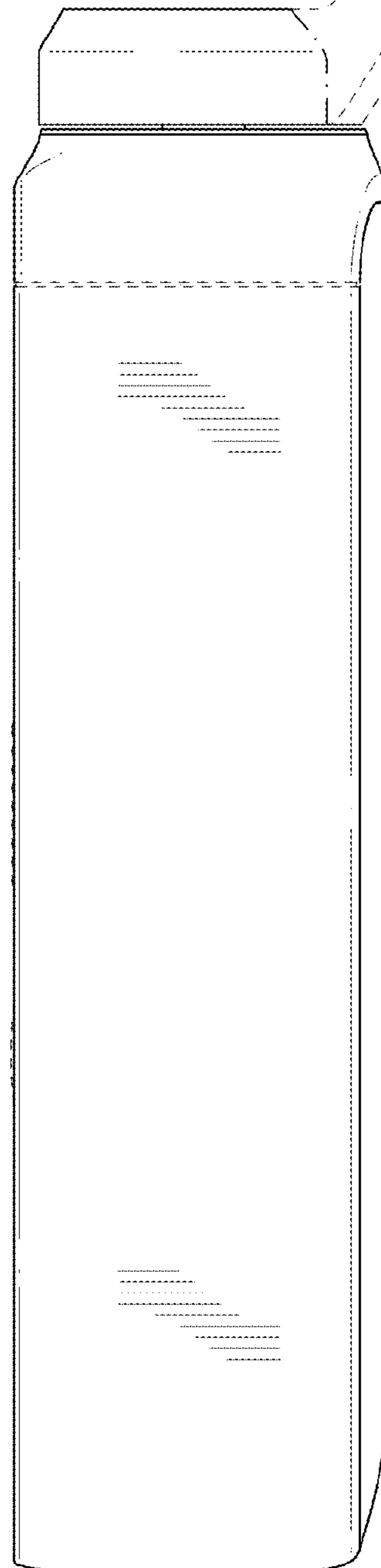
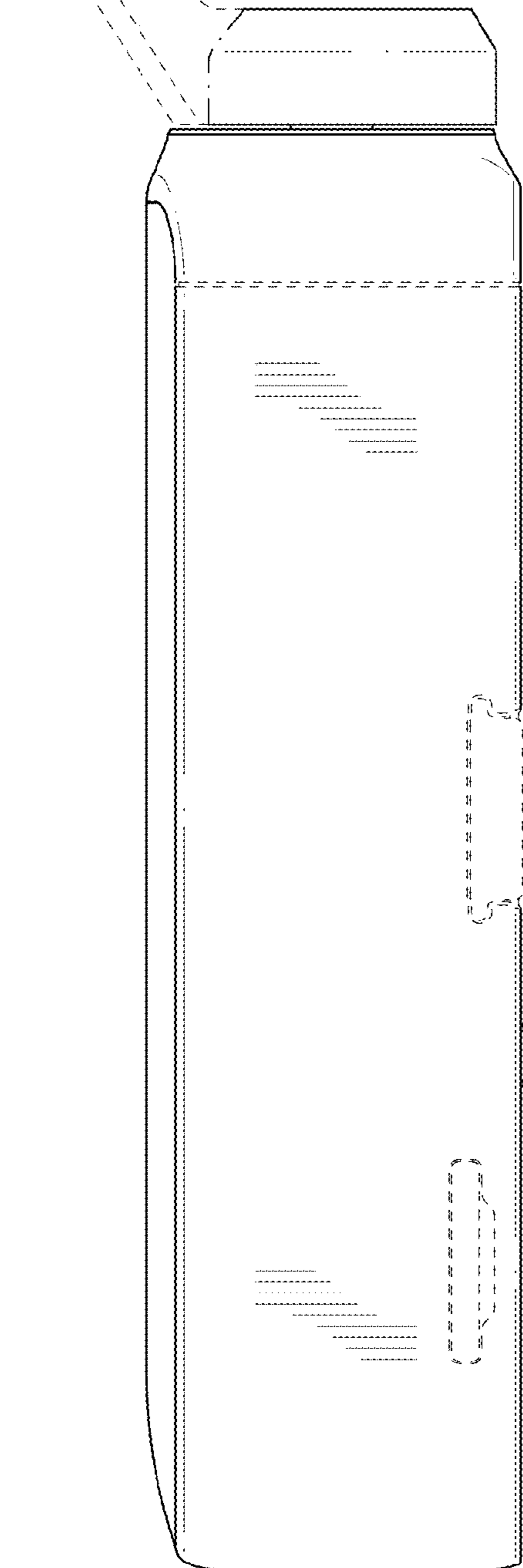
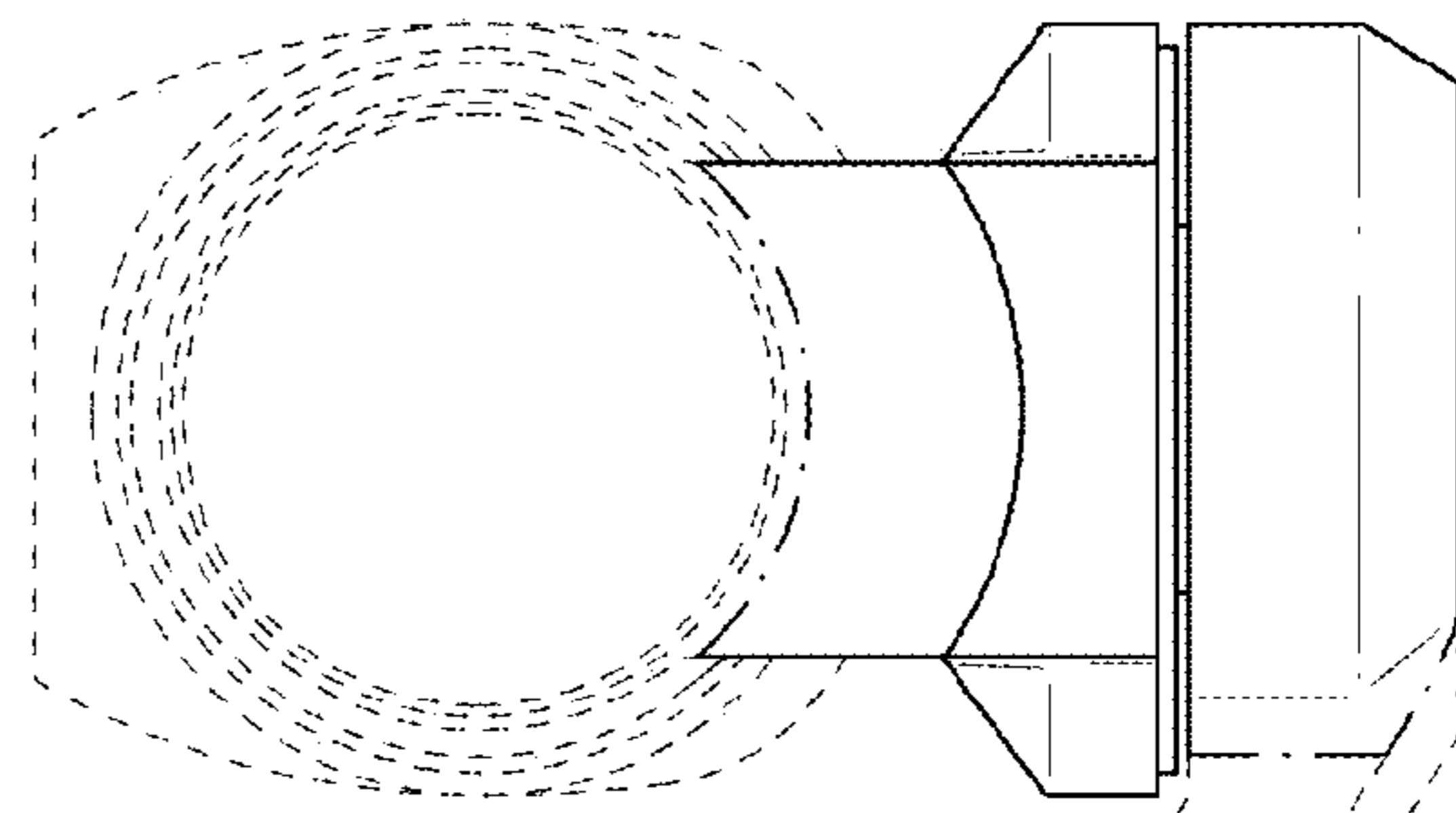
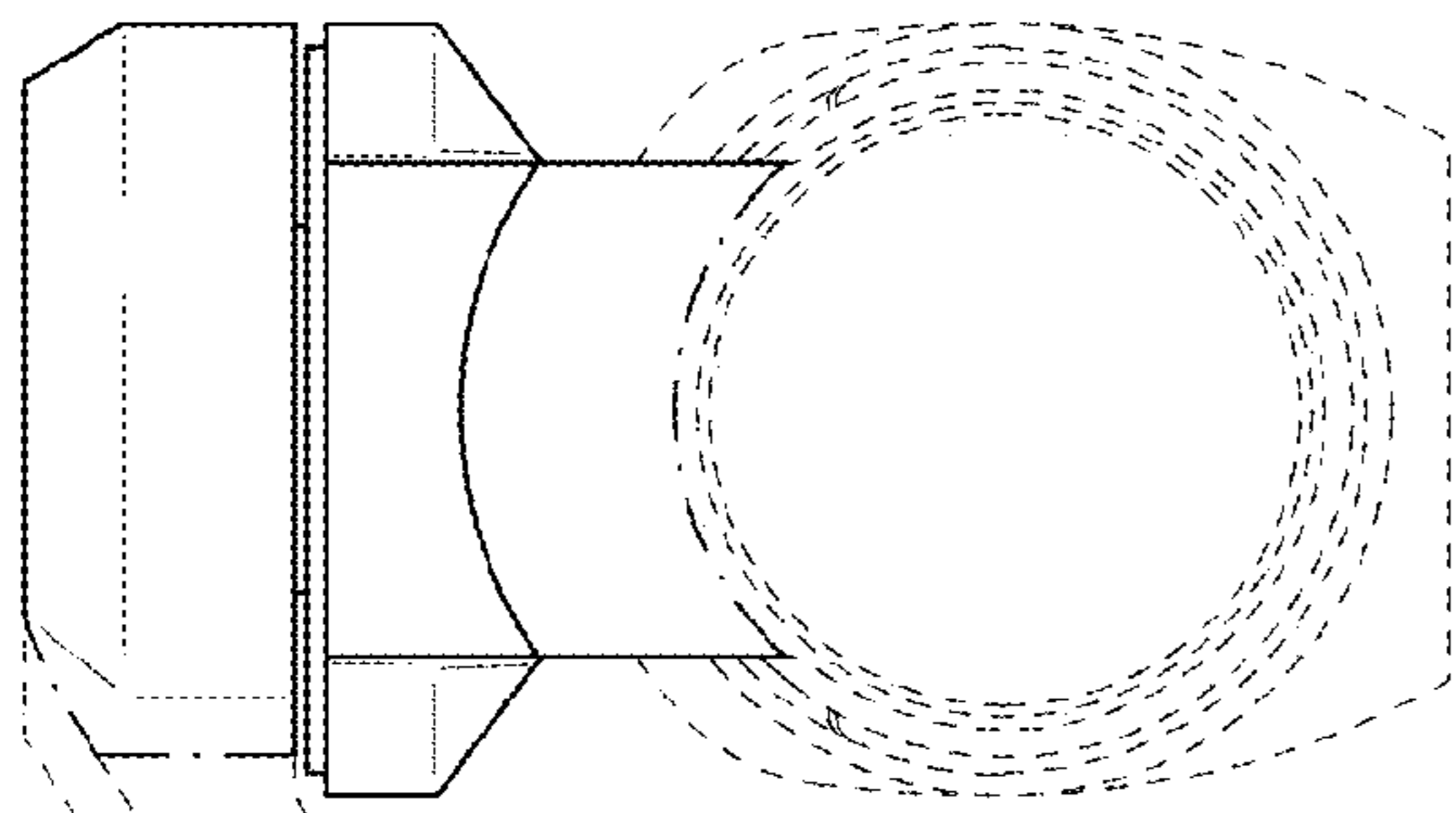


FIG. 5

FIG. 6

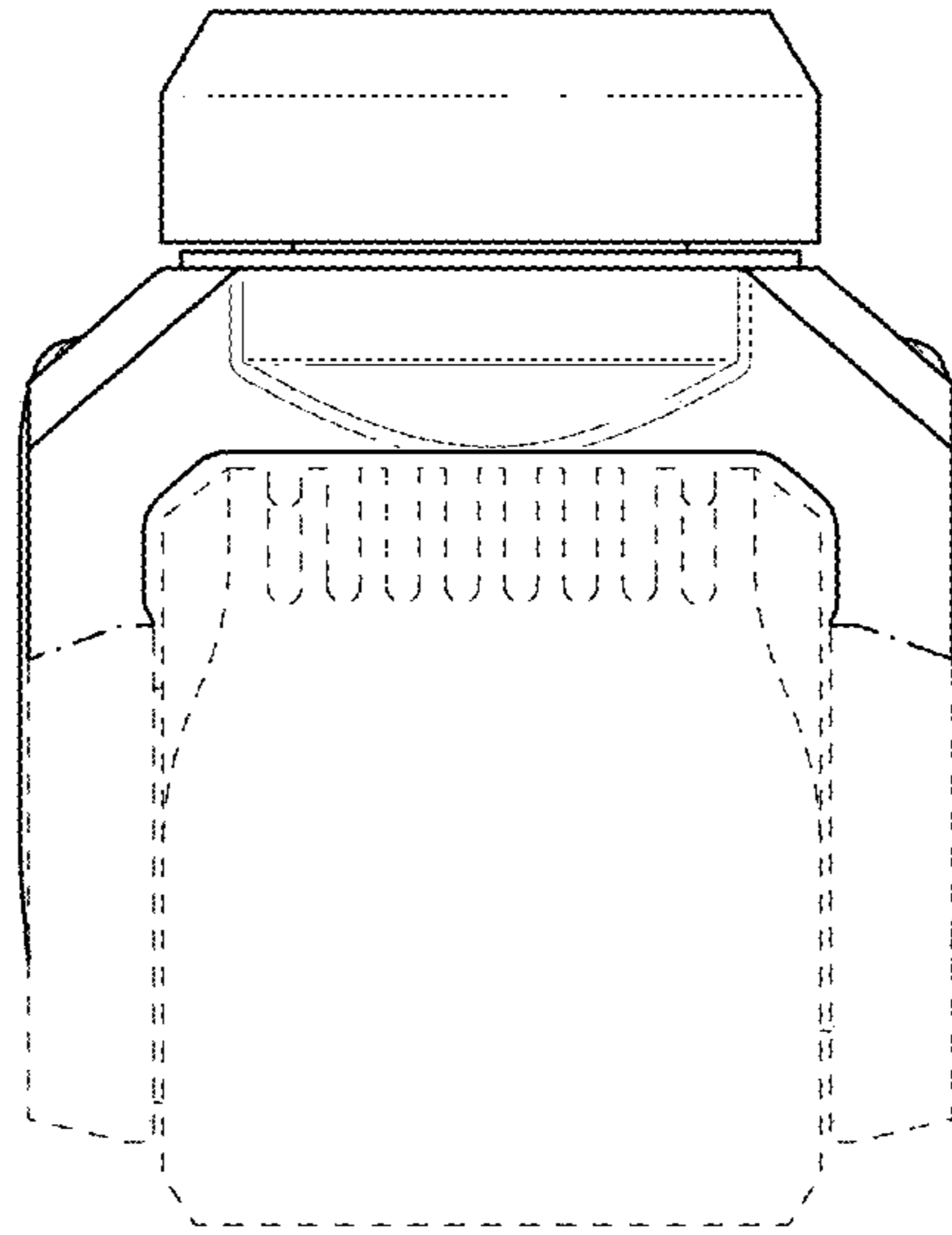


FIG. 7

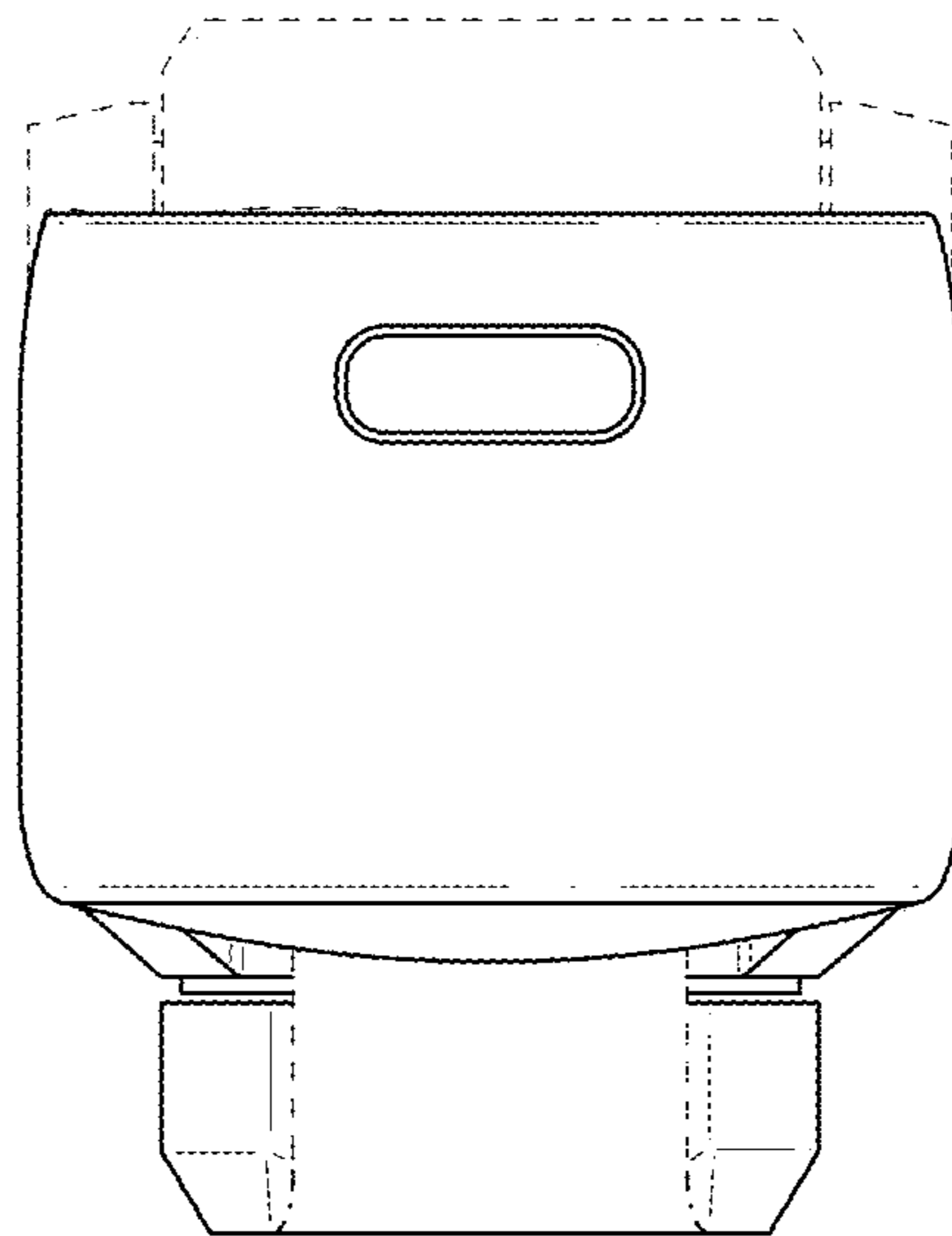


FIG. 8