



US00D900906S

(12) **United States Design Patent** (10) **Patent No.:** **US D900,906 S**
Overfelt et al. (45) **Date of Patent:** **** Nov. 3, 2020**

(54) **BINOCULAR MOUNT**
(71) Applicant: **BUSHNELL INC.**, Overland Park, KS (US)
(72) Inventors: **Travis C. Overfelt**, Lee's Summit, MO (US); **Chad N. Van Brunt**, Olathe, KS (US)
(73) Assignee: **BUSHNELL INC.**, Overland Park, KS (US)

D612,497 S * 3/2010 Berci D16/130
D638,089 S * 5/2011 Ding D22/109
8,817,178 B2 * 8/2014 Baker H04N 5/2253
248/187.1
D726,796 S * 4/2015 O'Neill D16/134
D806,823 S * 1/2018 Bengtsson D22/110
9,921,029 B2 * 3/2018 Roberts F41G 11/003
D837,929 S * 1/2019 Wright D22/110
10,288,378 B2 * 5/2019 Minor F41G 11/003
D878,510 S * 3/2020 Chavez D22/109
2009/0133311 A1 * 5/2009 Hollenbach F41G 11/001
42/124
2011/0247255 A1 * 10/2011 Ding F41G 11/003
42/90

(**) Term: **15 Years**

* cited by examiner

(21) Appl. No.: **29/669,945**
(22) Filed: **Nov. 13, 2018**
(51) **LOC (12) Cl.** **16-06**
(52) **U.S. Cl.**
USPC **D16/136**
(58) **Field of Classification Search**
USPC D16/132, 130, 133, 136, 330, 134;
D22/108-110, 199
CPC F41B 5/14; F41B 5/00; F41C 27/00; F41C
23/14; F41C 23/06; F41C 3/00; F41C
7/00; F41C 23/20; F41C 23/08; F41C
23/10; F41G 11/003; F41G 1/18; F41G
1/38; F41G 1/545
See application file for complete search history.

Primary Examiner — Mark A Goodwin
Assistant Examiner — Benjamin M Weeks
(74) *Attorney, Agent, or Firm* — Walter M. Egbert, III;
Gerard M. Donovan; Reed Smith LLP

(57) **CLAIM**

The ornamental design for a binocular mount, as shown and described.

DESCRIPTION

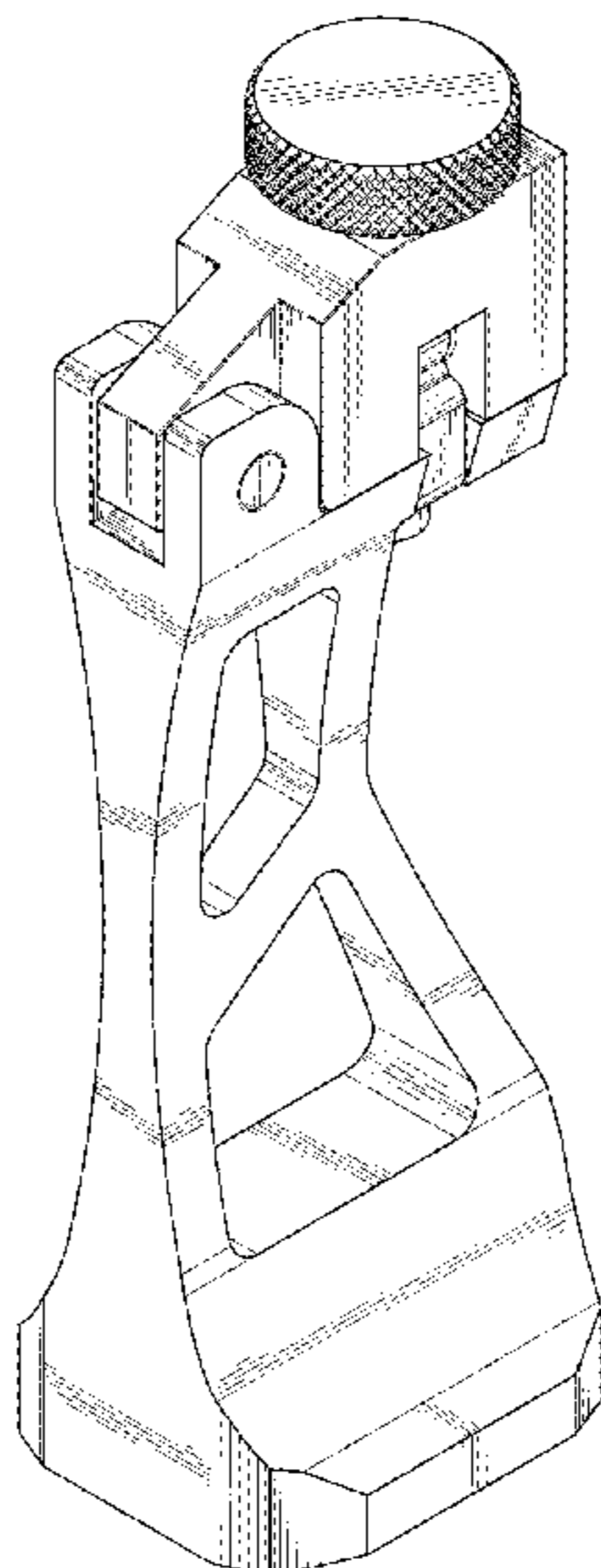
FIG. 1 is a right side isometric view of a binocular mount showing our new design;
FIG. 2 is a left side isometric view thereof;
FIG. 3 is a front, bottom-left side isometric view thereof;
FIG. 4 is a left side isometric view with the binocular mount pivoted upward;
FIG. 5 is a front, bottom-left side isometric view with the binocular mount pivoted upward;
FIG. 6 is a front elevation view thereof;
FIG. 7 is a rear elevation view thereof;
FIG. 8 is a left side elevation view thereof;
FIG. 9 is a right side elevation view thereof;
FIG. 10 is a top plan view thereof; and,
FIG. 11 is a bottom plan view.

(56) **References Cited**

U.S. PATENT DOCUMENTS

D275,766 S * 10/1984 Suzuki D16/101
D295,871 S * 5/1988 Charles D16/130
D332,458 S * 1/1993 Moore D16/136
D352,049 S * 11/1994 Burr D16/130
5,437,427 A * 8/1995 Johnson F16M 11/10
248/286.1
D454,899 S * 3/2002 Hedrick D16/132
D527,756 S * 9/2006 Parker D16/130
D552,645 S * 10/2007 Yip D16/136
D608,771 S * 1/2010 Hsu D14/239

1 Claim, 8 Drawing Sheets



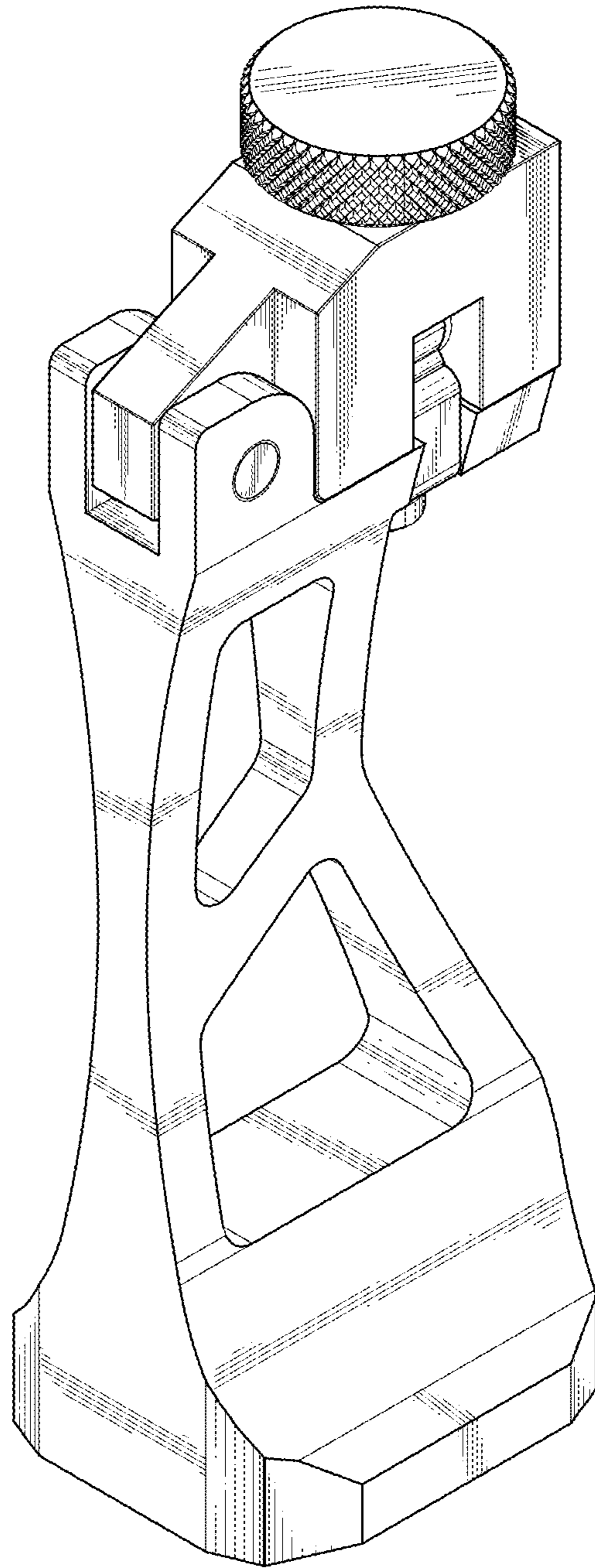


FIG. 1

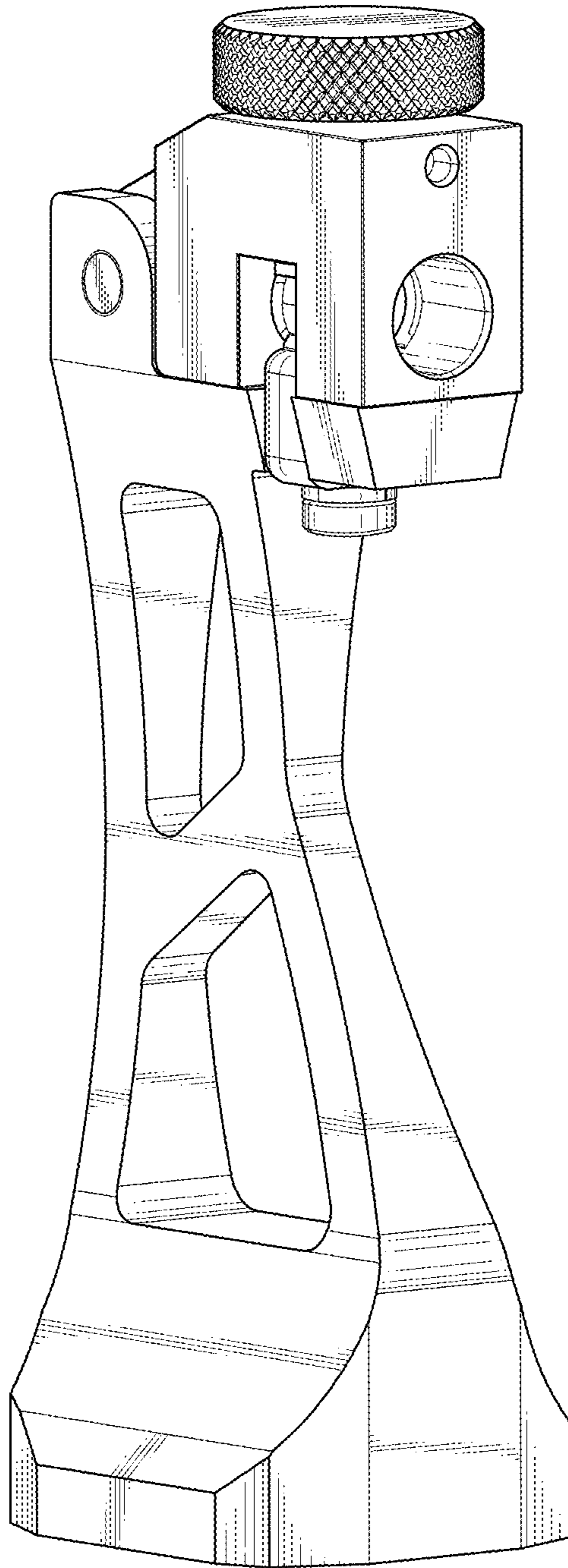


FIG. 2

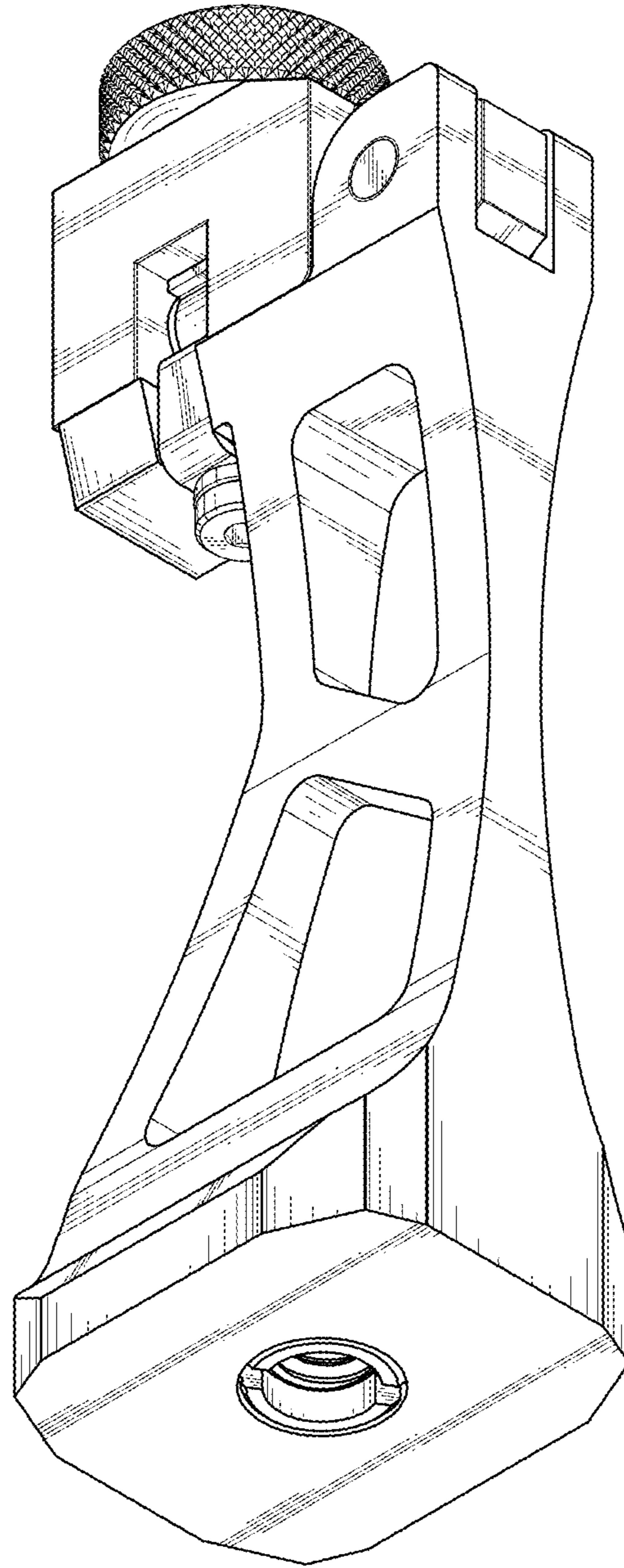


FIG. 3

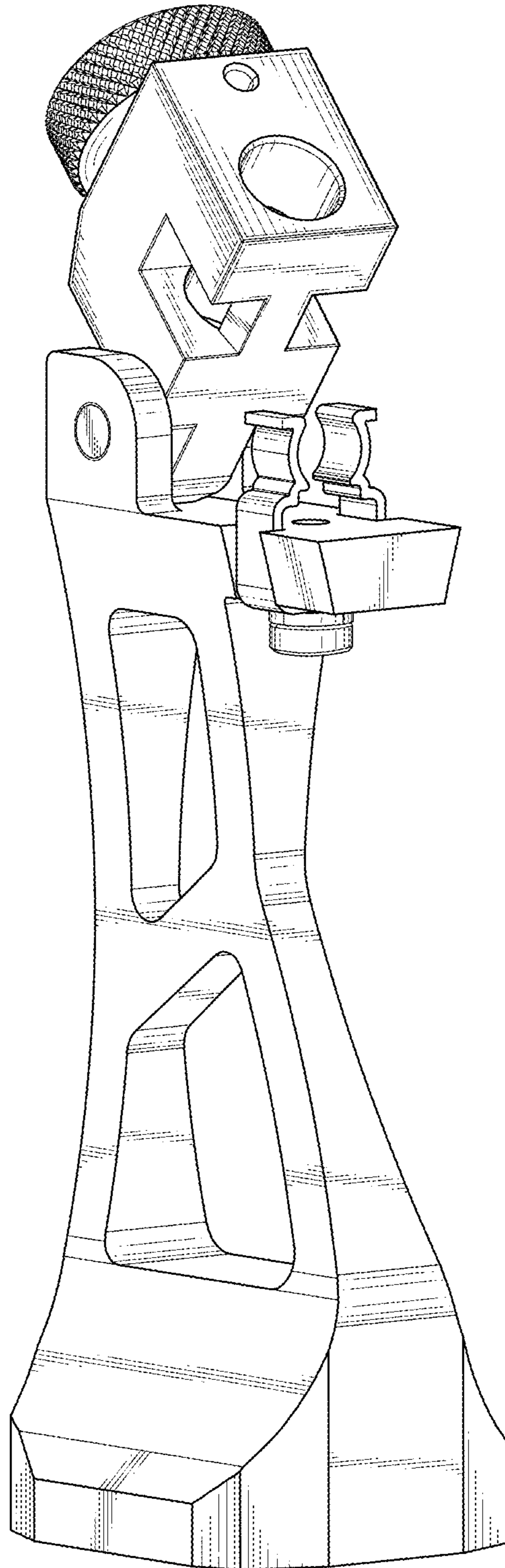


FIG. 4

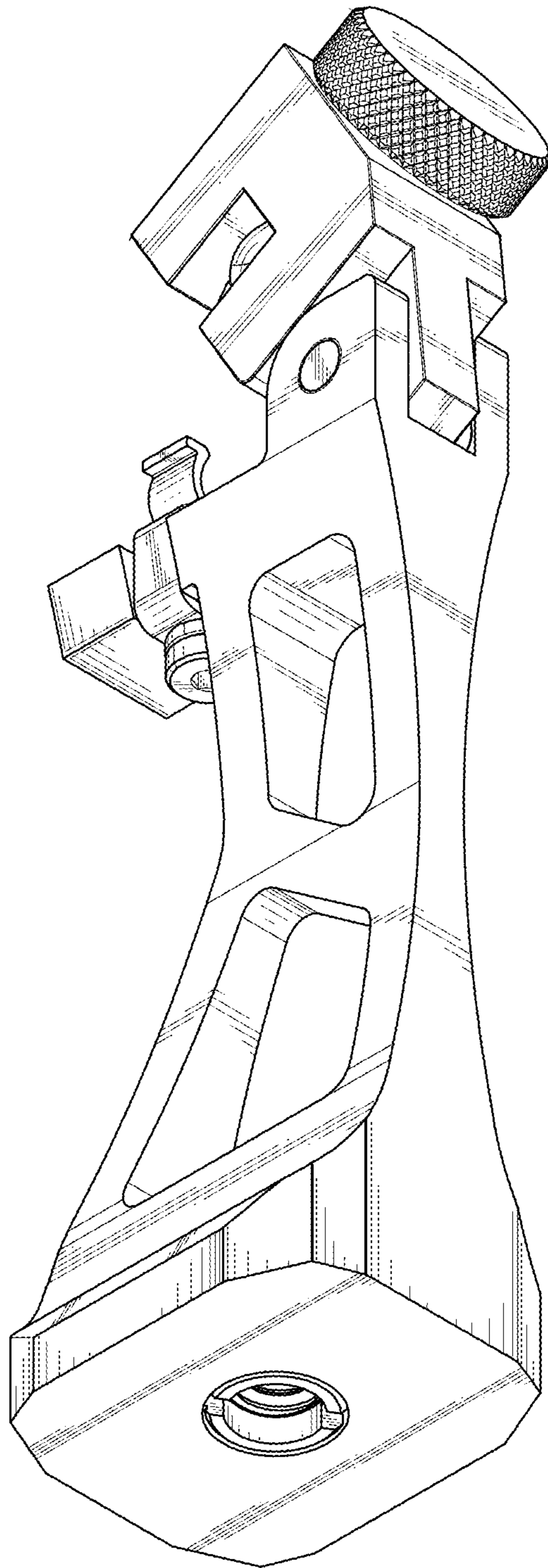


FIG. 5

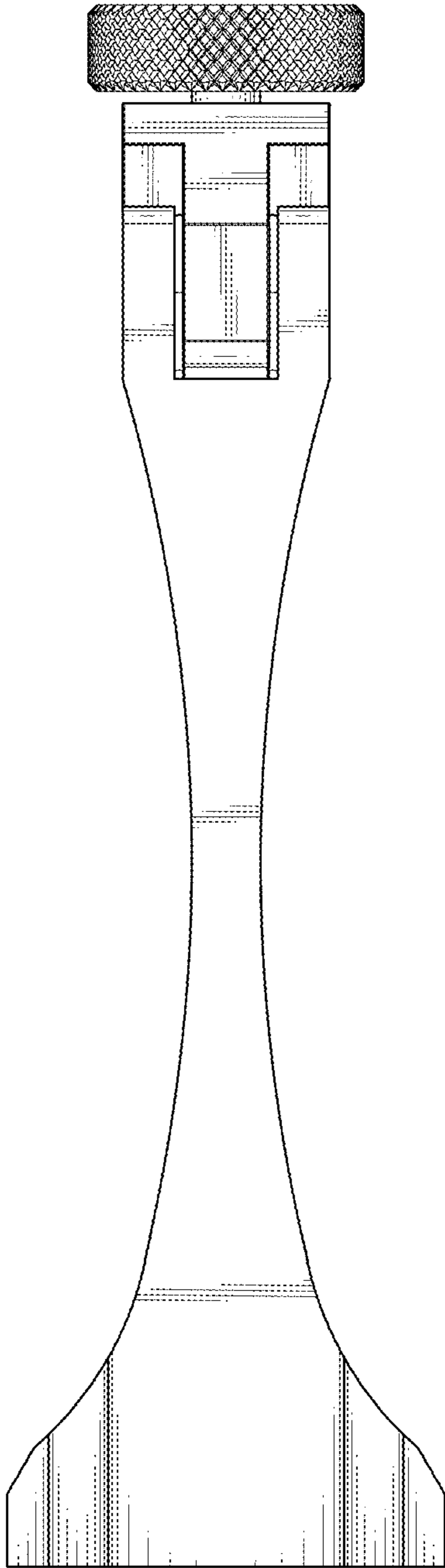


FIG. 6

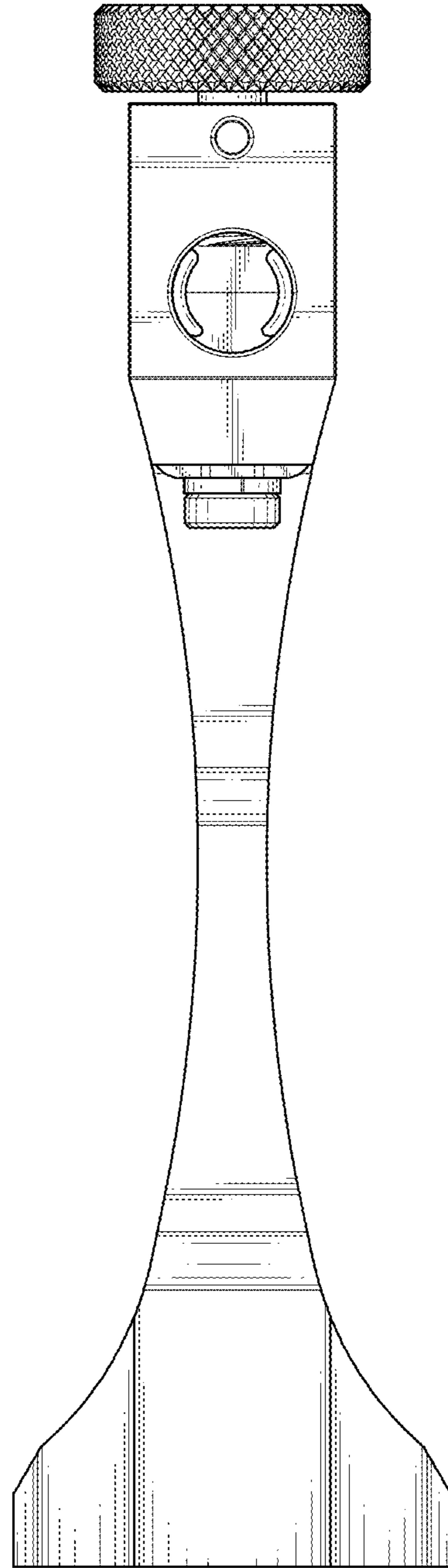


FIG. 7

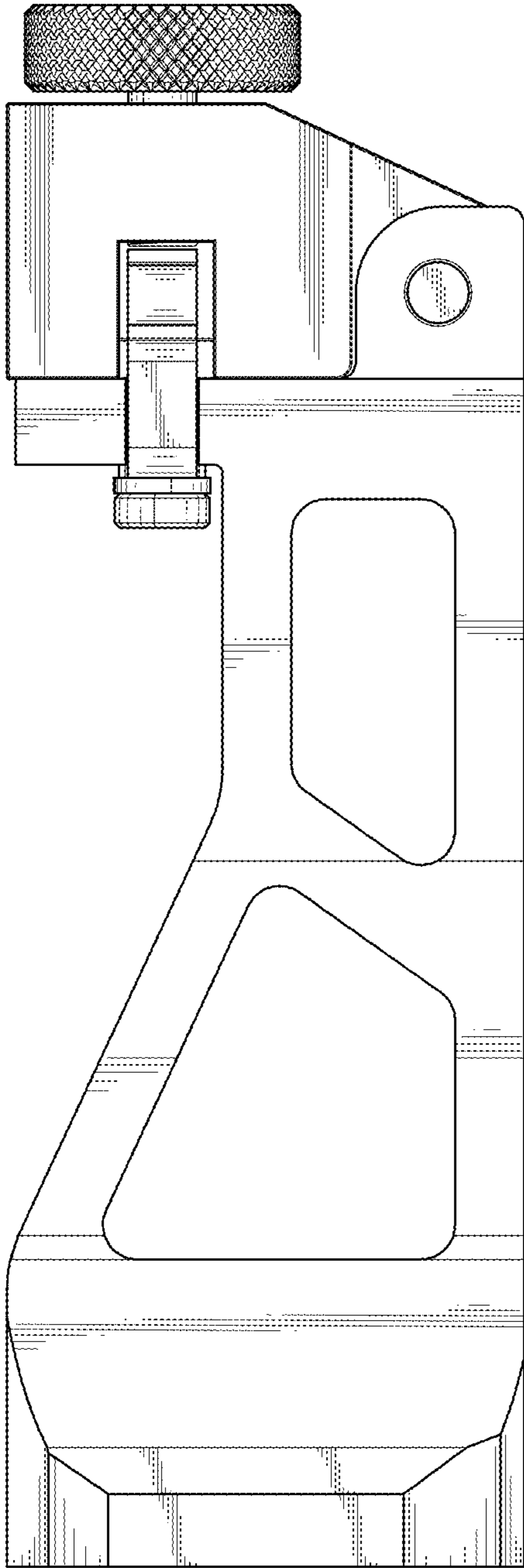


FIG. 8

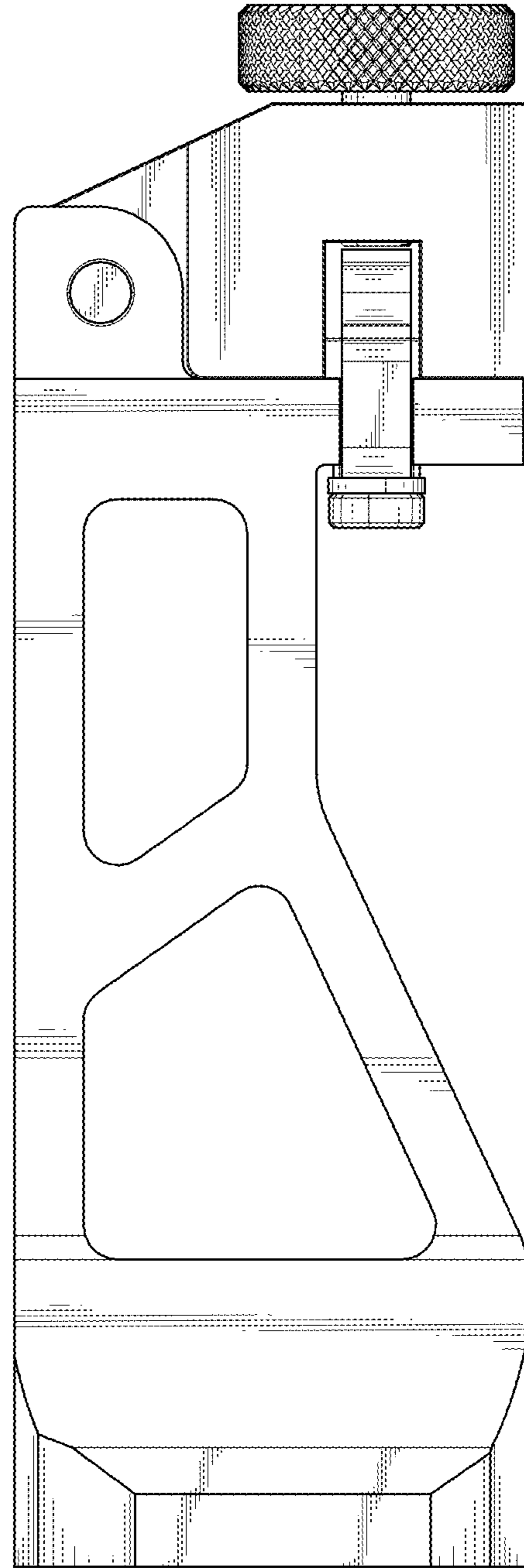


FIG. 9

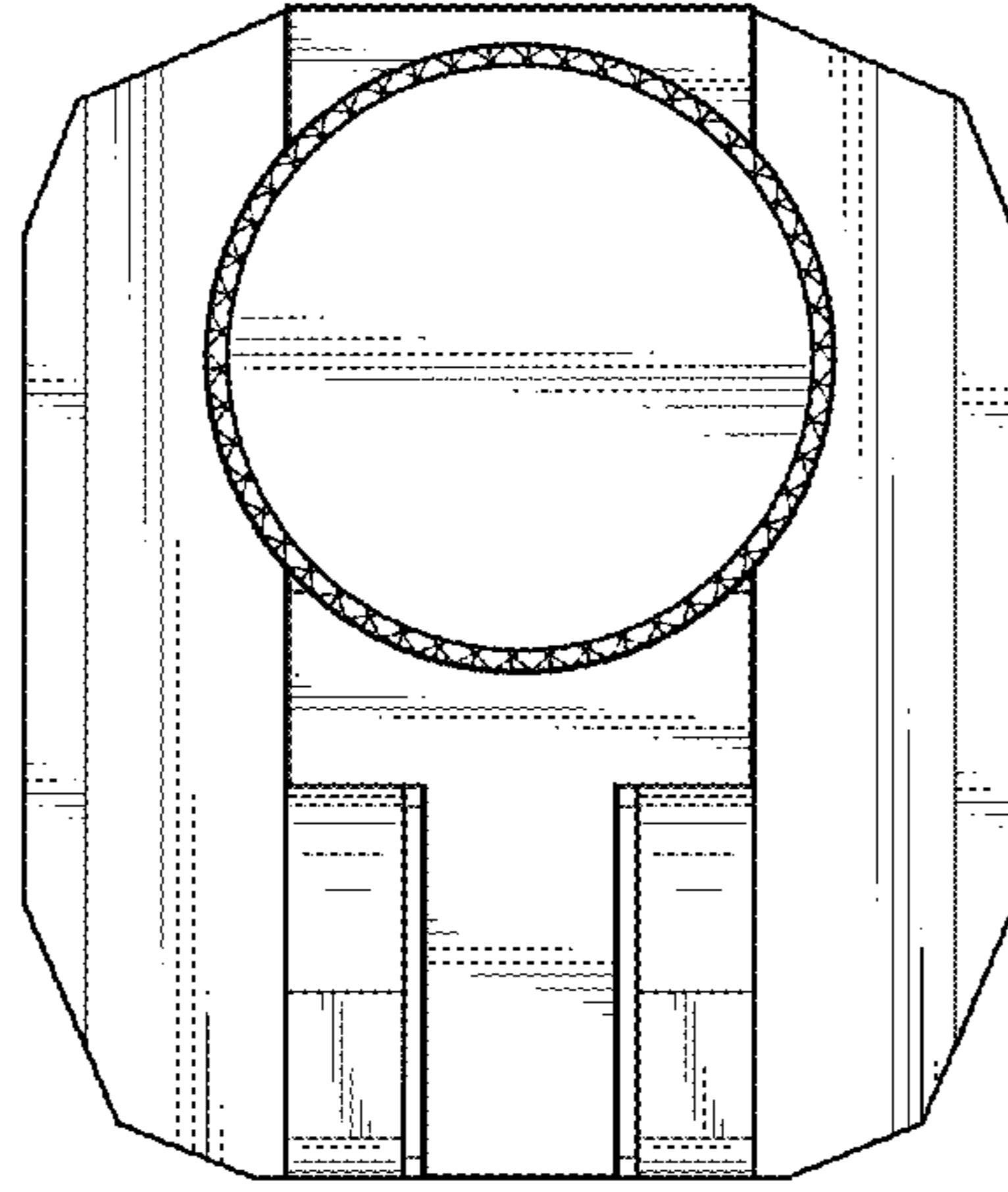


FIG. 10

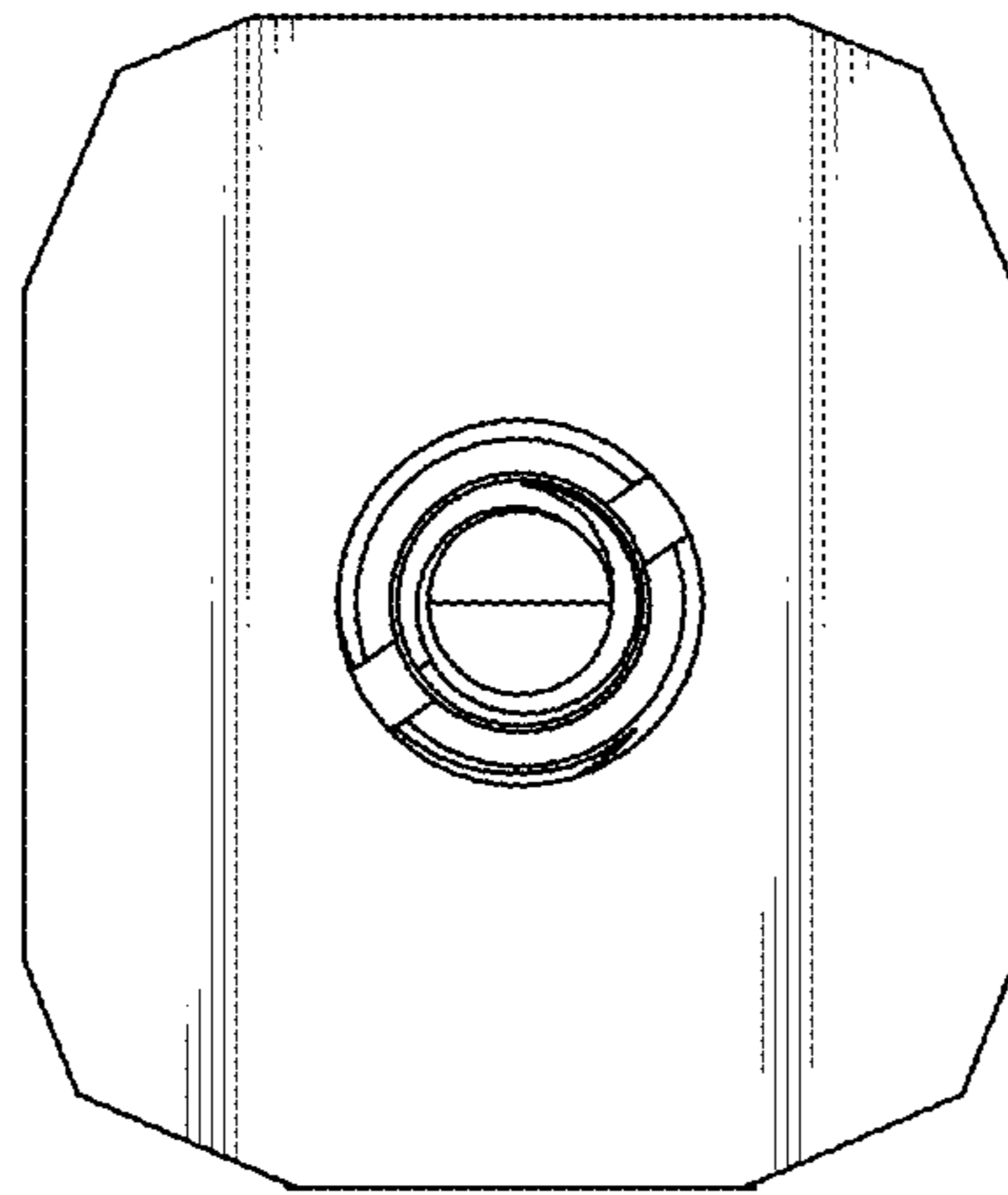


FIG. 11