



US00D900900S

(12) **United States Design Patent**
Pospisil et al.

(10) **Patent No.:** **US D900,900 S**

(45) **Date of Patent:** **** Nov. 3, 2020**

(54) **HAND-HELD SENSOR**

2223/003; H01H 2223/004; H01H
2223/006; H01H 2223/04

(71) Applicant: **MTM ROBOTICS LLC**, Mukilteo,
WA (US)

See application file for complete search history.

(72) Inventors: **Eric Pospisil**, Mukilteo, WA (US);
Manny Leyden, Mukilteo, WA (US);
Michael Gary Woogerd, Mukilteo, WA
(US); **Chace Howard Fadlovich**,
Mukilteo, WA (US)

(56) **References Cited**

U.S. PATENT DOCUMENTS

6,134,102	A *	10/2000	Worn	B25J 9/1656
					361/679.09
7,298,385	B2 *	11/2007	Kazi	B25J 9/1671
					345/633
7,864,158	B1 *	1/2011	McGeever	G06F 3/04892
					345/158
9,586,324	B2 *	3/2017	Som	G01B 11/03
9,597,807	B2 *	3/2017	Wu	B25J 13/006
D878,440	S *	3/2020	Dosho	G01B 11/03
					D15/199
10,599,995	B2 *	3/2020	Tanaka	B25J 13/02

(73) Assignee: **MTM Robotics, LLC**, Mukilteo, WA
(US)

(**) Term: **15 Years**

* cited by examiner

(21) Appl. No.: **29/680,584**

(22) Filed: **Feb. 18, 2019**

Primary Examiner — Antoine Duval Davis

(51) **LOC (12) Cl.** **15-99**

(52) **U.S. Cl.**
USPC **D15/199**; D10/49; D13/168

(74) *Attorney, Agent, or Firm* — FisherBroyles LLP;
Kevin D. Jablonski

(58) **Field of Classification Search**
USPC D10/49, 78; D13/168; D14/341;
D15/199

(57) **CLAIM**

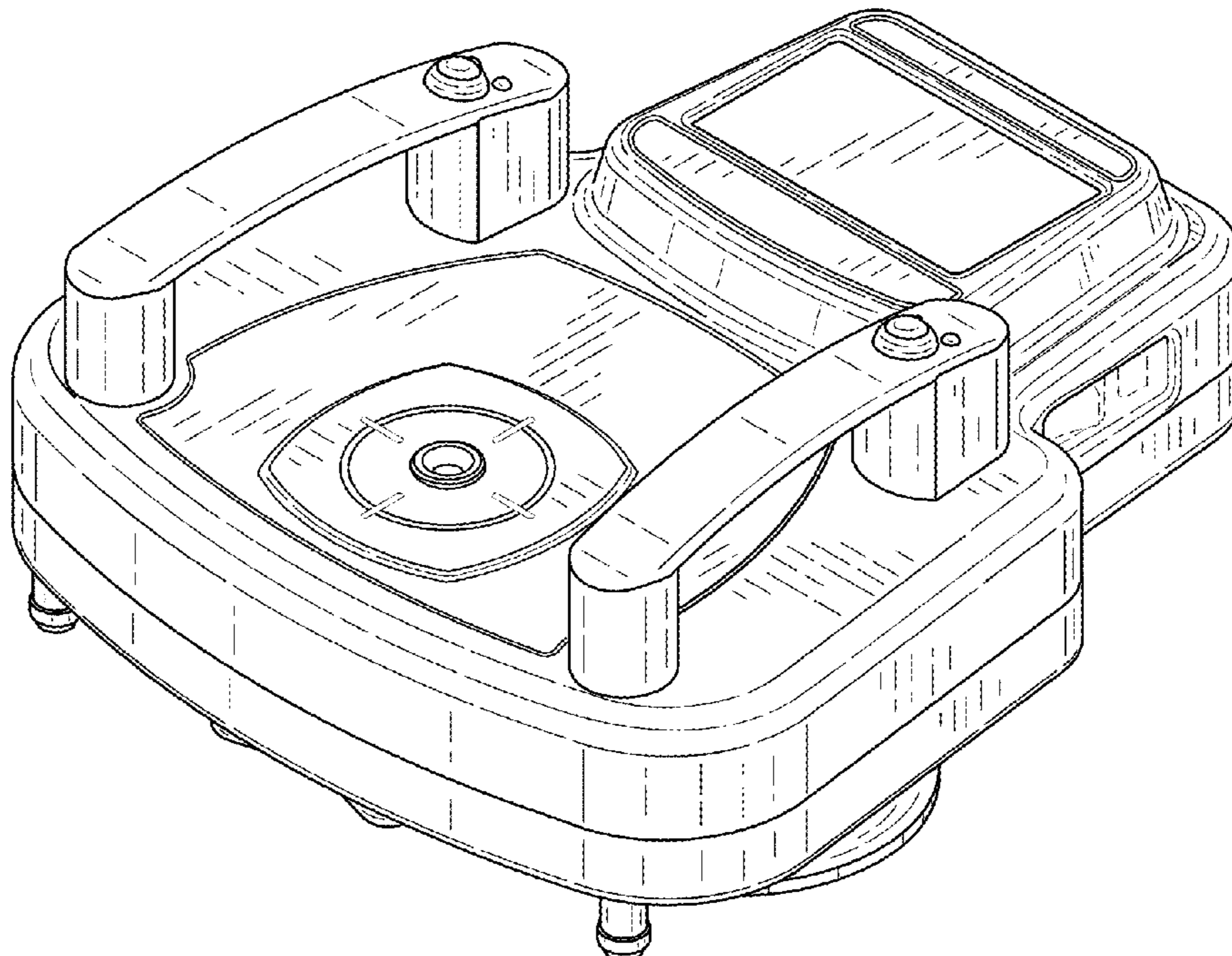
The ornamental design for a hand-held sensor, as shown.

CPC A63B 2047/022; A63B 2102/16; B25J
9/1633; B25J 9/1674; B25J 13/06; G05B
2219/41114; G05B 9/409; G05B
2219/36162; G05B 2219/39443; G05B
2219/39446; H01H 2223/008; H01H
2223/01; H01H 2223/012; H01H
2223/014; H01H 2223/016; H01H
2223/018; H01H 2223/02; H01H
2223/022; H01H 2223/024; H01H
2223/026; H01H 2223/028; H01H
2223/00; H01H 2223/002; H01H

DESCRIPTION

FIG. 1 is an isometric view of the hand-held sensor;
FIG. 2 is a top view thereof;
FIG. 3 is a bottom view thereof;
FIG. 4 is a front view thereof;
FIG. 5 is a back front view thereof;
FIG. 6 is a right side view thereof; and,
FIG. 7 is a left side view thereof.

1 Claim, 7 Drawing Sheets



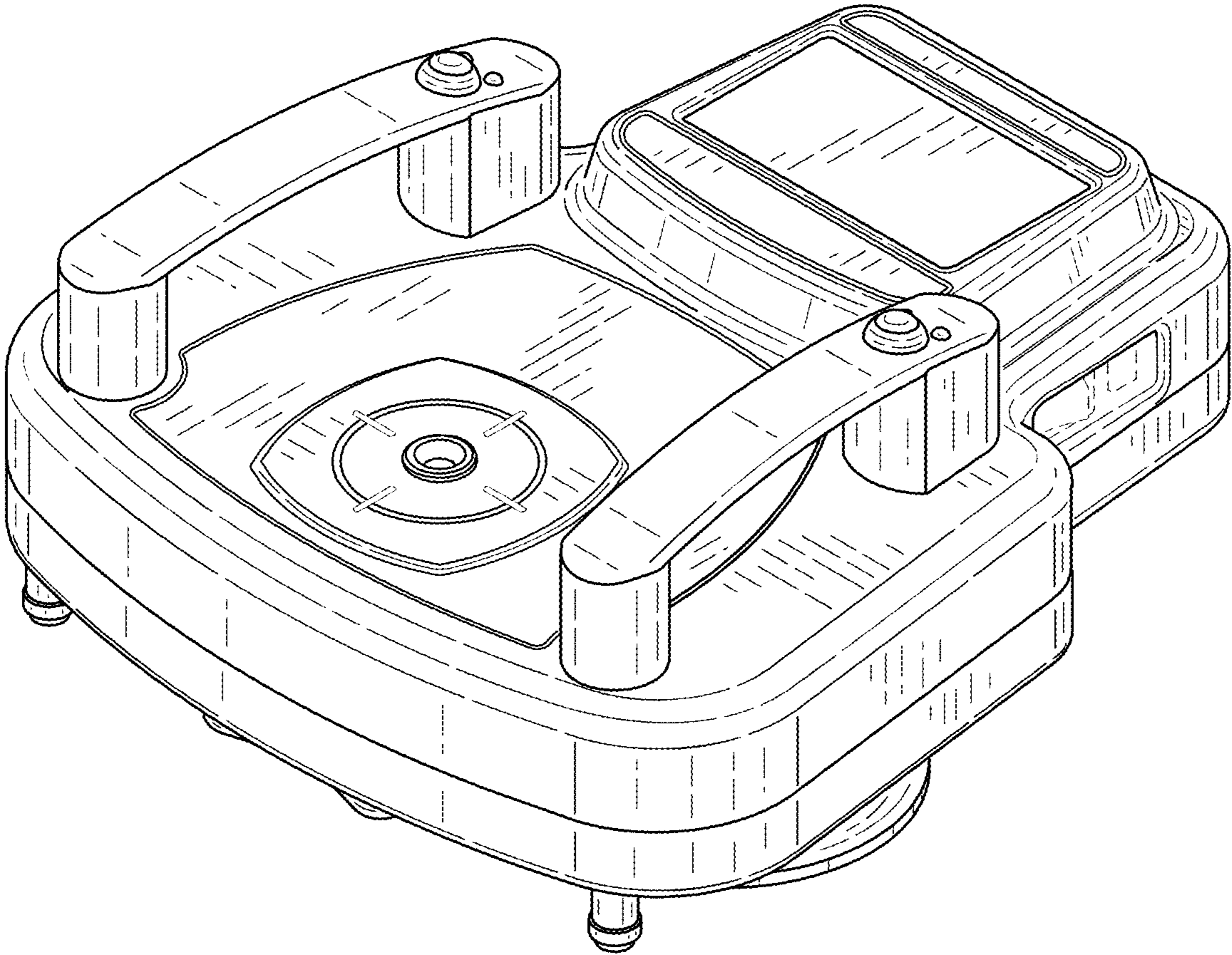


FIG.1

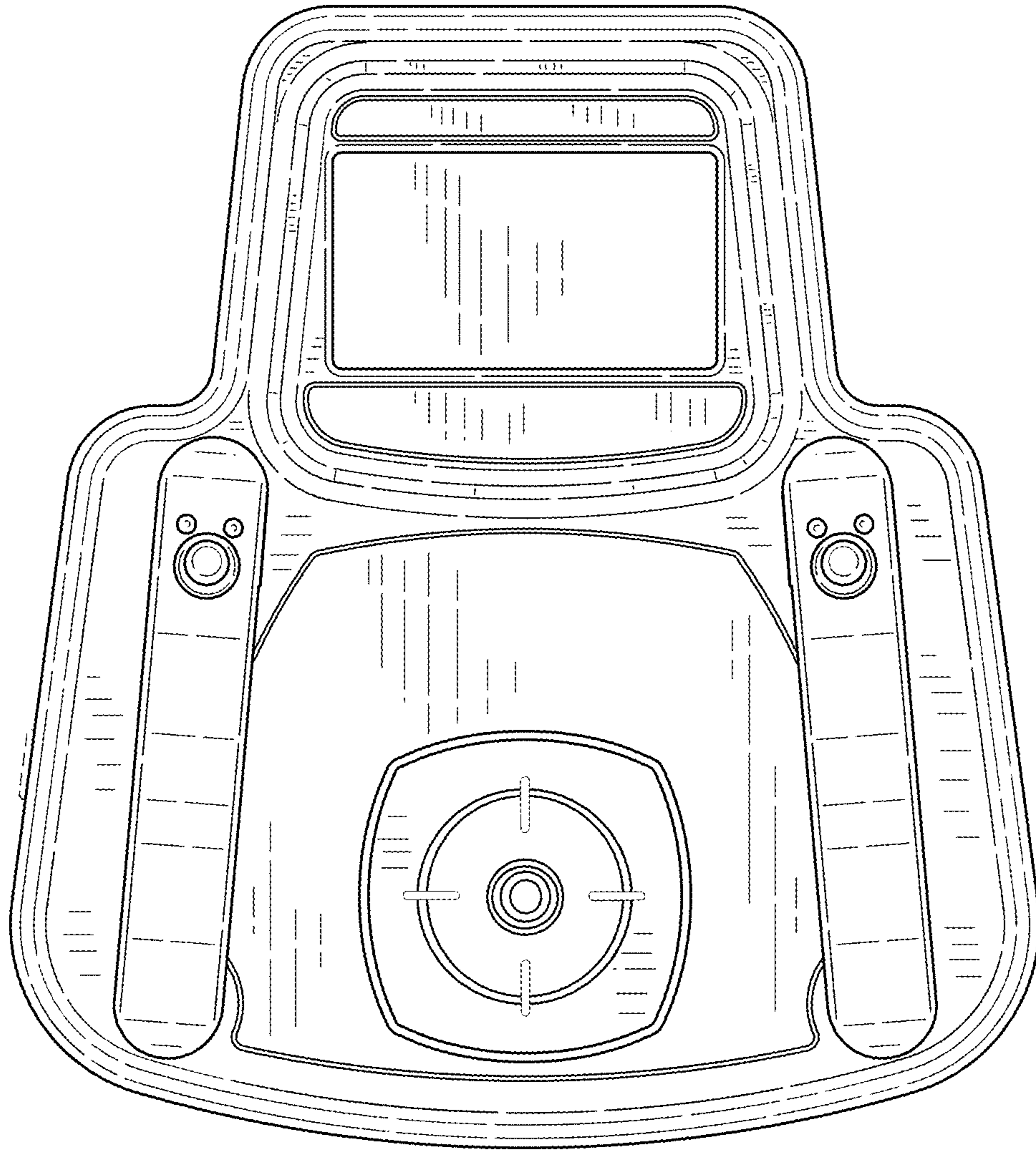


FIG.2

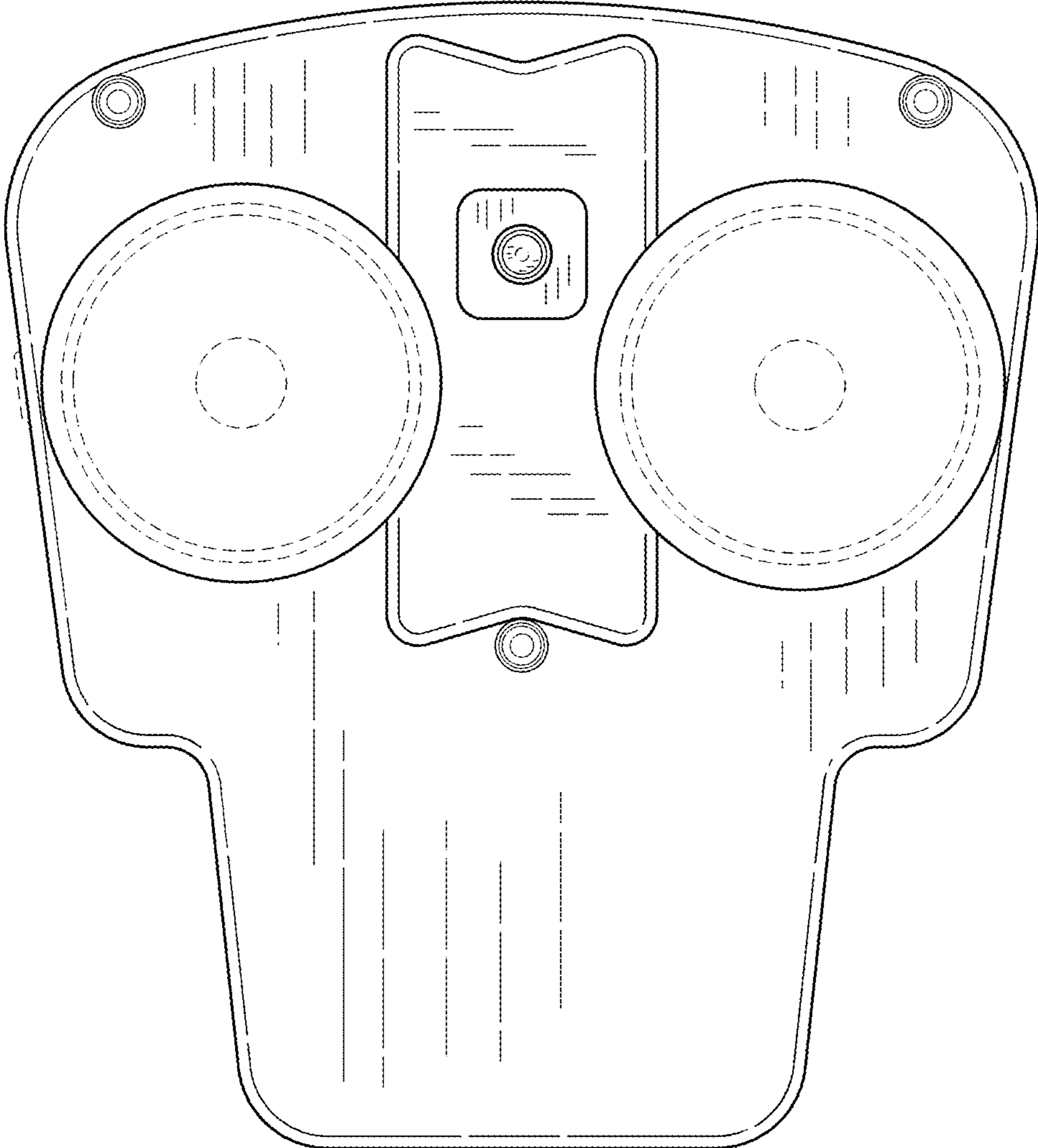


FIG.3

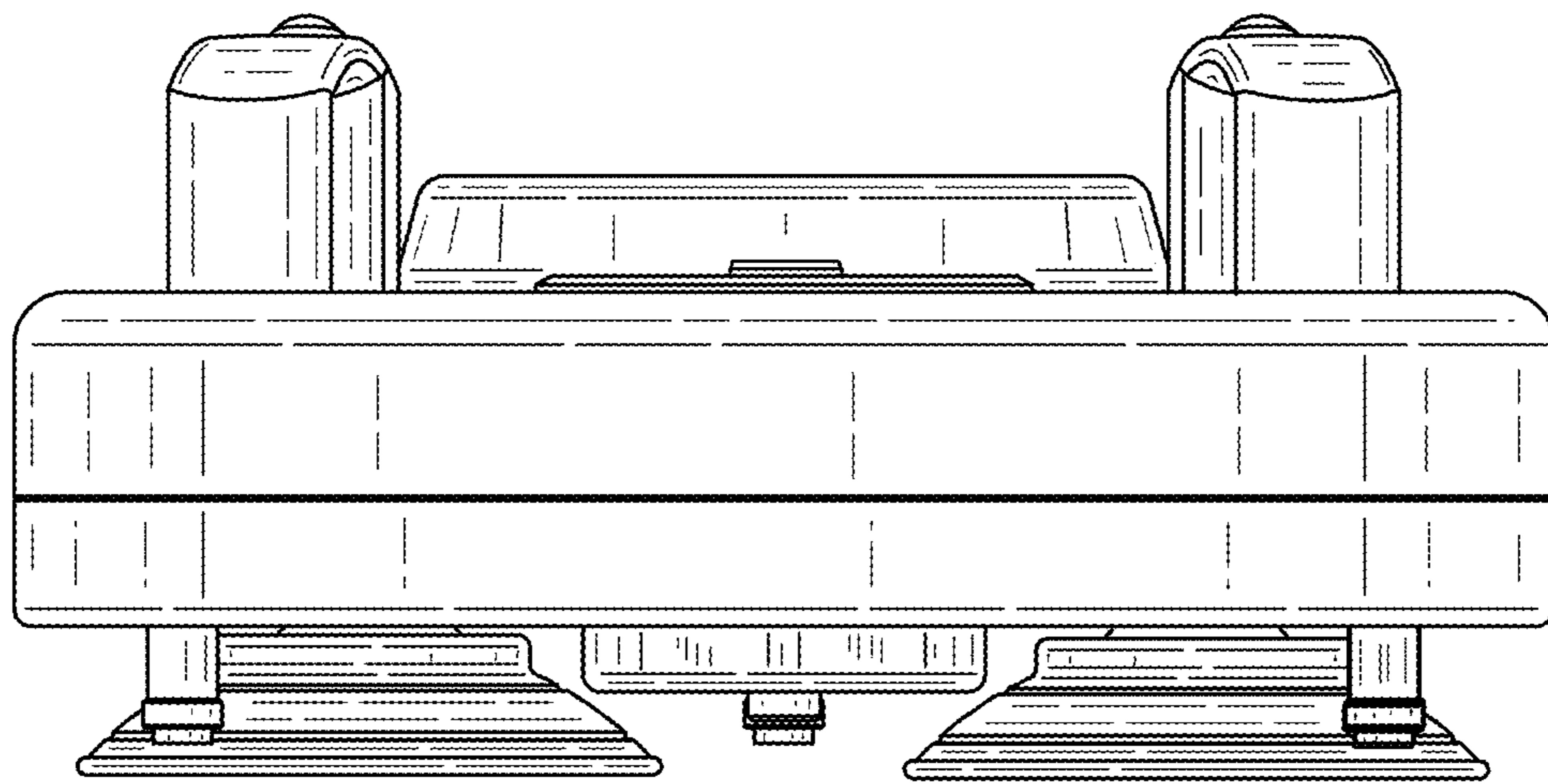


FIG.4

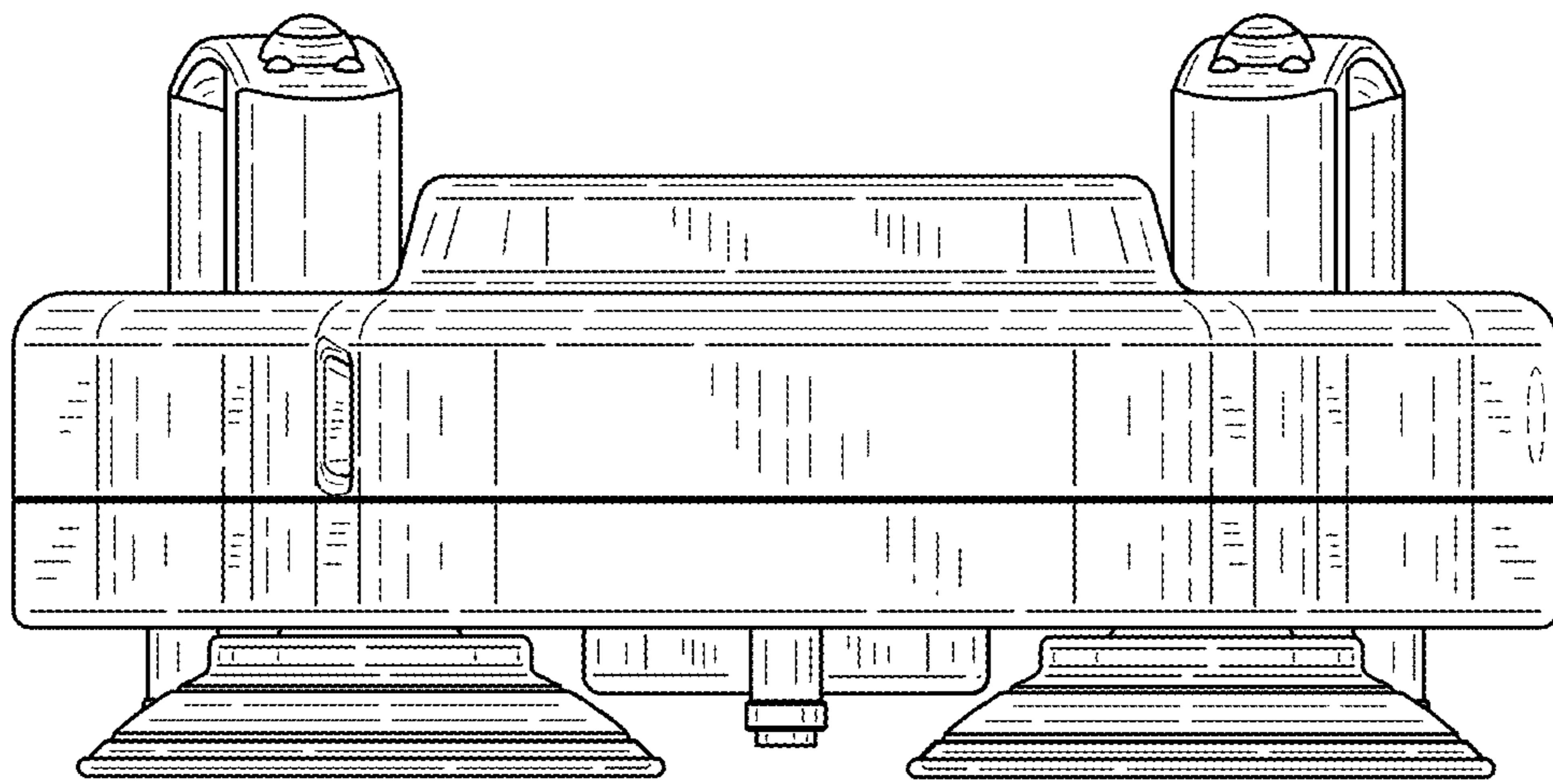


FIG.5

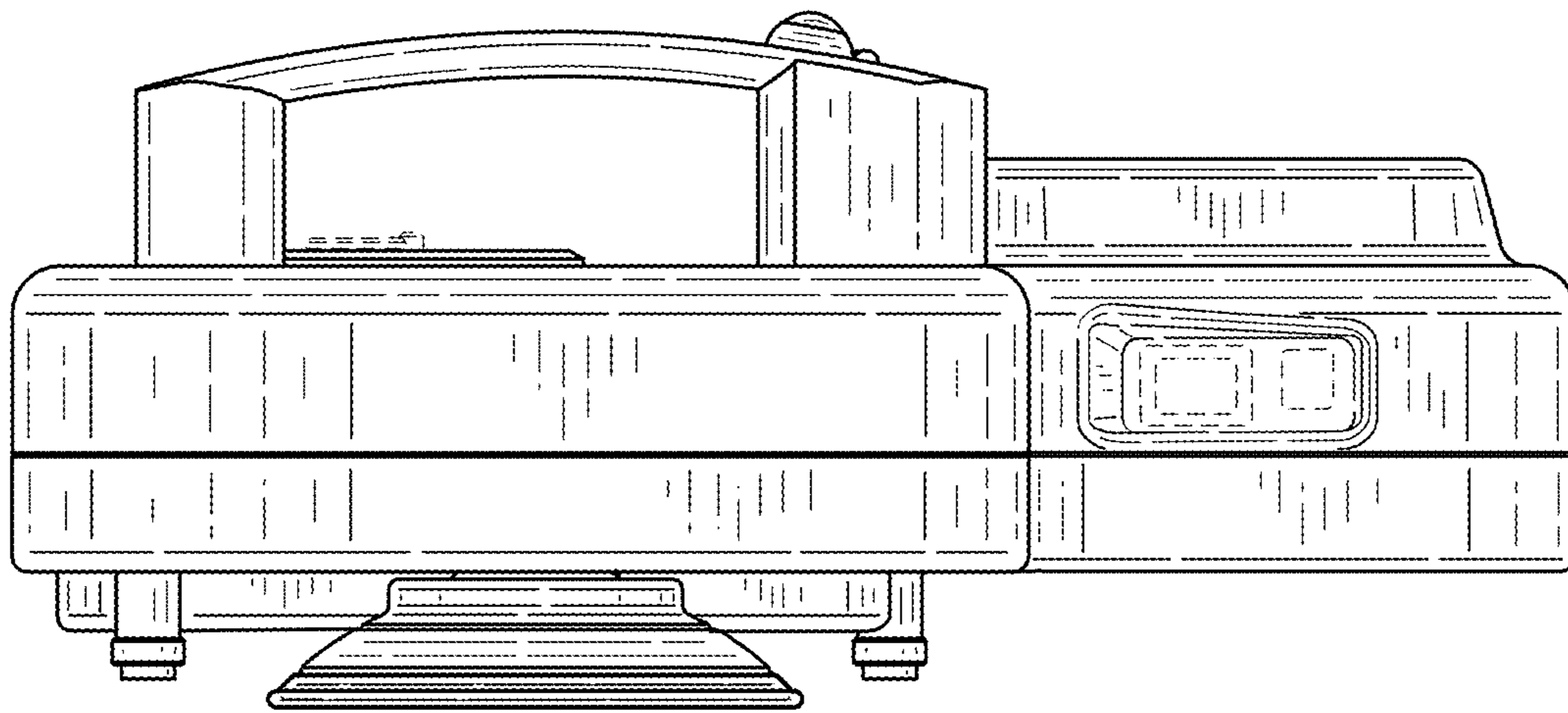


FIG.6

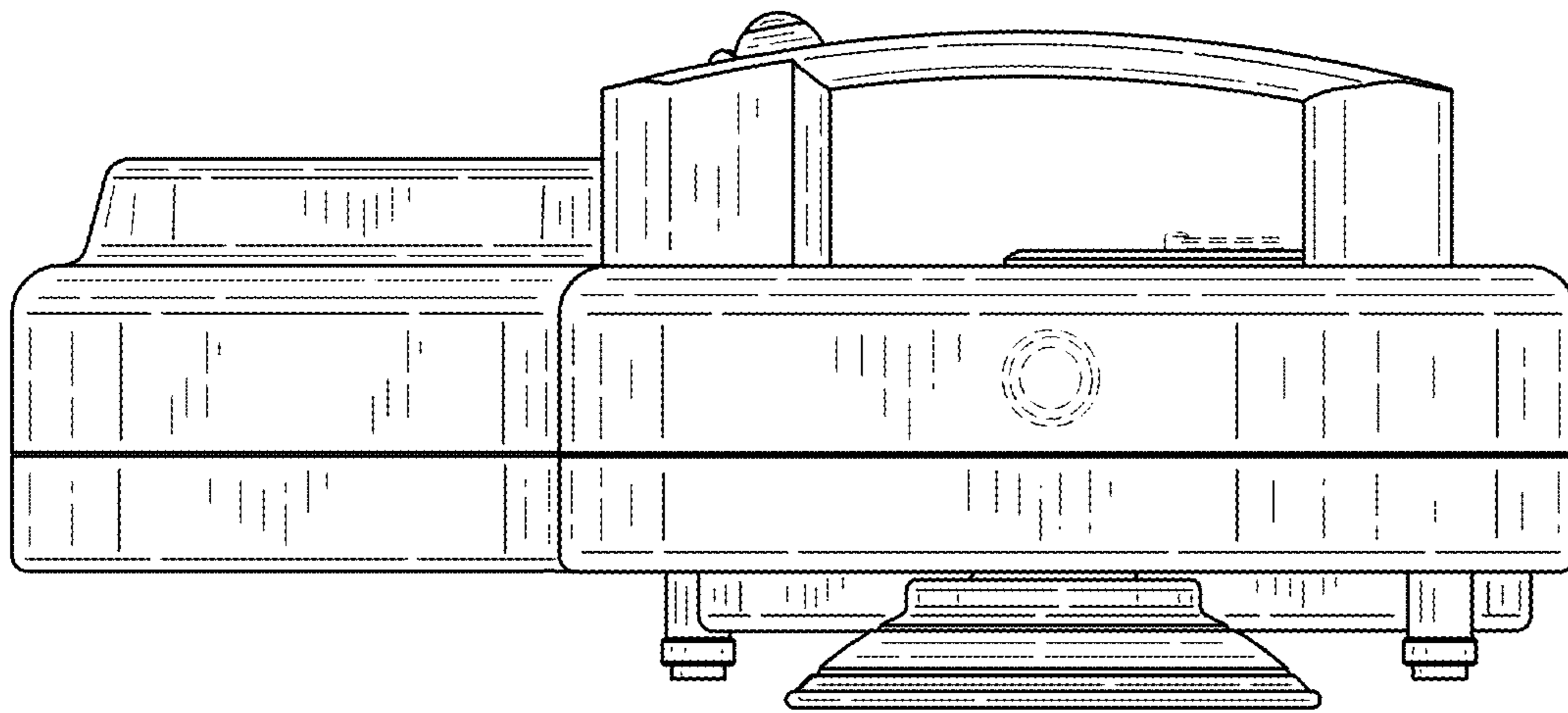


FIG.7