



US00D900898S

(12) **United States Design Patent**
Mellor et al.

(10) **Patent No.:** **US D900,898 S**
(45) **Date of Patent:** **** Nov. 3, 2020**

(54) **SUPPLY PORT BOSS AND RETURN PORT BOSS FOR A HYDRAULIC MANIFOLD FOR ACTUATOR CONTROL WITH DUAL SOLENOIDS**

(71) Applicant: **The Boeing Company**, Chicago, IL (US)

(72) Inventors: **Mitchell L. R. Mellor**, Seattle, WA (US); **Jonathan B. Wallace**, Mount Vernon, WA (US)

(73) Assignee: **THE BOEING COMPANY**, Chicago, IL (US)

(**) Term: **15 Years**

(21) Appl. No.: **29/690,631**

(22) Filed: **May 9, 2019**

(51) **LOC (12) Cl.** **15-09**

(52) **U.S. Cl.**
USPC **D15/149**

(58) **Field of Classification Search**
USPC D15/5, 138, 148, 149; D23/245
CPC B64C 25/22; B64C 25/34; B64C 25/60;
F15B 15/16
See application file for complete search history.

(56) **References Cited**

U.S. PATENT DOCUMENTS

4,194,719	A *	3/1980	Ewald	F15B 13/0433 137/625.64
4,357,955	A *	11/1982	Sauer	F15B 13/02 137/270
4,941,508	A *	7/1990	Hennessy	F16K 11/0708 137/625.69
5,372,060	A *	12/1994	Maruyama	F15B 13/02 137/596.15
D406,320	S *	3/1999	Lynch	D23/245

5,913,333	A *	6/1999	Biener	F15B 13/0435 137/596.2
6,505,645	B1 *	1/2003	Pack	F15B 13/0402 137/596.13
D520,520	S *	5/2006	Nimberger	D15/5
D542,307	S *	5/2007	Stephenson	D15/5
D557,281	S *	12/2007	Miller	D15/5
D681,784	S *	5/2013	Liljegren	D23/262
D745,112	S *	12/2015	Stevens	D23/233
9,481,452	B2	11/2016	Lindahl et al.		
9,764,827	B2	9/2017	Lindahl et al.		
2004/0099316	A1 *	5/2004	Koetter	F15B 13/0417 137/596.13
2005/0211320	A1 *	9/2005	Greenwood	F15B 13/086 137/884

(Continued)

Primary Examiner — Patricia A Palasik

(74) *Attorney, Agent, or Firm* — Parsons Behle & Latimer

(57) **CLAIM**

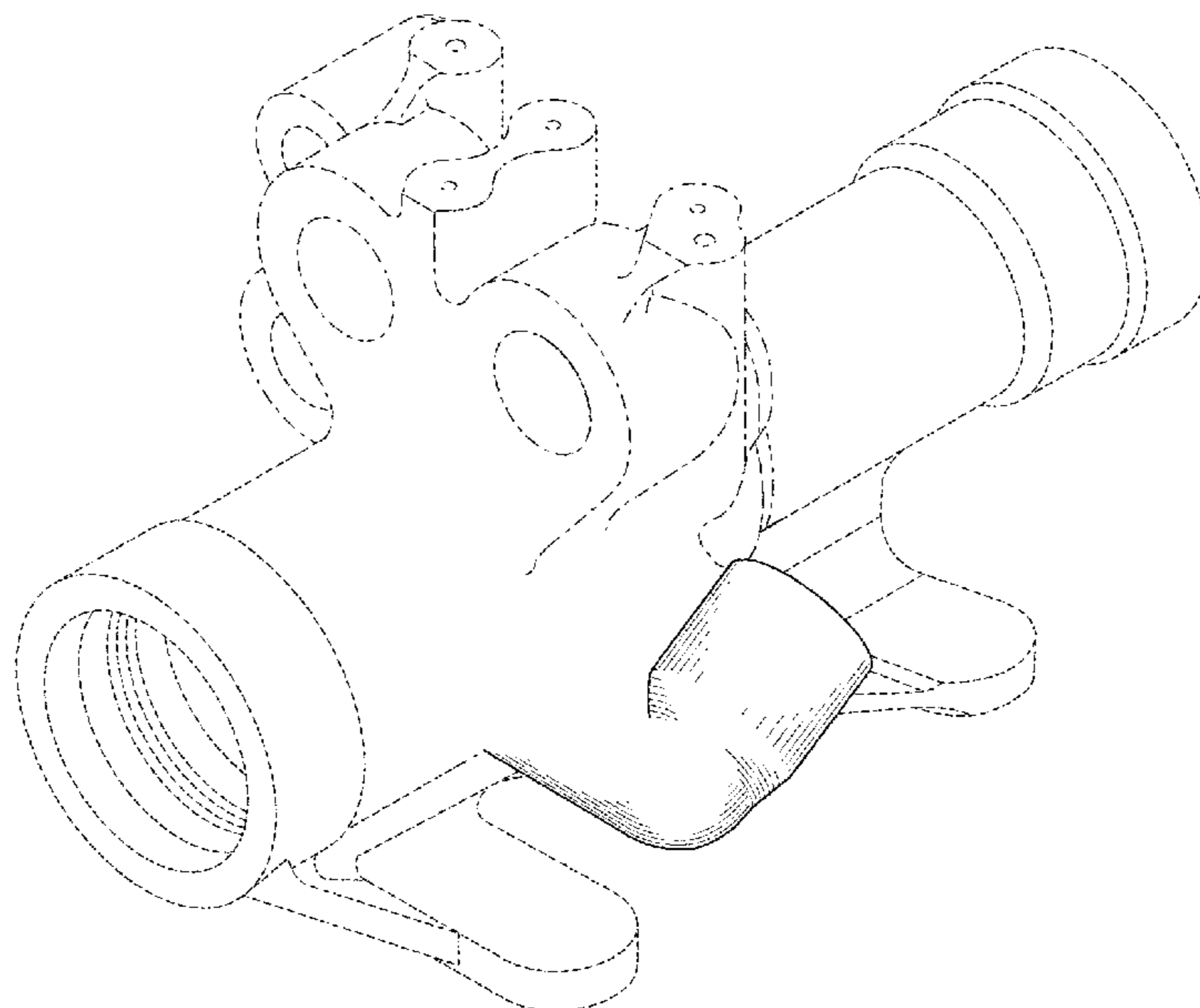
The ornamental design for a supply port boss and return port boss for a hydraulic manifold for actuator control with dual solenoids, as shown and described.

DESCRIPTION

FIG. 1 is a perspective view showing the top, front, and right sides of a supply boss for a hydraulic manifold for actuator control with dual solenoids showing the new design; FIG. 2 is a right side elevation view thereof; FIG. 3 is a left side elevation view thereof; FIG. 4 is a top side elevation view thereof; FIG. 5 is a bottom side elevation view thereof; FIG. 6 is a front side elevation view thereof; and, FIG. 7 is a back side elevation view thereof.

The evenly spaced broken lines depict portions of the manifold and environmental subject matter that forms no part of the claim. The dash-dot broken lines represent boundaries of the claim and form no part thereof.

1 Claim, 4 Drawing Sheets



(56)

References Cited

U.S. PATENT DOCUMENTS

2011/0088236 A1* 4/2011 Fathauer B23P 15/001
29/402.08

* cited by examiner

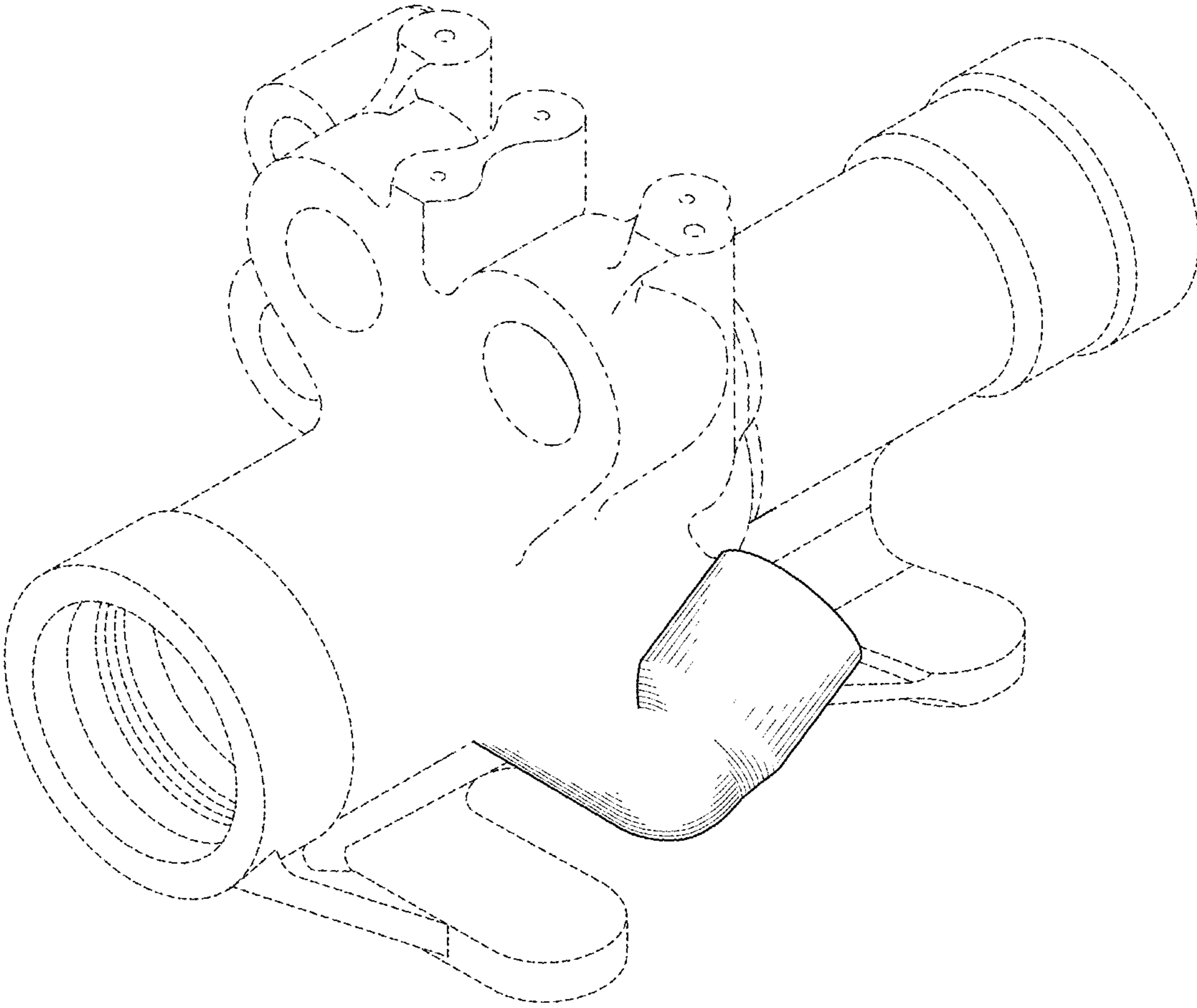


FIG. 1

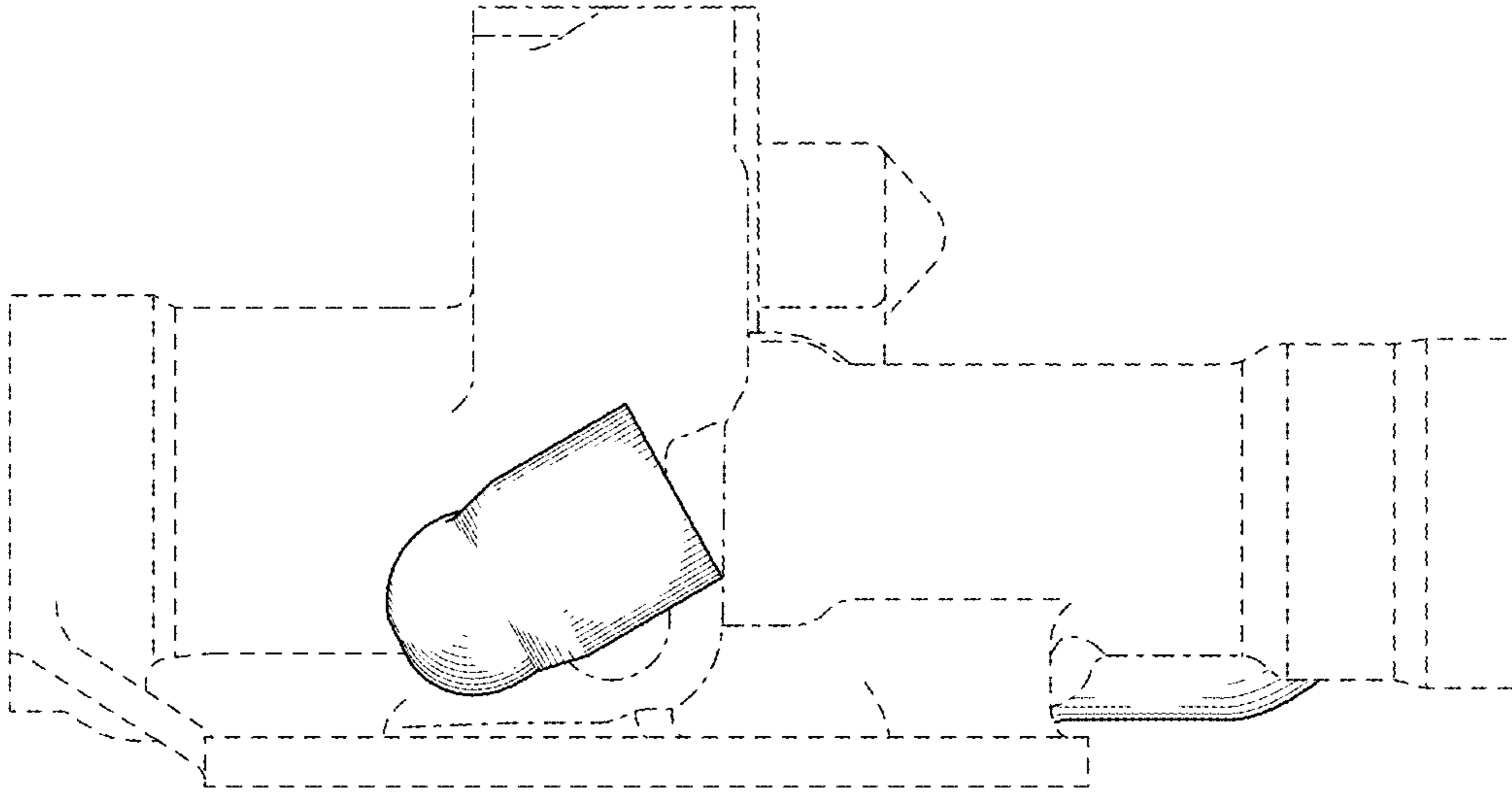


FIG. 2

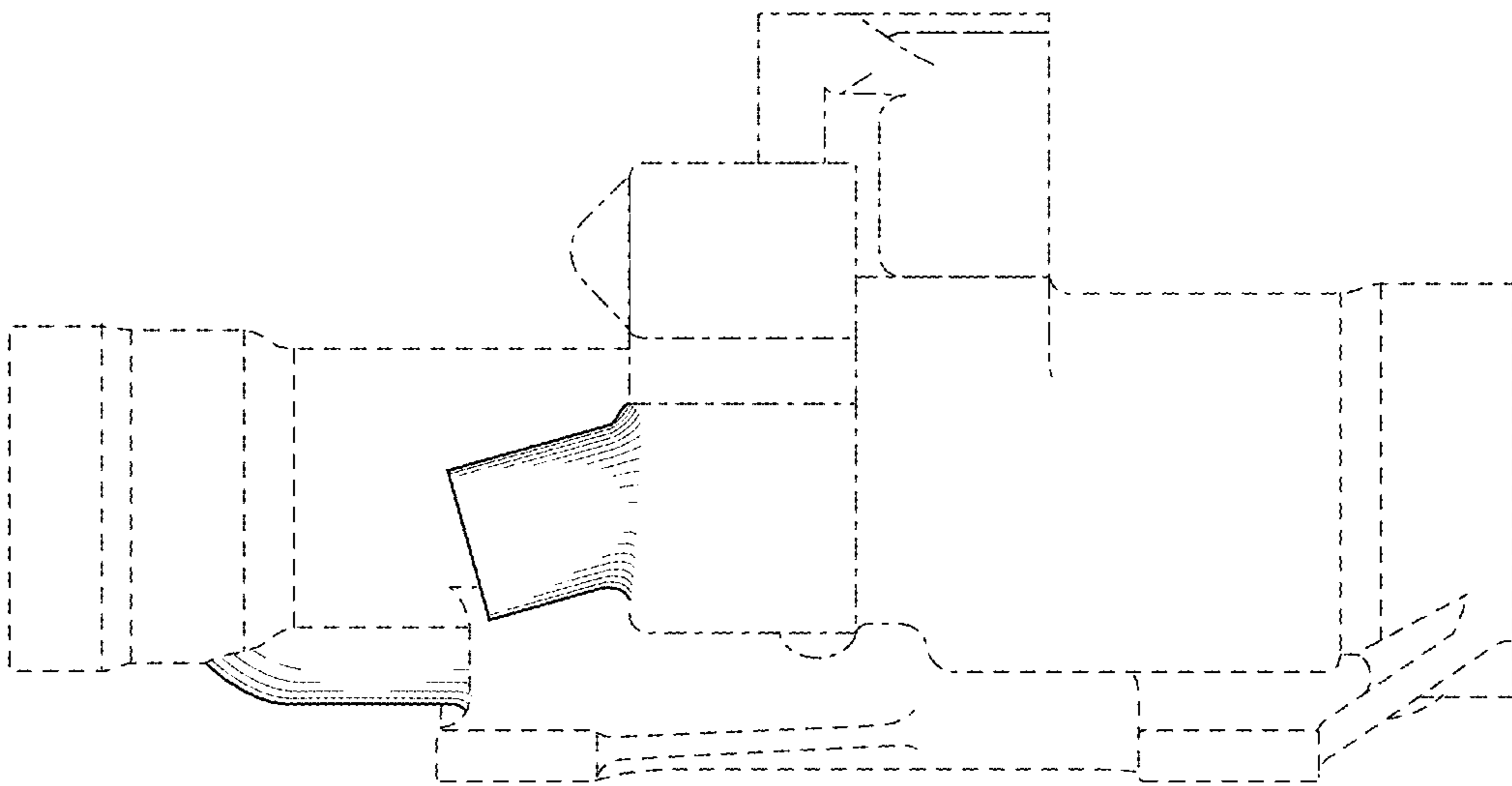


FIG. 3

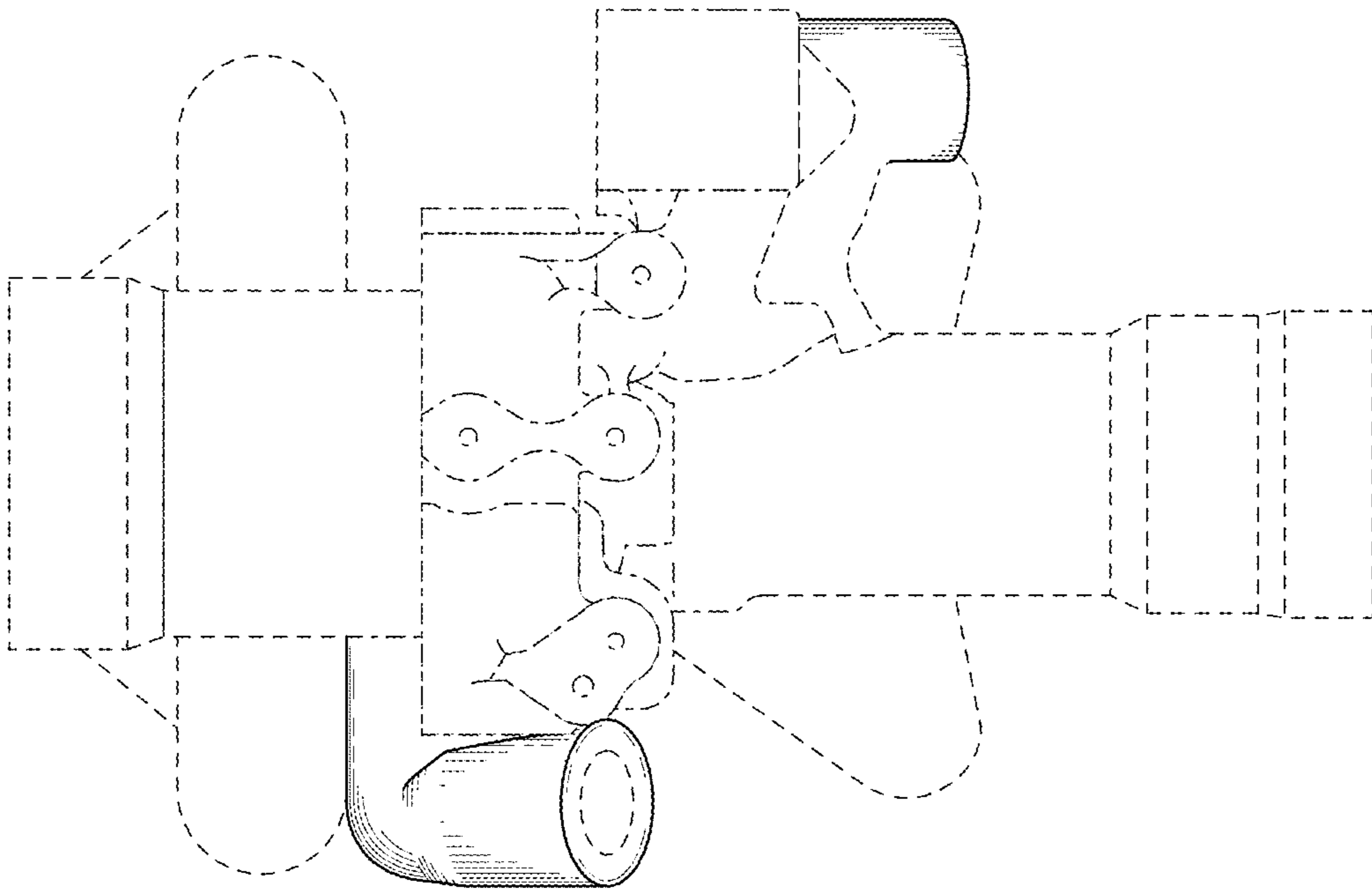


FIG. 4

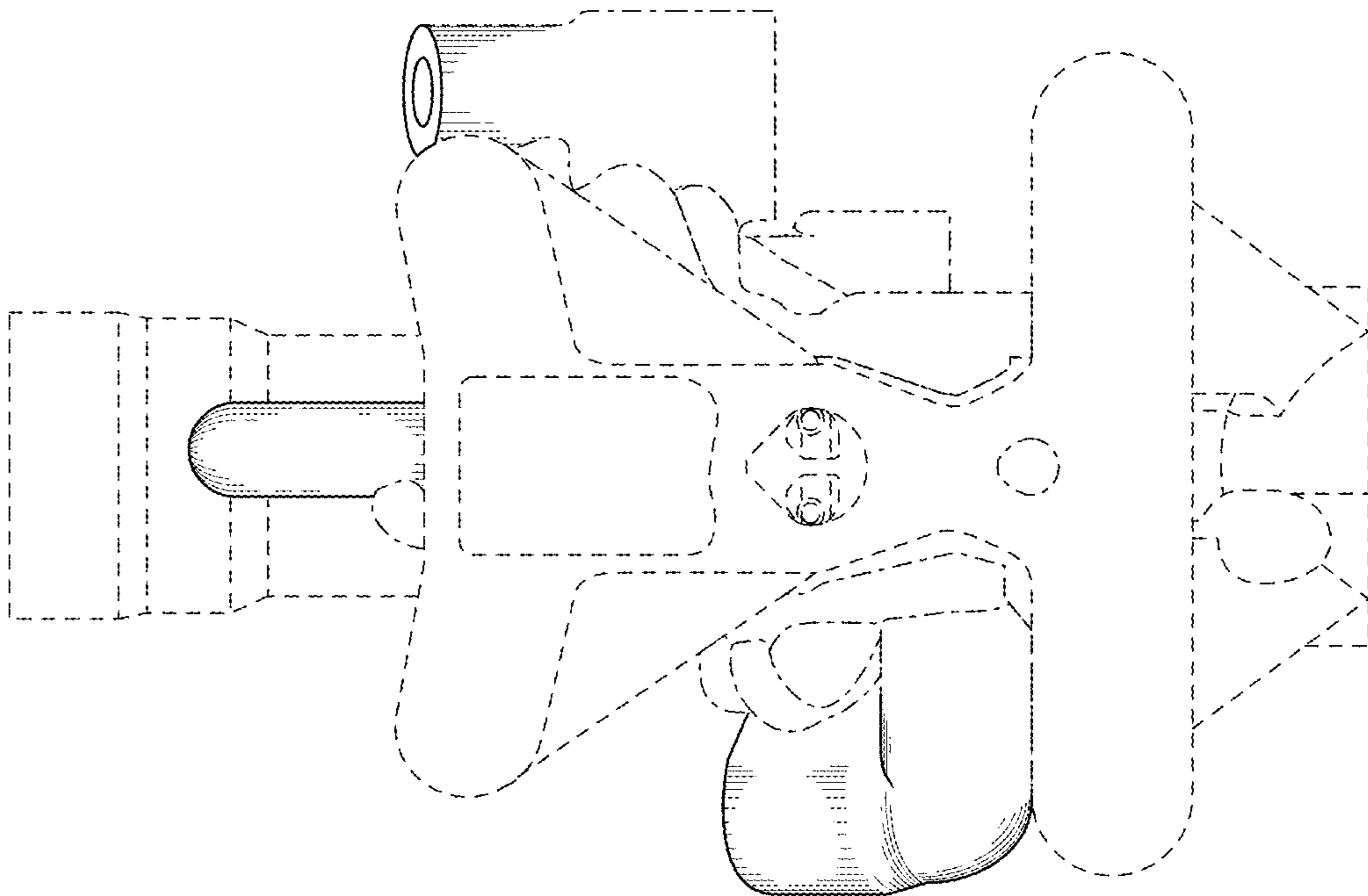


FIG. 5

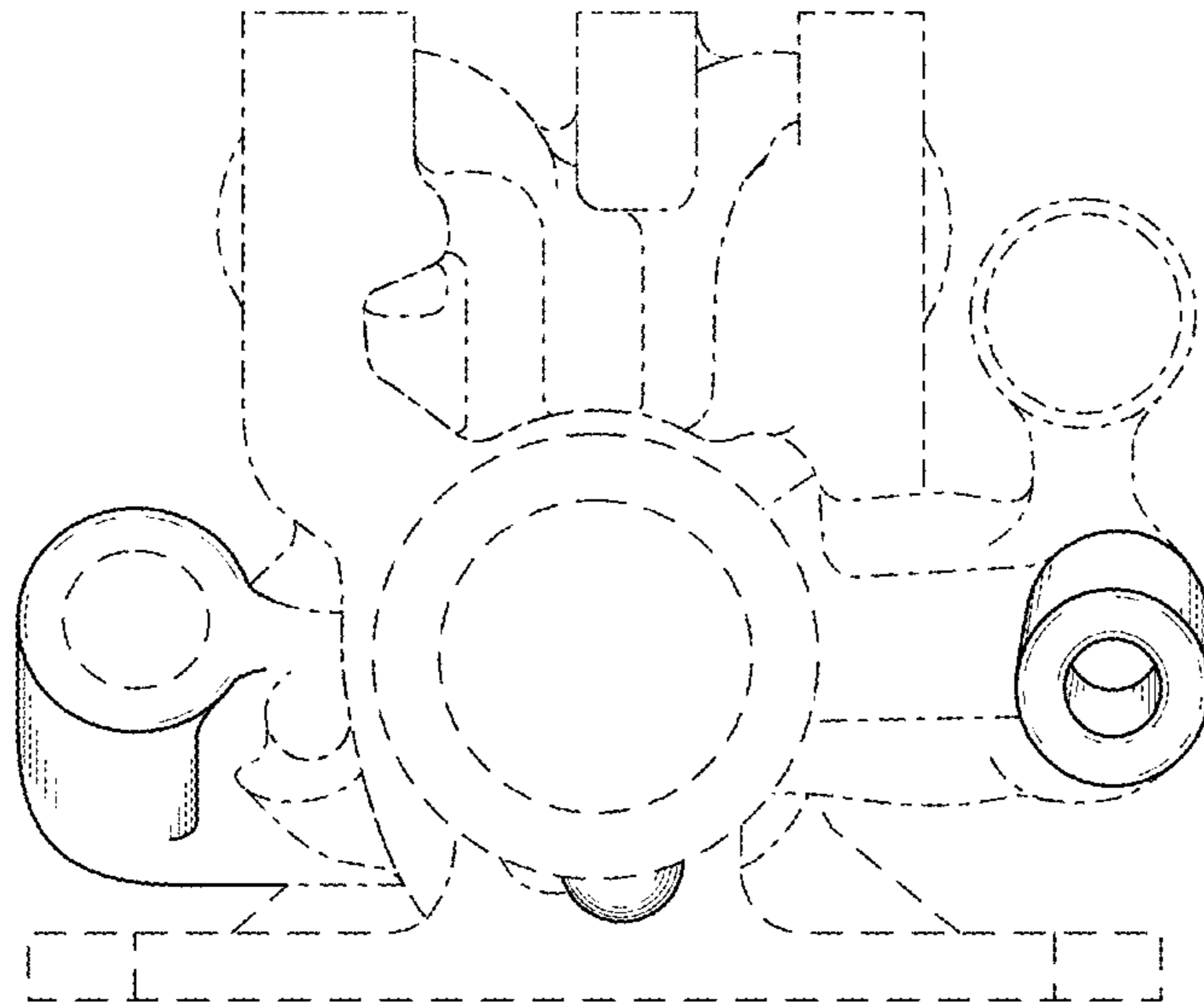


FIG. 6

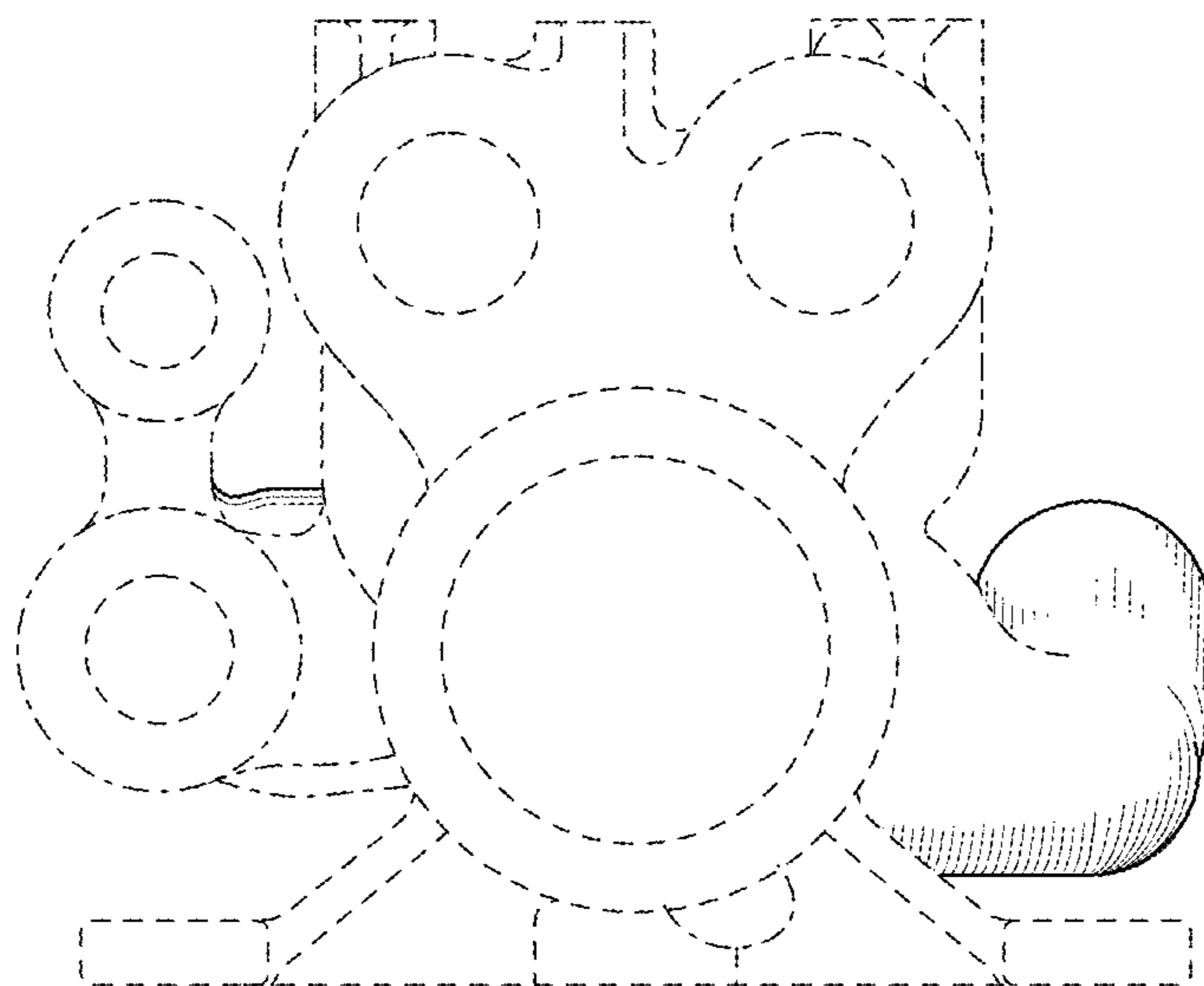


FIG. 7