



US00D900894S

(12) **United States Design Patent** (10) **Patent No.:** **US D900,894 S**  
**Mellor et al.** (45) **Date of Patent:** **\*\* Nov. 3, 2020**

(54) **HYDRAULIC MANIFOLD FOR ACTUATOR CONTROL WITH DUAL SOLENOIDS**

(71) Applicant: **The Boeing Company**, Chicago, IL (US)

(72) Inventors: **Mitchell L. R. Mellor**, Seattle, WA (US); **Jonathan B. Wallace**, Mount Vernon, WA (US)

(73) Assignee: **THE BOEING COMPANY**, Chicago, IL (US)

(\*\*) Term: **15 Years**

(21) Appl. No.: **29/690,600**

(22) Filed: **May 9, 2019**

(51) **LOC (12) Cl.** ..... **15-09**

(52) **U.S. Cl.**  
USPC ..... **D15/149**

(58) **Field of Classification Search**  
USPC ..... D15/5, 138, 148, 149; D23/245  
CPC ..... B64C 25/22; B64C 25/34; B64C 25/60;  
F15B 15/16  
See application file for complete search history.

(56) **References Cited**

U.S. PATENT DOCUMENTS

4,194,719 A \* 3/1980 Ewald ..... F15B 13/0433  
137/625.64  
4,357,955 A \* 11/1982 Sauer ..... F15B 13/02  
137/270  
4,941,508 A \* 7/1990 Hennessy ..... F16K 11/0708  
137/625.69  
5,372,060 A \* 12/1994 Maruyama ..... F15B 13/02  
137/596.15  
D406,320 S \* 3/1999 Lynch ..... D23/245  
5,913,333 A \* 6/1999 Biener ..... F15B 13/0435  
137/596.2

6,505,645 B1 \* 1/2003 Pack ..... F15B 13/0402  
137/596.13  
D520,520 S \* 5/2006 Nimberger ..... D15/5  
D542,307 S \* 5/2007 Stephenson ..... D15/5  
D557,281 S \* 12/2007 Miller ..... D15/5  
D681,784 S \* 5/2013 Liljegren ..... D23/262  
D745,112 S \* 12/2015 Stevens ..... D23/233  
9,481,452 B2 11/2016 Lindahl et al.  
9,764,827 B2 9/2017 Lindahl et al.  
2004/0099316 A1 \* 5/2004 Koetter ..... F15B 13/0417  
137/596.13  
2005/0211320 A1 \* 9/2005 Greenwood ..... F15B 13/086  
137/884  
2011/0088236 A1 \* 4/2011 Fathauer ..... B23P 15/001  
29/402.08

\* cited by examiner

*Primary Examiner* — Patricia A Palasik

(74) *Attorney, Agent, or Firm* — Parsons Behle & Latimer

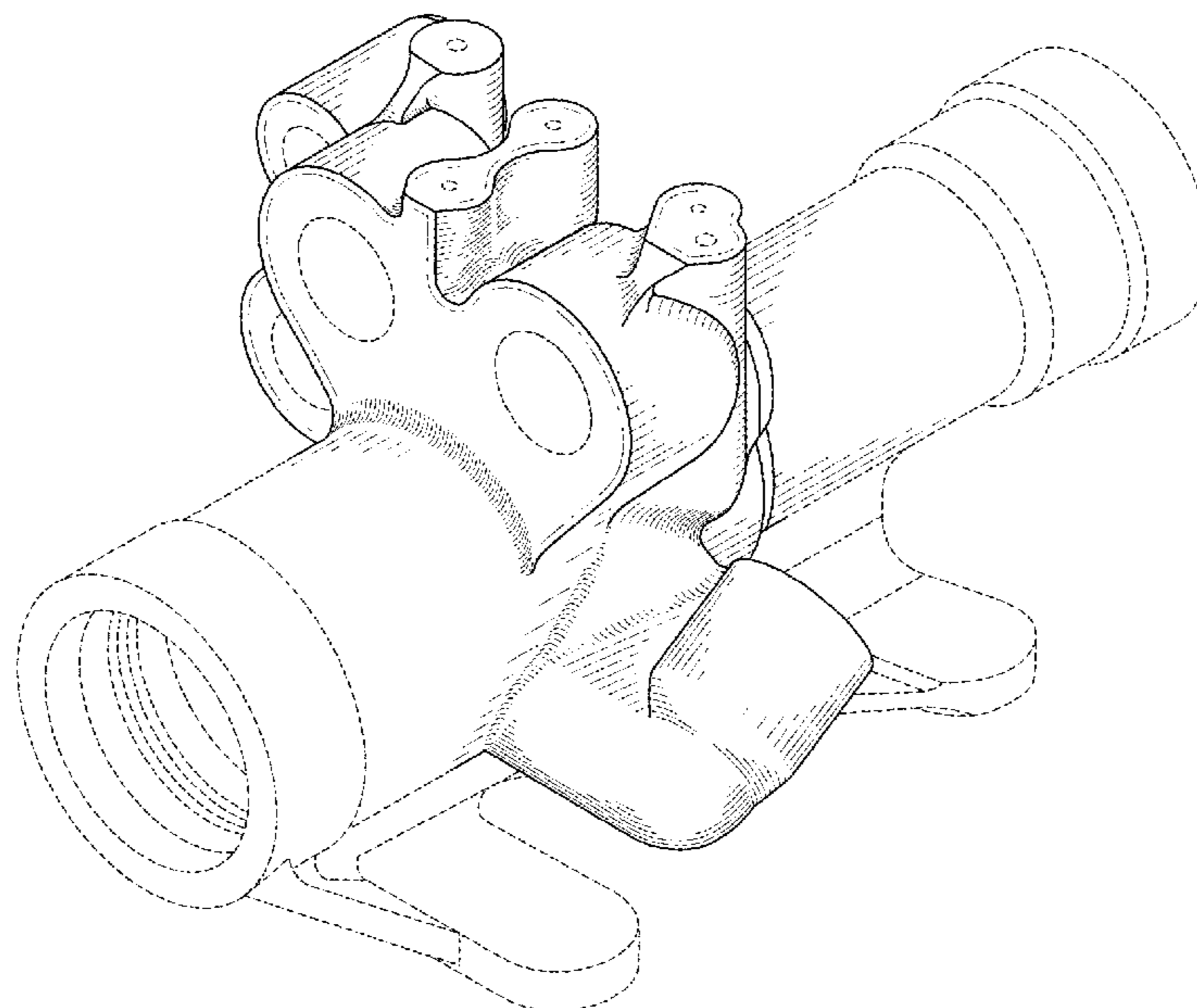
(57) **CLAIM**

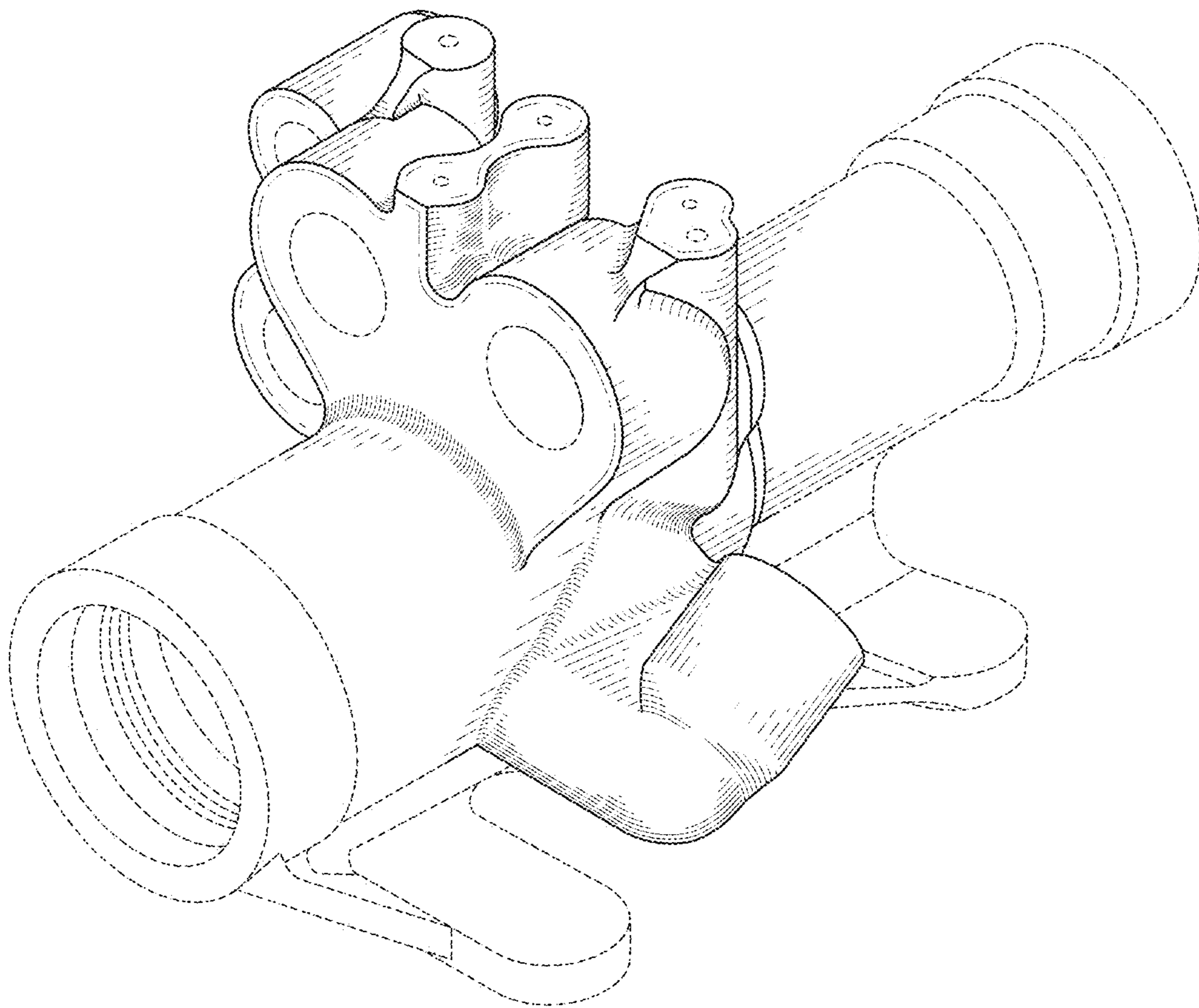
The ornamental design for a hydraulic manifold for actuator control with dual solenoids, as shown and described.

**DESCRIPTION**

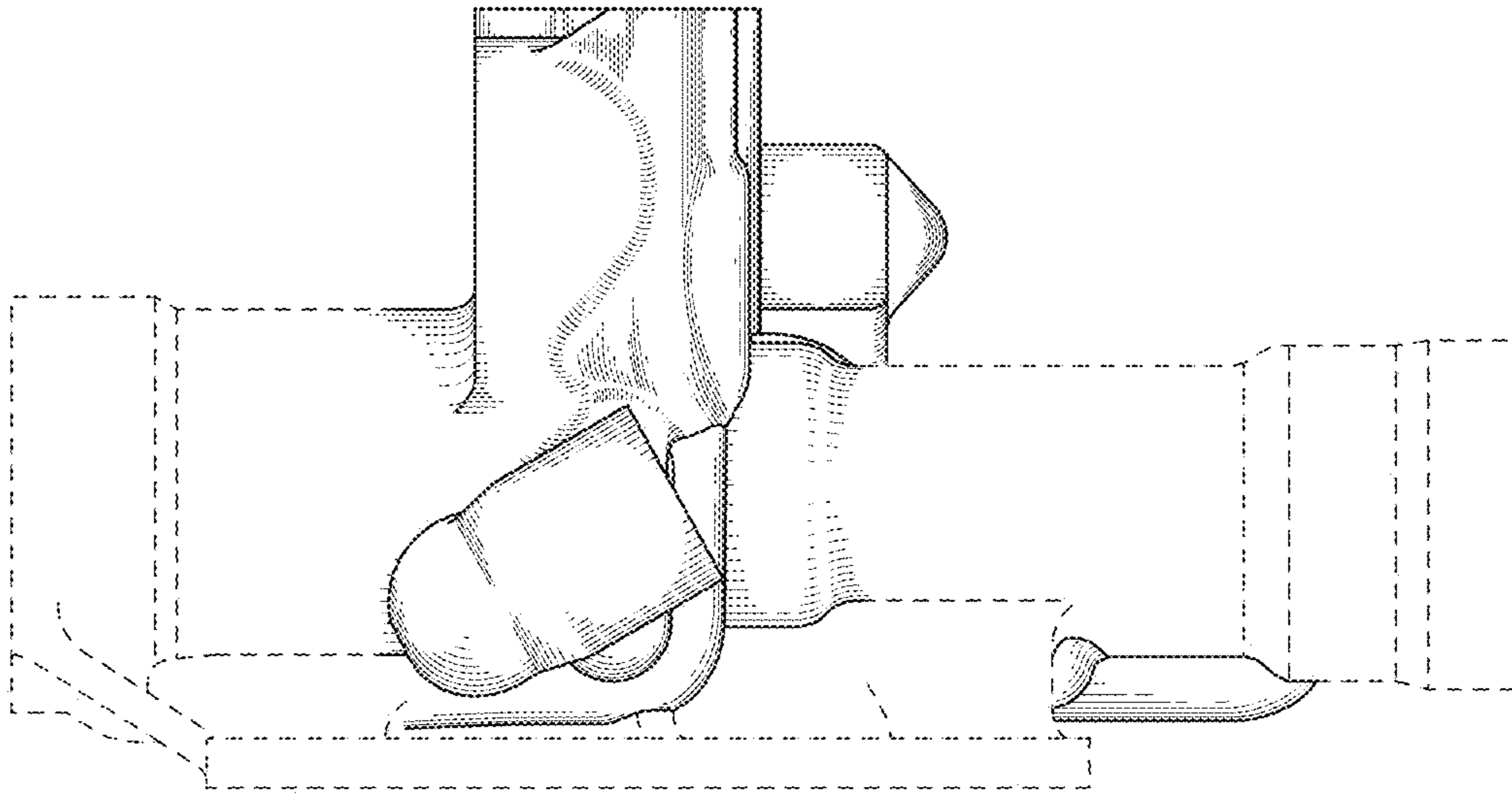
FIG. 1 is a perspective view showing the top, front, back, and right sides of a hydraulic manifold for actuator control with dual solenoids showing the new design; FIG. 2 is a right side elevation view thereof; FIG. 3 is a left side elevation view thereof; FIG. 4 is a top side elevation view thereof; FIG. 5 is a bottom side elevation view thereof; FIG. 6 is a front side elevation view thereof; and, FIG. 7 is a back side elevation view thereof. The evenly spaced broken line depict portions of the manifold and environmental subject matter that forms no part of the claim.

**1 Claim, 4 Drawing Sheets**

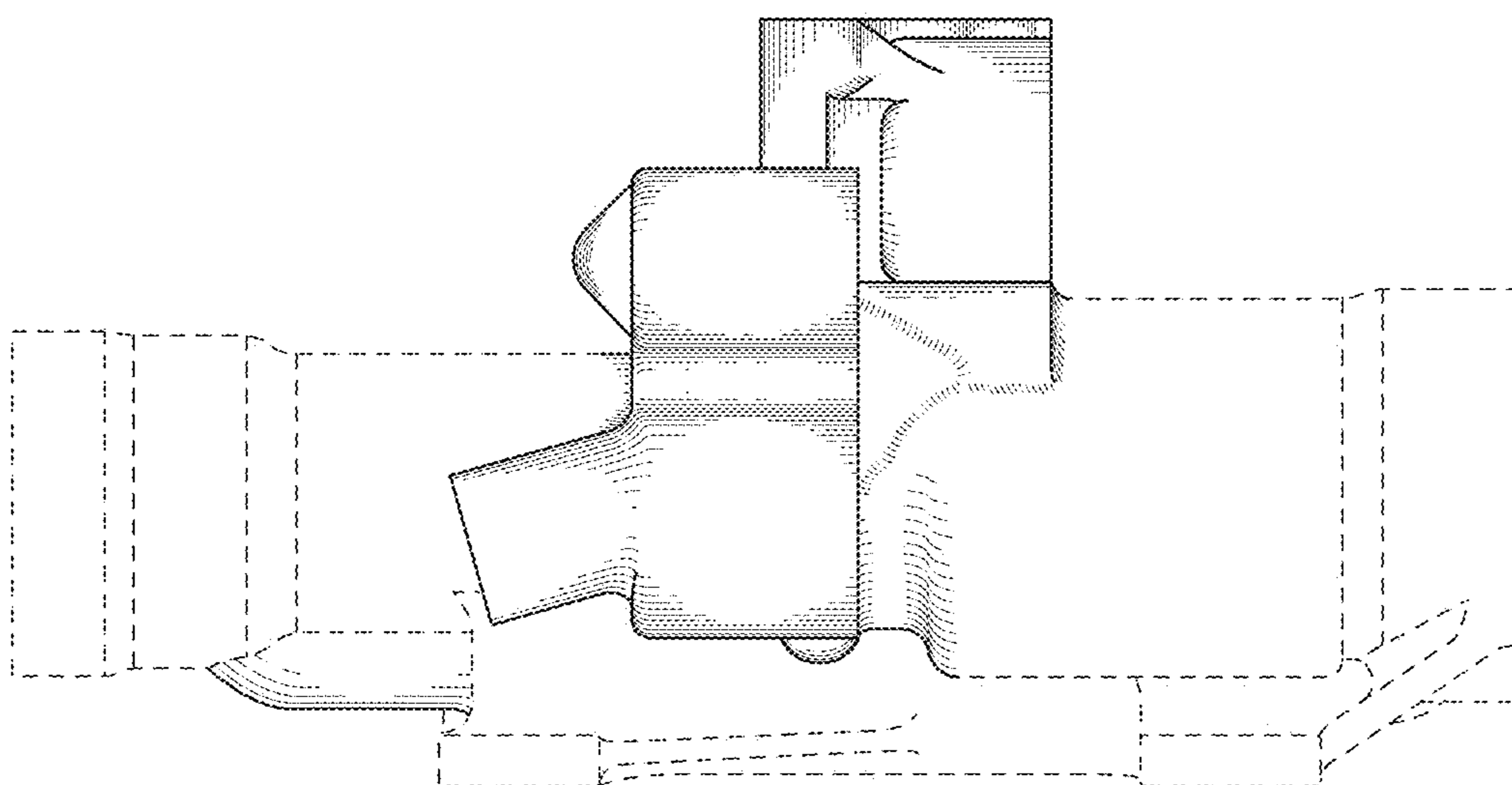




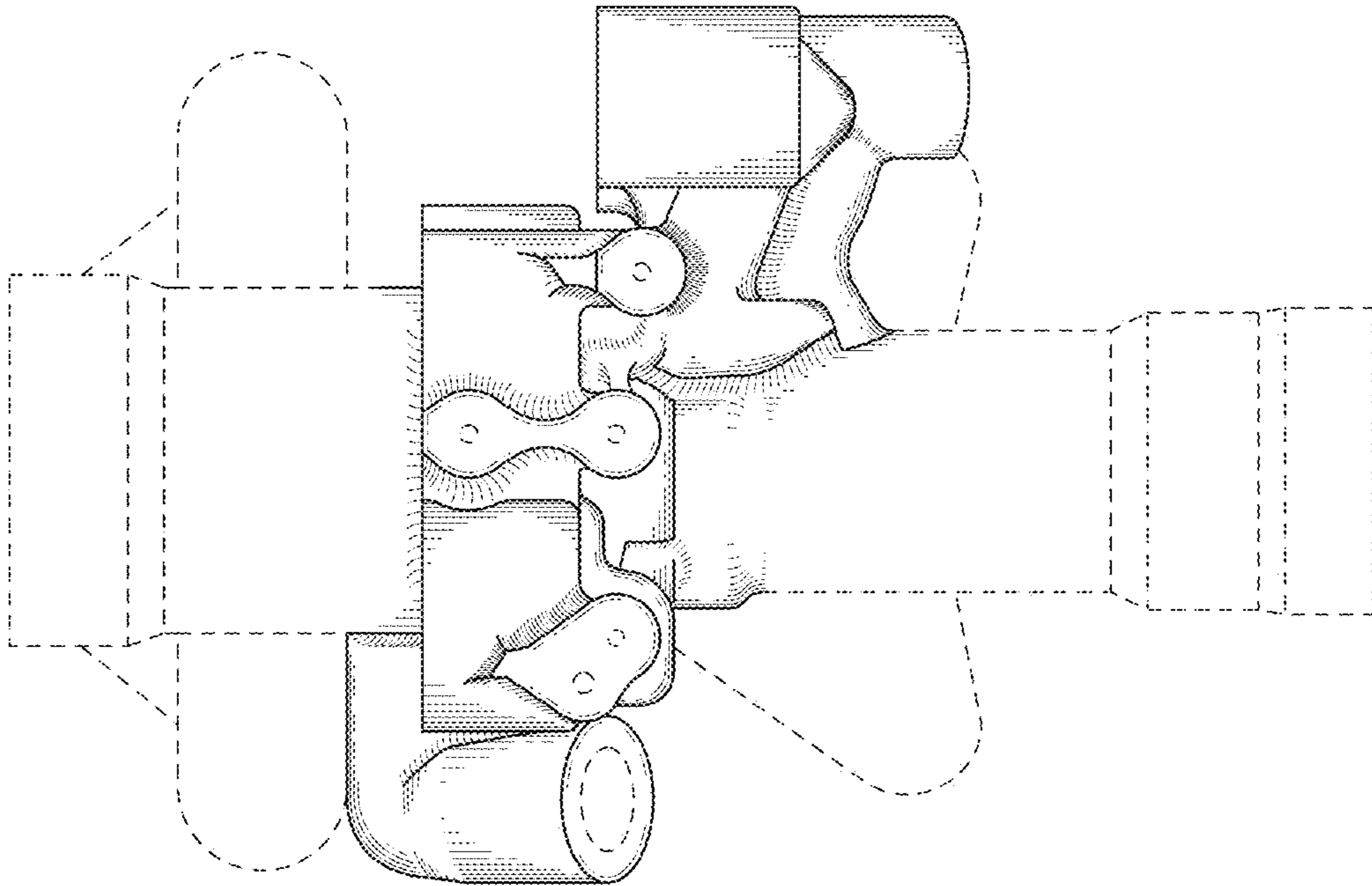
**FIG. 1**



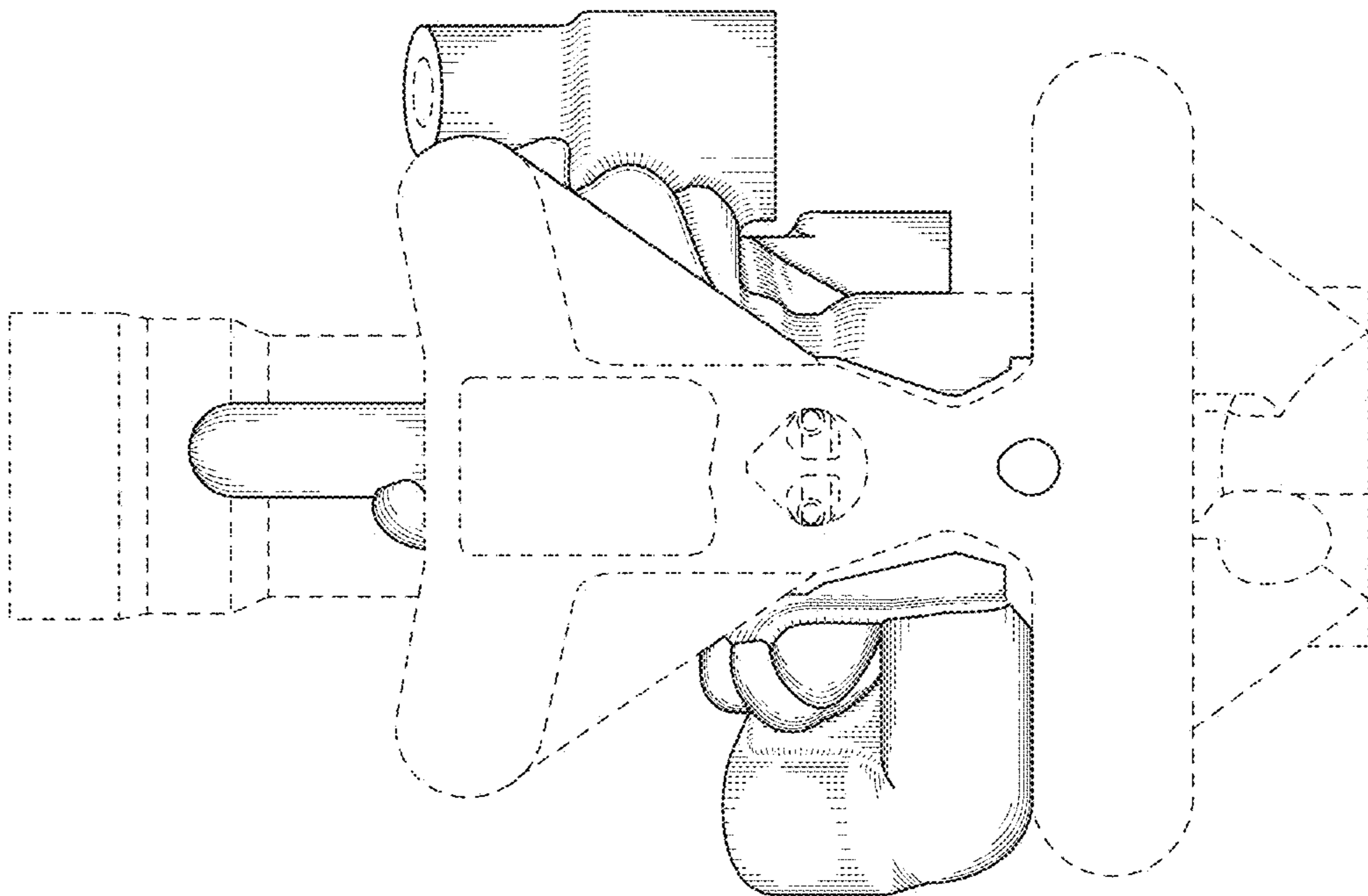
**FIG. 2**



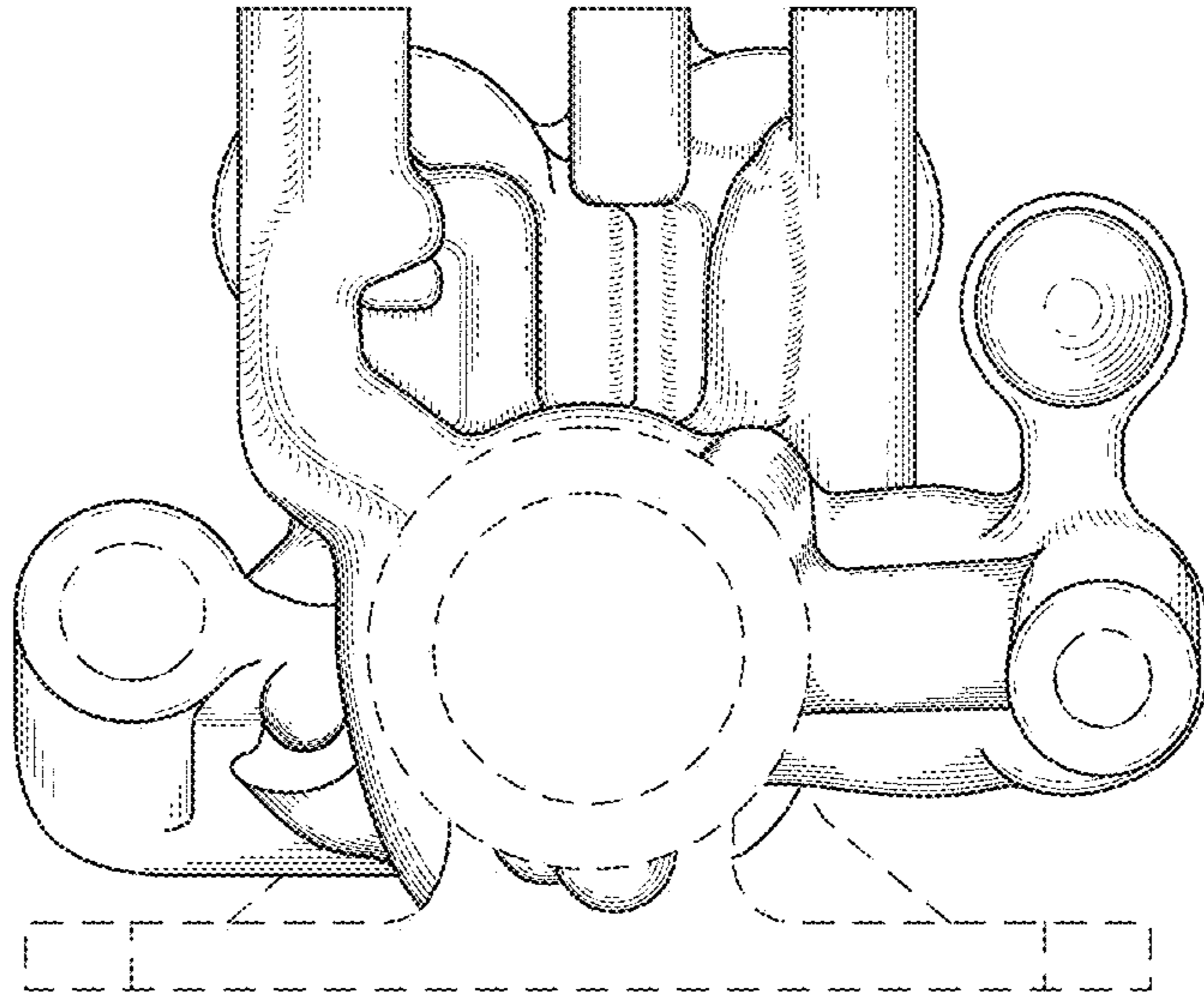
**FIG. 3**



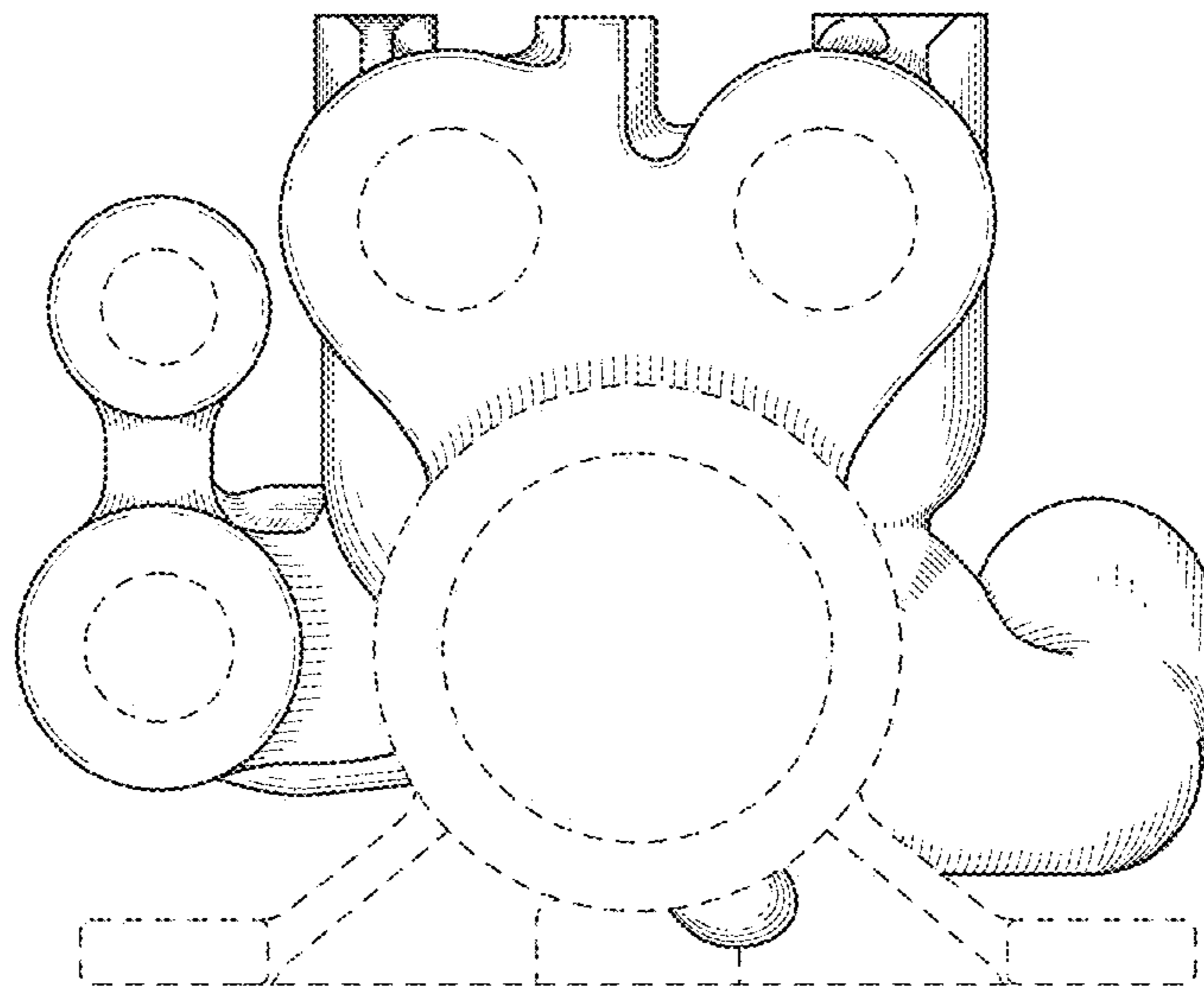
**FIG. 4**



**FIG. 5**



**FIG. 6**



**FIG. 7**