



US00D900892S

(12) **United States Design Patent** (10) **Patent No.:** **US D900,892 S**  
**Zhang et al.** (45) **Date of Patent:** **\*\* Nov. 3, 2020**

(54) **DEVICE FOR SYNTHESIZING BIO-INK**  
 (71) Applicant: **REVOTEK CO., LTD**, Sichuan (CN)  
 (72) Inventors: **Leqing Zhang**, Sichuan (CN); **Deming Wang**, Sichuan (CN); **Yaya Zhang**, Sichuan (CN)

D861,747 S \* 10/2019 Grip ..... D15/122  
 D861,748 S \* 10/2019 Chen ..... D15/122  
 D863,380 S \* 10/2019 Zhang ..... D15/122  
 D870,780 S \* 12/2019 Zhang ..... D15/122  
 2019/0216591 A1\* 7/2019 Li ..... A61F 2/042  
 2019/0217537 A1\* 7/2019 Li ..... A61F 2/06

(73) Assignee: **REVOTEK CO., LTD**, Sichuan (CN)

(\*\*) Term: **15 Years**

(21) Appl. No.: **29/642,975**

(22) Filed: **Apr. 3, 2018**

(51) **LOC (12) Cl.** ..... **15-09**

(52) **U.S. Cl.**  
 USPC ..... **D15/122**

(58) **Field of Classification Search**  
 USPC ..... D24/170, 177, 185, 186, 216–219, 225,  
 D24/231–234; D10/81; D15/122, 135;  
 D14/420–425; D18/50, 53, 54, 54.1  
 CPC ..... G01N 2035/00306; G01N 2035/00326;  
 G01N 2035/00336; G01N 2035/00366;  
 G01N 2035/00495; G01N 2035/00544;  
 G01N 33/53; G01N 2035/00138; G01N  
 2035/00168; B29C 67/0059; B29C  
 67/0088; B29K 2105/0058  
 See application file for complete search history.

(56) **References Cited**

**U.S. PATENT DOCUMENTS**

D330,899 S \* 11/1992 Holbl ..... D15/135  
 9,157,782 B2 \* 10/2015 Berberich ..... G01F 23/2921  
 D791,203 S \* 7/2017 Zhang ..... D15/122  
 D836,684 S \* 12/2018 Zhang ..... D15/122  
 D845,357 S \* 4/2019 Chen ..... D15/122  
 10,345,198 B2 \* 7/2019 Walter ..... G01N 1/286

**OTHER PUBLICATIONS**

Revotek, posted at revotekhealth.com, no posting date, retrieved Dec. 20, 2019 online, URL: <http://www.revotekhealth.com/technology.aspx?t=1> (Year: 2019).\*

\* cited by examiner

*Primary Examiner* — Lilyana Bekic

*Assistant Examiner* — Mary Shannon Malley

(74) *Attorney, Agent, or Firm* — Scully Scott Murphy & Presser

(57) **CLAIM**

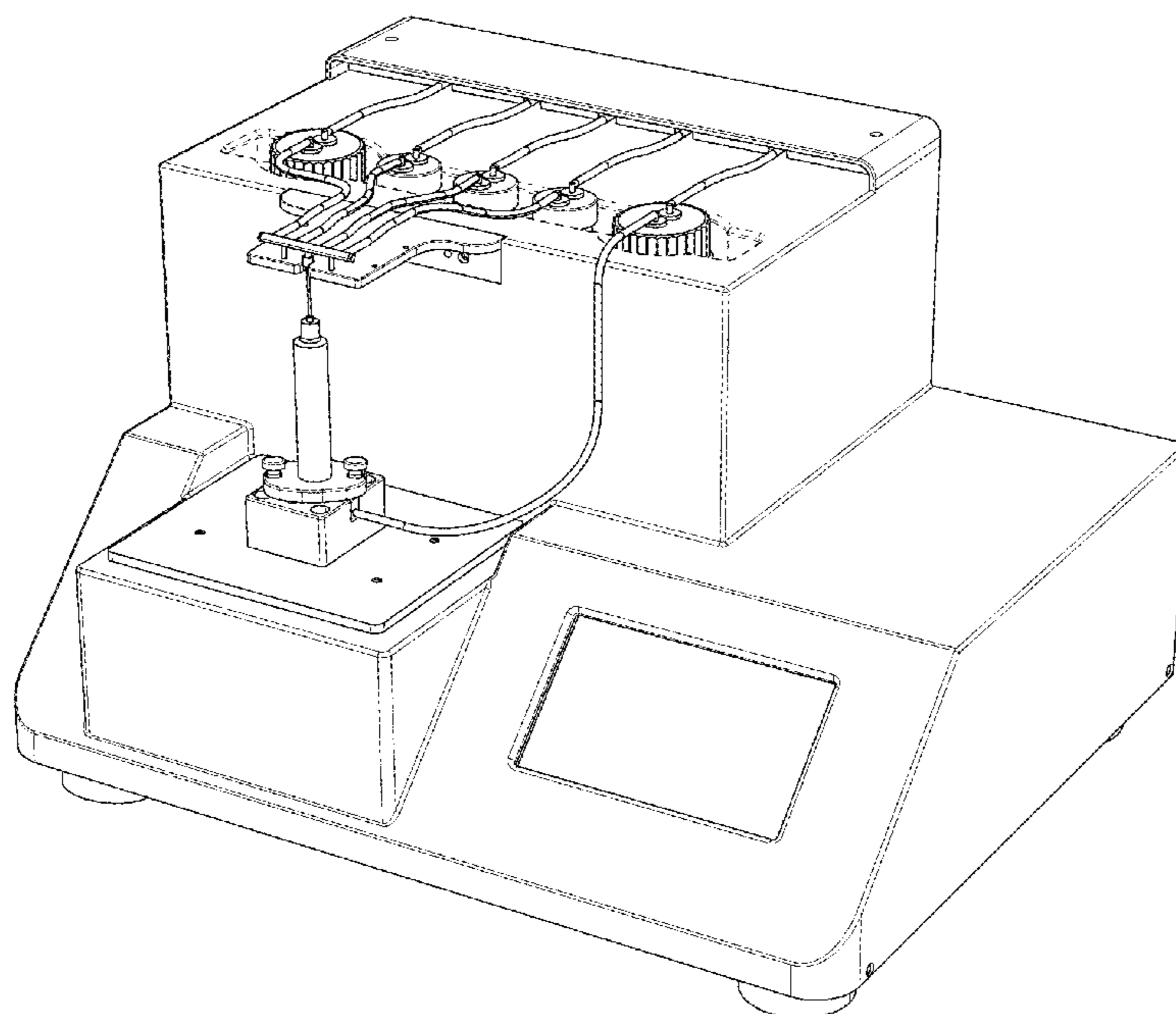
The ornamental design for a device for synthesizing bio-ink, as shown and described.

**DESCRIPTION**

FIG. 1 is a perspective view of a device for synthesizing bio-ink, showing our new design;  
 FIG. 2 is a front elevation view thereof;  
 FIG. 3 is a rear elevation view thereof;  
 FIG. 4 is a left side elevation view thereof;  
 FIG. 5 is a right side elevation view thereof; and,  
 FIG. 6 is a top plan view thereof.

The broken lines depict portions of the device for synthesizing bio-ink that form no part of the claimed design.

**1 Claim, 6 Drawing Sheets**



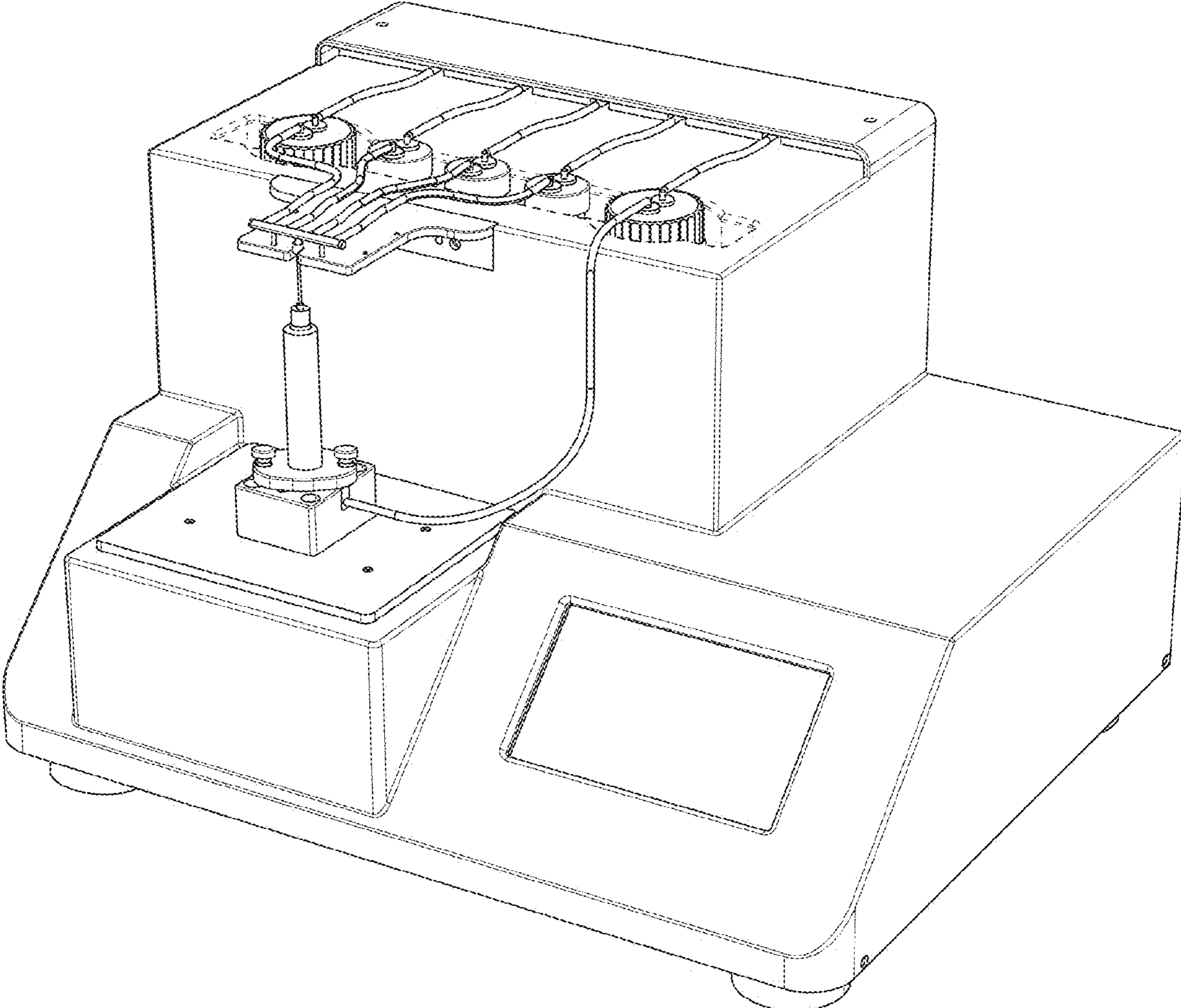


FIG. 1

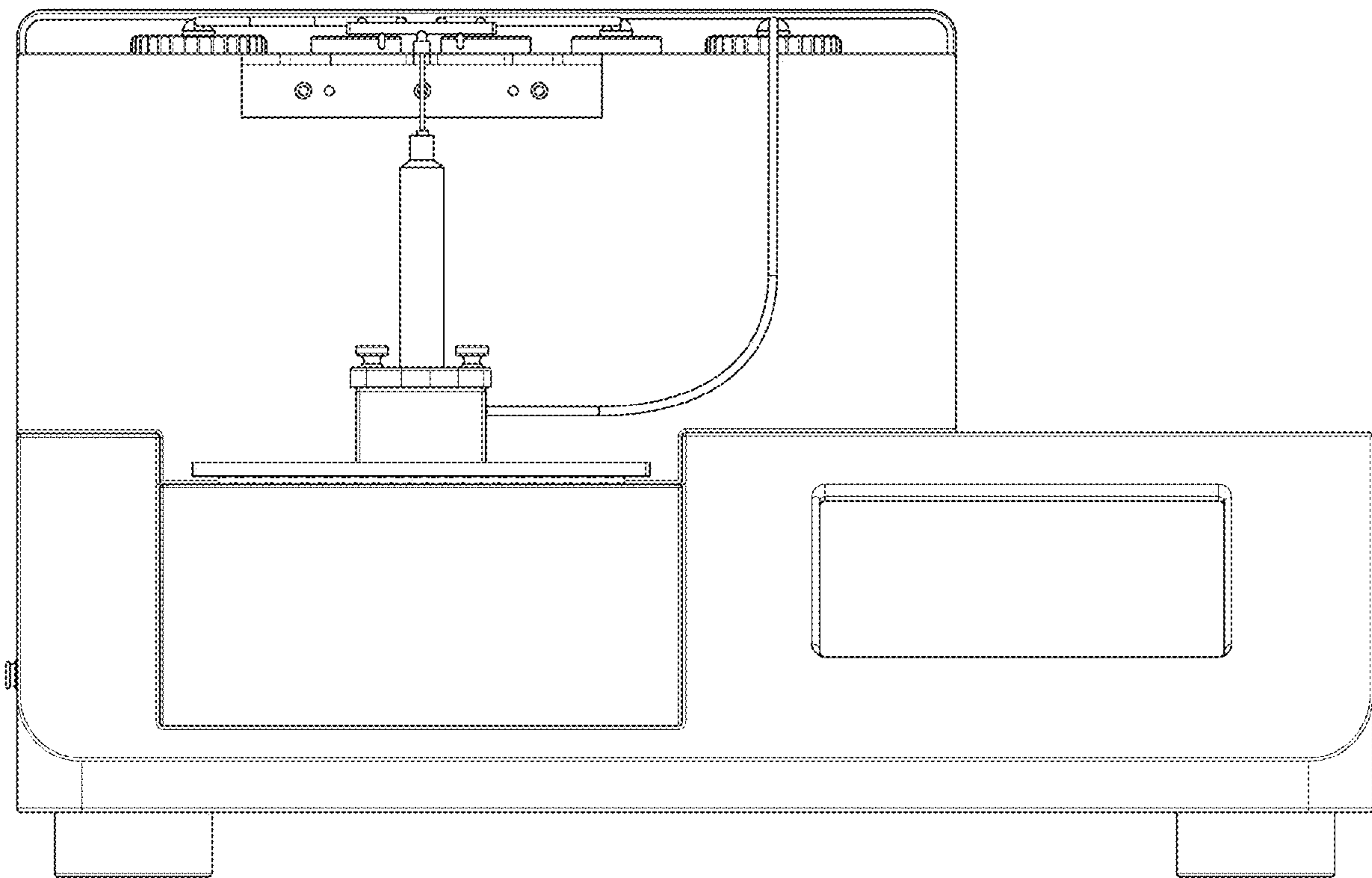


FIG. 2

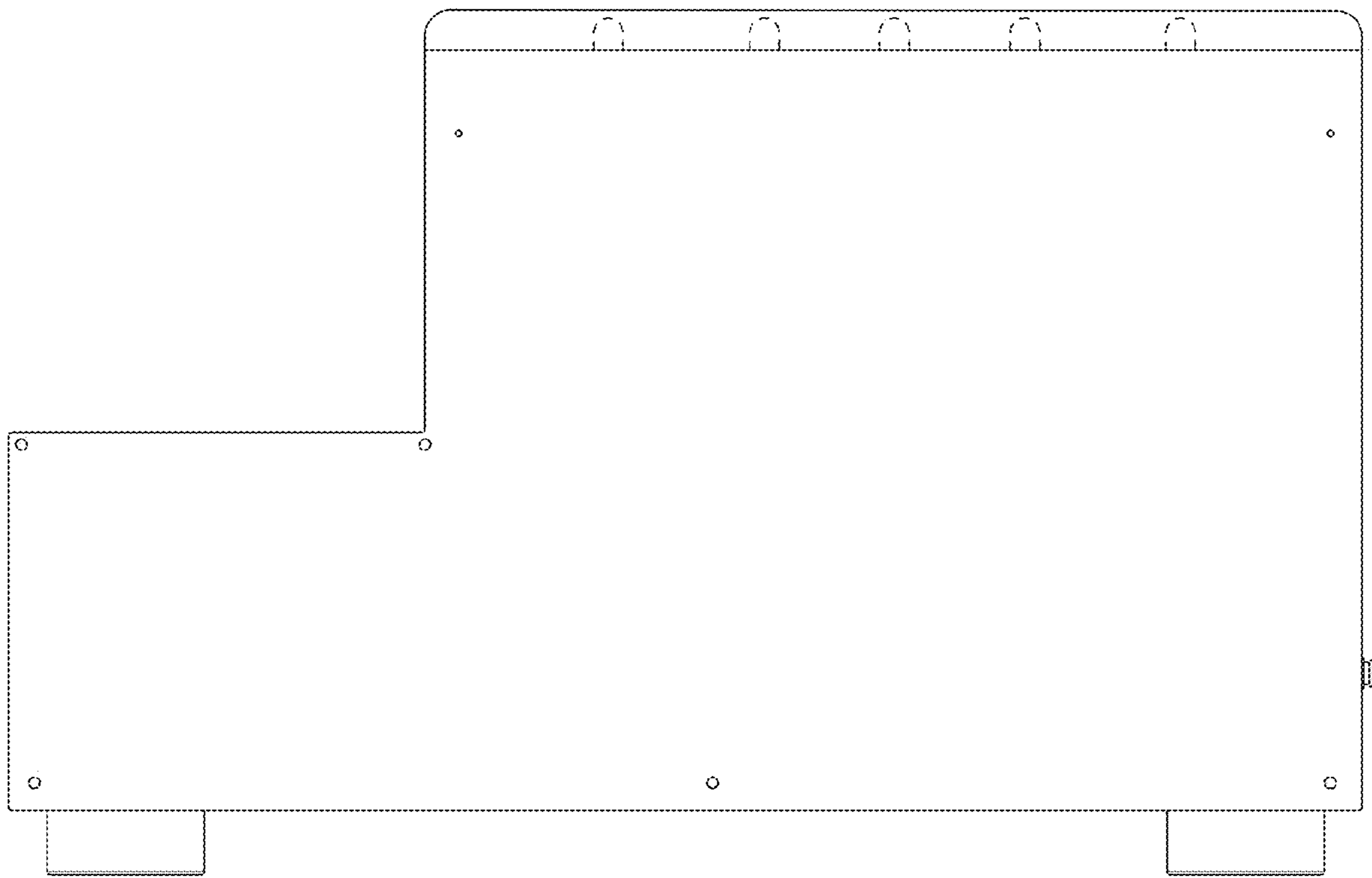


FIG. 3

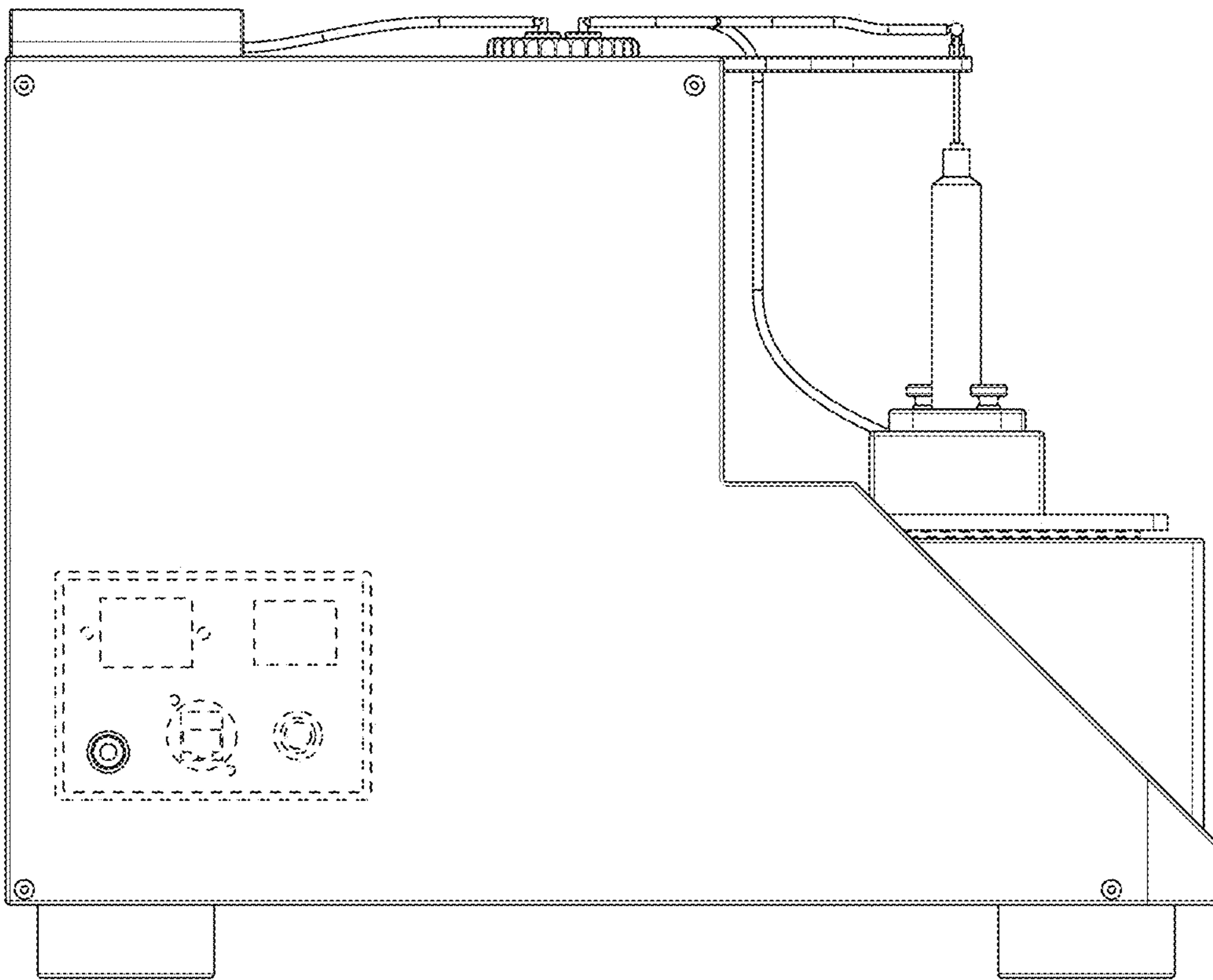


FIG. 4



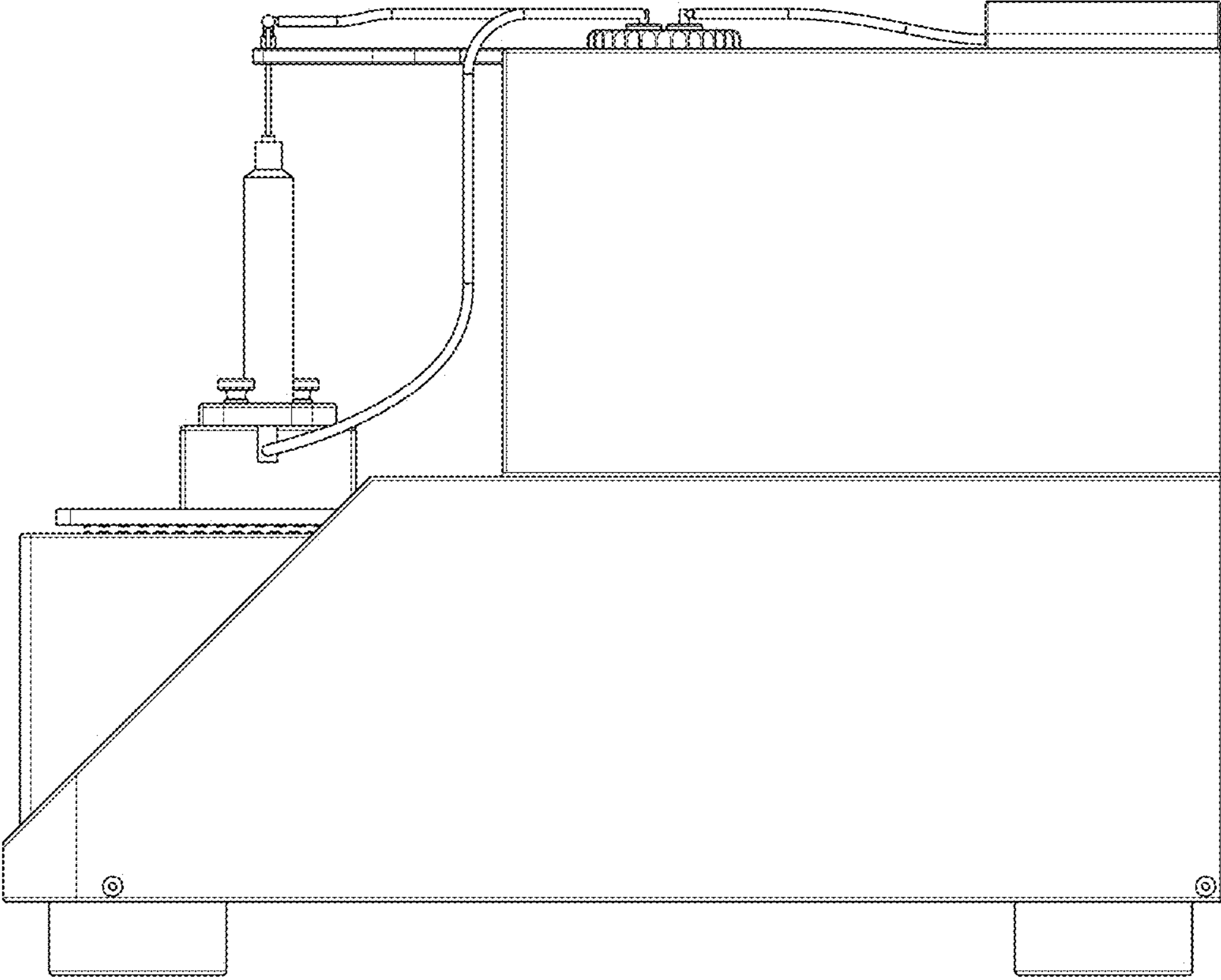


FIG. 5

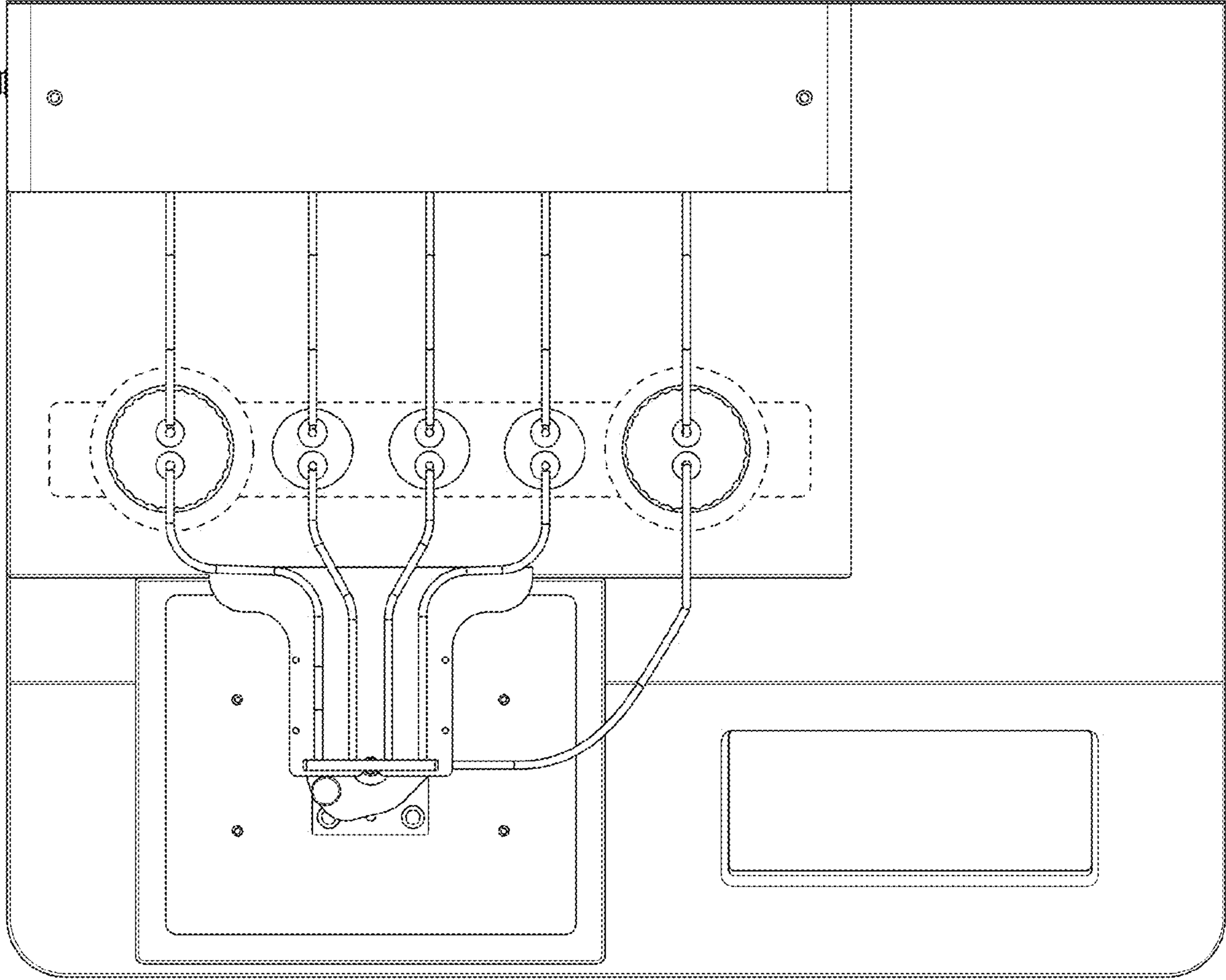


FIG. 6