



US00D900890S

(12) **United States Design Patent** (10) **Patent No.:** **US D900,890 S**  
**Kim et al.** (45) **Date of Patent:** **\*\* Nov. 3, 2020**

(54) **REFRIGERATOR**

(56) **References Cited**

(71) Applicant: **LG Electronics Inc.**, Seoul (KR)  
(72) Inventors: **Yong Kim**, Seoul (KR); **Kyukwan Choi**, Seoul (KR); **Minsub Kim**, Seoul (KR)  
(73) Assignee: **LG ELECTRONICS INC.**, Seoul (KR)  
(\*\*) Term: **15 Years**

U.S. PATENT DOCUMENTS

D615,565 S *	5/2010	Kristiansen .....	D15/86
D629,022 S *	12/2010	Cho .....	D15/85
D656,967 S *	4/2012	Yi .....	D15/86
D673,189 S *	12/2012	Kwak .....	D15/86
D681,075 S *	4/2013	Yi .....	D15/86
D691,644 S *	10/2013	Cho .....	D15/86
D701,539 S *	3/2014	Saejin .....	D15/85
D702,739 S *	4/2014	Kim .....	D15/86
D724,629 S *	3/2015	Choi .....	D15/85
D729,286 S *	5/2015	Kwak .....	D15/85
D732,584 S *	6/2015	Sin .....	D15/86

(Continued)

(21) Appl. No.: **35/507,180**

*Primary Examiner* — Richard E Chilcot

(22) Filed: **Jan. 29, 2019**

(74) *Attorney, Agent, or Firm* — Birch, Stewart, Kolasch & Birch, LLP

(80) **Hague Agreement Data**

Int. Filing Date: **Jan. 29, 2019**  
Int. Reg. No.: **DM/201279**  
Int. Reg. Date: **Jan. 29, 2019**  
Int. Reg. Pub. Date: **Aug. 2, 2019**

(57) **CLAIM**

The ornamental design for a refrigerator, as shown and described.

(51) **LOC (12) Cl.** ..... **15-07**

(52) **U.S. Cl.**  
USPC ..... **D15/79**  
CPC ..... **F25D 25/025** (2013.01)

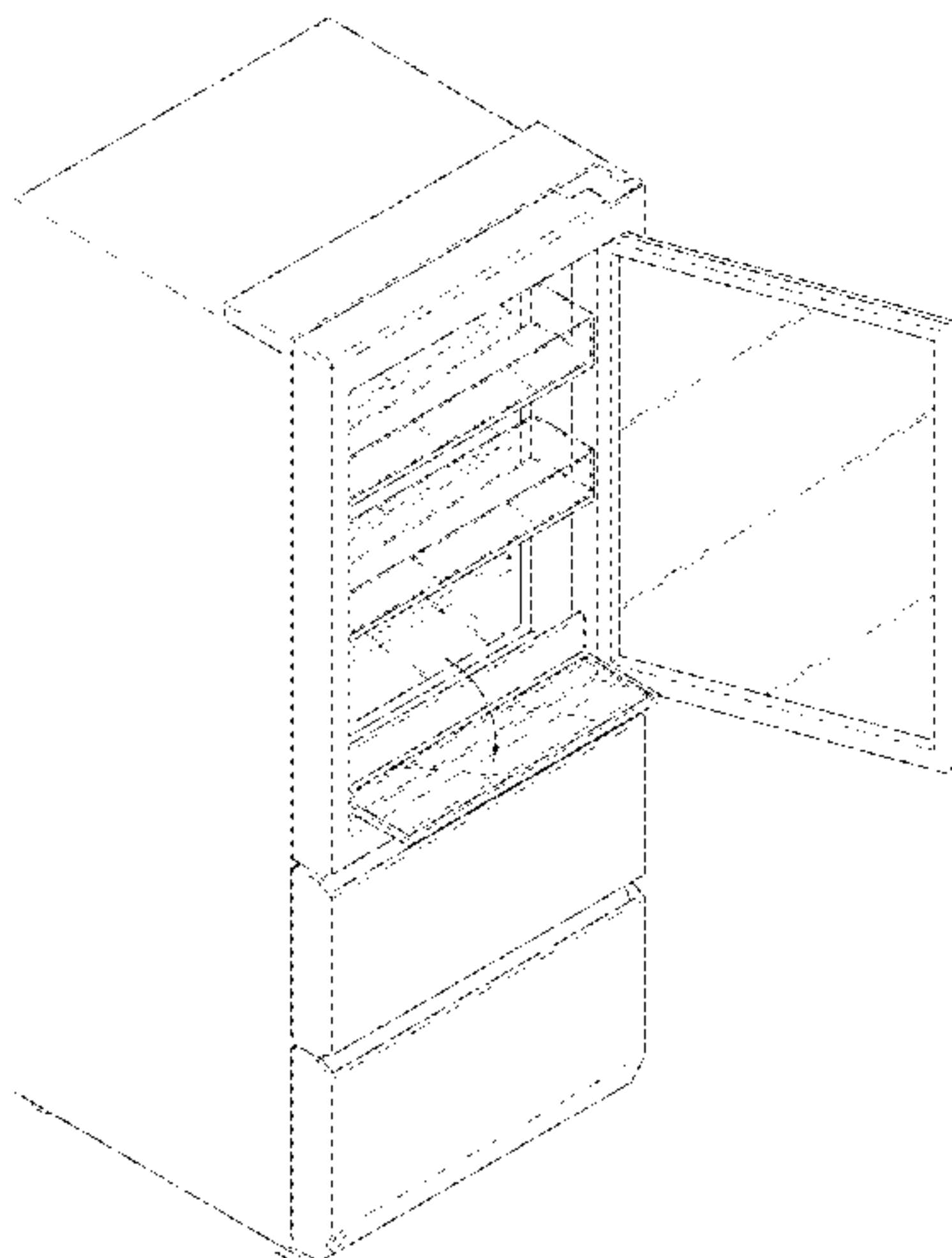
**DESCRIPTION**

(58) **Field of Classification Search**  
USPC ..... D15/79–91  
CPC ..... F25D 25/025; F25D 23/028; F25D 2323/024; F25D 23/00; F25D 23/02; F25D 2323/021; F25D 23/065; F25D 11/00; F25D 2201/14; F25D 23/021; F25D 23/025; F25D 23/04; F25D 27/00; F25D 23/062; F25D 23/067; F25D 2400/18; F25D 23/08; F25D 23/085; F25D 2500/02; F25D 25/00; F25D 25/005; F25D 25/022; F25D 25/024; F25D 17/047; F25D 2317/041; F25D 2317/04131; F25D 2317/043; F25D 2317/0664; F25D 2321/147; F25D 2323/02; F25D 2323/023

1. Refrigerator  
Reproduction **1.1** is a front perspective view of the refrigerator;  
Reproduction **1.2** is a front view thereof;  
Reproduction **1.3** is a back view thereof;  
Reproduction **1.4** is a left view thereof;  
Reproduction **1.5** is a right view thereof;  
Reproduction **1.6** is a top view thereof;  
Reproduction **1.7** is a bottom view thereof;  
Reproduction **1.8** is a reference view showing the status in which the inside can be seen through the front glass;  
Reproduction **1.9** is a reference view showing the state in which the outer door has been opened;  
Reproduction **1.10** is a reference view showing the use state in which the mini-table has been unfolded; and  
Reproduction **1.11** is a reference view showing the outer door and inner door have been opened.

See application file for complete search history.

(Continued)



The broken lines depict portions of the refrigerator that form no part of the claimed design; the fine lines on the drawings indicate the flat surface, curved surface or transparent materials.

**1 Claim, 11 Drawing Sheets**

(56)

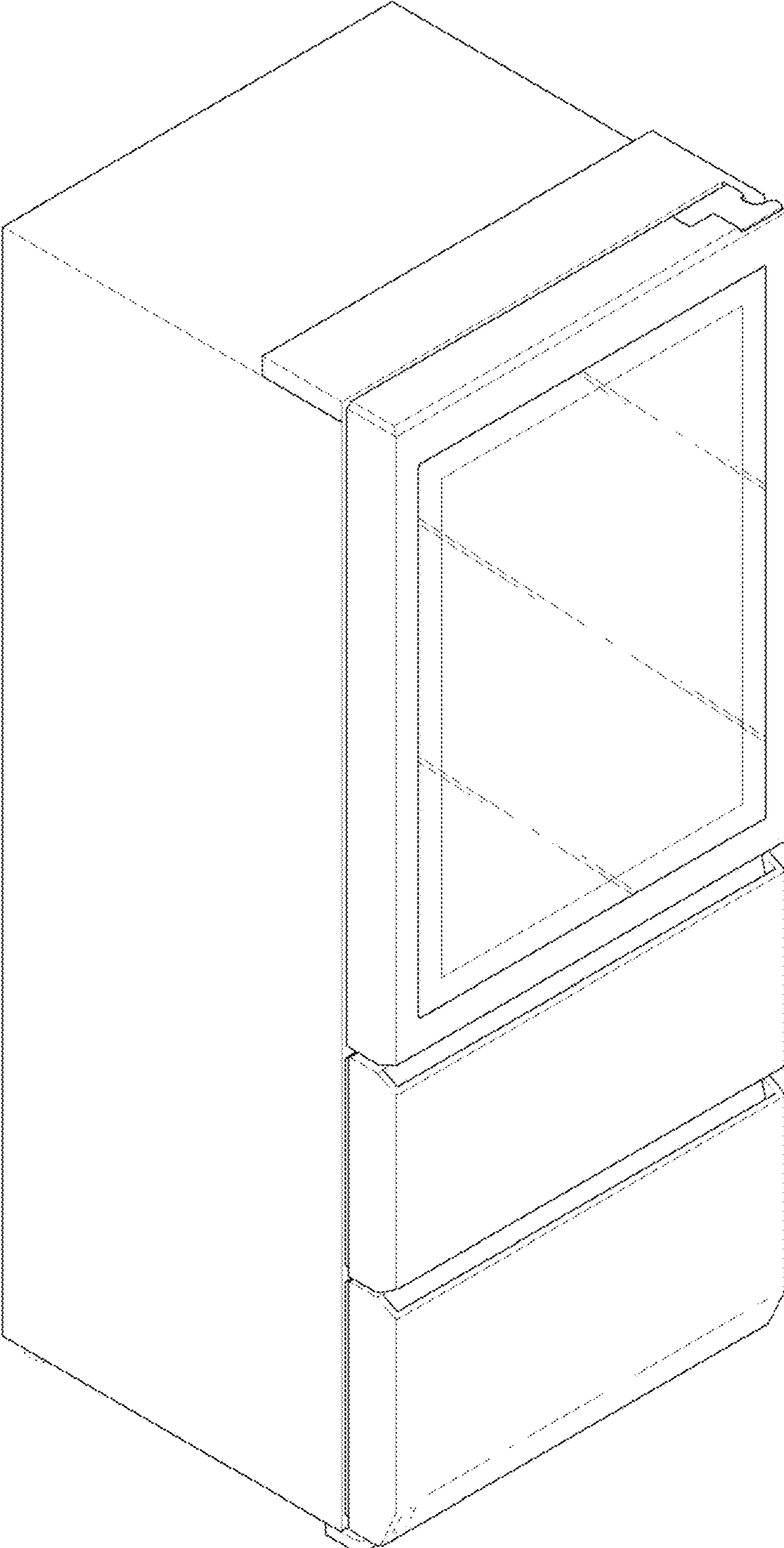
**References Cited**

U.S. PATENT DOCUMENTS

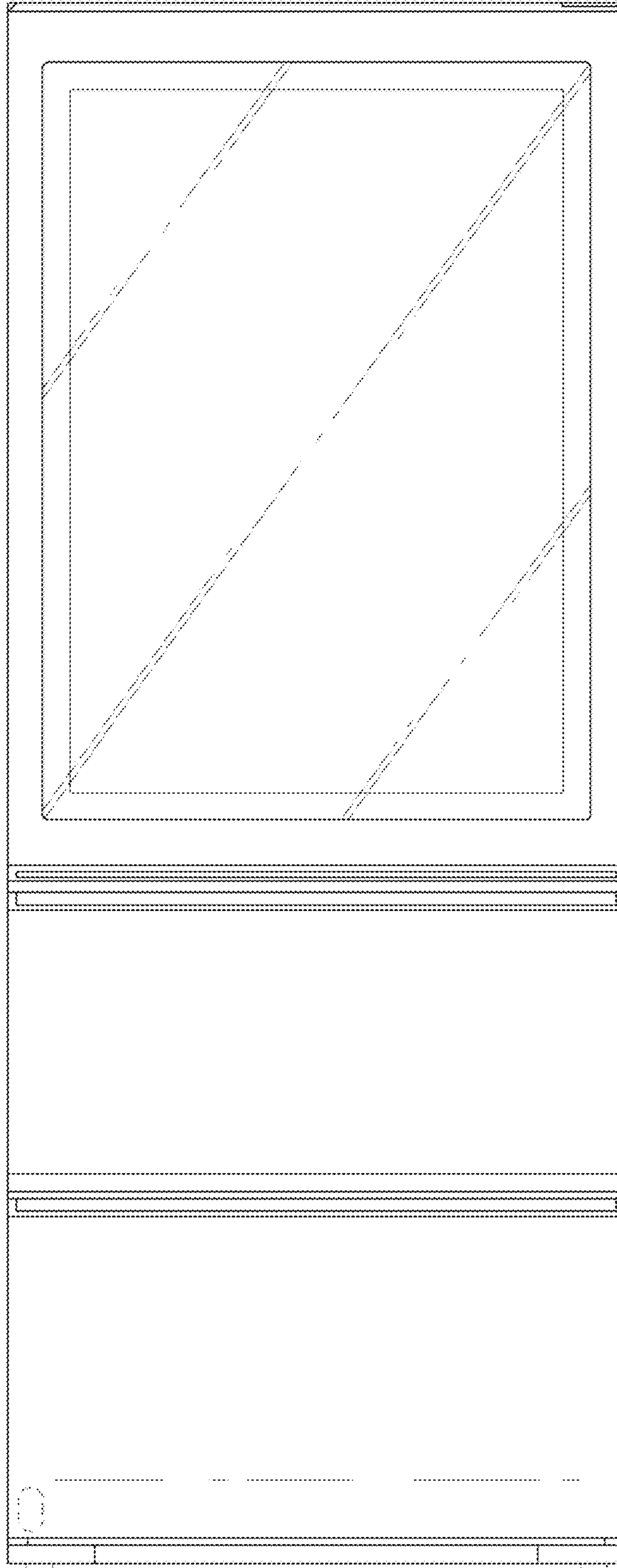
D742,434 S	*	11/2015	Yeo .....	D15/86
D767,648 S	*	9/2016	Shoemaker .....	D15/86
D826,998 S	*	8/2018	Lee .....	D15/91

\* cited by examiner

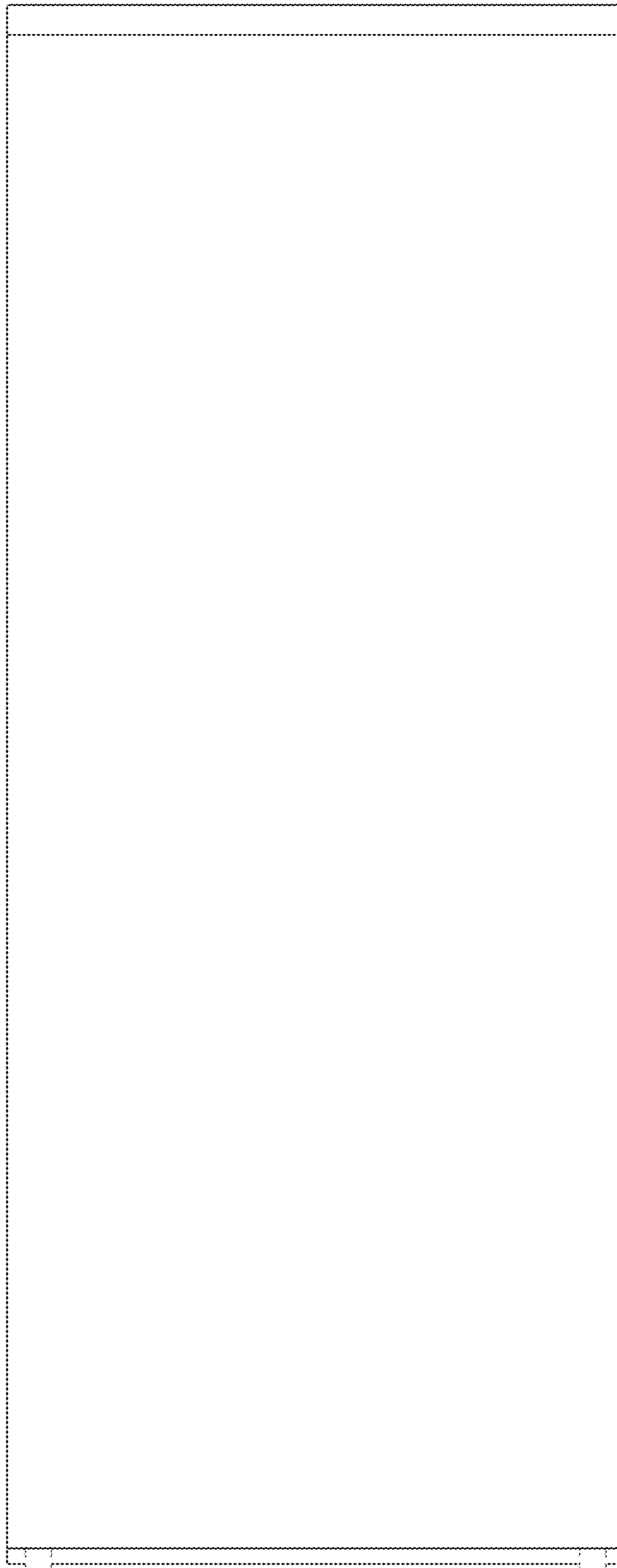
1.1



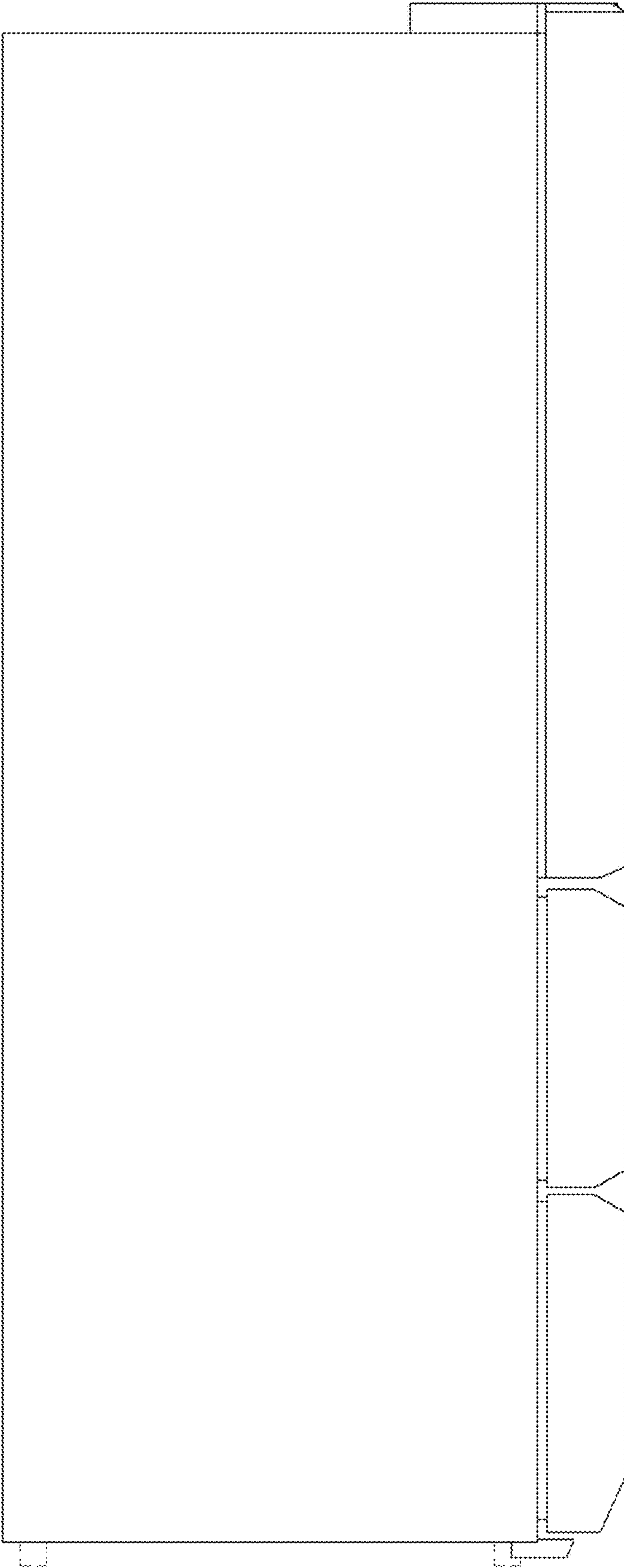
1.2



1.3

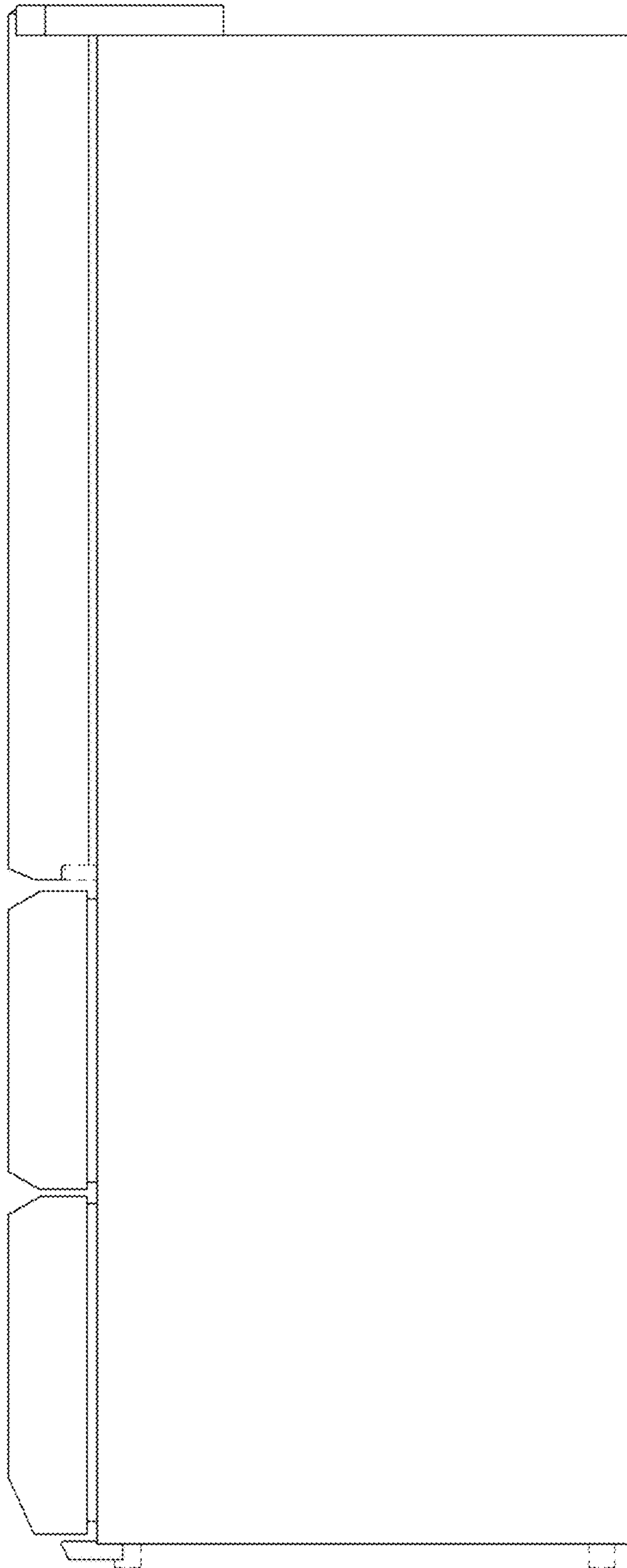


1.4

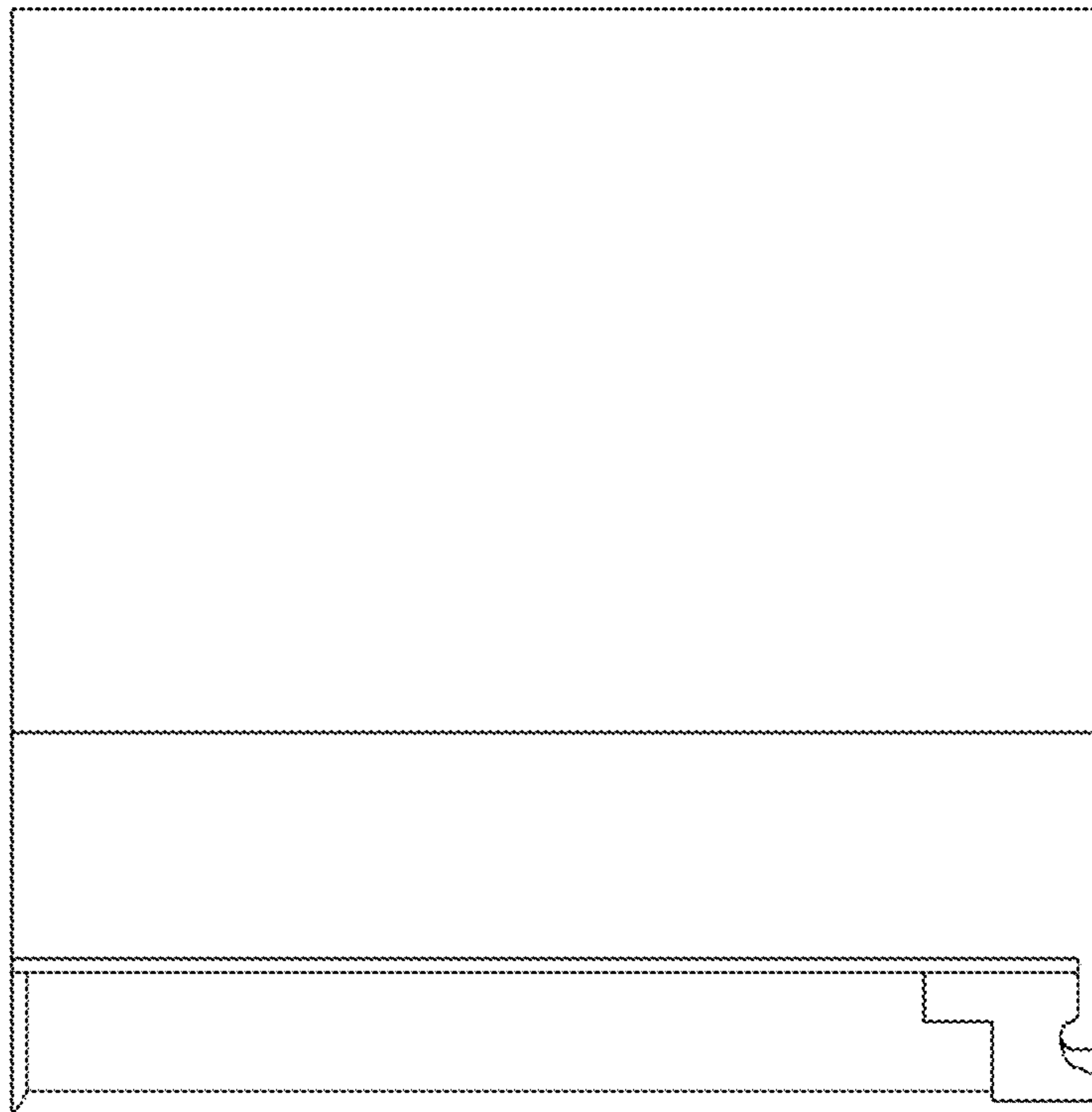




1.5

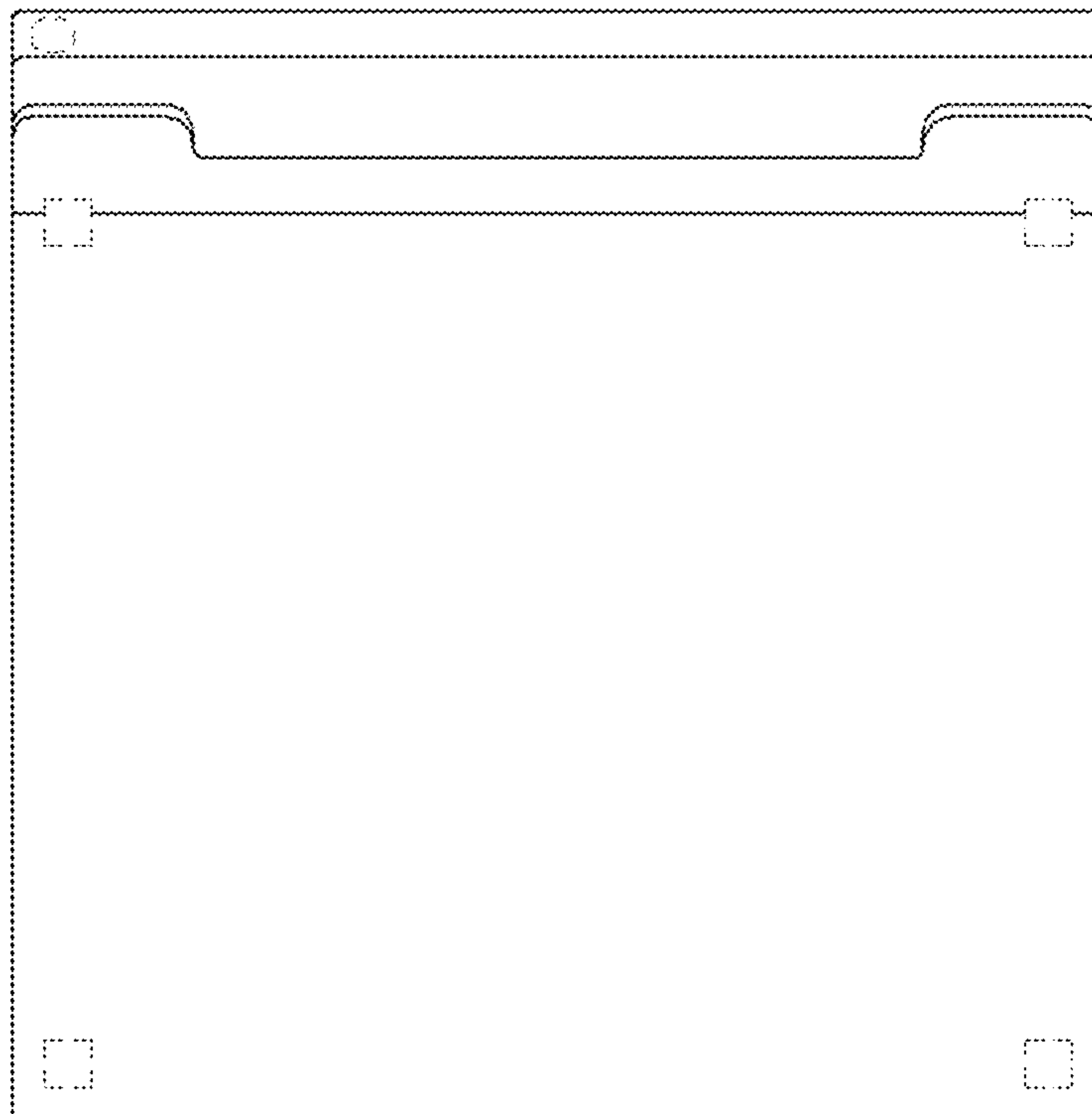


1.6

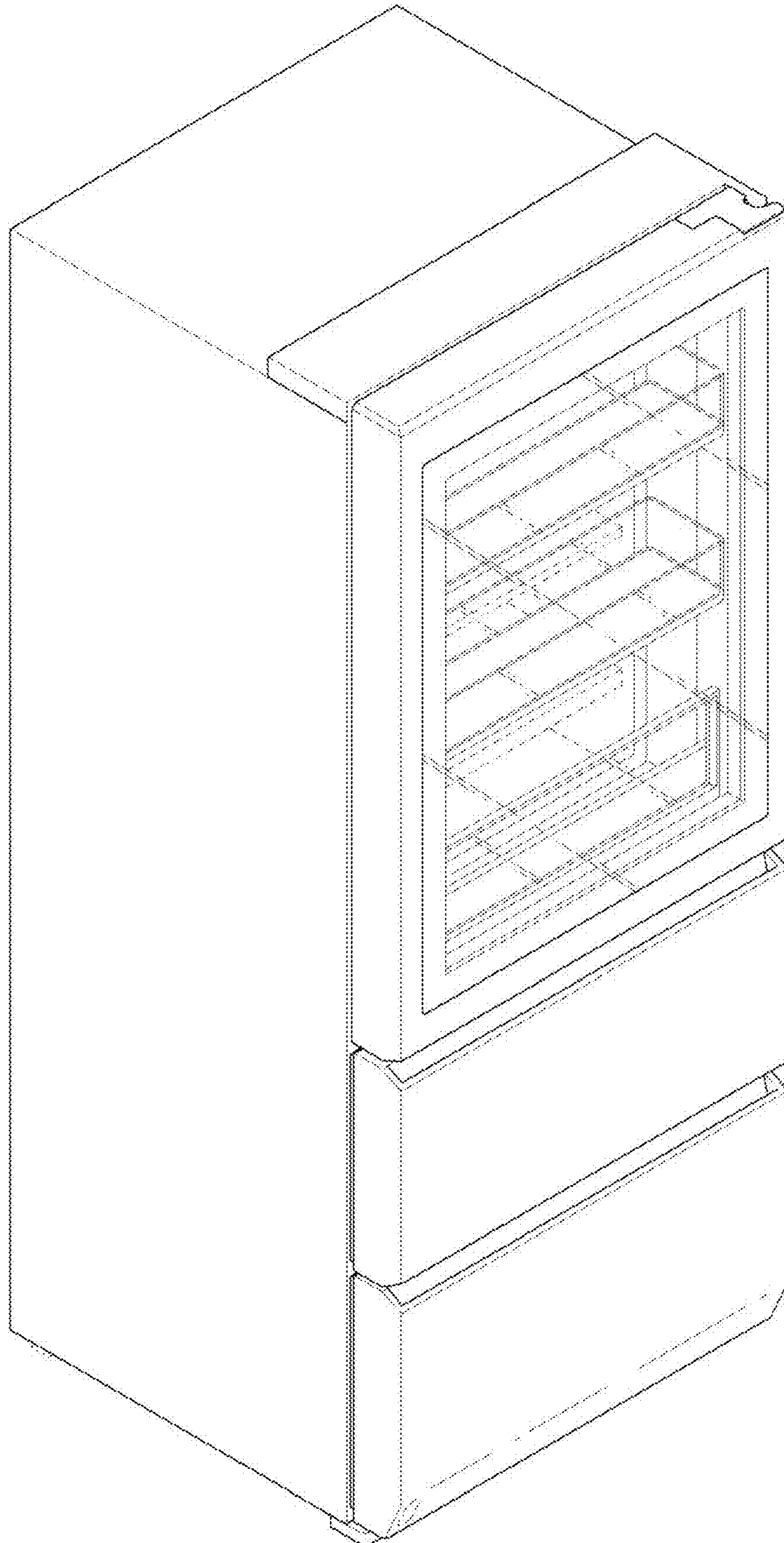




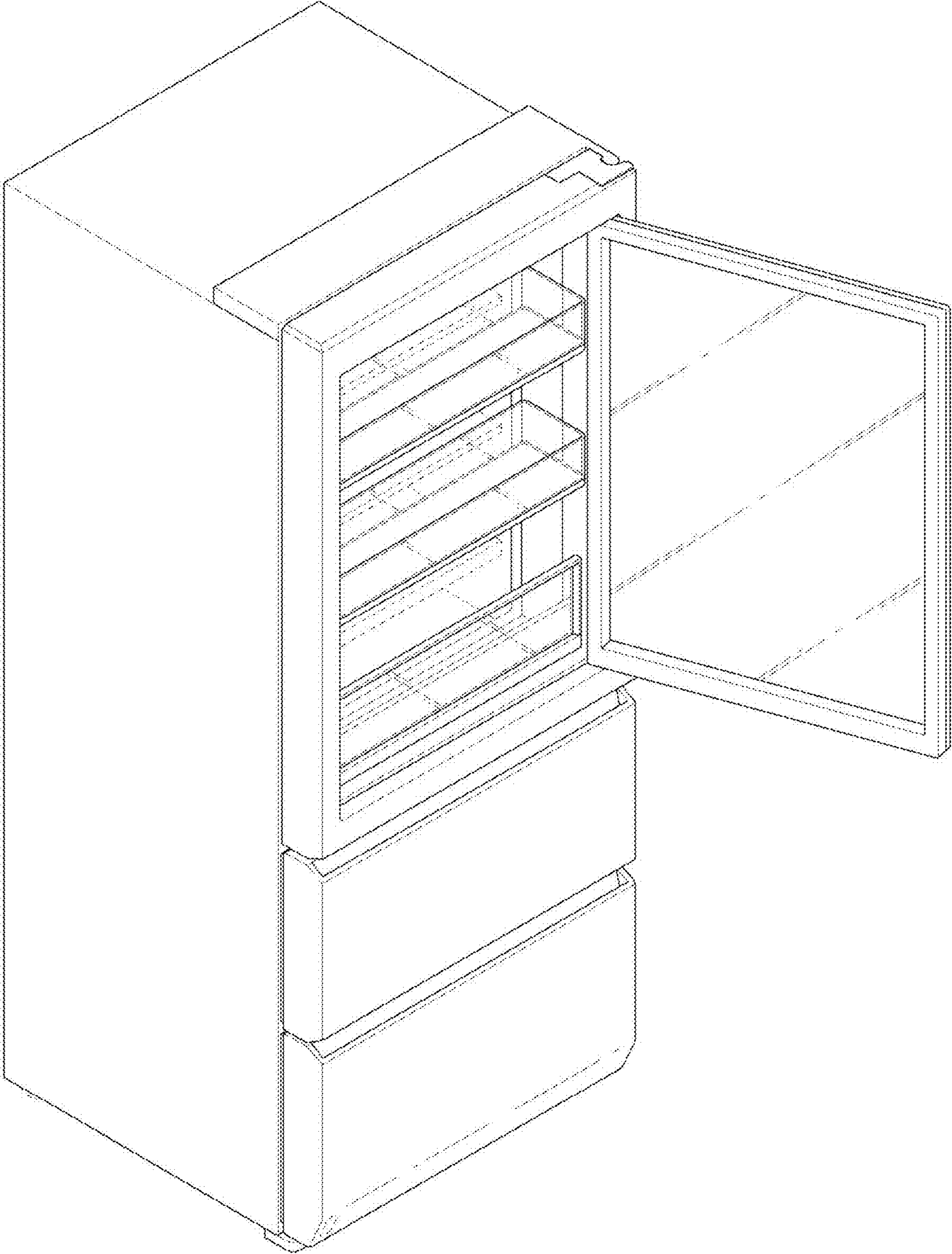
1.7



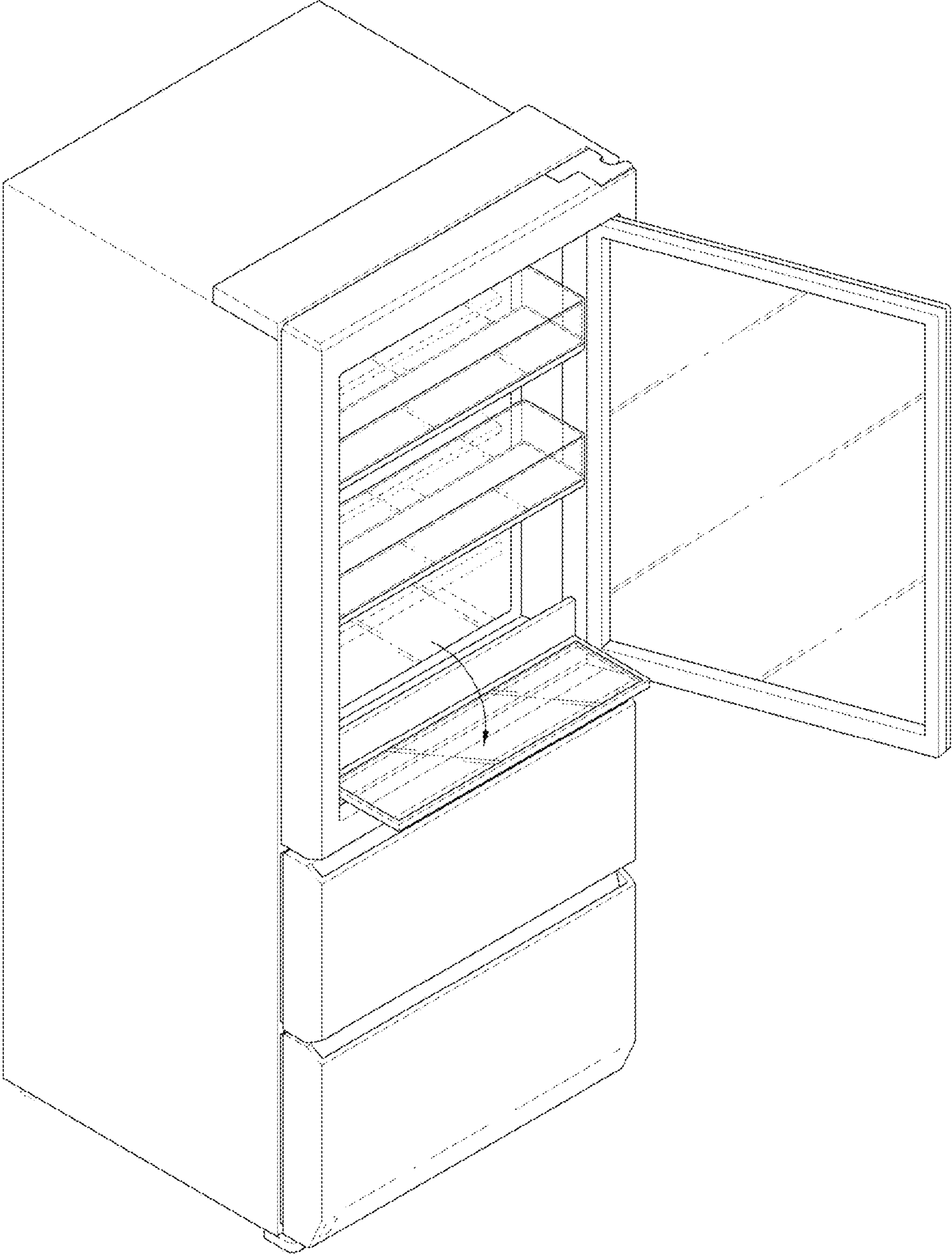
1.8



1.9



1.10





1.11

