



US00D900889S

(12) **United States Design Patent** (10) **Patent No.:** **US D900,889 S**
Kim et al. (45) **Date of Patent:** **** Nov. 3, 2020**

(54) **REFRIGERATOR**

(56) **References Cited**

(71) Applicant: **LG Electronics Inc.**, Seoul (KR)
(72) Inventors: **Yong Kim**, Seoul (KR); **Kyukwan Choi**, Seoul (KR); **Minsub Kim**, Seoul (KR)
(73) Assignee: **LG ELECTRONICS INC.**, Seoul (KR)
(**) Term: **15 Years**
(21) Appl. No.: **35/507,175**
(22) Filed: **Jan. 29, 2019**

U.S. PATENT DOCUMENTS

D615,565	S	*	5/2010	Kristiansen	D15/86
D629,022	S	*	12/2010	Cho	D15/85
D656,967	S	*	4/2012	Yi	D15/86
D673,189	S	*	12/2012	Kwak	D15/86
D681,075	S	*	4/2013	Yi	D15/86
D691,644	S	*	10/2013	Cho	D15/86
D701,539	S	*	3/2014	Saejin	D15/85
D702,739	S	*	4/2014	Kim	D15/86
D724,629	S	*	3/2015	Choi	D15/85
D729,286	S	*	5/2015	Kwak	D15/85
D732,584	S	*	6/2015	Sin	D15/86
D742,434	S	*	11/2015	Yeo	D15/86
D767,648	S	*	9/2016	Shoemaker	D15/86
D826,998	S	*	8/2018	Lee	D15/91

* cited by examiner

(80) **Hague Agreement Data**

Int. Filing Date: **Jan. 29, 2019**
Int. Reg. No.: **DM/201101**
Int. Reg. Date: **Jan. 29, 2019**
Int. Reg. Pub. Date: **Aug. 2, 2019**

Primary Examiner — Richard E Chilcot
(74) *Attorney, Agent, or Firm* — Birch, Stewart, Kolasch & Birch, LLP.

(51) **LOC (12) Cl.** **15-07**

(52) **U.S. Cl.**
USPC **D15/79**
CPC **F25D 25/025** (2013.01)

(57) **CLAIM**

The ornamental design for a refrigerator, as shown and described.

(58) **Field of Classification Search**

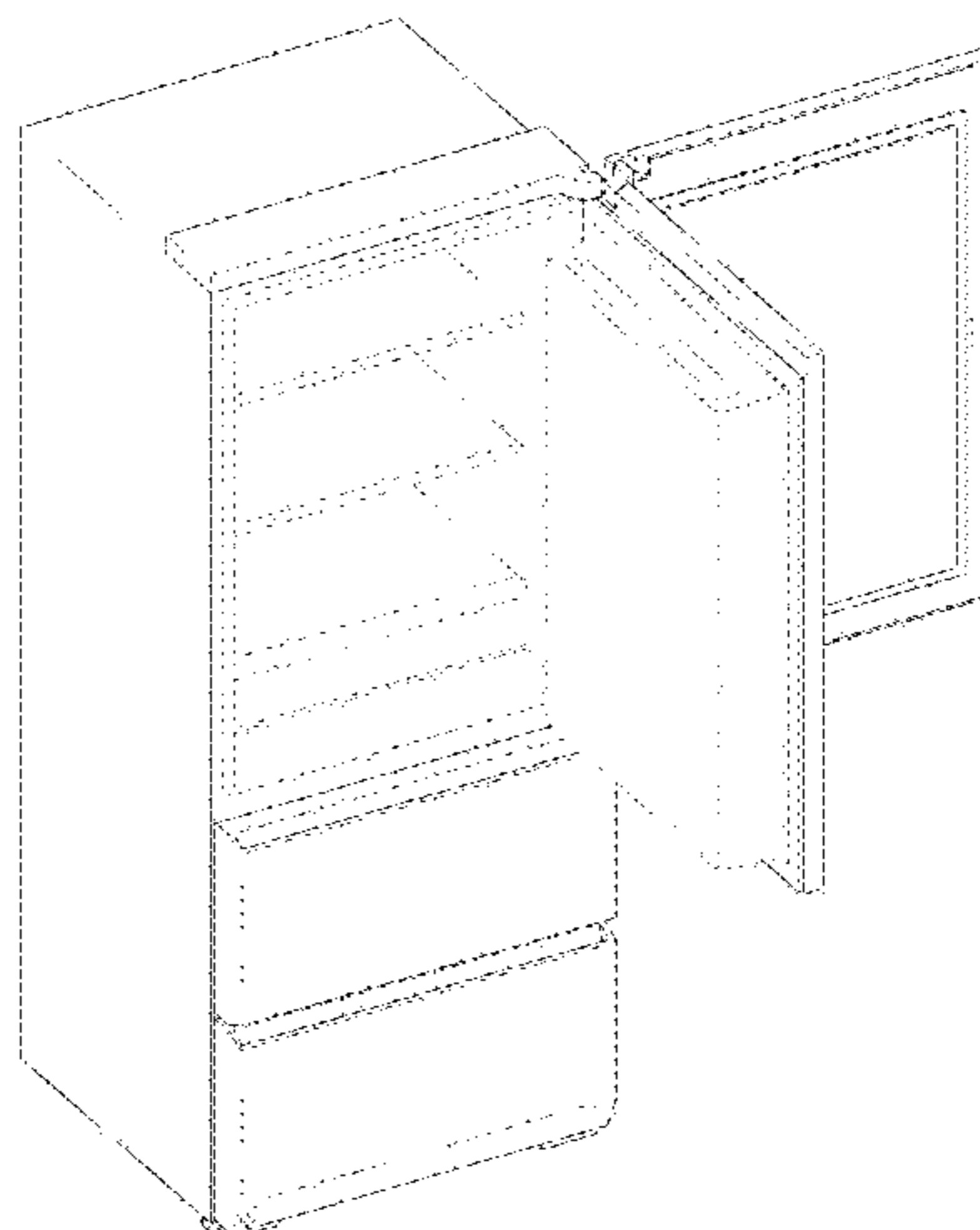
USPC D15/79-91
CPC F25D 25/025; F25D 23/028; F25D 2323/024; F25D 23/00; F25D 23/02; F25D 2323/021; F25D 23/065; F25D 11/00; F25D 2201/14; F25D 23/021; F25D 23/025; F25D 23/04; F25D 27/00; F25D 23/062; F25D 23/067; F25D 2400/18; F25D 23/08; F25D 23/085; F25D 2500/02; F25D 25/00; F25D 25/005; F25D 25/022; F25D 25/024; F25D 17/047; F25D 2317/041; F25D 2317/04131; F25D 2317/043; F25D 2317/0664; F25D 2321/147; F25D 2323/02; F25D 2323/023

DESCRIPTION

1. Refrigerator
Reproduction 1.1 is a front perspective view of the refrigerator;
Reproduction 1.2 is a front view thereof;
Reproduction 1.3 is a back view thereof;
Reproduction 1.4 is a left view thereof;
Reproduction 1.5 is a right view thereof;
Reproduction 1.6 is a top view thereof;
Reproduction 1.7 is a bottom view thereof;
Reproduction 1.8 is a reference view showing the state in which the outer door has been opened and the mini-table has been unfolded; and
Reproduction 1.9 is a reference view showing the outer door and inner door have been opened.

See application file for complete search history.

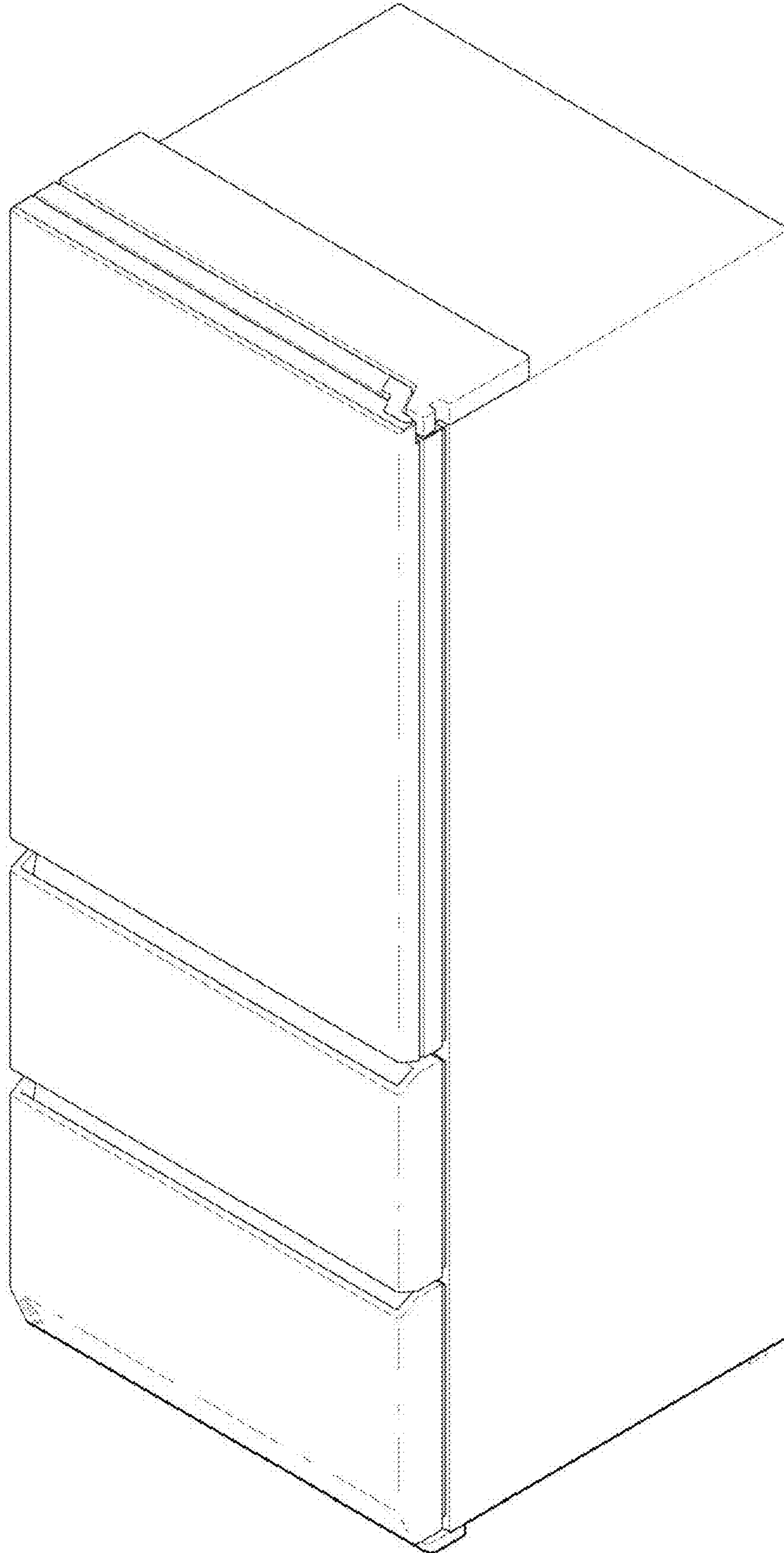
(Continued)



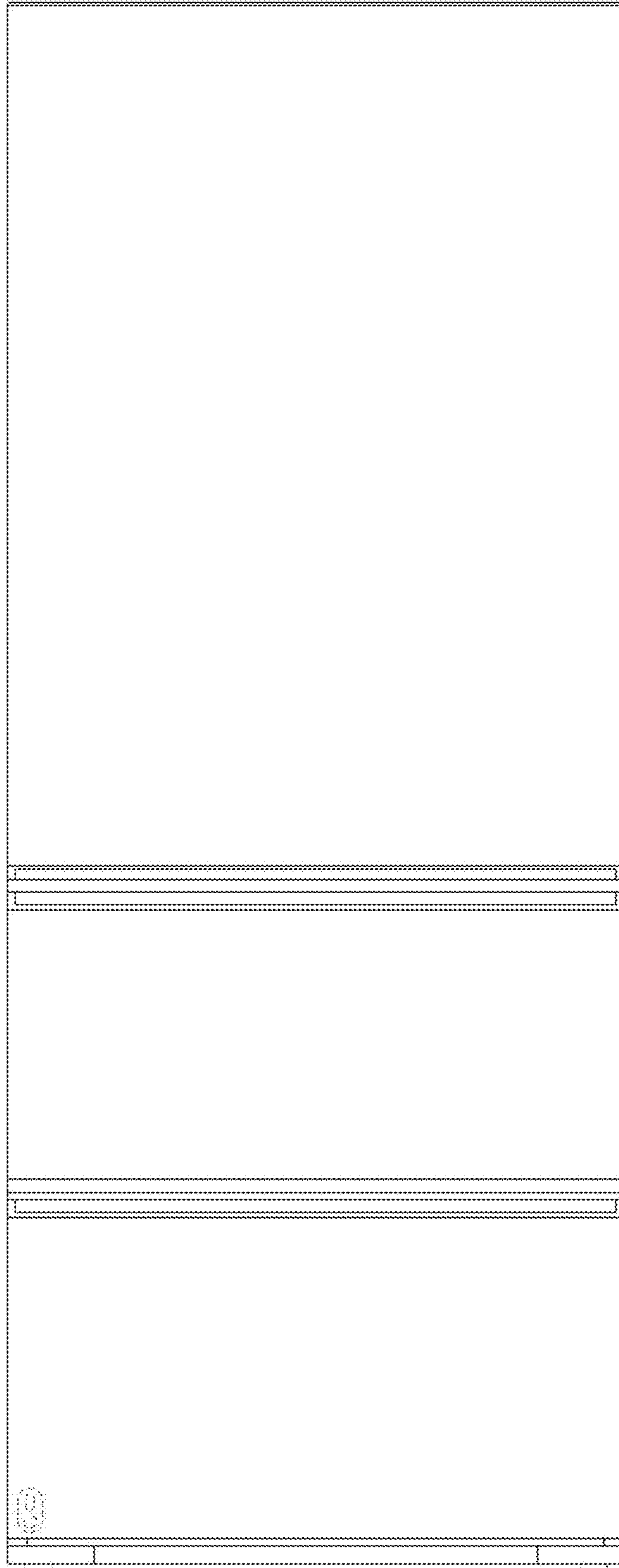
The broken lines depict portions of the refrigerator that form no part of the claimed design; the fine lines on the drawings indicate the curved surface.

1 Claim, 9 Drawing Sheets

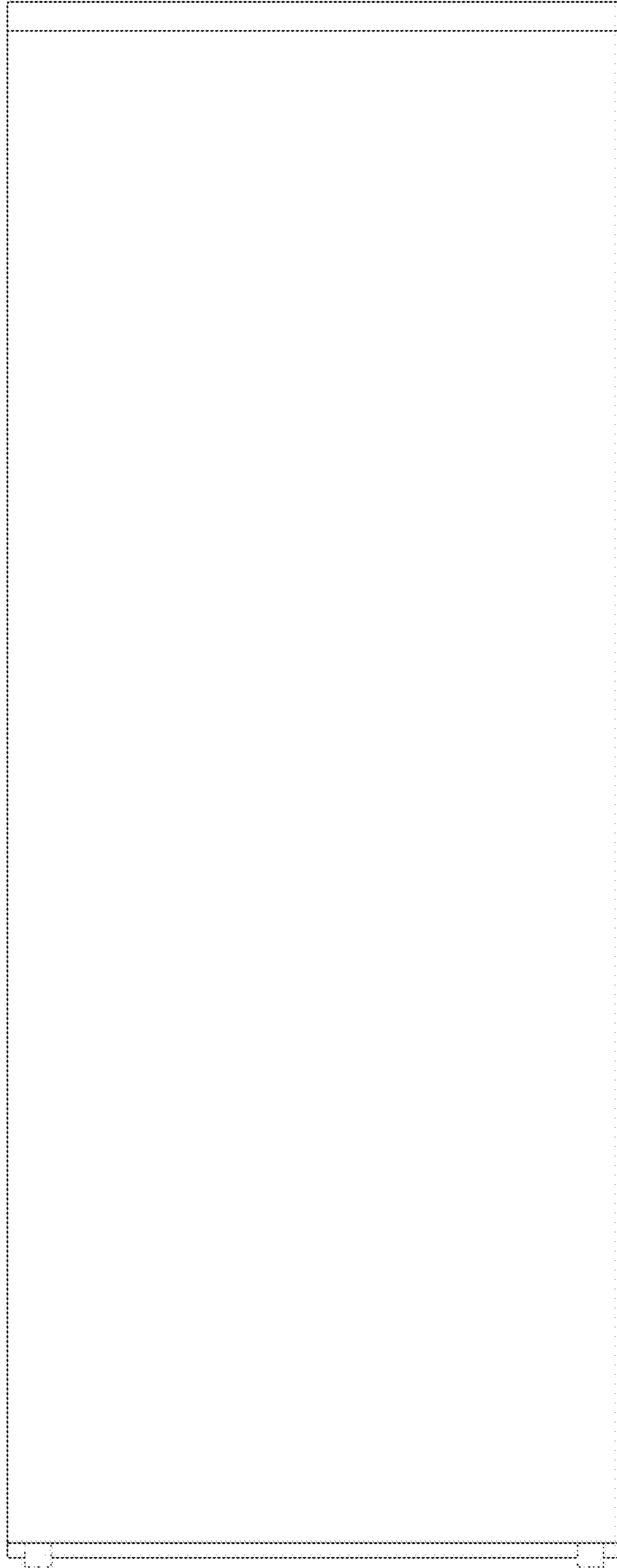
1.1



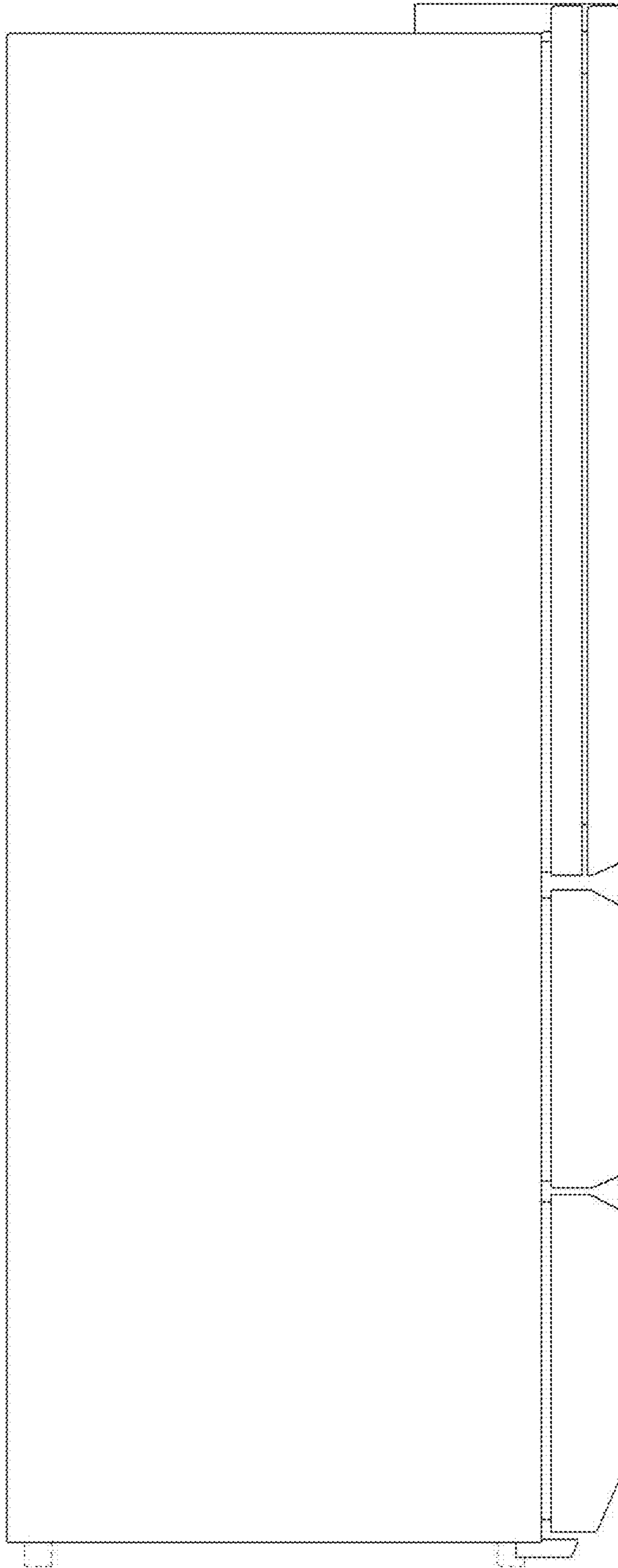
1.2



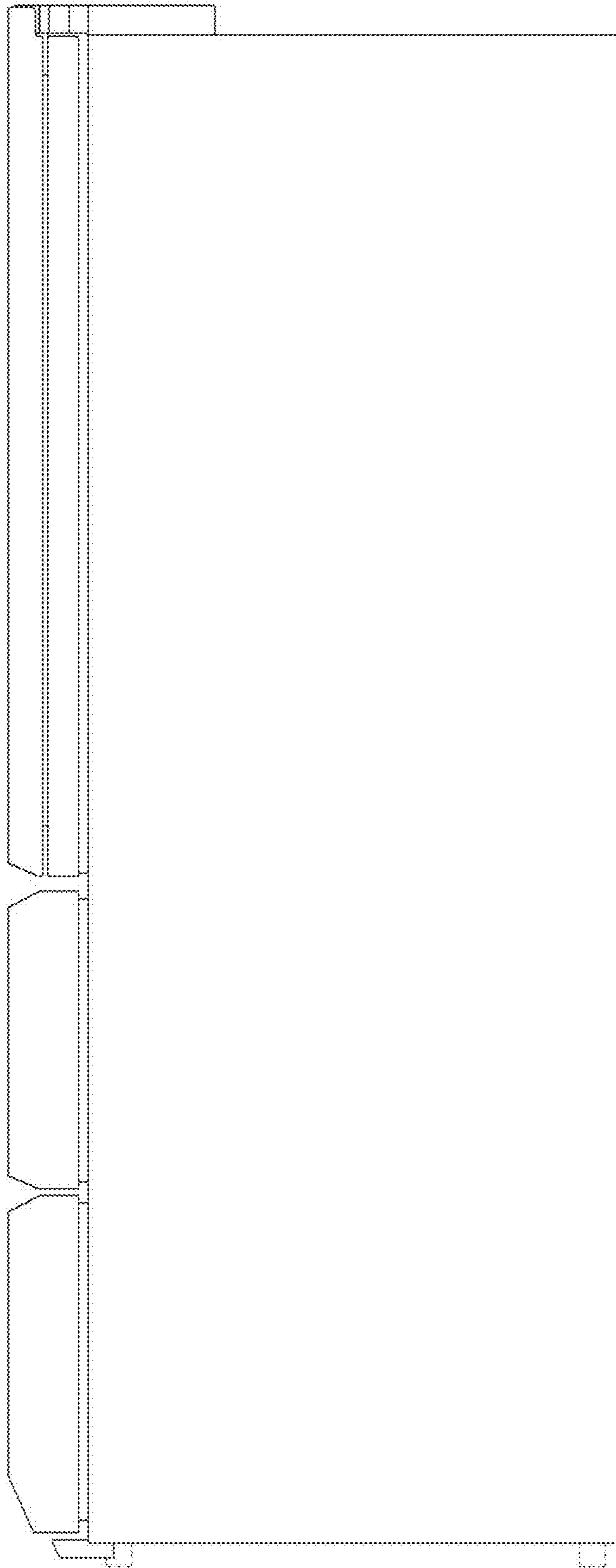
1.3



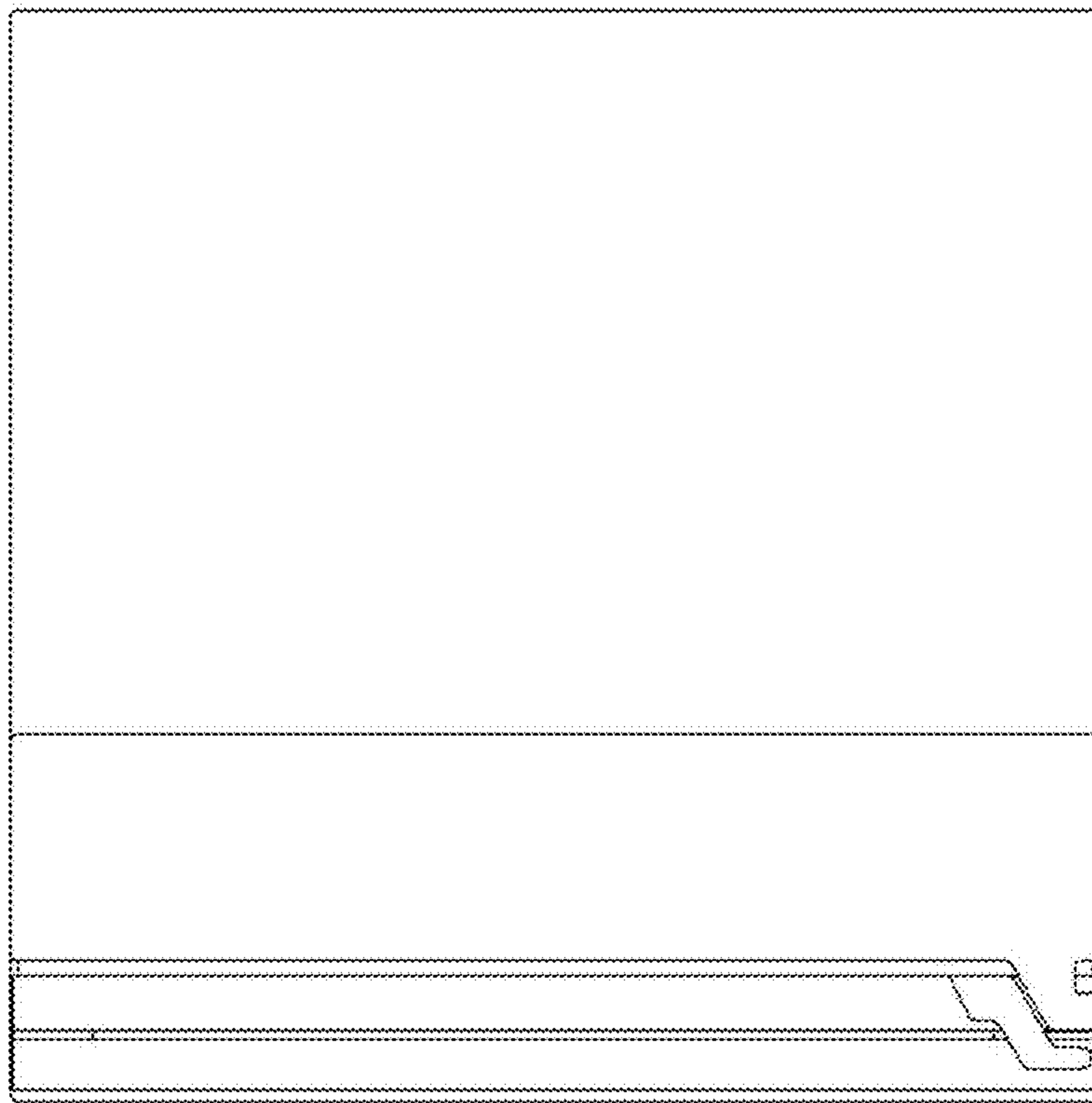
1.4



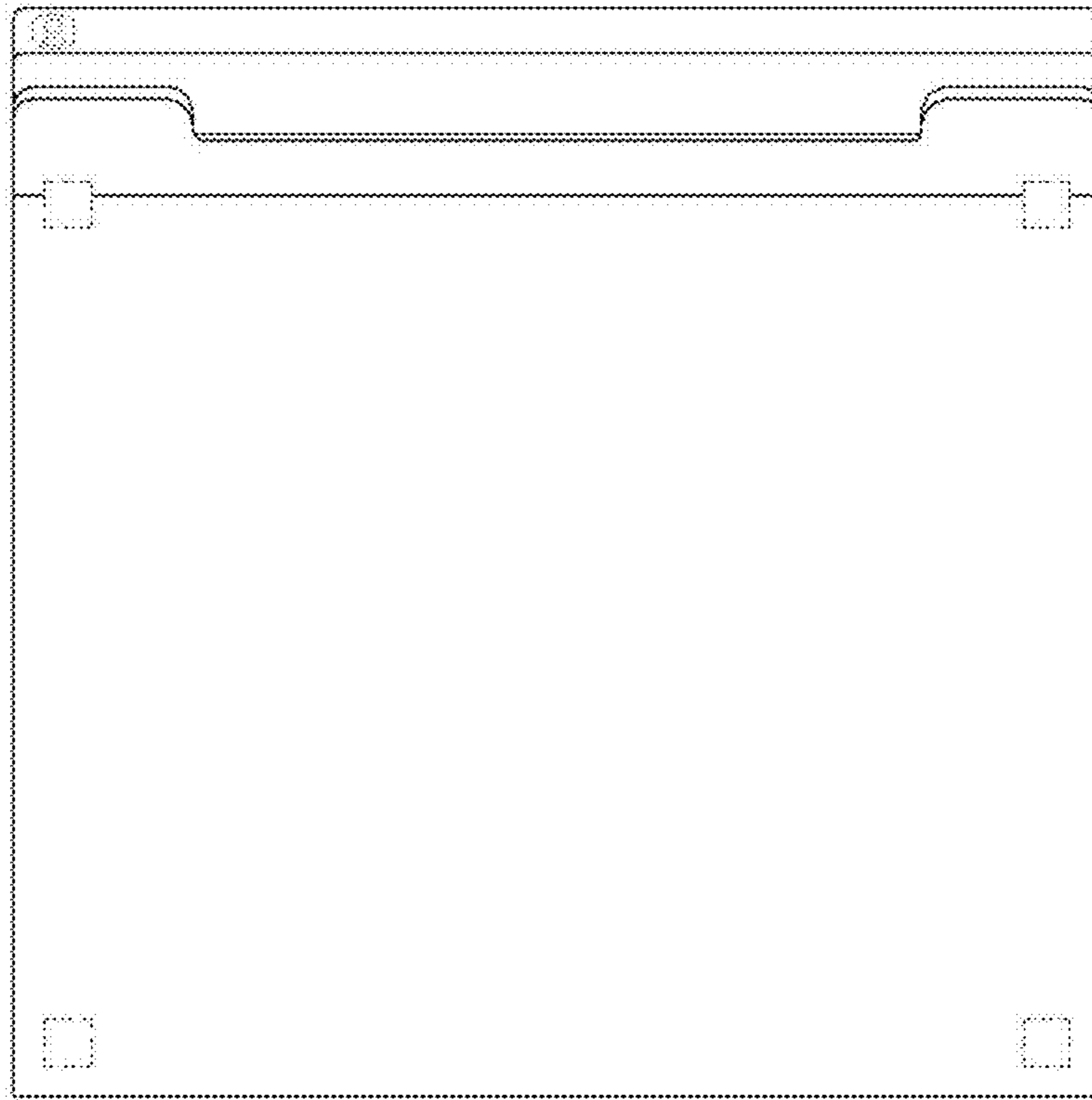
1.5



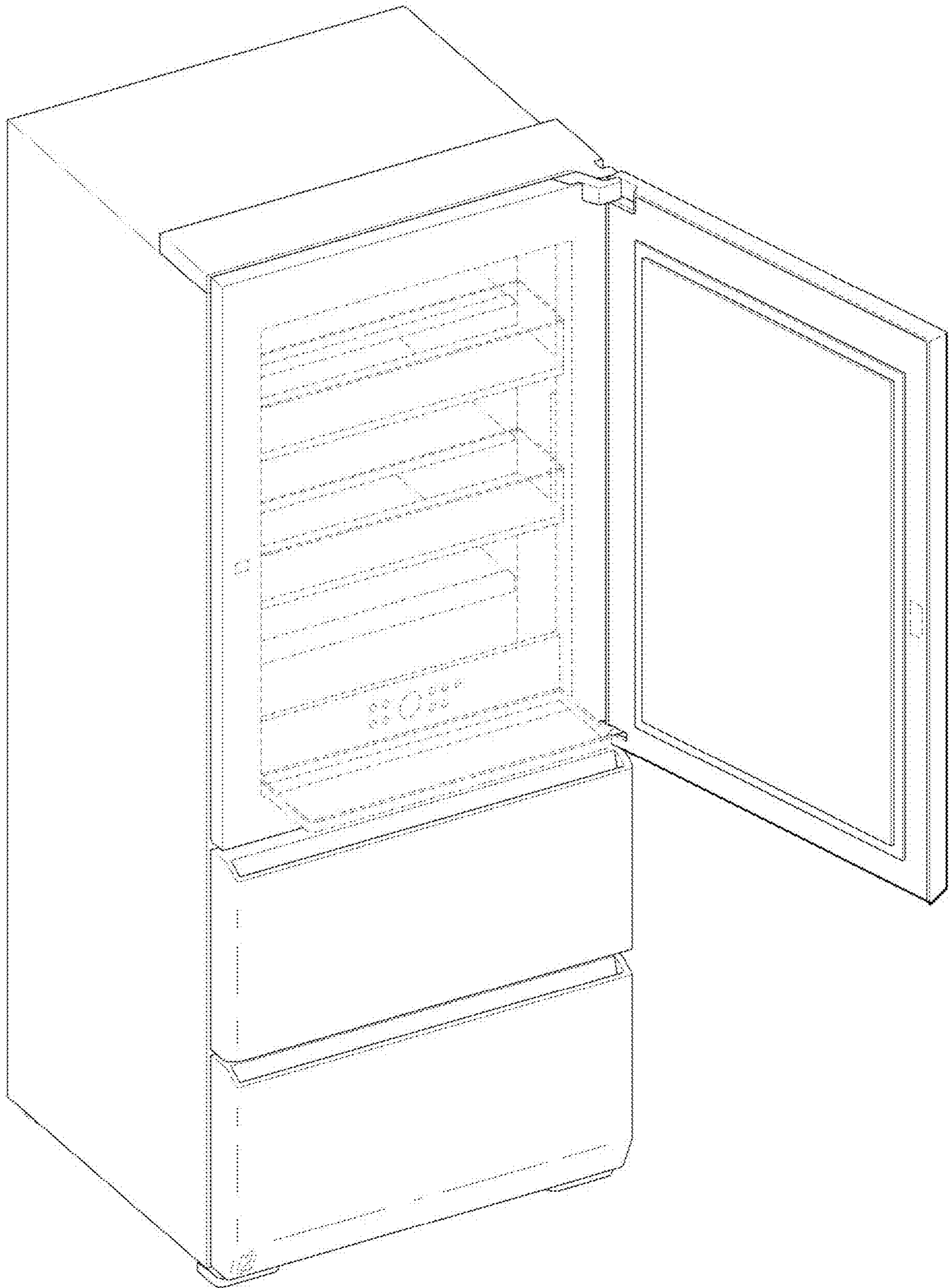
1.6



1.7



1.8



1.9

