



US00D900884S

(12) **United States Design Patent**
Palma et al.

(10) **Patent No.:** **US D900,884 S**

(45) **Date of Patent:** **** Nov. 3, 2020**

(54) **TRACTOR**

(71) Applicant: **ZETOR TRACTORS A.S.**, Brno (CZ)

(72) Inventors: **Alfredo Palma**, Turin (IT); **Guglielmo Cartia**, Marentino (IT); **Fabio Filippini**, Turin (IT)

(73) Assignee: **Zetor Tractors A.S.**, Brno (CZ)

(**) Term: **15 Years**

(21) Appl. No.: **29/668,248**

(22) Filed: **Oct. 29, 2018**

Related U.S. Application Data

(63) Continuation-in-part of application No. 35/502,522, filed on Nov. 7, 2016 (U.S. filing date under 35 U.S.C. 384), and having an international filing date of Nov. 7, 2016, now abandoned.

(51) **LOC (12) Cl.** **15-03**

(52) **U.S. Cl.**
USPC **D15/23**; D15/26
CPC **B62D 49/06** (2013.01)

(58) **Field of Classification Search**
USPC D15/10, 14, 15, 22-26, 33; 180/69.2,
180/89.1, 89.12, 900; 56/12.7, 15.8, 16.7,
56/13.3, 10.1, 202, 320.1
CPC A01B 51/026; B62D 49/06; B62D 33/06;
B62D 33/0604; B62D 33/0617; B62D
25/10; B60K 15/063; B60K 15/073;
B60K 2015/0637

See application file for complete search history.

(56) **References Cited**

U.S. PATENT DOCUMENTS

D329,435 S * 9/1992 Katoh D15/23
D364,408 S 11/1995 Bryant et al.
D387,068 S * 12/1997 Kato D15/23

D391,581 S * 3/1998 Kato D15/23
D405,807 S 2/1999 Amy et al.
D440,234 S * 4/2001 Katoh D15/23
D498,245 S * 11/2004 Kuwae D15/23
D519,130 S * 4/2006 Higashikawa D15/23
D519,131 S * 4/2006 Kuwae D15/23
D527,026 S * 8/2006 Kuwae D15/23
D555,674 S * 11/2007 Kuwae D15/23
D581,953 S 12/2008 Matsumoto et al.
D600,255 S 9/2009 Kushita et al.
D602,047 S * 10/2009 Kushita D15/23
D604,748 S 11/2009 Schmidt
D604,749 S * 11/2009 Kushita D15/23
D605,668 S 12/2009 Matsumoto et al.
D609,723 S 2/2010 Schmidt
D610,168 S 2/2010 Schmidt
D610,171 S 2/2010 Schmidt
D613,313 S 4/2010 Bhanuprakash
D613,777 S 4/2010 Bianco et al.
D641,027 S * 7/2011 Kawashiri D15/23
D668,270 S * 10/2012 Kushita D15/23
D674,819 S * 1/2013 Hagele D15/23
D678,353 S 3/2013 Kakudate et al.

(Continued)

Primary Examiner — Richard E Chilcot

(74) *Attorney, Agent, or Firm* — Blue Filament Law PLLC

(57) **CLAIM**

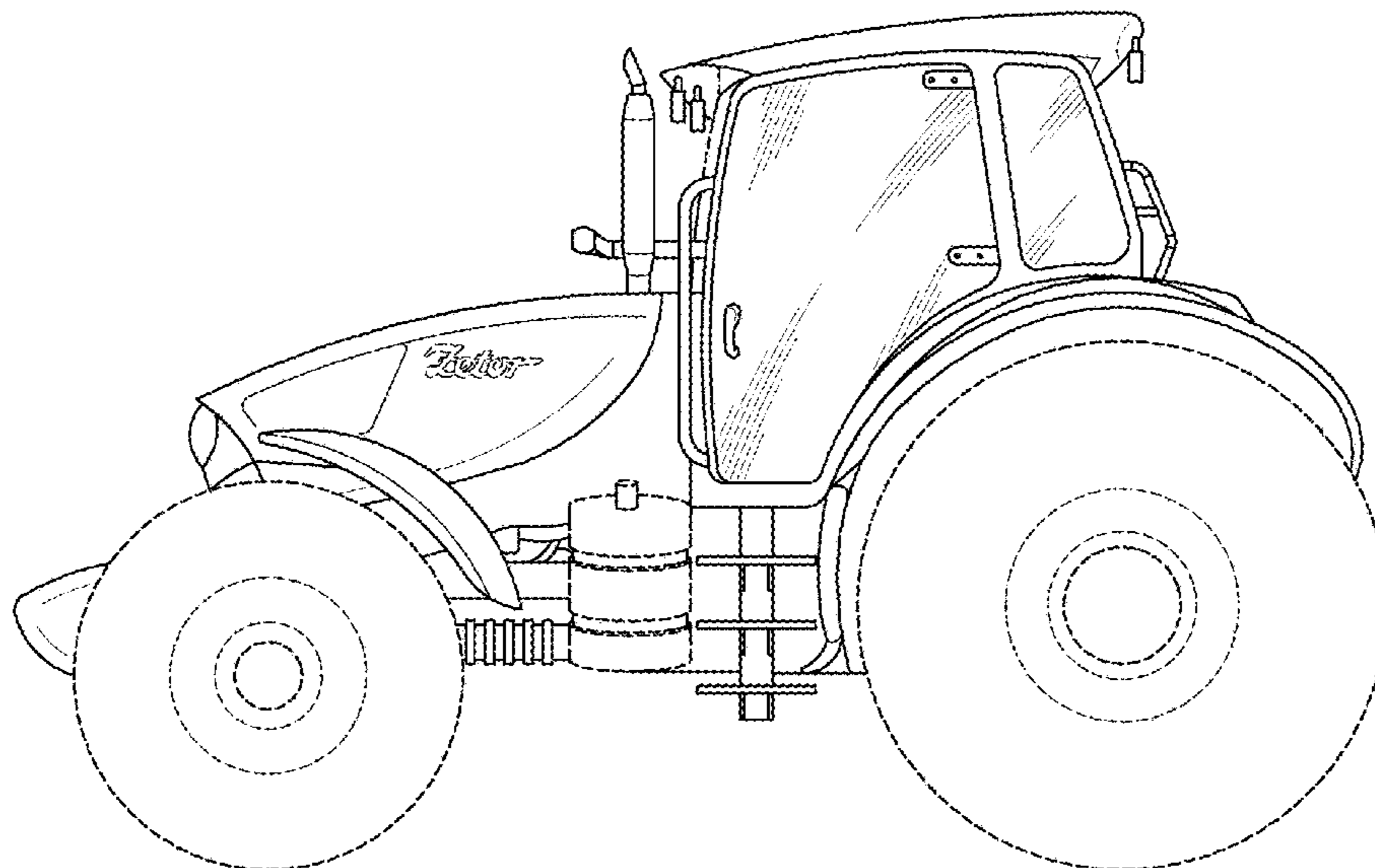
The ornamental design for a tractor, as shown and described.

DESCRIPTION

FIG. 1 is a right side view of a tractor showing the new design;
FIG. 2 is a perspective view thereof;
FIG. 3 is a front view thereof;
FIG. 4 is a left side view thereof;
FIG. 5 is a rear view thereof; and,
FIG. 6 is a top view thereof.

The broken line showing of tires, logos, and accessories are for the purpose of illustrating context and form no part of the claimed design.

1 Claim, 6 Drawing Sheets



(56)

References Cited

U.S. PATENT DOCUMENTS

D682,888	S	5/2013	Iwata	
D682,890	S	5/2013	Iwata et al.	
D693,374	S *	11/2013	Chlystek	D15/23
D693,375	S *	11/2013	Chlystek	D15/23
D703,699	S *	4/2014	Shimomura	D15/23
D705,273	S	5/2014	Furuki et al.	
D706,837	S	6/2014	Takagi et al.	
D708,232	S *	7/2014	Furuki	D15/23
D710,911	S	8/2014	Iwata et al.	
D729,851	S *	5/2015	Kushita	D15/23
D756,420	S	5/2016	Okuyama et al.	
D758,457	S	6/2016	Okuyama et al.	
D759,128	S	6/2016	Yang et al.	
D759,730	S *	6/2016	Okuyama	D15/26
D760,815	S	7/2016	Okuyama et al.	
D767,645	S	9/2016	Okuyama et al.	
D777,214	S *	1/2017	Moritaka	D15/26
D777,215	S *	1/2017	Moritaka	D15/26
D777,798	S *	1/2017	Yetkin	D15/26
D783,059	S *	4/2017	Okuyama	D15/23
D784,422	S *	4/2017	Okuyama	D15/23
D785,050	S *	4/2017	Okuyama	D15/23
D785,051	S *	4/2017	Okuyama	D15/23
D786,311	S	5/2017	Okuyama et al.	
D786,941	S *	5/2017	Kushita	D15/26
D816,125	S	4/2018	Galib et al.	
D828,406	S	9/2018	Van Der Zande	
D849,060	S *	5/2019	Tullius	D15/24
D878,428	S *	3/2020	Furuki	D15/23
2010/0098522	A1	4/2010	Shioji et al.	
2015/0361636	A1	12/2015	Yoshizawa et al.	

* cited by examiner

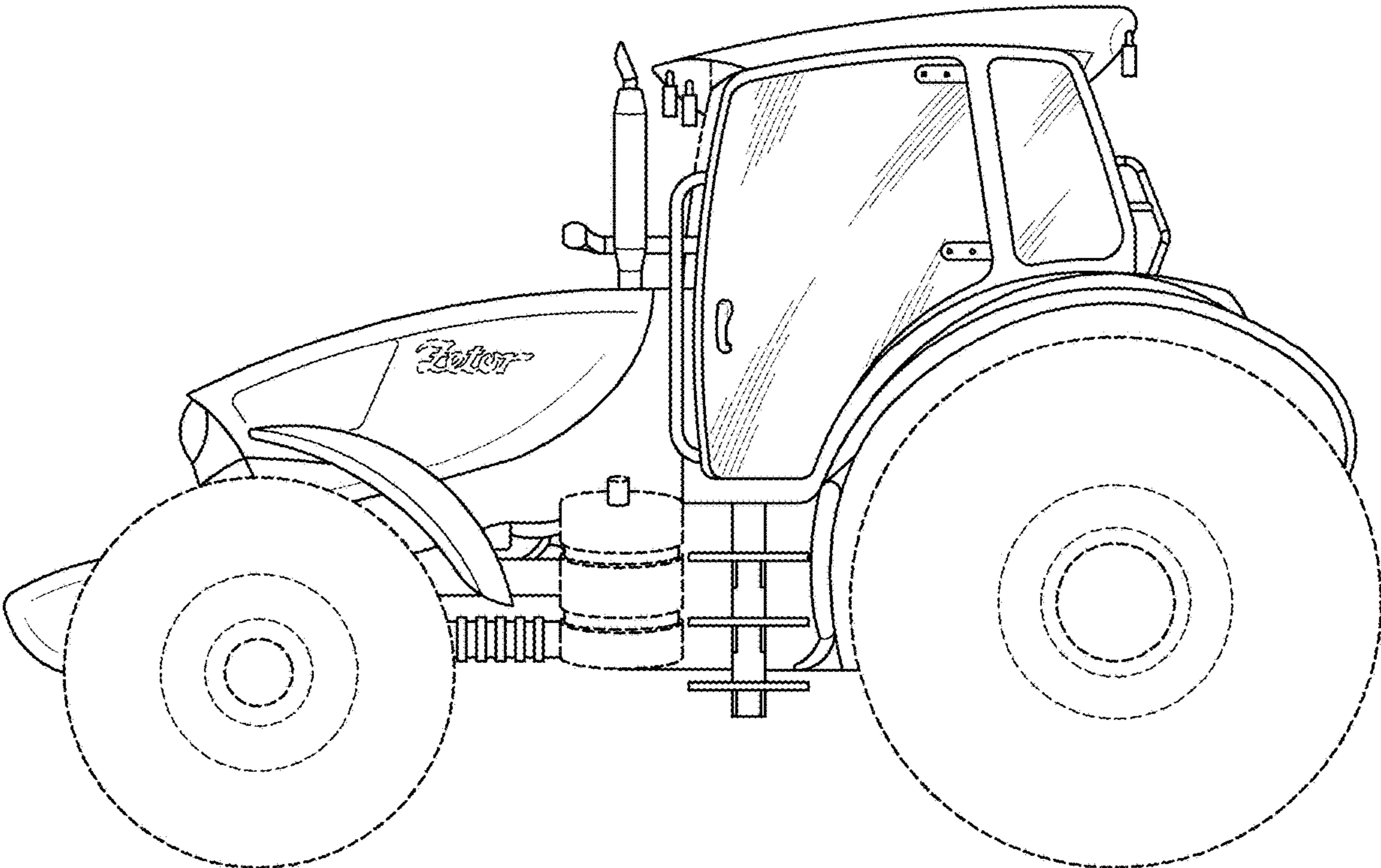


FIG. 1

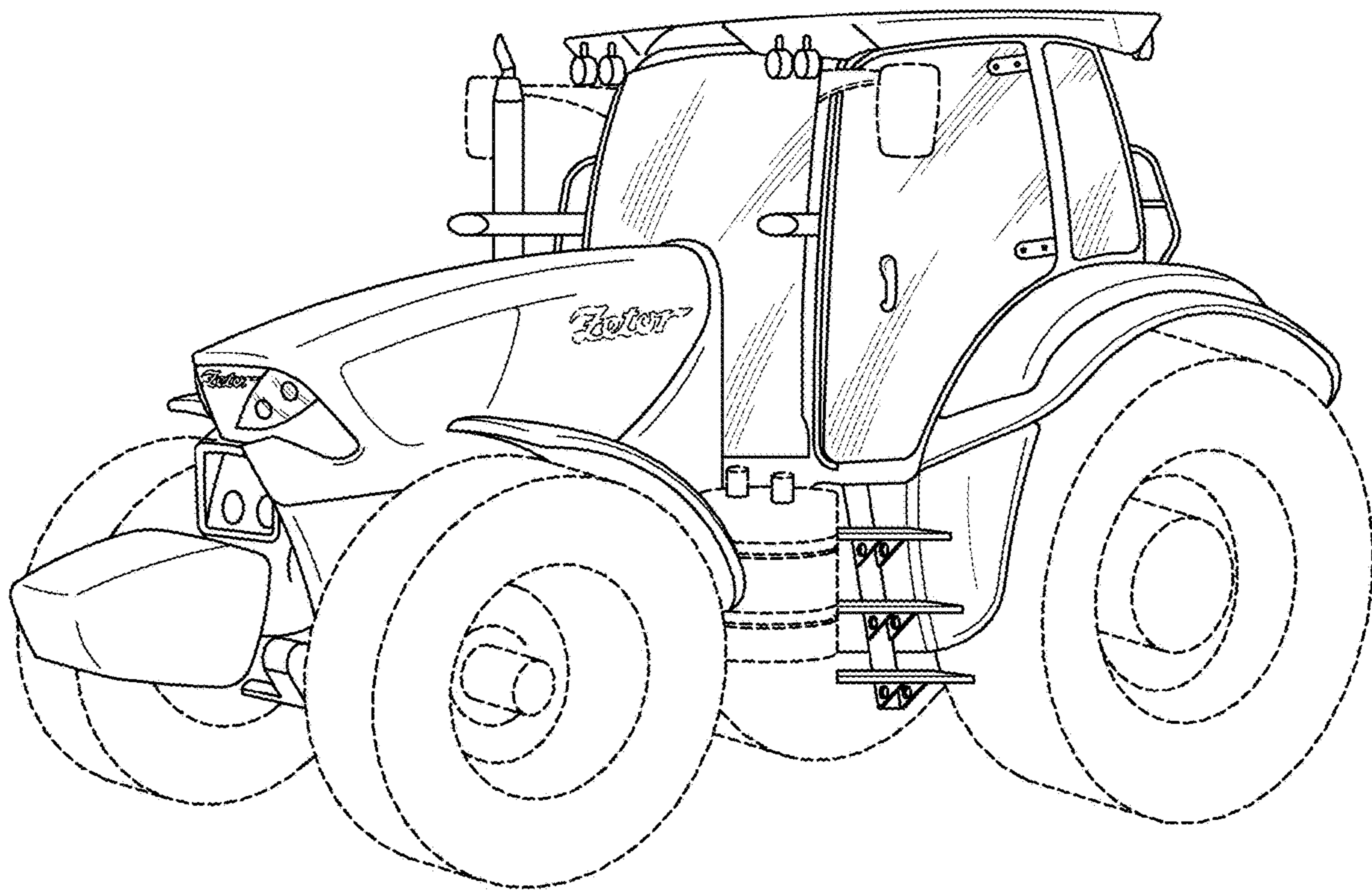


FIG. 2

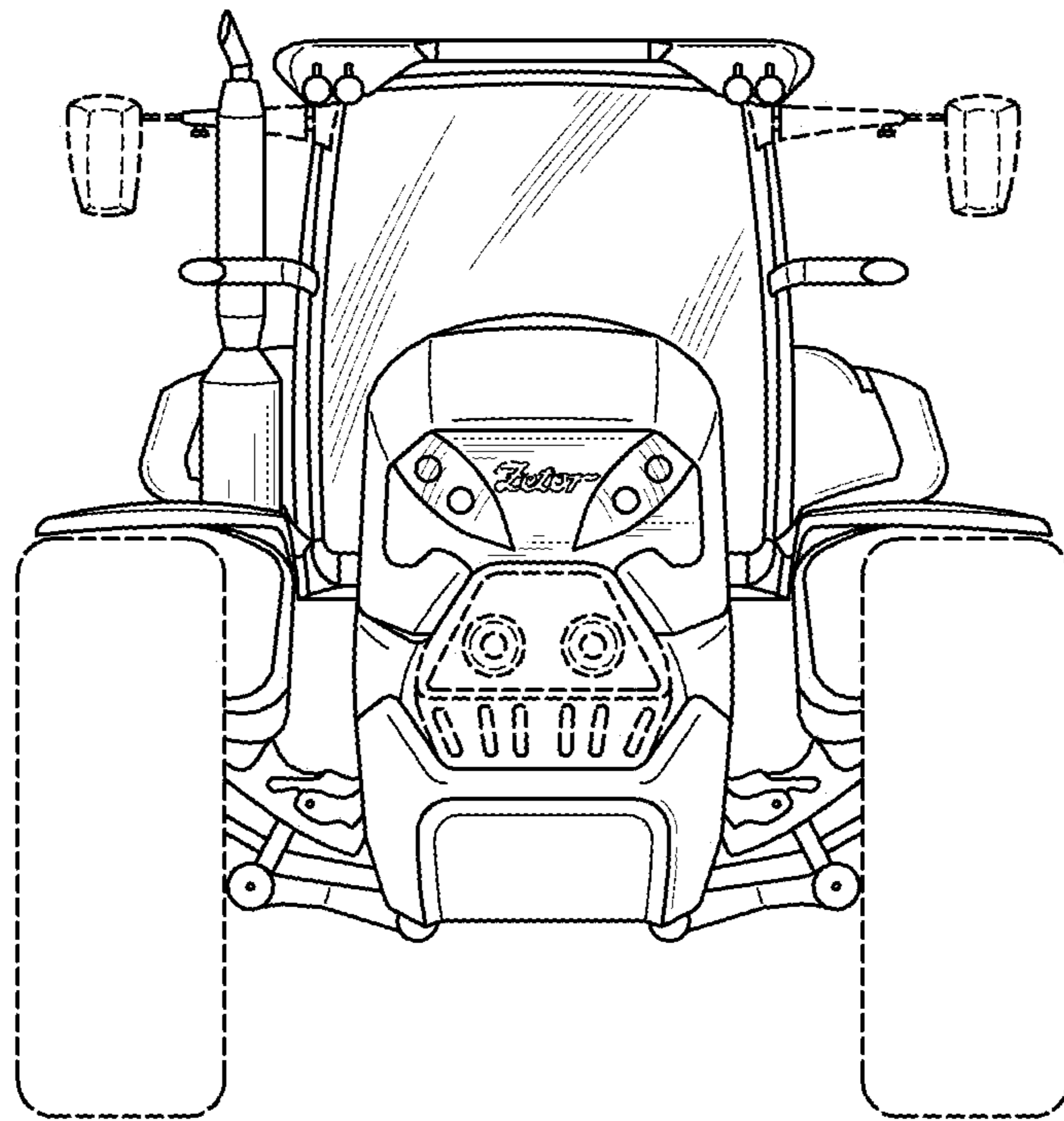


FIG. 3

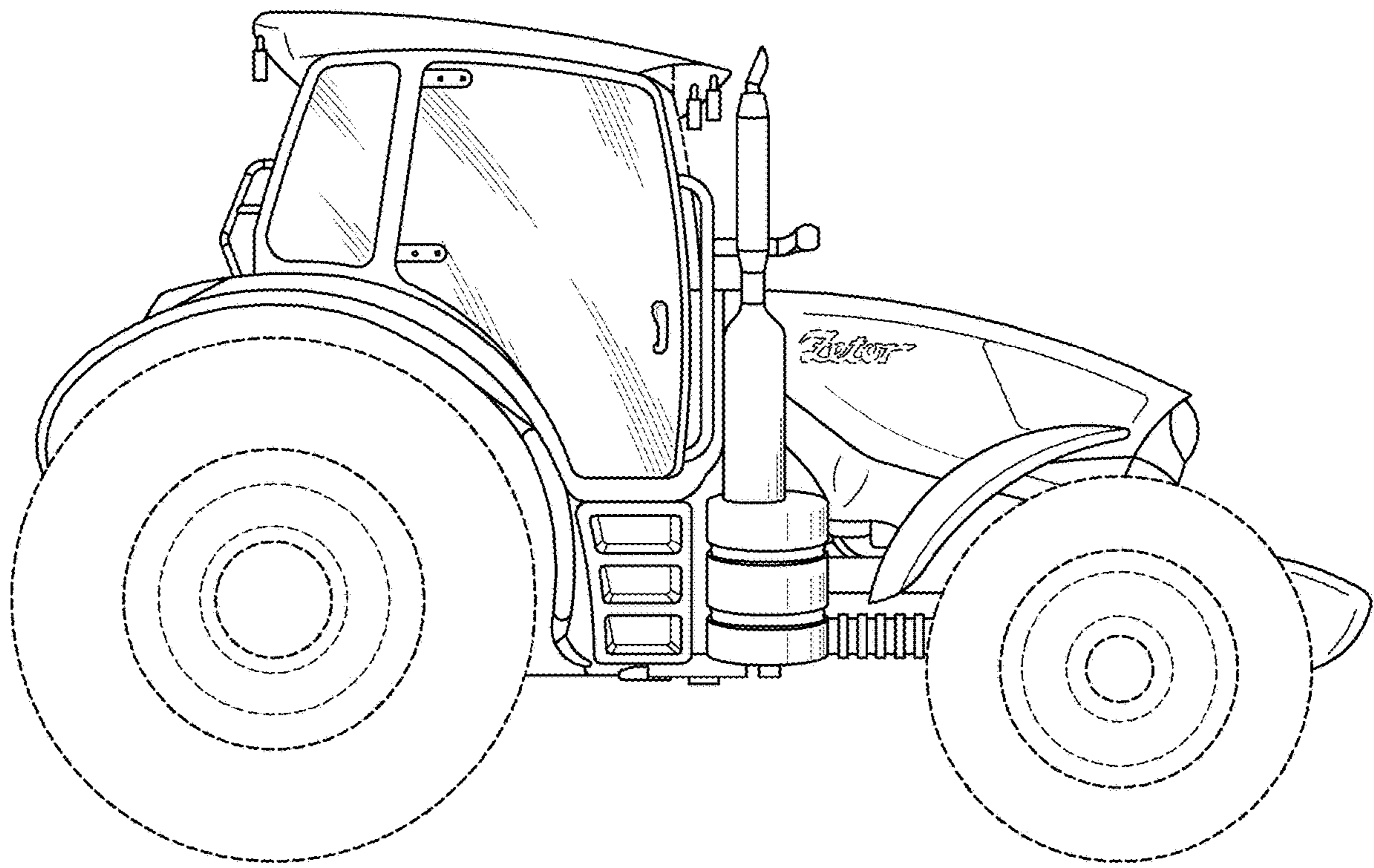


FIG. 4

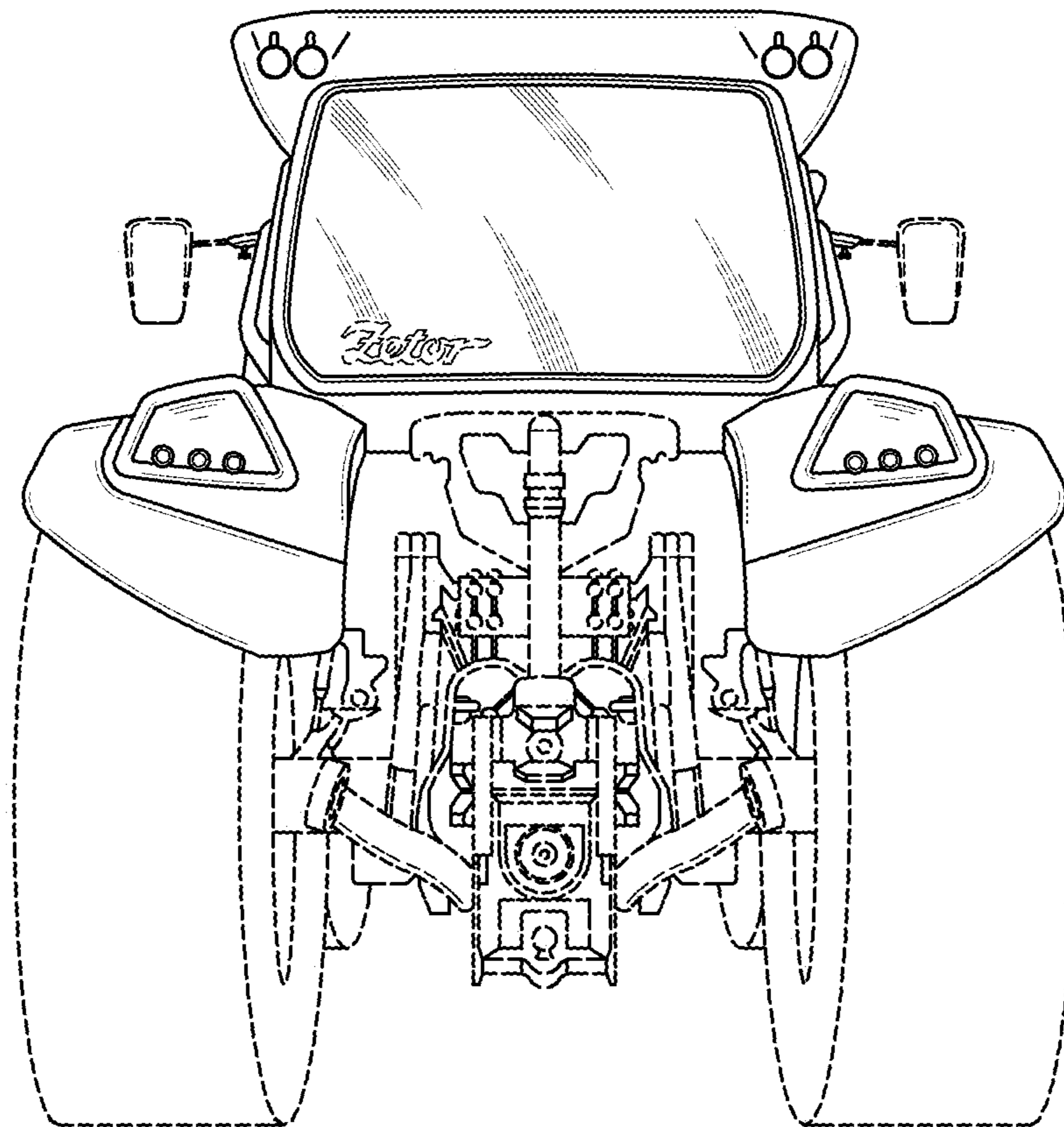


FIG. 5

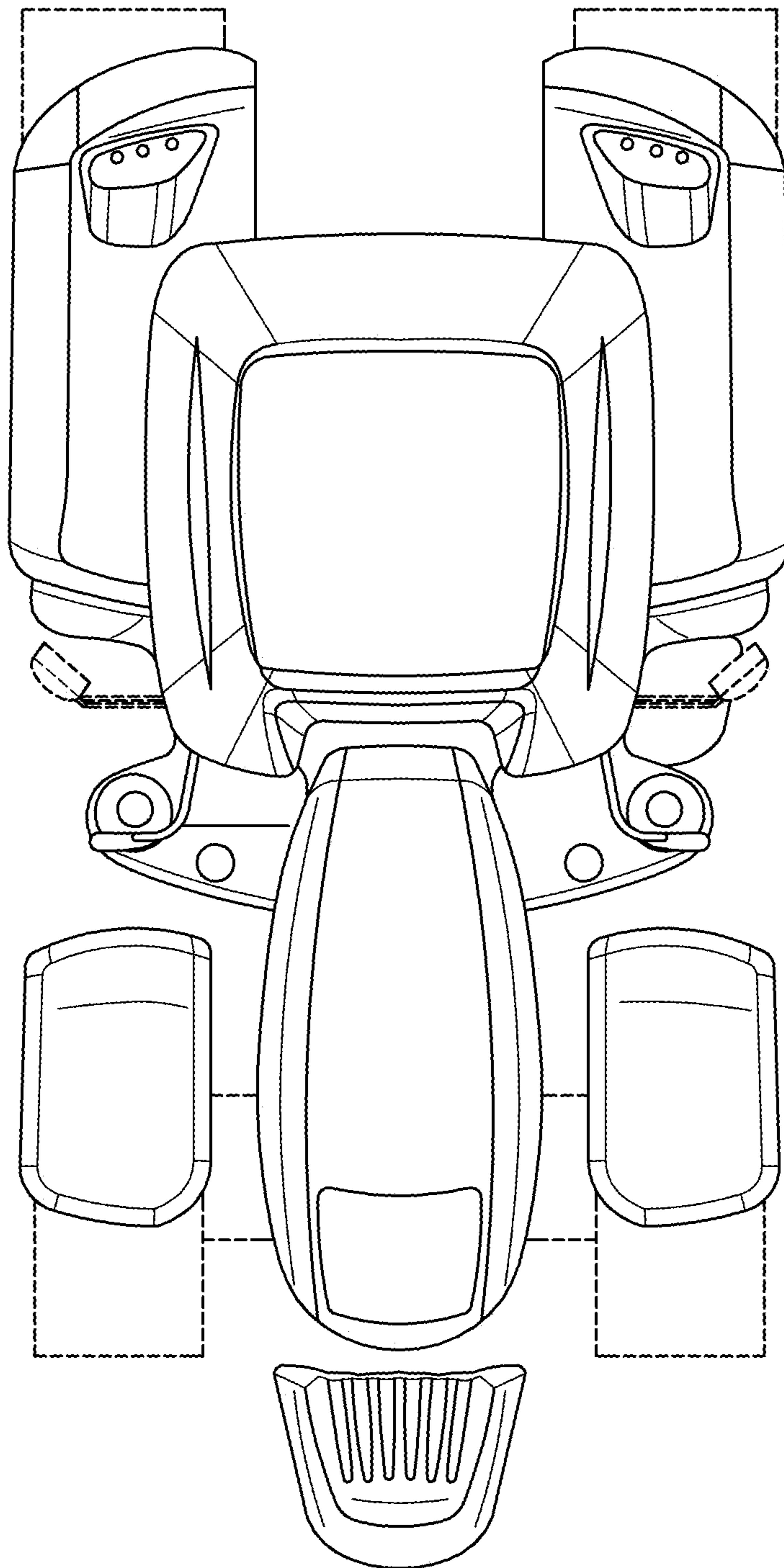


FIG. 6