



US00D900883S

(12) **United States Design Patent** (10) **Patent No.:** **US D900,883 S**  
**Montag** (45) **Date of Patent:** **\*\* Nov. 3, 2020**

(54) **PNEUMATIC ASSISTED COMMODITY LINE SPLITTER**

(71) Applicant: **Montag Investments, LLC**, Emmetsburg, IA (US)

(72) Inventor: **Roger A. Montag**, Malcolm, NE (US)

(73) Assignee: **MONTAG INVESTMENTS, LLC**, Emmetsburg, IA (US)

(\*\*) Term: **15 Years**

(21) Appl. No.: **29/729,909**

(22) Filed: **Mar. 31, 2020**

**Related U.S. Application Data**

(62) Division of application No. 29/614,058, filed on Aug. 15, 2017.

(51) **LOC (12) Cl.** ..... **15-03**

(52) **U.S. Cl.**  
USPC ..... **D15/13; D15/28**

(58) **Field of Classification Search**  
USPC ..... D15/13, 17, 28; 406/59, 109, 151, 197, 406/38, 96, 97, 153, 123, 139, 57  
CPC ..... B65G 53/28; B65G 53/04; A01C 15/04  
See application file for complete search history.

(56) **References Cited**

**U.S. PATENT DOCUMENTS**

3,387,895	A	6/1968	Hochmuth et al.
4,793,744	A	12/1988	Montag
5,265,547	A	11/1993	Daws
5,842,649	A	12/1998	Beck et al.
6,142,714	A	11/2000	Montag
7,025,010	B2	4/2006	Martin et al.
7,213,525	B2	5/2007	Meyer et al.
7,213,617	B2	5/2007	Snipes et al.
8,276,530	B2	10/2012	Anderson et al.
8,469,636	B2	6/2013	Jost et al.
8,635,963	B2	1/2014	Friggstad

D735,769	S	8/2015	Thompson et al.
9,585,304	B2	3/2017	Roberge et al.
9,686,907	B2	6/2017	Hui et al.
D794,084	S	8/2017	Montag et al.
2016/0120098	A1	5/2016	Hui et al.
2016/0207015	A1	7/2016	Montag et al.
2016/0207718	A1	7/2016	Montag et al.

(Continued)

**FOREIGN PATENT DOCUMENTS**

CA 2811176 A1 9/2014

**OTHER PUBLICATIONS**

Caseih: "Precision Disk TM 500T Air Drill", Publication Date:N/A.

(Continued)

*Primary Examiner* — Mark A Goodwin

(74) *Attorney, Agent, or Firm* — Goodhue, Coleman & Owens, P.C.

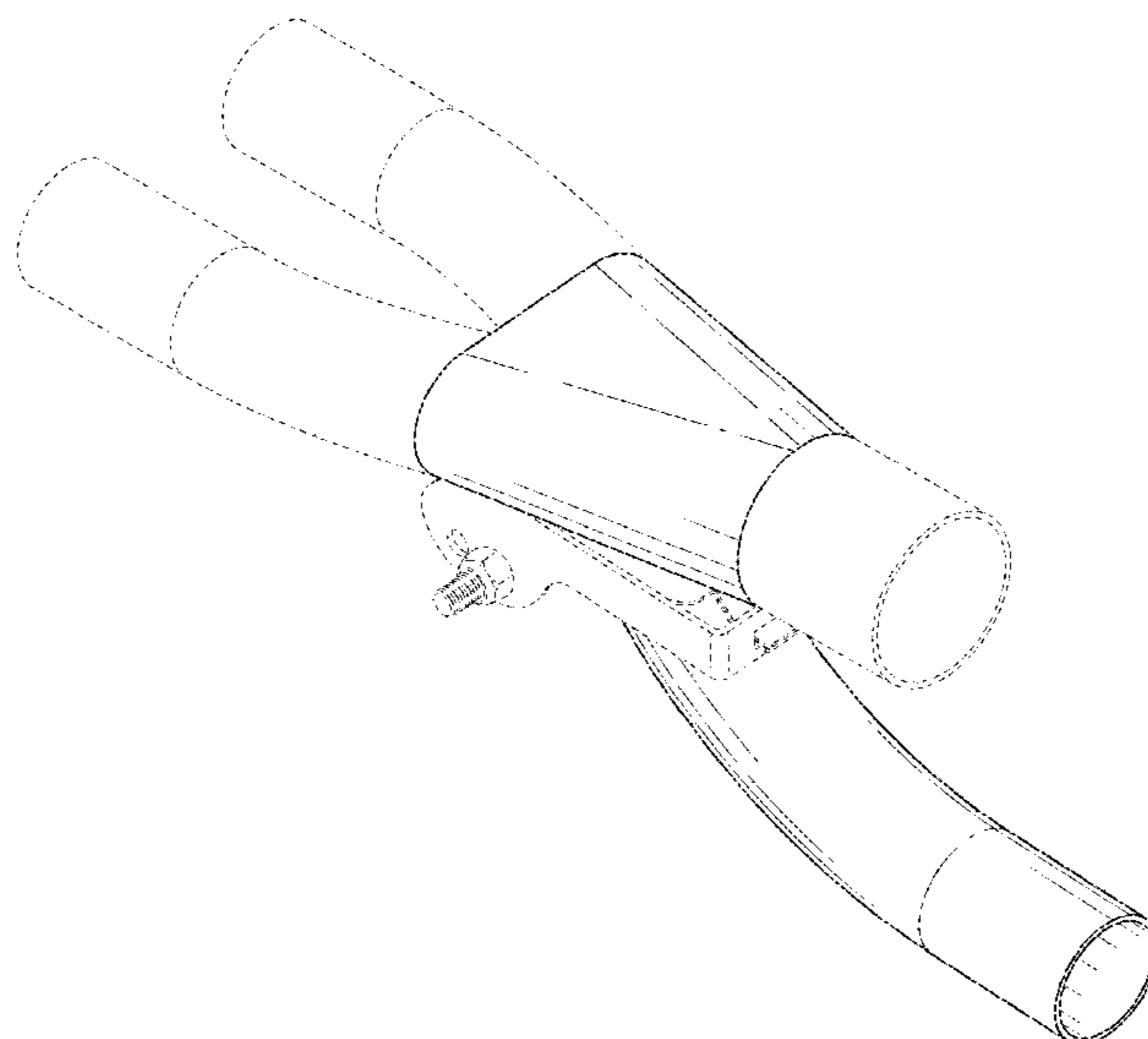
(57) **CLAIM**

The ornamental design for a pneumatic assisted commodity line splitter, as shown and described.

**DESCRIPTION**

FIG. 1 is a top perspective view of a pneumatic assisted commodity line splitter showing our new design; FIG. 2 is a bottom perspective thereof; FIG. 3 is a left side view thereof; FIG. 4 is a right side view thereof; FIG. 5 is a top view thereof; FIG. 6 is a bottom view thereof; FIG. 7 is a front view thereof; and, FIG. 8 is a back view thereof. The broken line showing of the elements shown in FIGS. 1-8 is included for the purpose of illustrating portions of a pneumatic assisted commodity line splitter and forms no part of the claimed design.

**1 Claim, 7 Drawing Sheets**



(56)

**References Cited**

U.S. PATENT DOCUMENTS

2017/0086355 A1 3/2017 Borkgren et al.  
2018/0054957 A1 3/2018 Gervais et al.

OTHER PUBLICATIONS

Guest, "Pushfit Y Hose 2 Way Divider Water Splitter 12MM—  
Caravan", Publication Date:N/A.

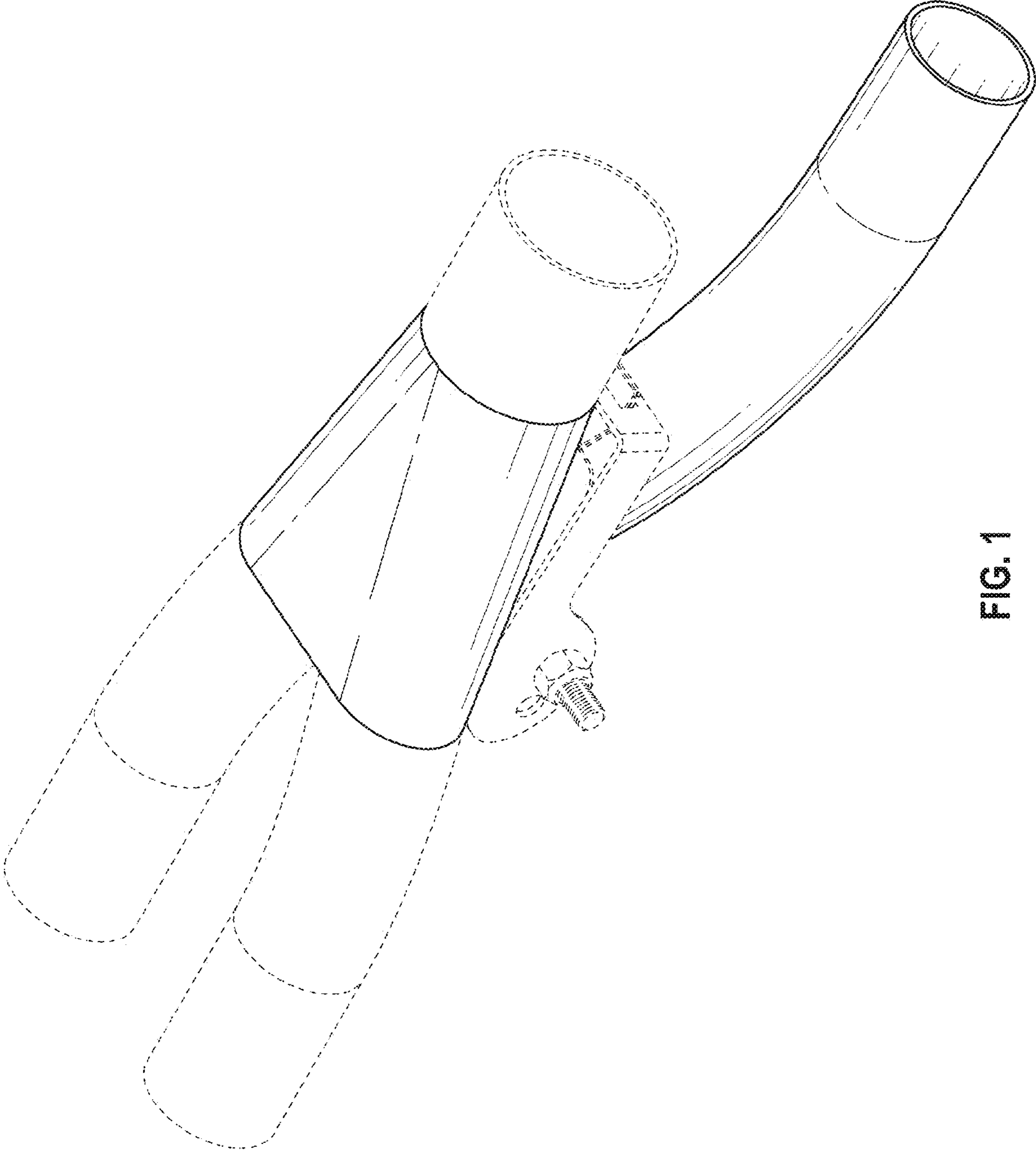


FIG. 1

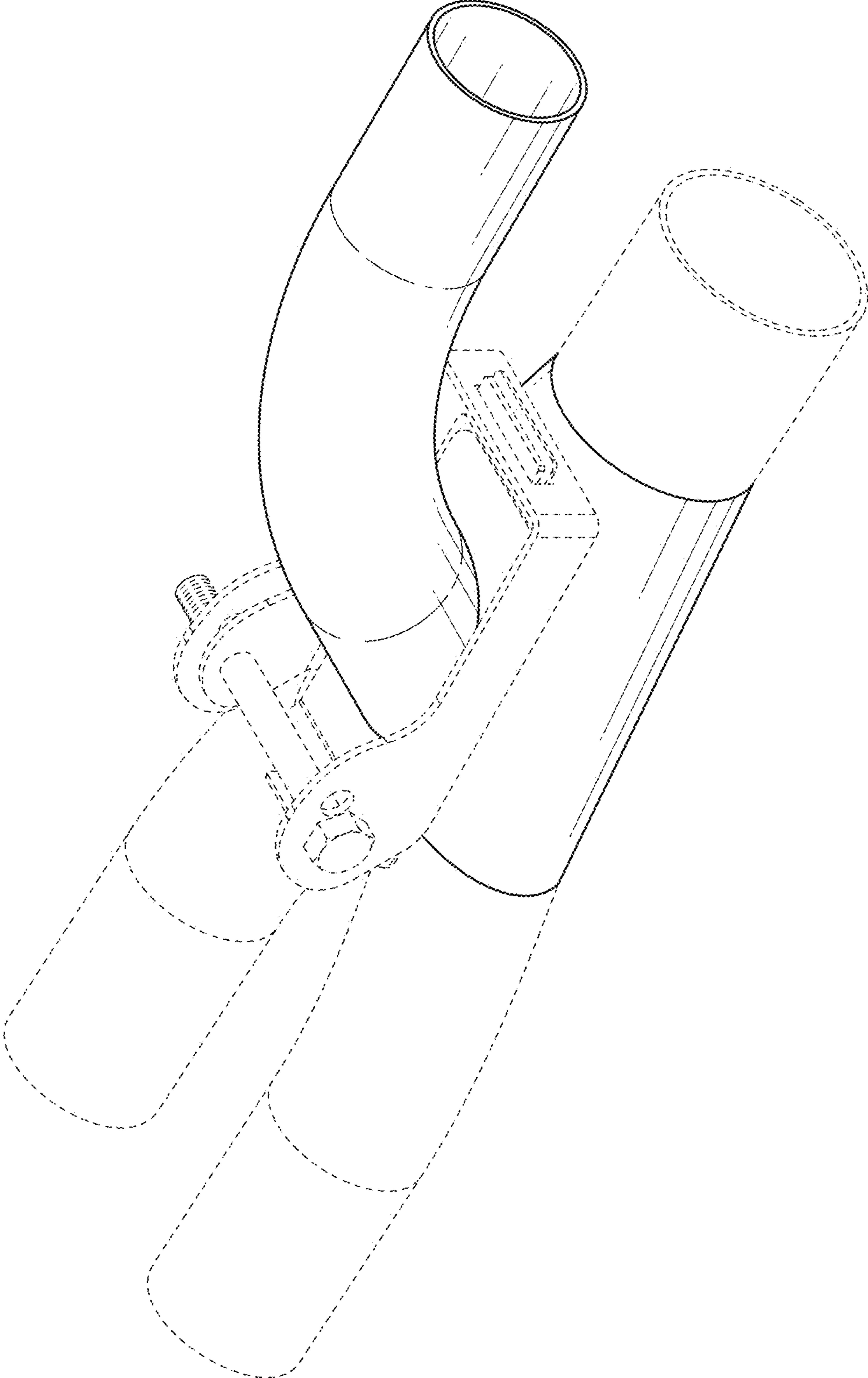


FIG. 2

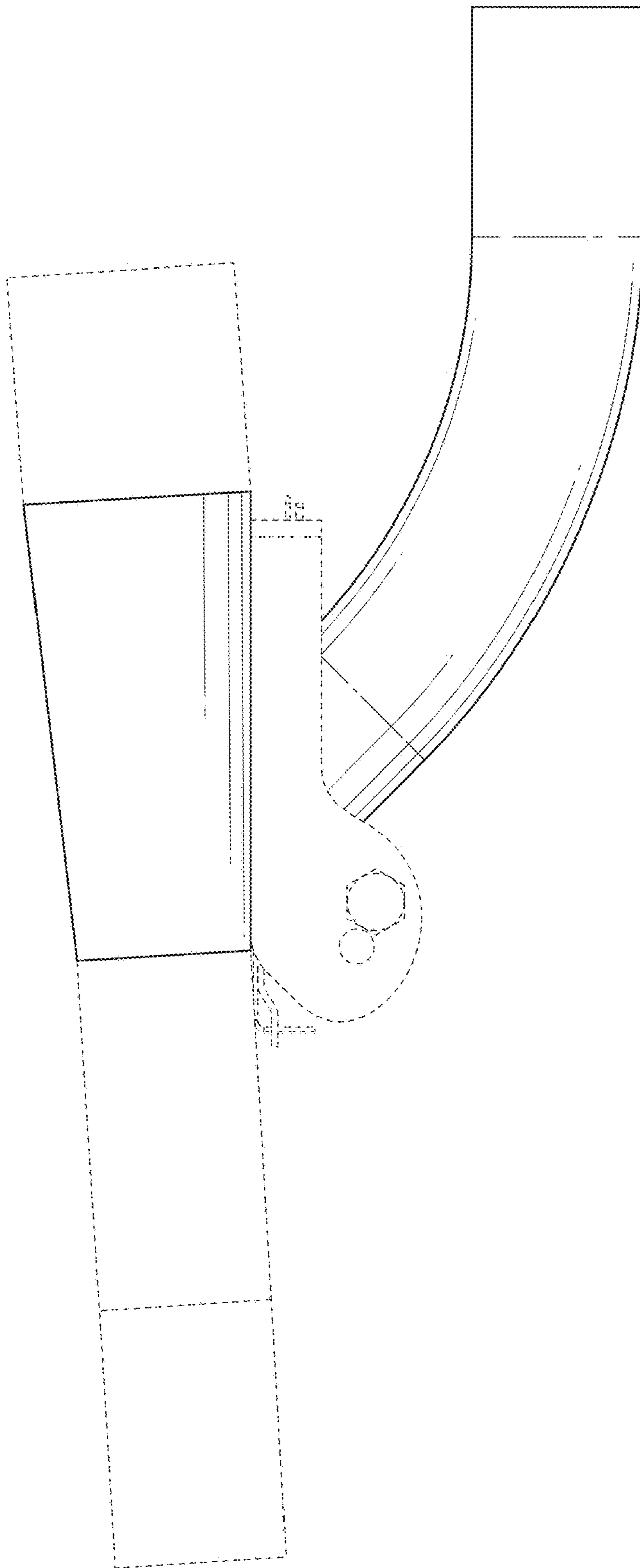


FIG. 3

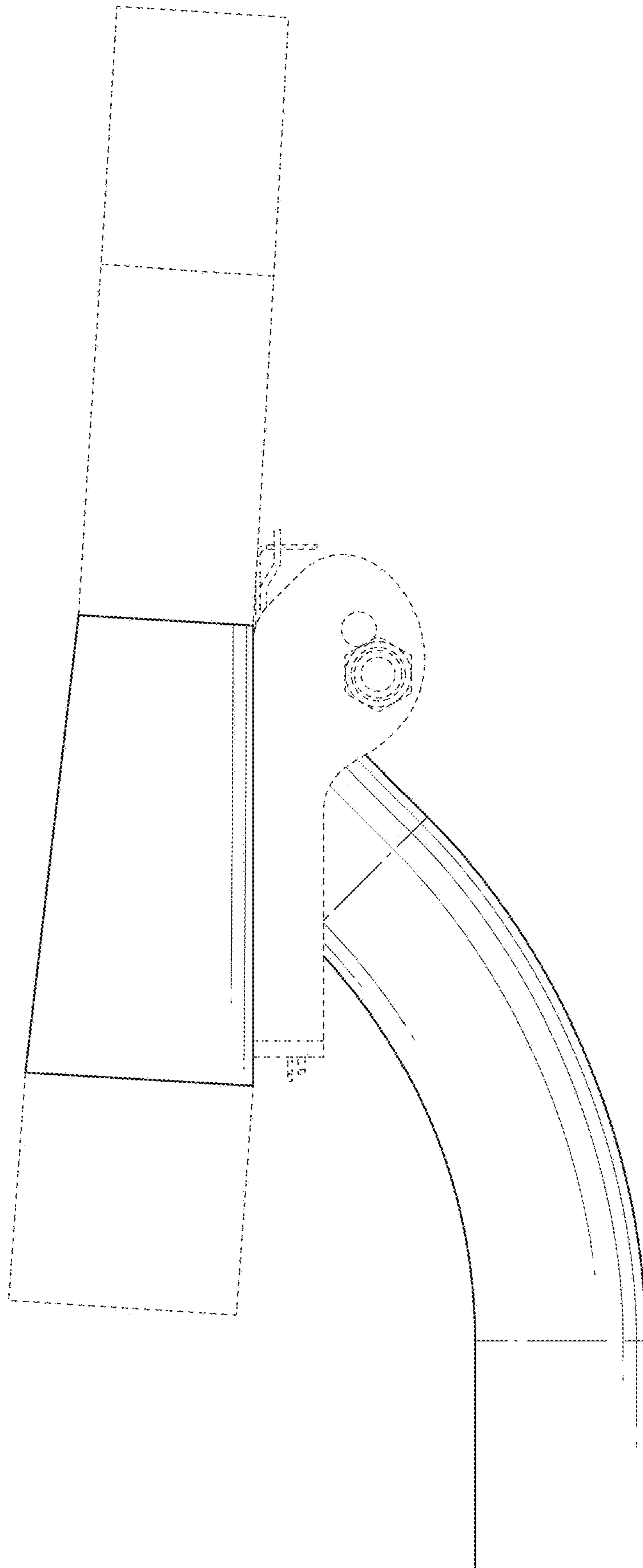


FIG. 4

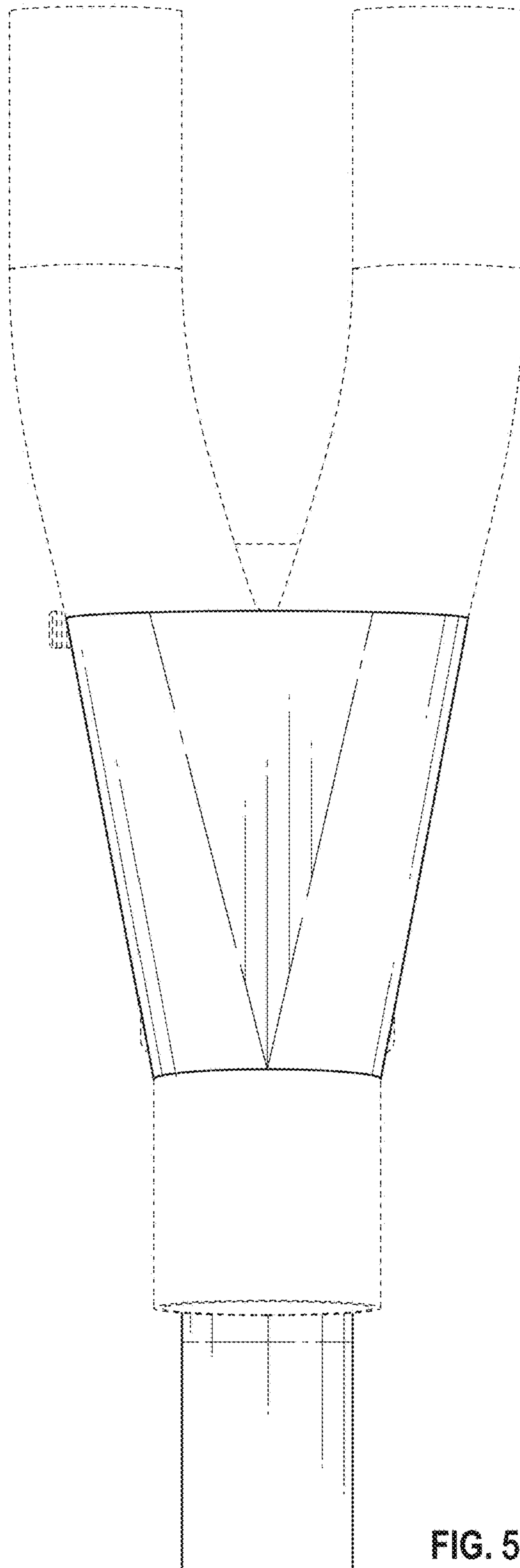


FIG. 5

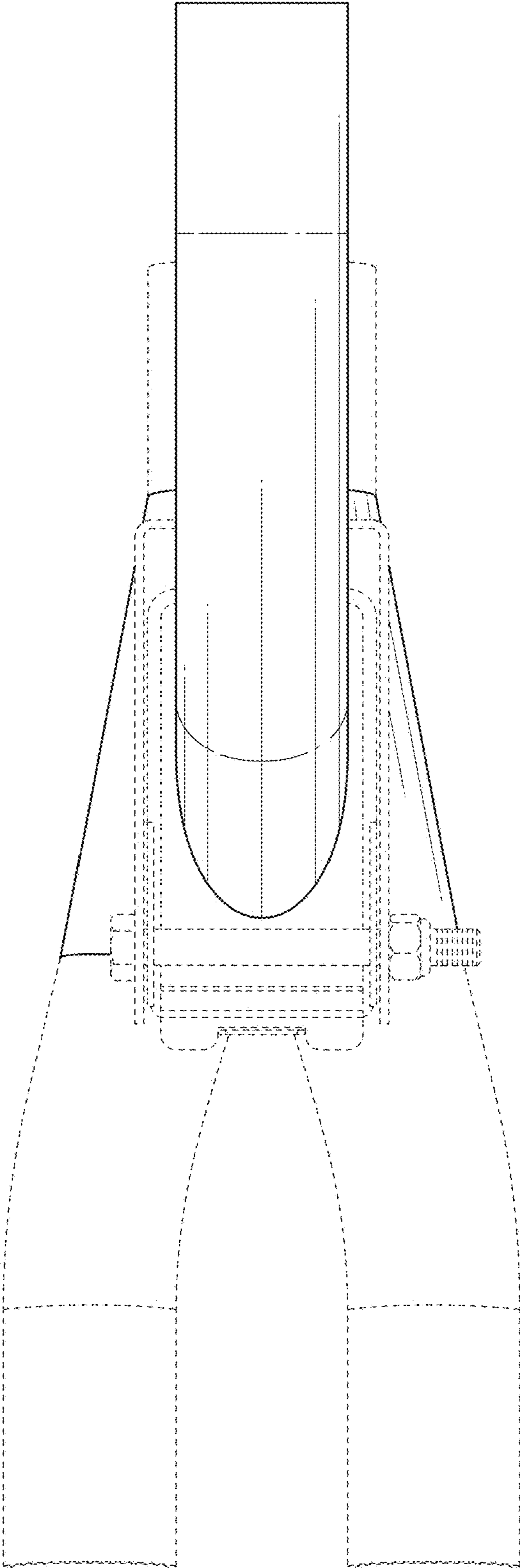


FIG. 6



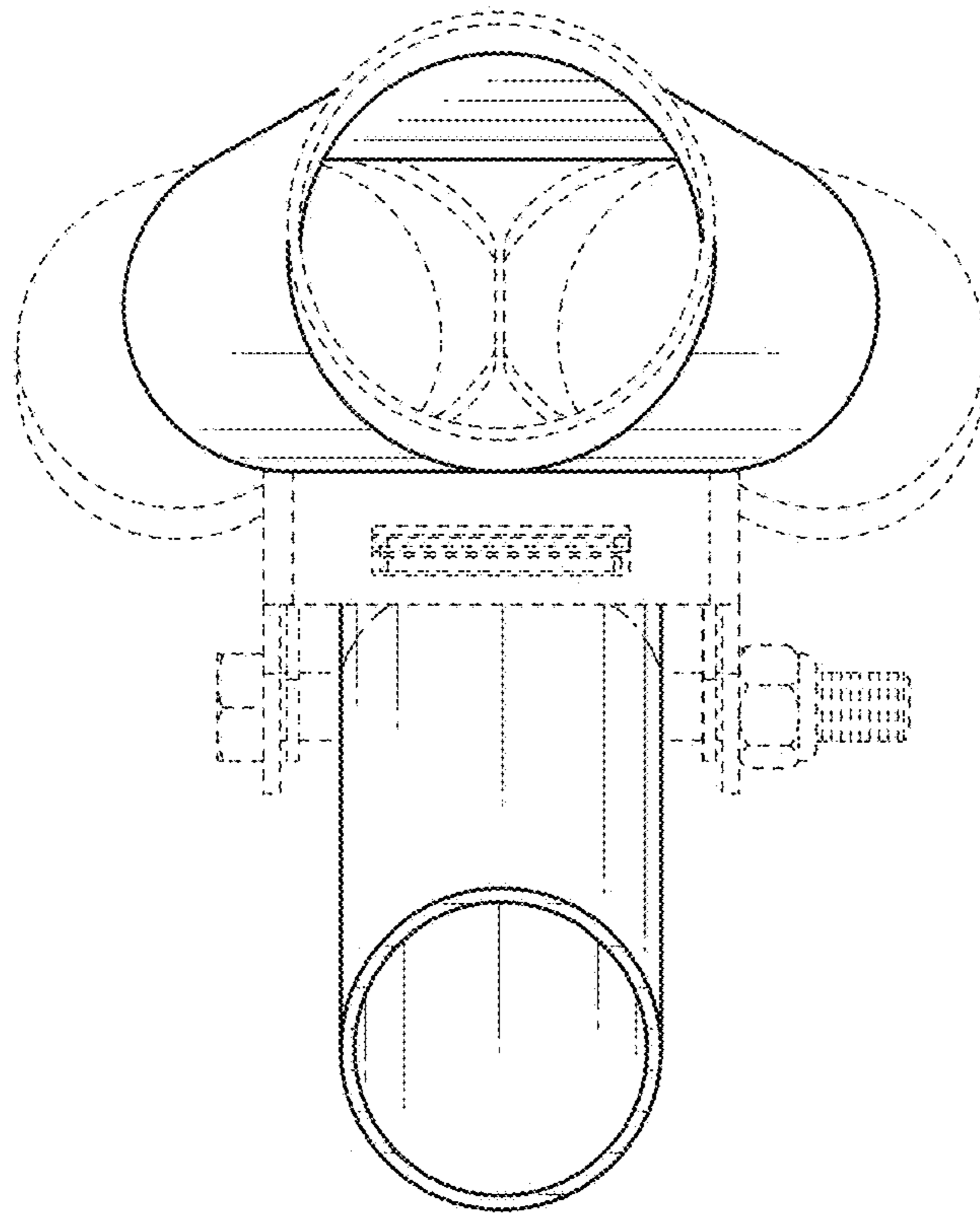


FIG. 7

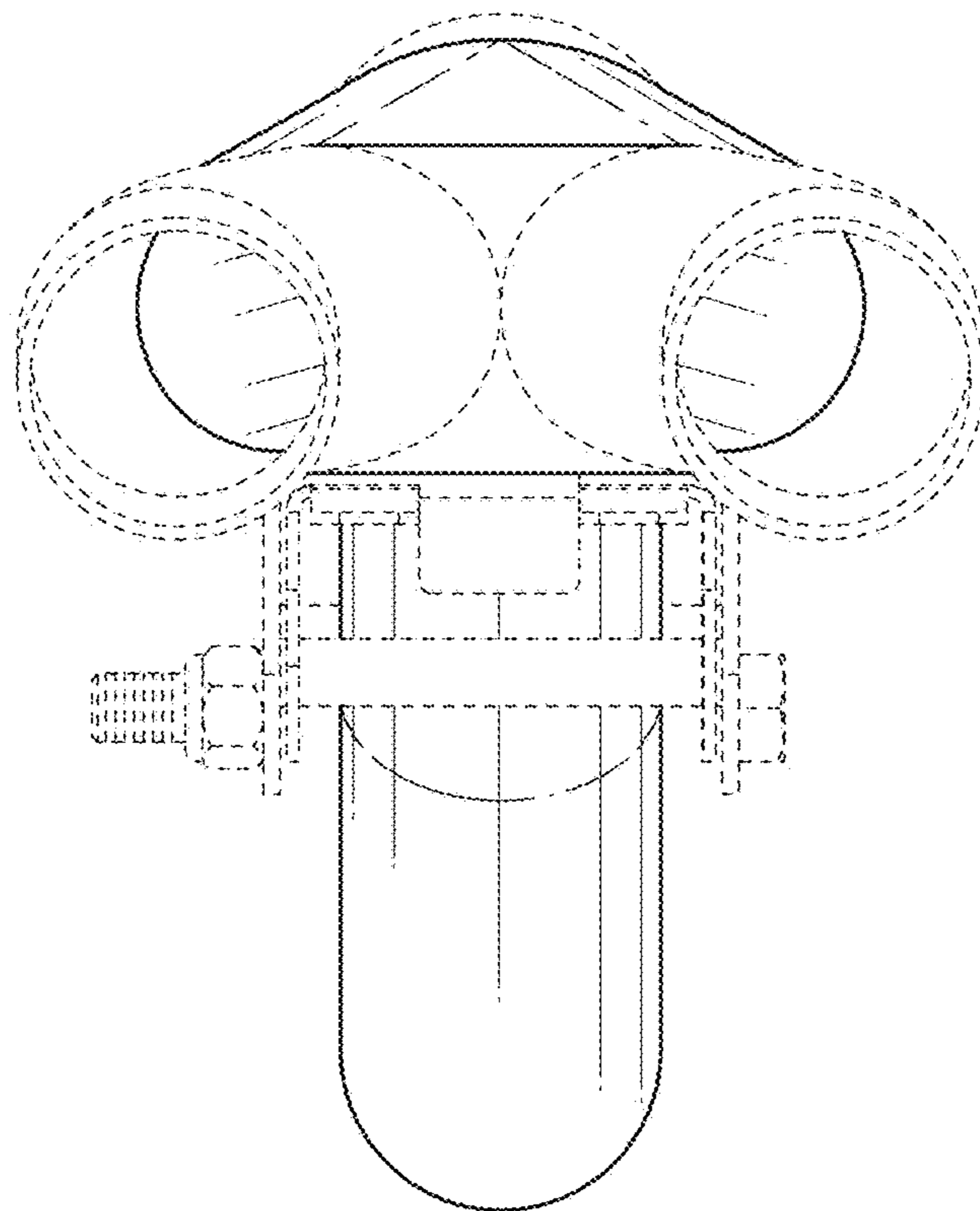


FIG. 8