



US00D900882S

(12) **United States Design Patent** (10) **Patent No.:** **US D900,882 S**
Vintzel (45) **Date of Patent:** **** Nov. 3, 2020**

(54) **AIR COMPRESSOR**

(71) Applicant: **Harbor Freight Tools USA, Inc.**,
Calabasas, CA (US)

(72) Inventor: **James Constantine Vintzel**, Jackson,
TN (US)

(73) Assignee: **Harbor Freight Tools USA, INC.**,
Calabasas, CA (US)

(**) Term: **15 Years**

(21) Appl. No.: **29/704,529**

(22) Filed: **Sep. 5, 2019**

(51) **LOC (12) Cl.** **15-02**

(52) **U.S. Cl.**
USPC **D15/9; D15/7**

(58) **Field of Classification Search**
USPC D13/103, 107; D23/210, 225, 231, 232;
D15/7-9

CPC F04B 41/00; F04B 41/02; F04B 41/04;
F04B 41/06; F04B 35/00; F04B 35/06;
F04B 35/002; F04B 35/86; F04B 31/00;
F04B 49/00; F04B 17/03; F04B 17/06;
F04B 33/005; F04B 33/00; F04B 33/02;
F04B 25/005

See application file for complete search history.

(56) **References Cited**

U.S. PATENT DOCUMENTS

D293,585	S	*	1/1988	Morgan	D15/9
5,054,740	A	*	10/1991	Wheeler	F04B 41/02 248/154
D444,796	S	*	7/2001	Morgan	D15/9
6,375,437	B1	*	4/2002	Nolan	F04B 35/06 137/248
D491,628	S	*	6/2004	Hsiao	D23/202
D499,432	S	*	12/2004	Chen	D15/9
D512,479	S	*	12/2005	Hsiao	D23/202
D534,287	S	*	12/2006	Krieger	D26/38

D535,309	S	*	1/2007	Breecham	D15/9
D553,158	S	*	10/2007	Caito	D15/9
D557,710	S	*	12/2007	Sharp	D15/9
D562,851	S	*	2/2008	Leasure	D15/9
D574,859	S	*	8/2008	Hernandez	D15/9
D576,512	S	*	9/2008	Leasure	D15/7
D579,462	S	*	10/2008	Leasure	D15/7

(Continued)

OTHER PUBLICATIONS

Fortress, 27 Gallon 200 PSI High Performance Vertical Shop/Auto Air Compressor, (site visited Jun. 30, 2020), Harbor Freight website, URL:<<https://www.harborfreight.com/air-tools-compressors/air-compressors-tanks/27-gallon-200-psi-high-performance-vertical-shopauto-air-compressor-56403.html>> (Year: 2020).*

(Continued)

Primary Examiner — Sheryl Lane

Assistant Examiner — Mark T. Philipps

(74) *Attorney, Agent, or Firm* — McAndrews Held & Malloy, Ltd.

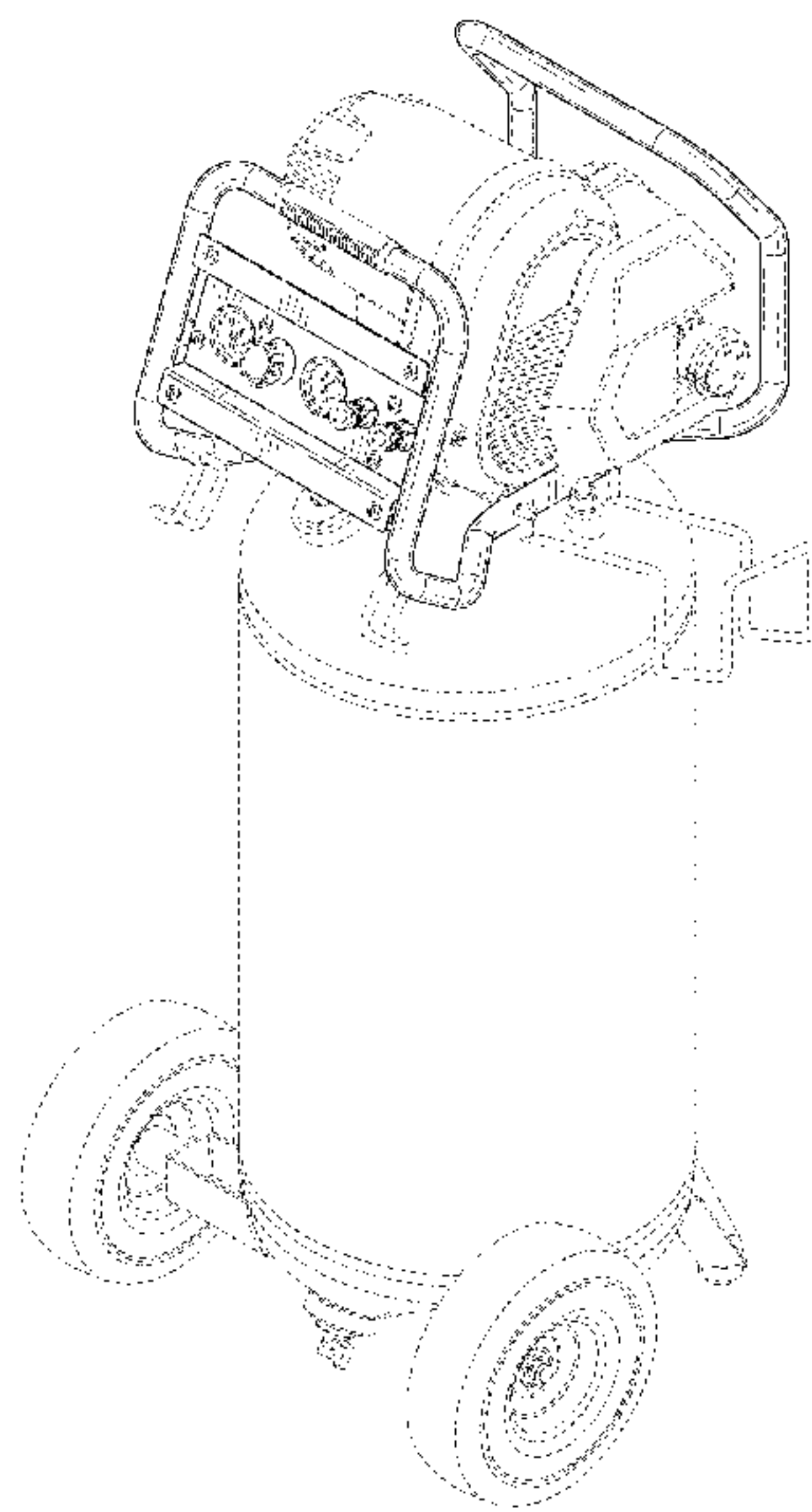
(57) **CLAIM**

The ornamental design for an air compressor, as shown and described.

DESCRIPTION

FIG. 1 is a top-front perspective view of an air compressor showing my new design;
FIG. 2 is a front elevation view thereof;
FIG. 3 is a rear elevation thereof;
FIG. 4 is a left side elevation view thereof;
FIG. 5 is a right side elevation view thereof;
FIG. 6 is a top plan view thereof;
FIG. 7 is a bottom plan view thereof; and,
FIG. 8 is a bottom-rear perspective view thereof.
The dashed broken lines in the figures illustrate portions of the air compressor that form no part of the claimed design.

1 Claim, 7 Drawing Sheets



(56)

References Cited

U.S. PATENT DOCUMENTS

D589,065 S * 3/2009 Leasure D15/9
 D589,535 S * 3/2009 Leasure D15/9
 D604,746 S * 11/2009 Nishido D15/7
 D636,409 S * 4/2011 Wilmes D15/9
 D637,211 S * 5/2011 Parks D15/9
 D657,393 S * 4/2012 Pauwels D15/9
 D662,517 S * 6/2012 Hawkins D15/9
 D664,996 S * 8/2012 Hsiao D15/9
 D666,224 S * 8/2012 Pruszynski D15/79
 D668,267 S * 10/2012 Hawkins D15/7
 D680,556 S * 4/2013 Craig D15/7
 D710,902 S * 8/2014 Vintzel D15/9
 D710,903 S * 8/2014 Vintzel D15/9
 9,291,363 B1 * 3/2016 Cassell F24H 3/0488
 D806,135 S * 12/2017 Wood D15/9
 D806,753 S * 1/2018 Wood D15/7
 D806,755 S * 1/2018 Wood D15/9
 D806,757 S * 1/2018 Wood D15/9
 D838,751 S * 1/2019 Wood D15/9
 D854,585 S * 7/2019 Bindhammer D15/9
 D876,485 S * 2/2020 Pauly D15/9

2005/0196290 A1* 9/2005 Hu F04B 35/06
 417/234
 2006/0104836 A1* 5/2006 Phillips F04B 41/02
 417/411
 2006/0104837 A1* 5/2006 Lee F04B 41/02
 417/415
 2007/0122292 A1* 5/2007 Etter F04B 41/02
 417/234
 2009/0226333 A1* 9/2009 Hsiao F04B 41/02
 417/234
 2010/0290929 A1* 11/2010 Ohi F04B 41/02
 417/360
 2016/0298618 A1* 10/2016 Wood F04B 35/06
 2018/0320677 A1* 11/2018 Thackery F04B 41/02

OTHER PUBLICATIONS

DeWalt, Dewalt 15-Gallon Single Stage Portable Electric Vertical Air Compressor, (site visited Jun. 30, 2020), Lowes Website, URL: <<https://www.lowes.ca/product/air-compressors/dewalt-15-gallon-single-stage-portable-electric-vertical-air-compressor-203680>> (Year: 2020).*

* cited by examiner

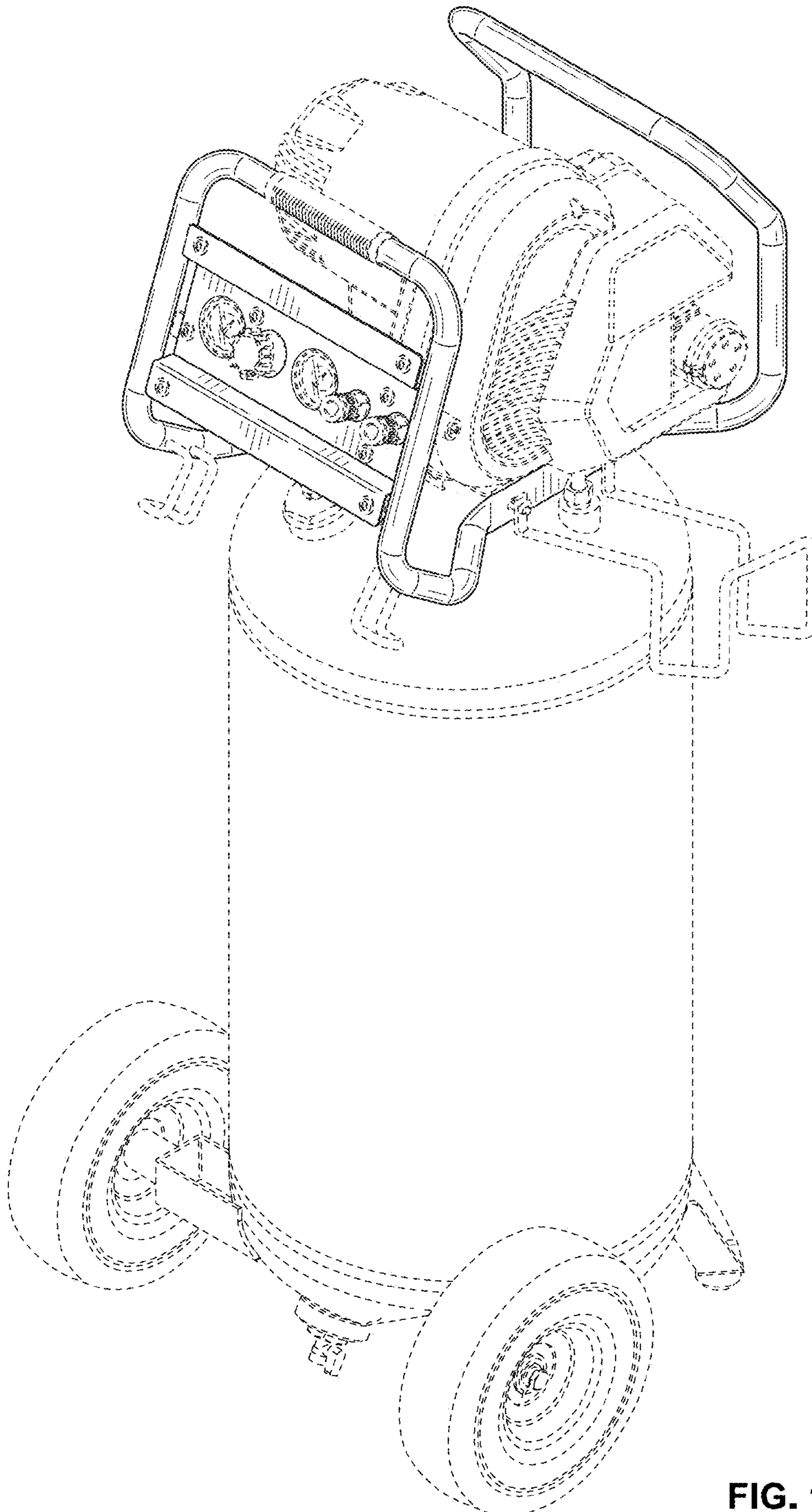


FIG. 1

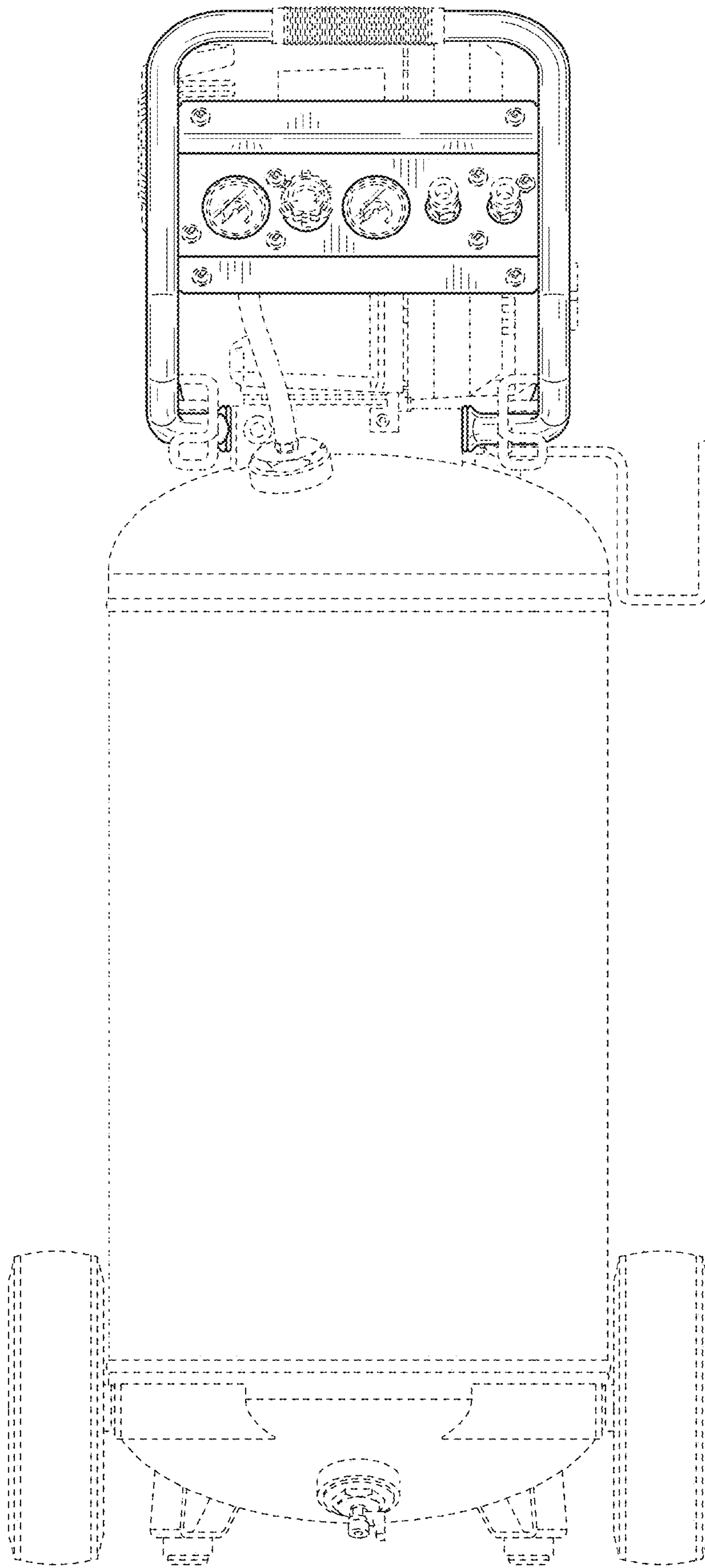


FIG. 2

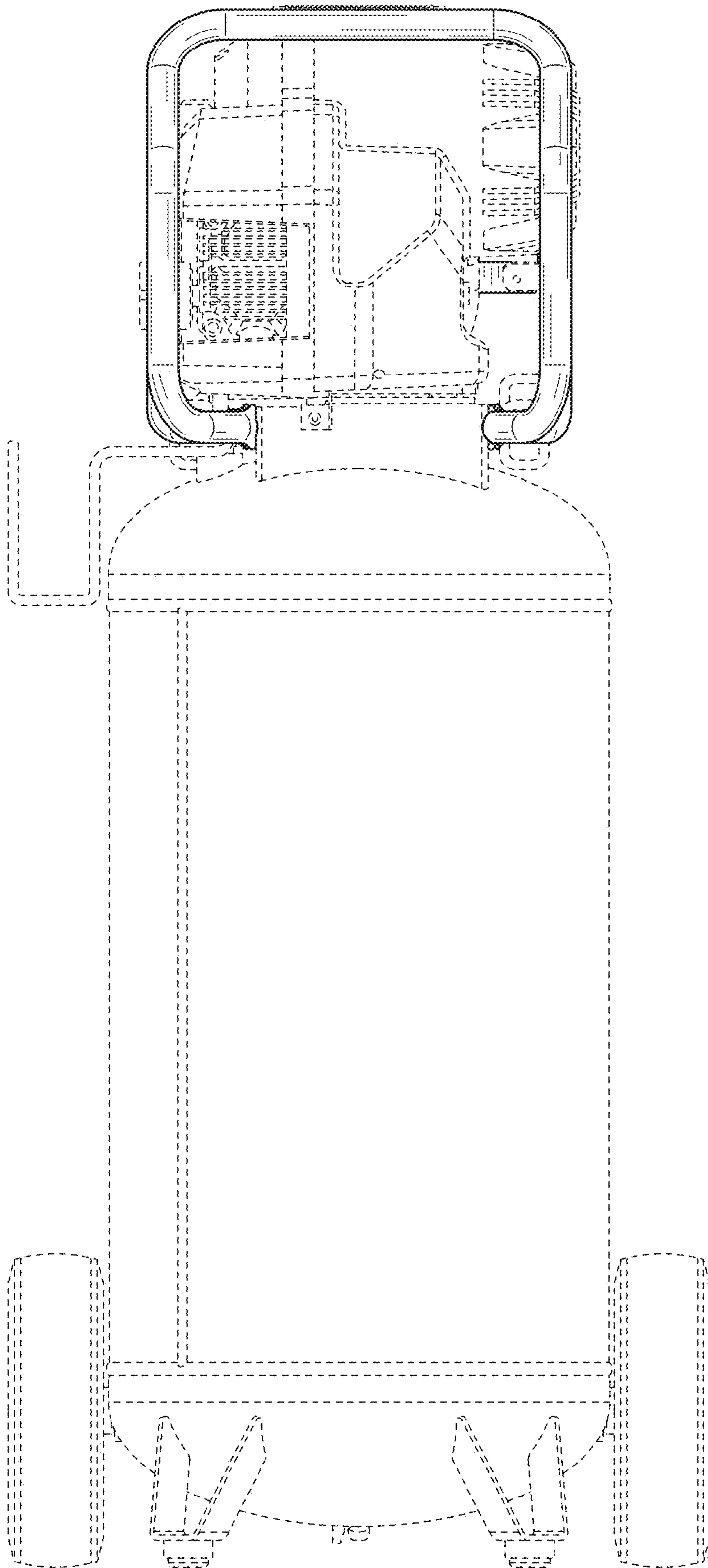


FIG. 3

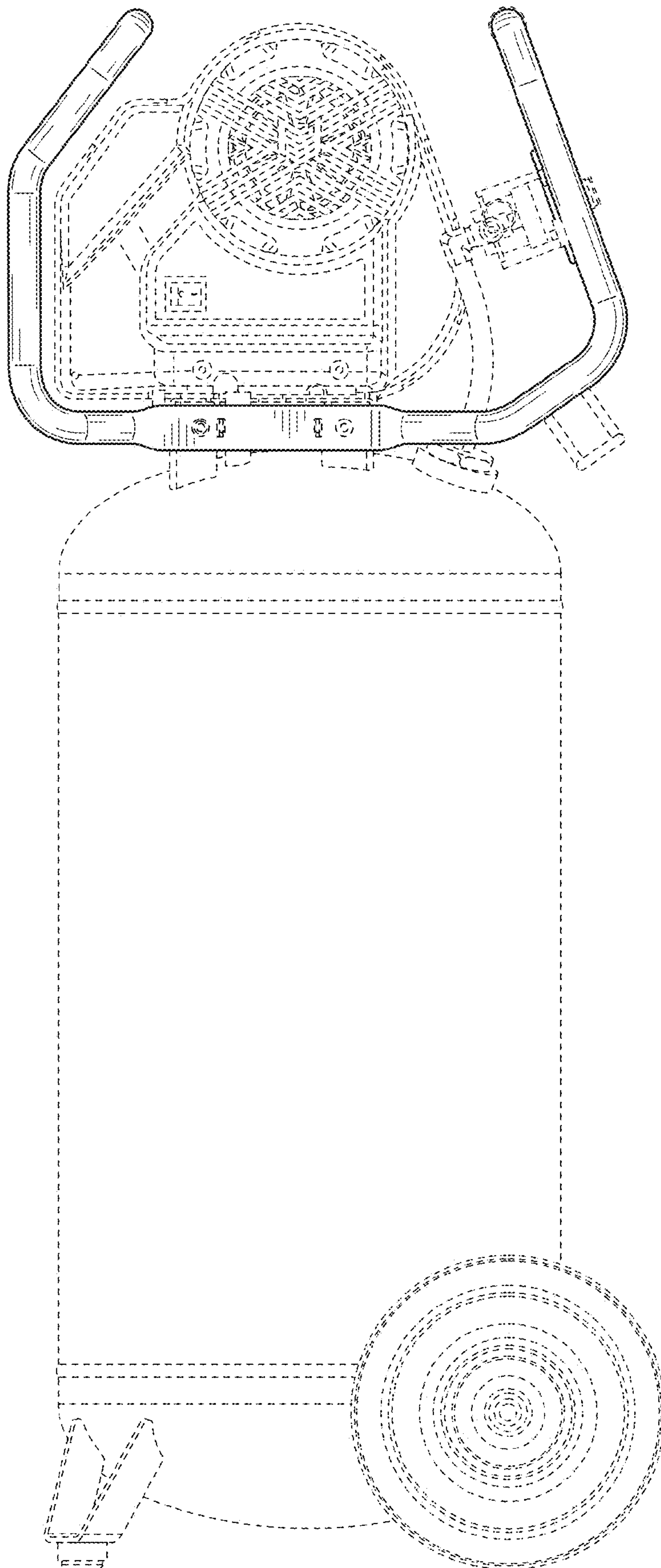


FIG. 4

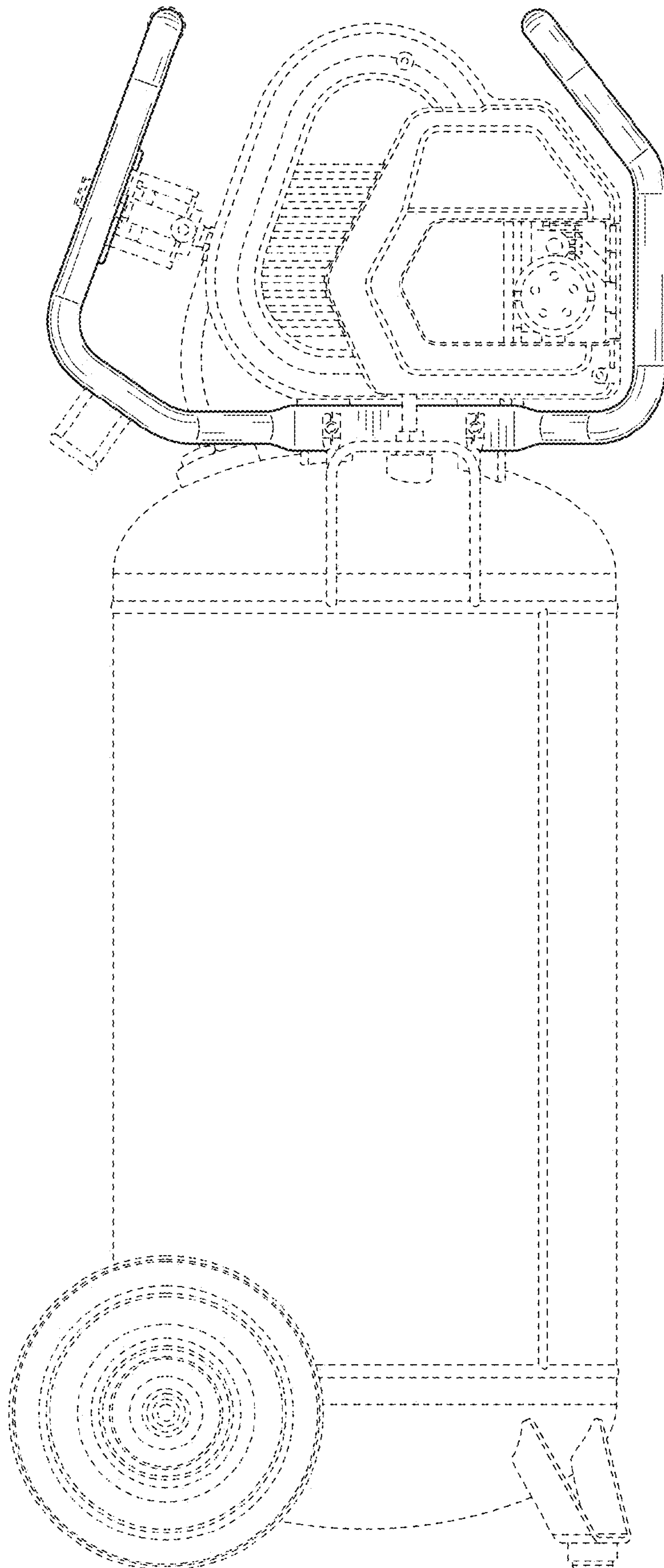


FIG. 5

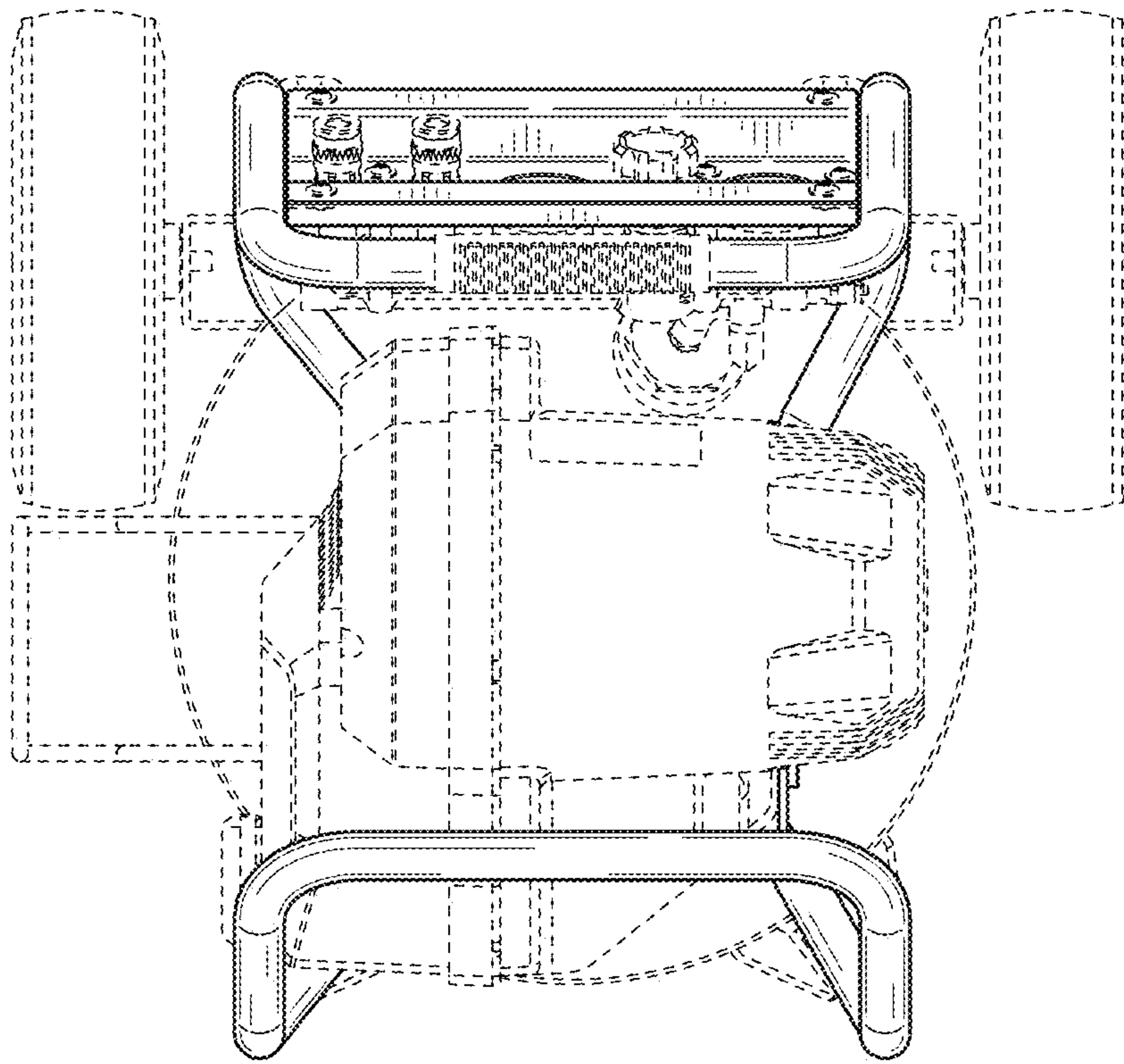


FIG. 6

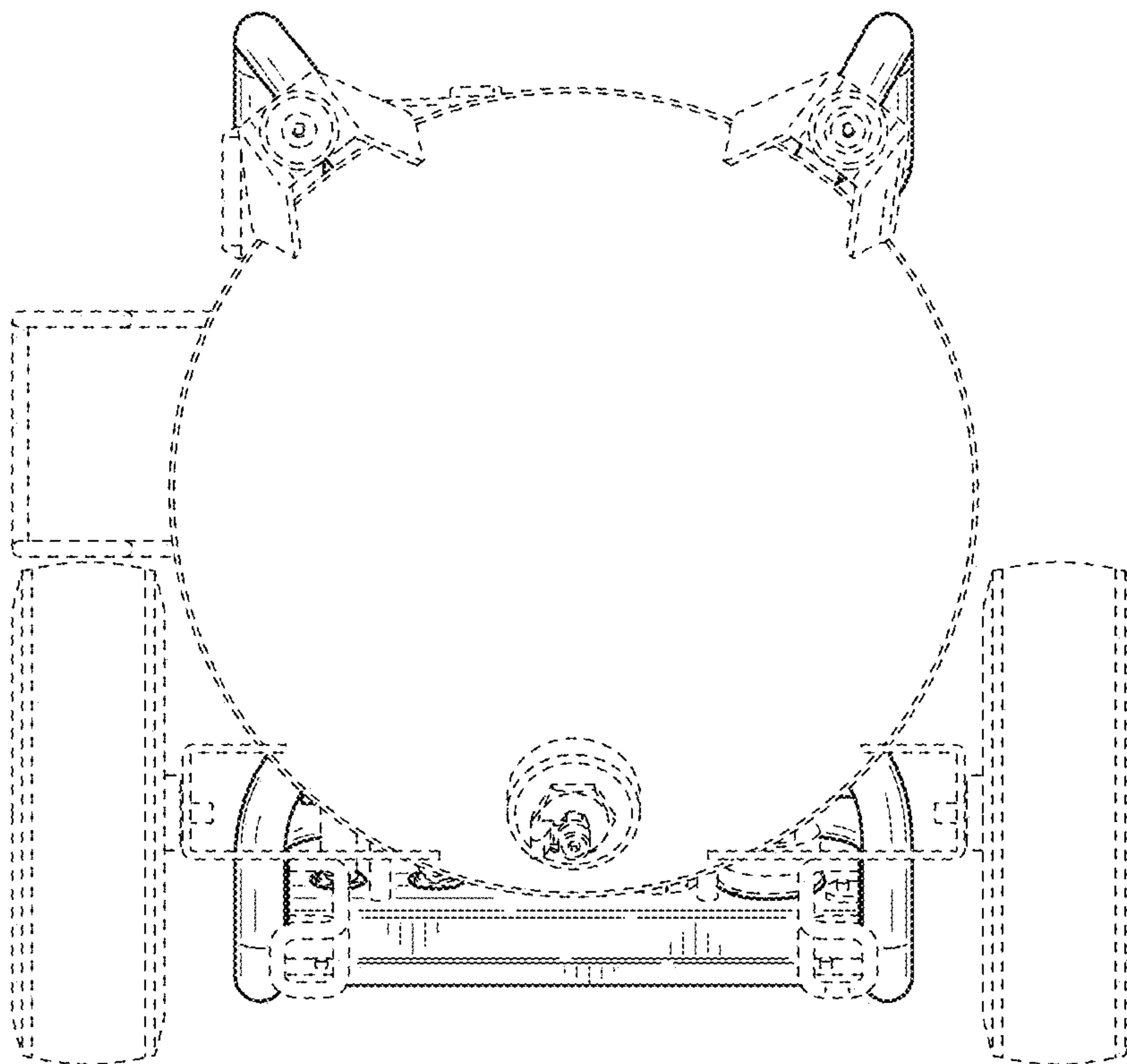


FIG. 7

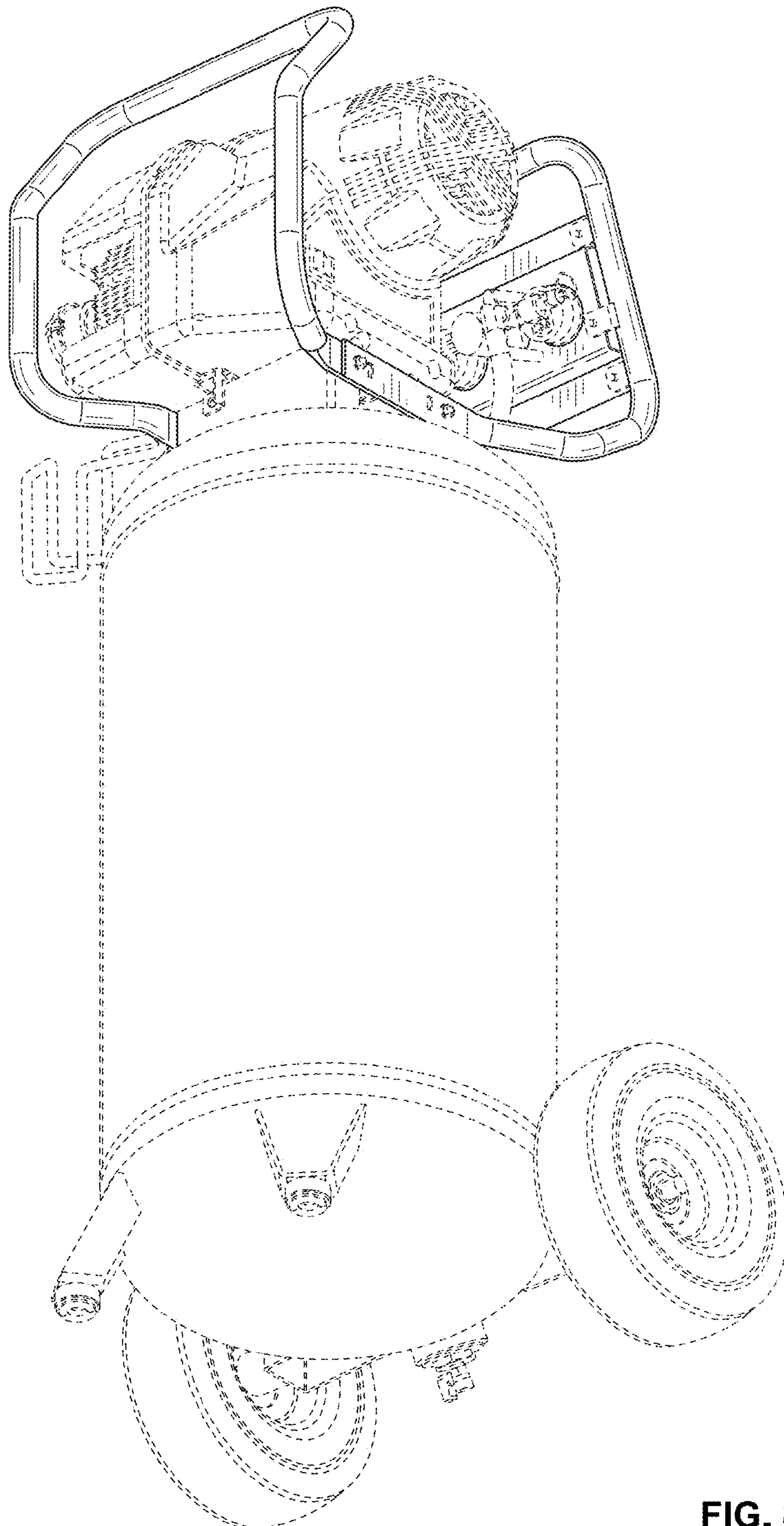


FIG. 8