



US00D900881S

(12) **United States Design Patent**  
**Venturi**

(10) **Patent No.:** **US D900,881 S**

(45) **Date of Patent:** **\*\* Nov. 3, 2020**

(54) **AIR COMPRESSOR**

(71) Applicant: **FIAC S.P.A.**, Sasso Marconi (Bologna)  
(IT)

(72) Inventor: **Adriano Venturi**, Sasso Marconi (IT)

(73) Assignee: **FIAC S.P.A.**, Sasso Marconi (IT)

(\*\*) Term: **15 Years**

(21) Appl. No.: **29/674,123**

(22) Filed: **Dec. 19, 2018**

(51) **LOC (12) Cl.** ..... **15-02**

(52) **U.S. Cl.**  
USPC ..... **D15/9**

(58) **Field of Classification Search**  
USPC ..... D15/7-9; D23/231, 232, 225  
CPC ..... F02M 37/04; F02M 37/14; F04B 53/92;  
F04B 1/005; F04D 13/06; F04D 29/22;  
F04D 29/046; F04D 29/2266  
See application file for complete search history.

(56) **References Cited**

**U.S. PATENT DOCUMENTS**

|            |   |         |          |       |       |
|------------|---|---------|----------|-------|-------|
| D356,800 S | * | 3/1995  | Chen     | ..... | D15/7 |
| D484,514 S | * | 12/2003 | Hsiao    | ..... | D15/9 |
| D485,281 S | * | 1/2004  | Hsiao    | ..... | D15/9 |
| D498,483 S | * | 11/2004 | Chen     | ..... | D15/9 |
| D507,799 S | * | 7/2005  | Chen     | ..... | D15/7 |
| D538,825 S | * | 3/2007  | Chen Han | ..... | D15/9 |
| D559,271 S | * | 1/2008  | Hsiao    | ..... | D15/7 |

|                 |   |         |             |       |              |
|-----------------|---|---------|-------------|-------|--------------|
| D575,308 S      | * | 8/2008  | Plunk       | ..... | D15/9        |
| D579,463 S      | * | 10/2008 | Plunk       | ..... | D15/9        |
| D582,945 S      | * | 12/2008 | Chou        | ..... | D15/9        |
| D595,741 S      | * | 7/2009  | Dickertmann | ..... | D15/7        |
| D605,666 S      | * | 12/2009 | Moser       | ..... | D15/9        |
| D617,347 S      | * | 6/2010  | Plunk       | ..... | D15/9        |
| D657,383 S      | * | 4/2012  | Wang        | ..... | D15/7        |
| D722,618 S      | * | 2/2015  | Wong        | ..... | D15/9        |
| D749,643 S      | * | 2/2016  | Craig       | ..... | D15/9        |
| D857,753 S      | * | 8/2019  | Tong        | ..... | D15/9        |
| 2018/0222715 A1 | * | 8/2018  | Hall        | ..... | B65H 75/4471 |

\* cited by examiner

*Primary Examiner* — Mitchell I. Siegel

(74) *Attorney, Agent, or Firm* — Shuttleworth & Ingersoll, PLC; Timothy Klima

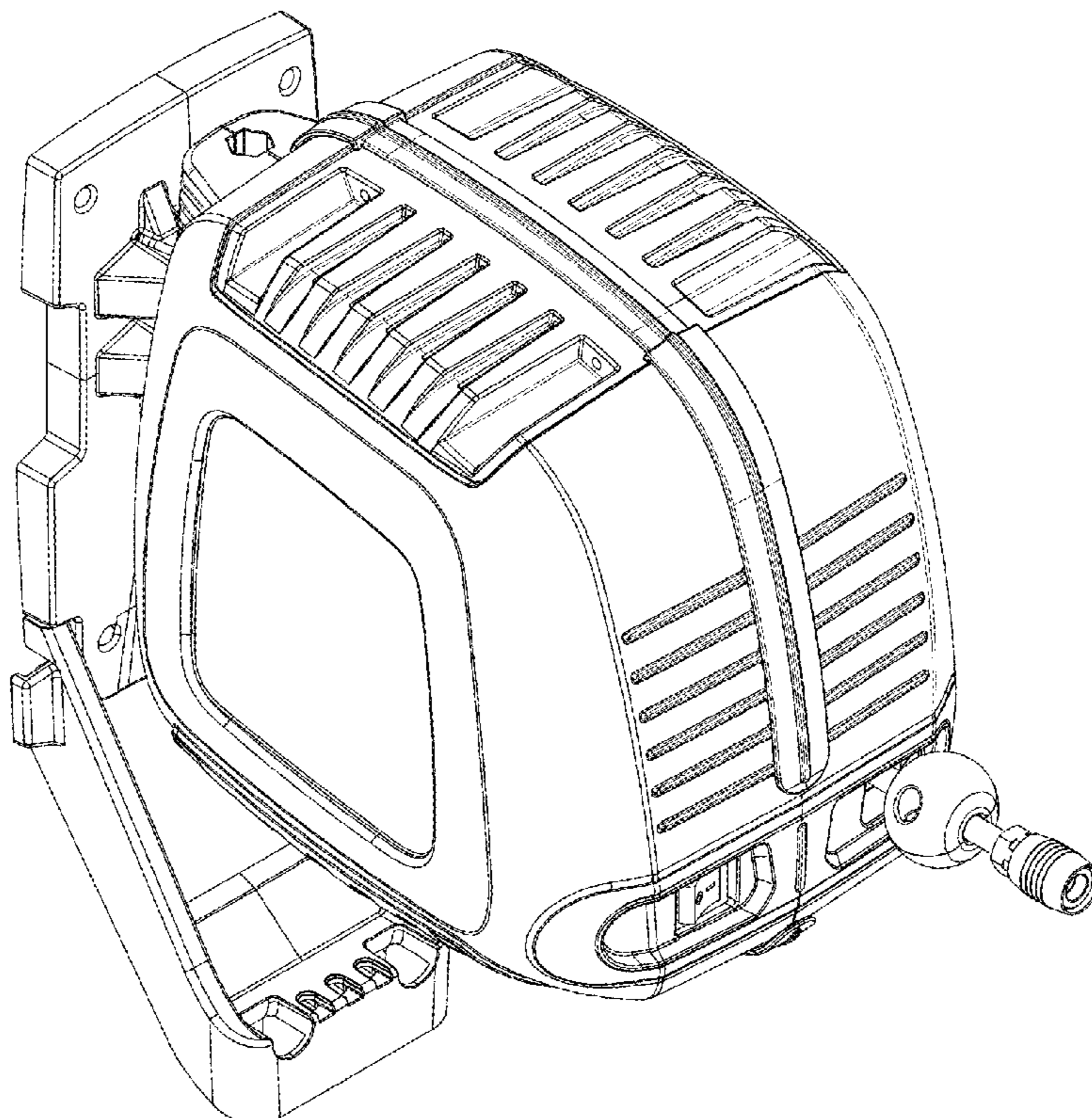
(57) **CLAIM**

The ornamental design for an air compressor, as shown and described.

**DESCRIPTION**

FIG. 1 is a perspective view of an air compressor, showing my new design;  
FIG. 2 is a left side elevational view thereof;  
FIG. 3 is a front elevational view thereof;  
FIG. 4 is a back elevational view thereof;  
FIG. 5 is a right side elevational view thereof;  
FIG. 6 is a top plan view thereof;  
FIG. 7 is a bottom plan view thereof; and,  
FIG. 8 is a perspective view of an air compressor.  
Any broken lines in the figures illustrate portions of the air compressor that form no part of the claimed design.

**1 Claim, 8 Drawing Sheets**



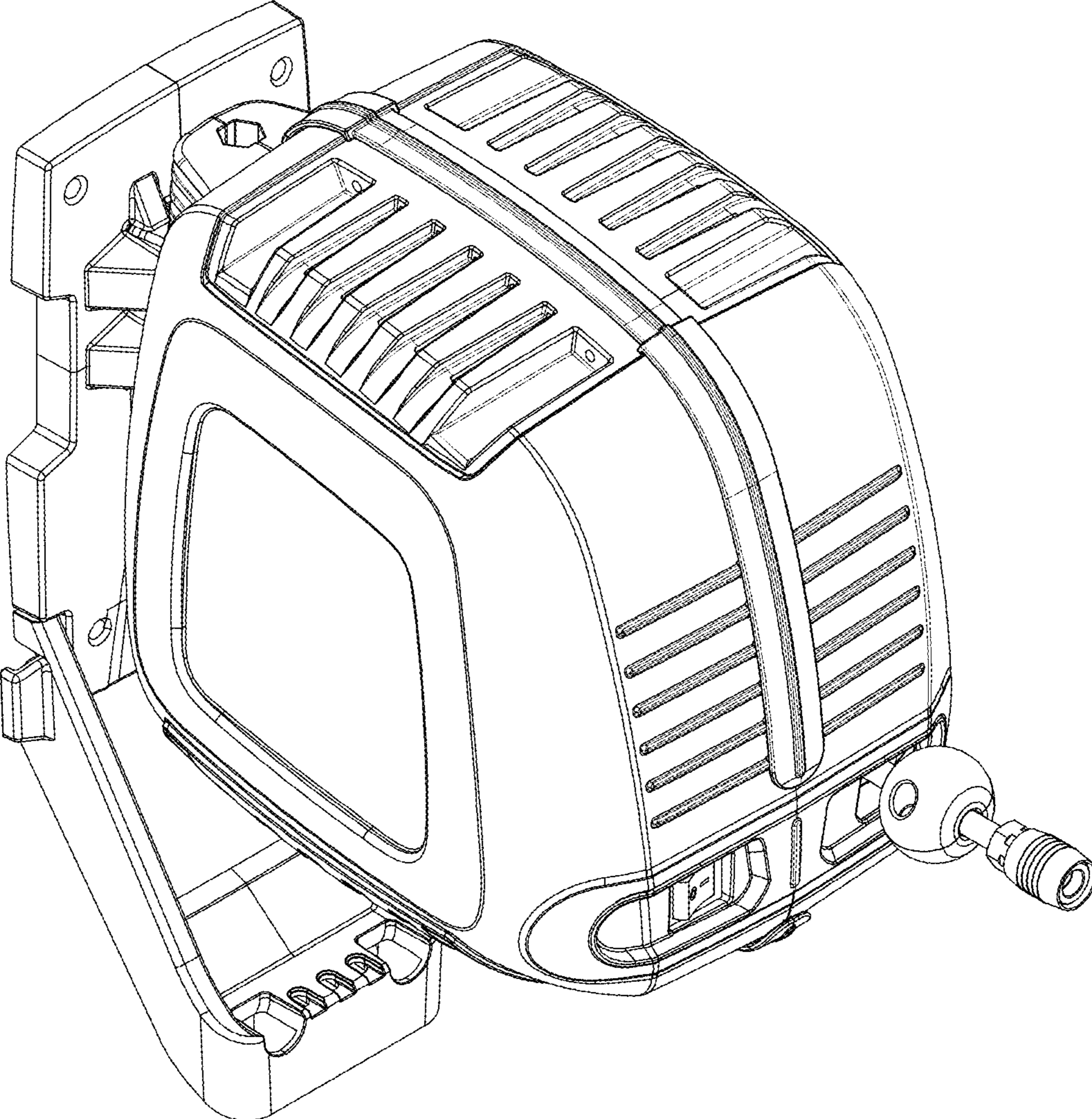


FIG. 1

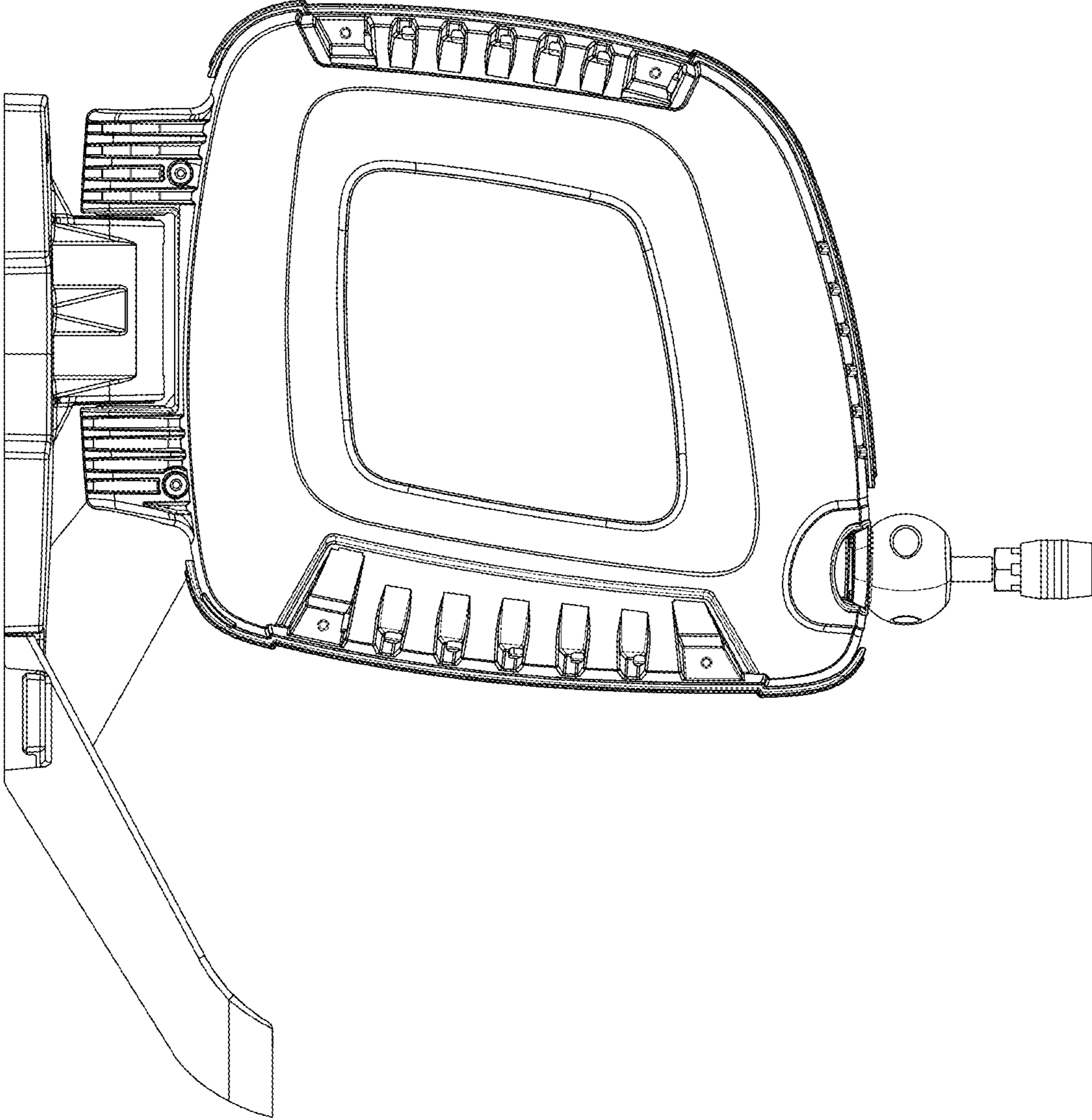


FIG. 2

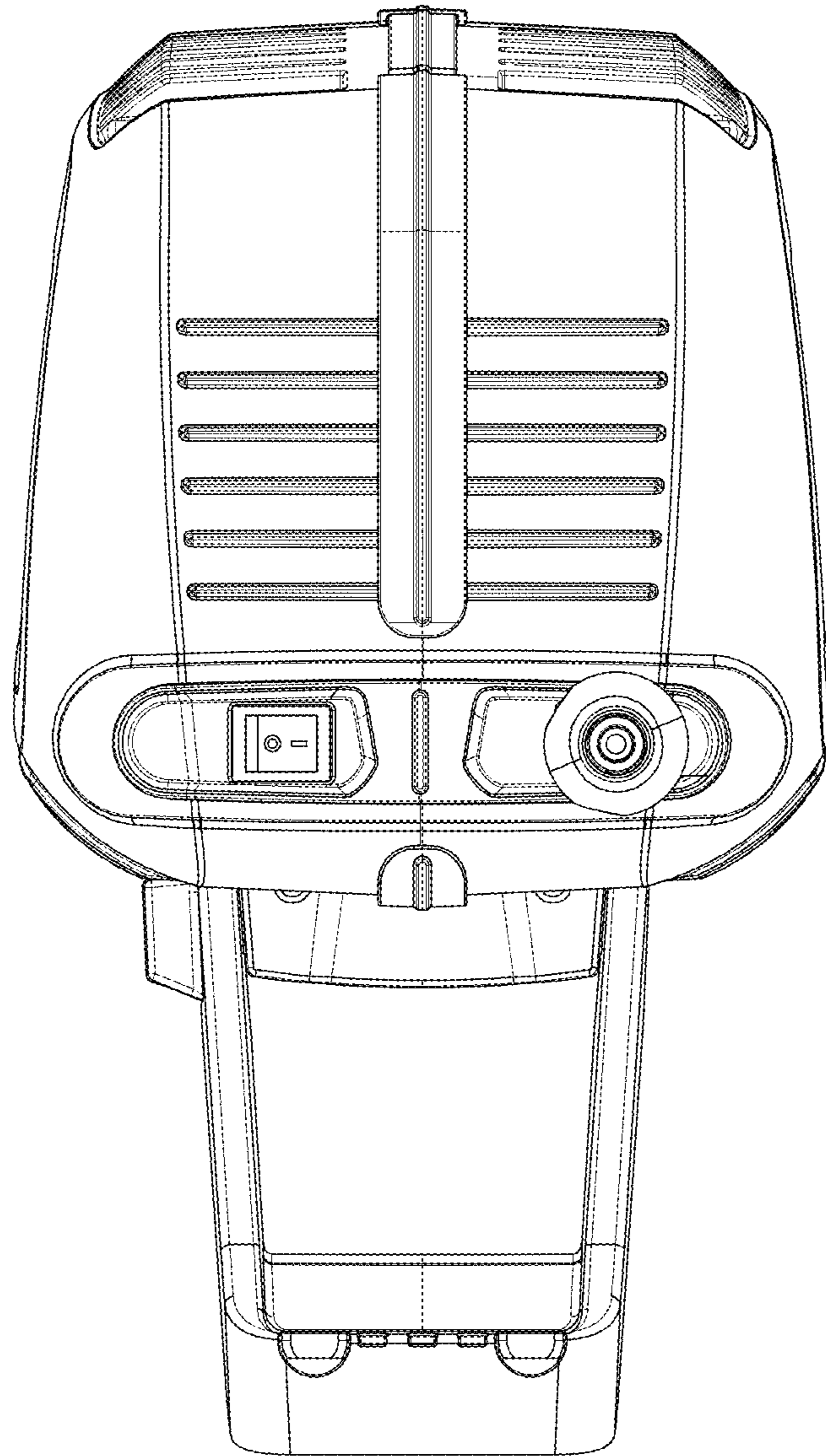


FIG. 3

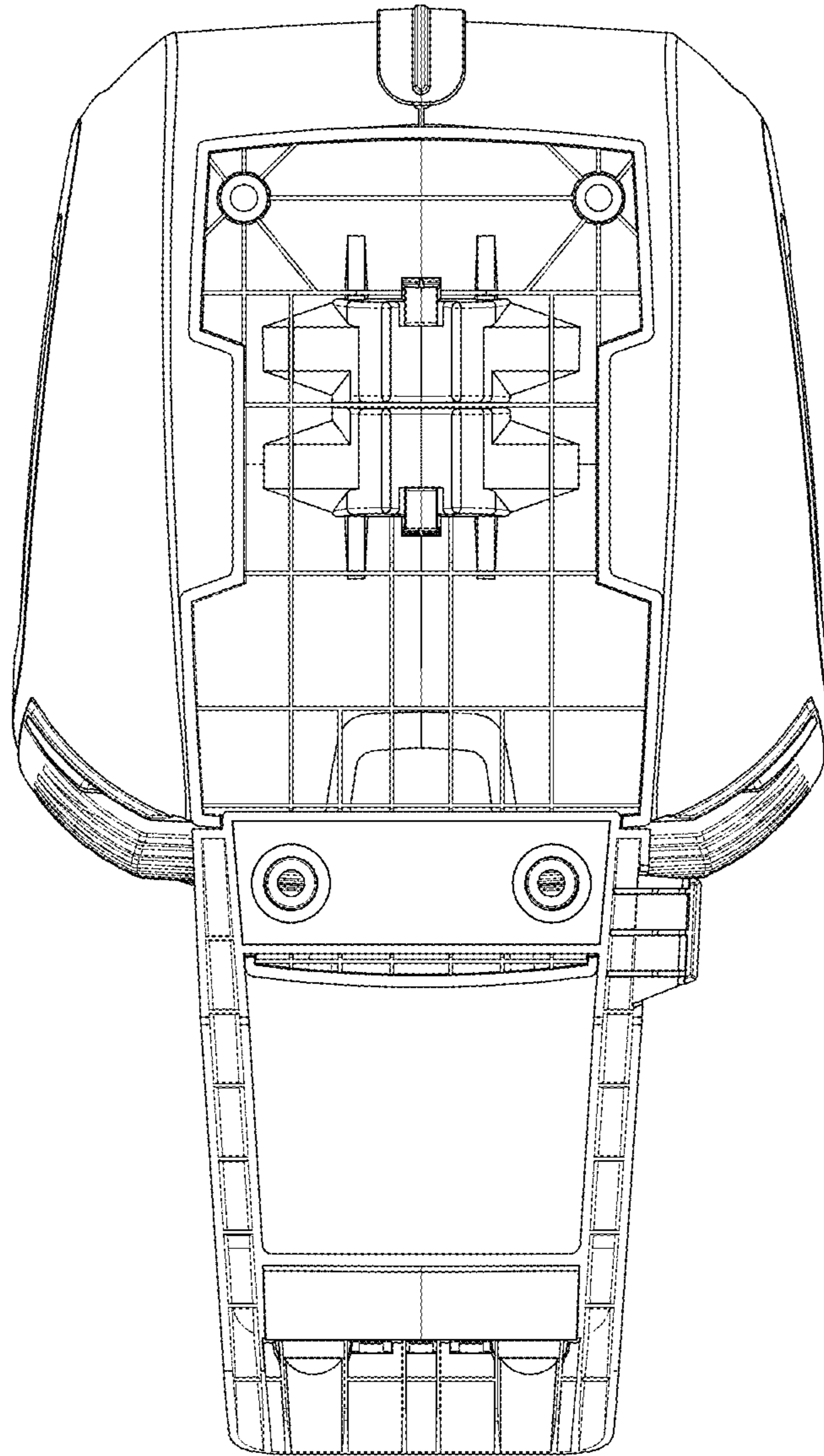


FIG. 4

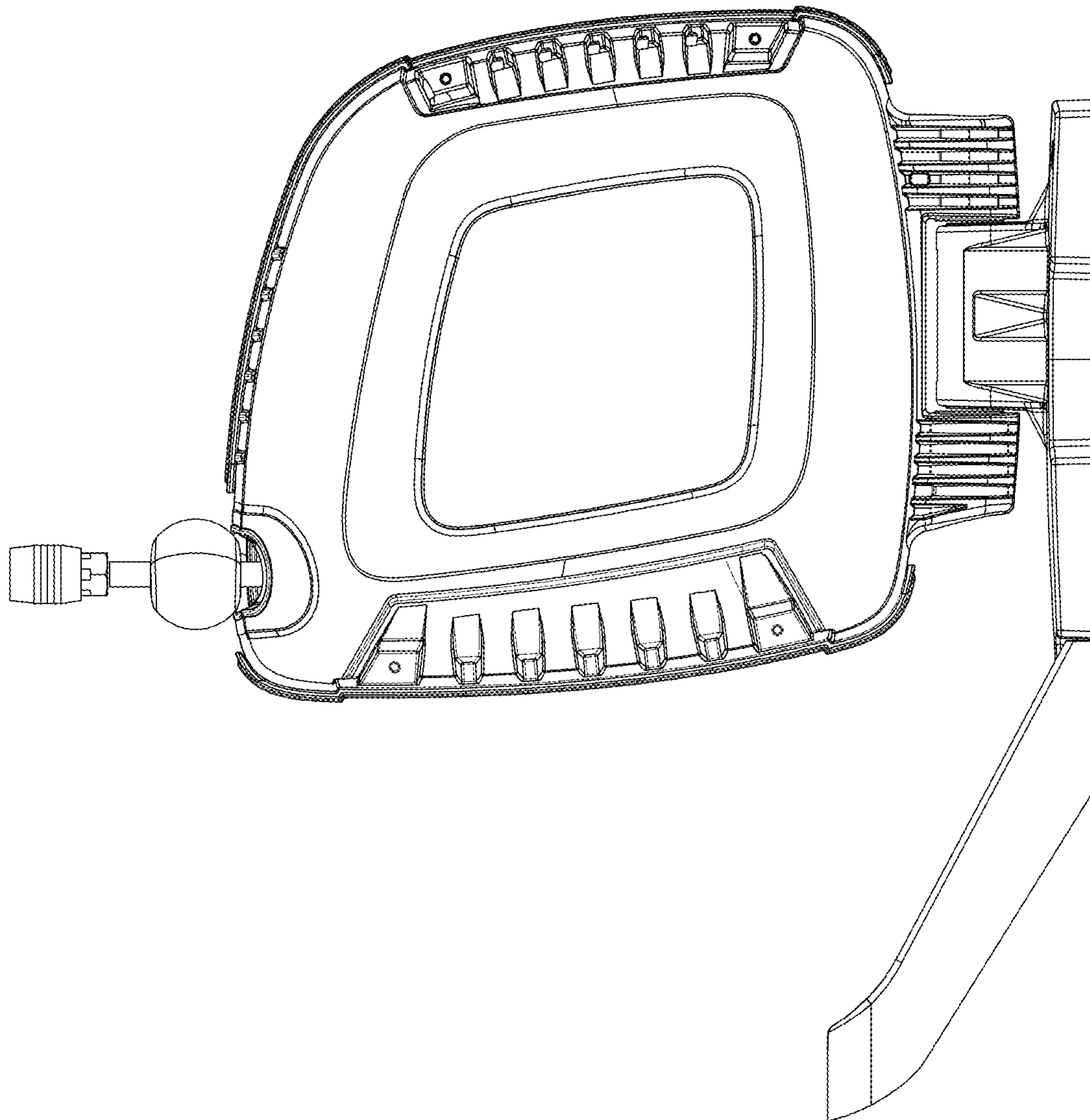


FIG. 5

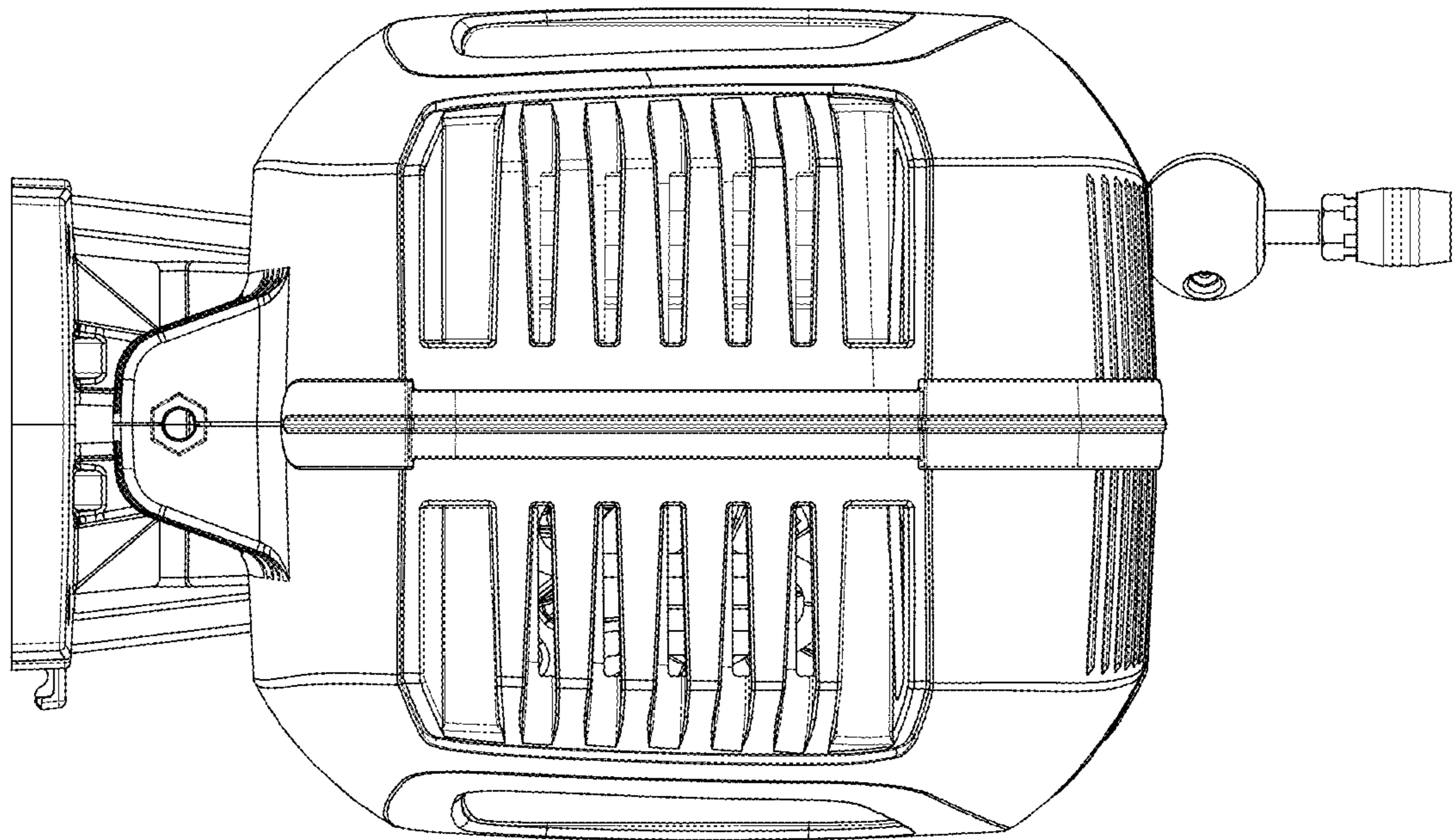


FIG. 6

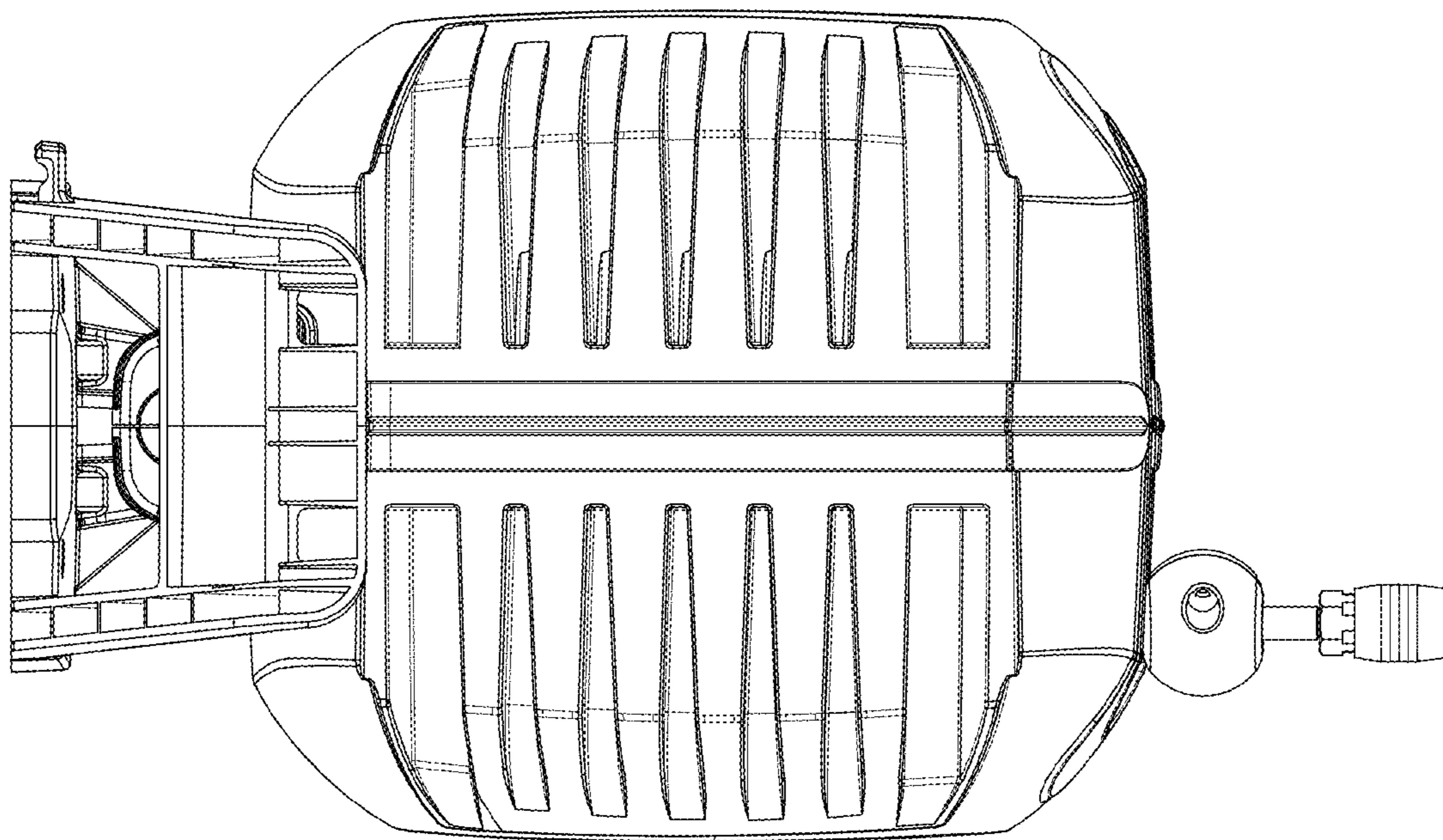


FIG. 7



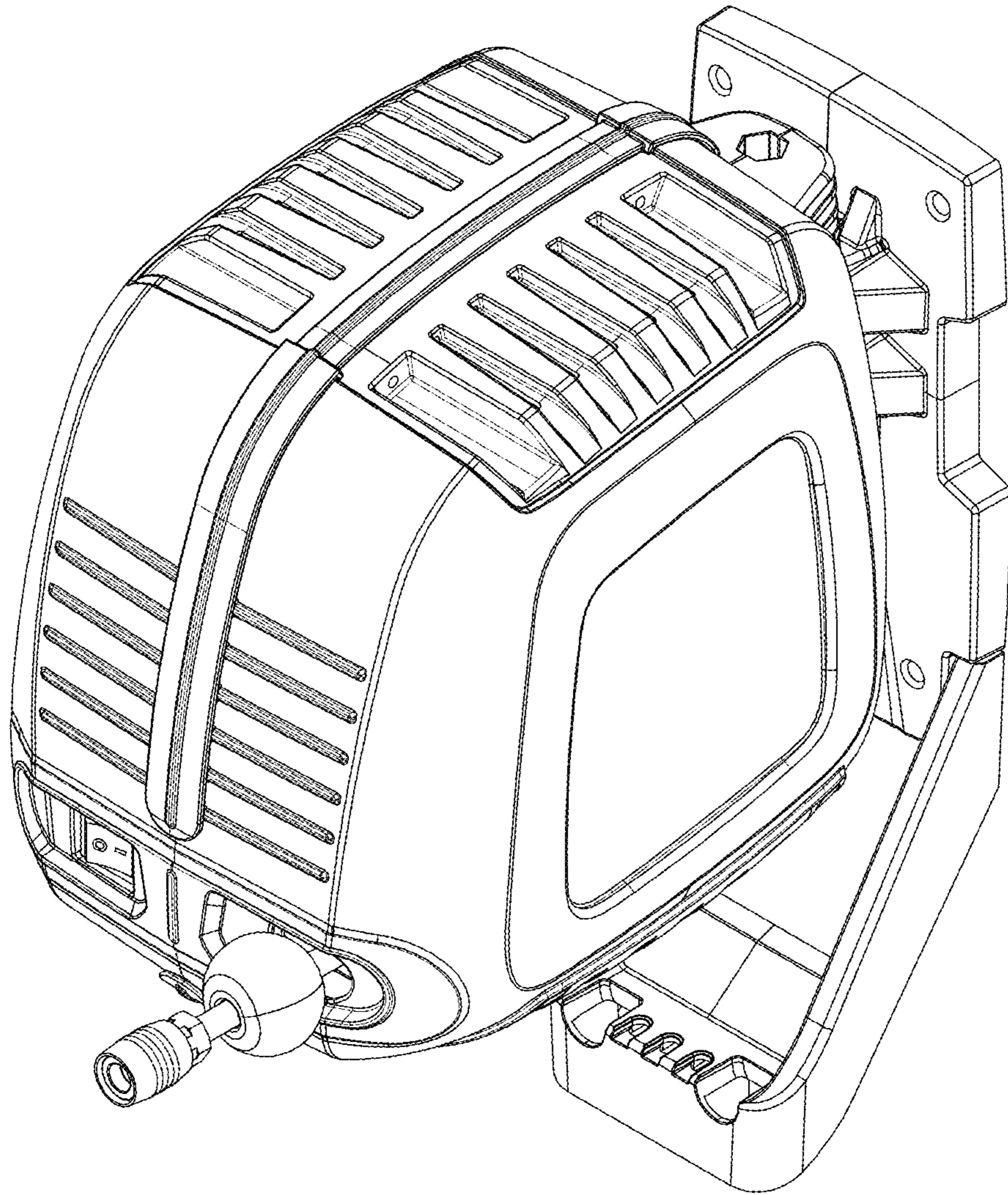


FIG. 8