

US00D900876S

(12) **United States Design Patent** (10) **Patent No.:** **US D900,876 S**
Bell et al. (45) **Date of Patent:** **** Nov. 3, 2020**

(54) **ELECTRONIC FUEL INJECTION THROTTLE BODY**

4,325,339 A 4/1982 Bier et al.
4,357,283 A 11/1982 Manning
4,434,762 A 3/1984 McCabe
4,434,763 A 3/1984 McCabe et al.
4,556,032 A 12/1985 Miller

(71) Applicant: **Holley Performance Products, Inc.**,
Bowling Green, KY (US)

(Continued)

(72) Inventors: **Robert M. Bell**, Bowling Green, KY
(US); **Barry Taylor**, Franklin, KY (US)

FOREIGN PATENT DOCUMENTS

(73) Assignee: **Holley Performance Products, Inc.**,
Bowling Green, KY (US)

AU 339157 10/2011
AU 341133 2/2012

(Continued)

(**) Term: **15 Years**

OTHER PUBLICATIONS

(21) Appl. No.: **29/688,819**

U.S. Appl. No. 16/404,308 entitled "Electronic Fuel Injection Throttle Body Assembly" filed May 6, 2019.

(22) Filed: **Apr. 24, 2019**

(Continued)

Related U.S. Application Data

(63) Continuation of application No. 29/647,068, filed on
May 9, 2018.

Primary Examiner — Ania Aman

(74) *Attorney, Agent, or Firm* — Middleton Reutlinger

(51) **LOC (12) Cl.** **15-01**

(57) **CLAIM**

(52) **U.S. Cl.**
USPC **D15/6**

The ornamental design for an electronic fuel injection throttle body, as shown and described.

(58) **Field of Classification Search**
USPC D15/1-6
CPC F02M 69/52; F02M 69/043; F02M 69/462;
F02M 69/54; F02M 63/0056; F02M
63/02; F02M 51/005; F02M 51/02; F02M
69/04; F02D 9/1035; F02D 9/105; F02D
11/10

DESCRIPTION

See application file for complete search history.

FIG. 1 is a first perspective view of an electronic fuel injection throttle body design;
FIG. 2 is a second perspective of the design of FIG. 1;
FIG. 3 is a front view of the design of FIG. 1;
FIG. 4 is a rear view of the design of FIG. 1;
FIG. 5 is a top view of the design of FIG. 1;
FIG. 6 is a bottom view of the design of FIG. 1;
FIG. 7 is a right side of the design of FIG. 1; and,
FIG. 8 is a left side view of the design of FIG. 1.

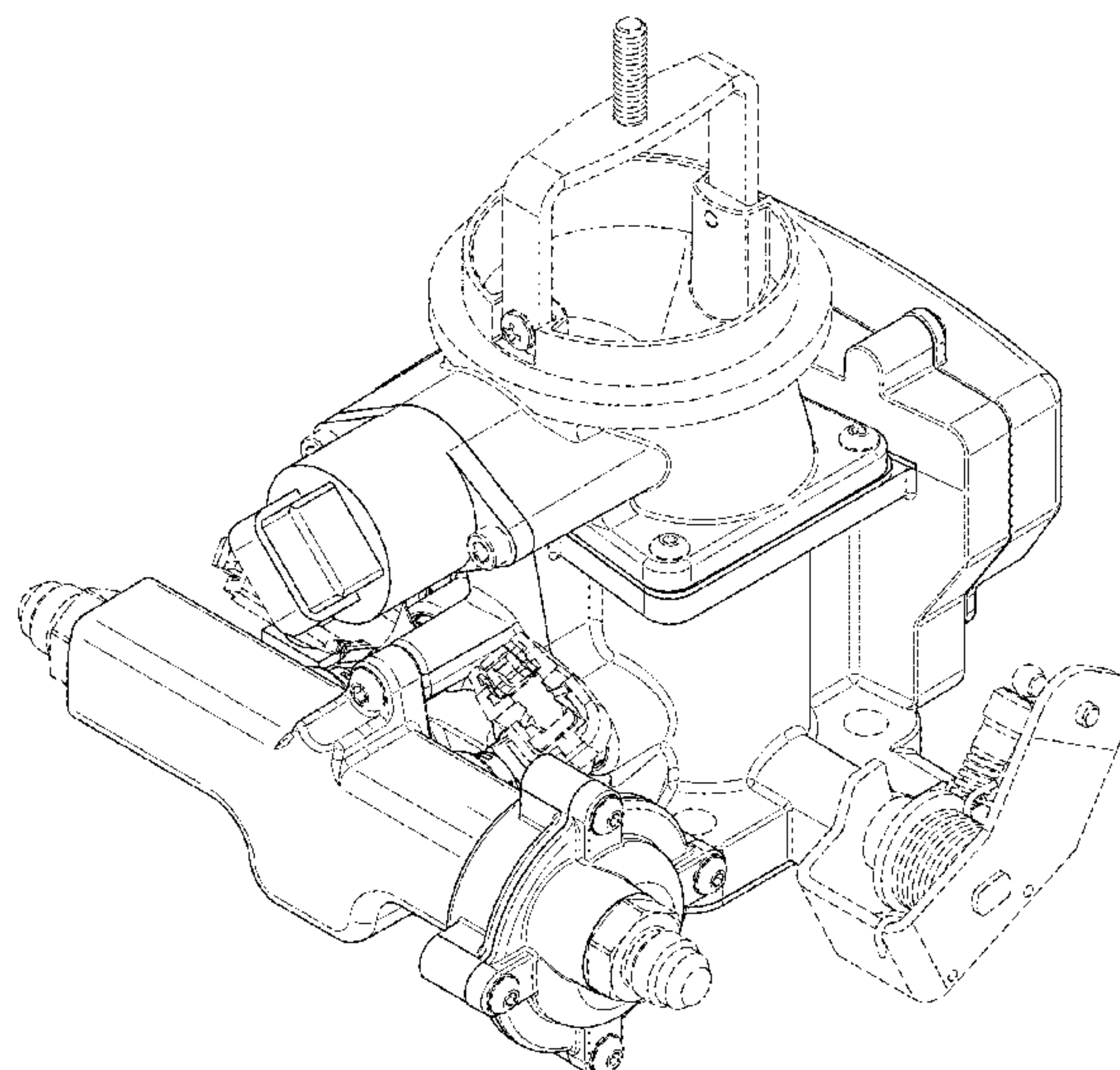
The broken lines shown in the drawings are included for the purpose of illustrating the unclaimed boundary and unclaimed portions of the electronic fuel injection throttle body. The broken lines form no part of the claimed design.

(56) **References Cited**

U.S. PATENT DOCUMENTS

4,224,908 A 9/1980 Bier et al.
4,230,645 A 10/1980 Dodson
4,246,875 A 1/1981 Bier et al.
4,294,282 A 10/1981 McCabe et al.
4,306,441 A 12/1981 Dodson
4,318,214 A 3/1982 Dodson

1 Claim, 8 Drawing Sheets



(56)

References Cited

U.S. PATENT DOCUMENTS

4,949,983	A	8/1990	Miller	
5,261,382	A	11/1993	Nikolai	
D447,147	S	8/2001	Grant	
6,481,698	B1	11/2002	Calvin et al.	
D508,496	S	8/2005	Grant	
D543,555	S	5/2007	Braswell et al.	
D555,668	S	11/2007	Benoit	
D578,550	S	10/2008	Benoit	
7,533,661	B2	5/2009	Baasch	
7,591,245	B2	9/2009	Baasch et al.	
D645,058	S	9/2011	Benoit	
D648,746	S	11/2011	Tipton et al.	
D655,311	S	3/2012	Gieske et al.	
D659,714	S	5/2012	Gieske et al.	
D721,389	S	1/2015	Gieske et al.	
9,115,671	B2	8/2015	Benoit	
9,303,578	B2	4/2016	Wittkopf et al.	
9,376,997	B1	6/2016	Farrell et al.	
D760,804	S	7/2016	Shehan et al.	
9,482,198	B1	11/2016	Farrell et al.	
9,845,740	B2	12/2017	Wittkopf et al.	
D808,435	S	1/2018	Shehan et al.	
D810,142	S	2/2018	Shehan et al.	
10,012,197	B2	7/2018	Flynn et al.	
D826,280	S	8/2018	Koo et al.	
10,094,353	B2	10/2018	Bennett et al.	
D868,838	S *	12/2019	Liang	D15/5
2008/0230034	A1	9/2008	Dunn	
2009/0013955	A1	1/2009	Sheridan et al.	
2009/0145406	A1	6/2009	Farrell et al.	
2011/0120413	A1 *	5/2011	Runia	F02D 9/1035 123/337
2013/0054121	A1	2/2013	Casoni et al.	
2013/0298868	A1 *	11/2013	Wittkopf	F02D 41/08 123/339.14
2013/0298871	A1	11/2013	Bennett et al.	
2015/0108256	A1	4/2015	Flynn et al.	
2017/0198672	A1	7/2017	Farrell et al.	
2018/0119656	A1	5/2018	Shehan et al.	

FOREIGN PATENT DOCUMENTS

AU	348732	5/2013
AU	348733	5/2013
AU	348734	5/2013
AU	356762	8/2014
AU	201710470	2/2017
AU	201710471	2/2017
AU	2013254906	11/2017
AU	201813353	8/2018
AU	201813355	8/2018
AU	201815034	9/2018
AU	201815036	9/2018
AU	201816623	12/2018
AU	201816624	12/2018
CA	184482	9/2019
CN	101568711	4/2013
EM	003729599	1/2017

OTHER PUBLICATIONS

U.S. Appl. No. 16/405,519 entitled “Electronic Fuel Injection Throttle Body Assembly” filed May 7, 2019.

U.S. Appl. No. 29/693,670 entitled “EFI Throttle Body” filed Jun 4, 2019.

U.S. Appl. No. 29/695,154 entitled “EFI Throttle Body” filed Jun 17, 2019.

U.S. Appl. No. 29/696,092 entitled “Electronic Fuel Injection Throttle Body” filed Jun 25, 2019.

International Search Report and Written Opinion for PCT/US2019/030909 dated Aug. 20, 2019.

International Search Report and Written Opinion for PCT/US2019/031138 dated Aug. 27, 2019.

Youtube video, “Holley Terminator EFI Kit Electronic Fuel Injection”, May 6, 2015, retrieved on Jul. 1, 2019. Retrieved from <https://www.youtube.com/watch?v=hrTppUkNAn0>.

U.S. Appl. No. 29/628,392 entitled “EFI Throttle Body” filed Dec. 4, 2017.

Holley Performance Products, Inc., 2017 New & Hot Products Catalogue—Carburetors, Nov. 1, 2016.

U.S. Appl. No. 62/594,526 entitled “Electronic Fuel Injection Throttle Body Assembly” filed Dec. 4, 2017.

Australian Patent Application No. 2017251869 entitled “Electronic Fuel Injection Throttle Body Assembly” filed Oct. 30, 2017.

U.S. Appl. No. 62/594,527 entitled “Electronic Fuel Injection Throttle Body Assembly” filed Dec. 4, 2017.

U.S. Appl. No. 29/628,394 entitled “EFI Throttle Body” filed Dec. 4, 2017.

U.S. Appl. No. 62/669,052 entitled “Electronic Fuel Injection Throttle Body Assembly” filed May 3, 2018.

U.S. Appl. No. 15/986,571 entitled “Fuel Injection Throttle Body” filed May 22, 2018.

U.S. Appl. No. 16/208,246 entitled “Electronic Fuel Injection Throttle Body Assembly” filed Dec. 3, 2018.

U.S. Appl. No. 291647,060 entitled “Electronic Fuel Injection Throttle Body” filed May 9, 2018.

U.S. Appl. No. 62/669,094 entitled “Electronic Fuel Injection Throttle Body Assembly” filed May 9, 2018.

U.S. Appl. No. 62/726,723 entitled “Electronic Fuel Injection Throttle Body Assembly” filed Sep. 4, 2018.

Mopar Performance P5249686 Jeep MPI-Fuel, Sep. 2, 2016.

Howell EFI Fuel Injection Conversion Kit, JP258, Apr. 29, 2015.

F.A.S.T. EZ-EFI Self-Tuning Fuel Injection Systems 30294-Kit TBI Conversion Kit, Jun. 30, 2015.

U.S. Appl. No. 16/208,231 entitled “Electronic Fuel Injection Throttle Body Assembly” filed Dec. 3, 2018.

International Search Report and Written Opinion for PCT/US2018/063660 dated Mar. 20, 2019.

International Search Report and Written Opinion for PCT/US2018/063668 dated Mar. 20, 2019.

Canadian Design Patent Application No. 184483 2 entitled “Electronic Fuel Injection Throttle Body” filed Oct. 31, 2018.

Canadian Design Patent Application No. 184482 entitled “Electronic Fuel Injection Throttle Body” filed Oct. 31, 2018.

Mexican Design Patent Application No. MX/f/2018/003332 entitled “Electronic Fuel Injection Throttle Body” filed Nov. 8, 2018.

Mexican Design Patent Application No. MX/f/2018/003333 entitled “Electronic Fuel Injection Throttle Body” filed Nov. 8, 2018.

U.S. Appl. No. 29/647,068 entitled “Electronic Fuel Injection Throttle Body” filed May 9, 2018.

Werner, Juk, Baudelio & CIA., S.C., Letter notifying of the Mexican Notice of Allowance in App. No. MX/f/2018/003333, Oct. 3, 2019.

* cited by examiner

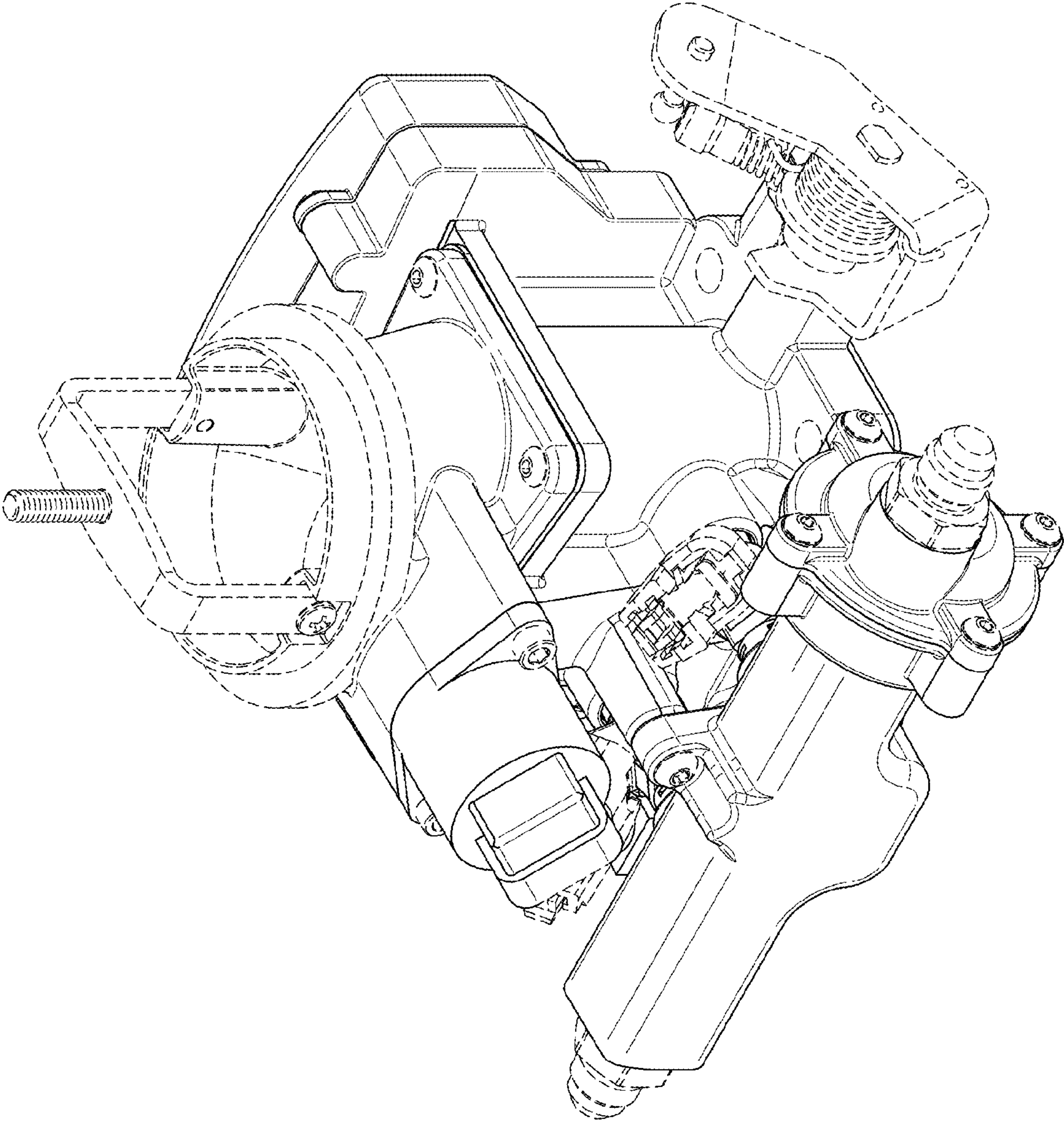


FIG. 1

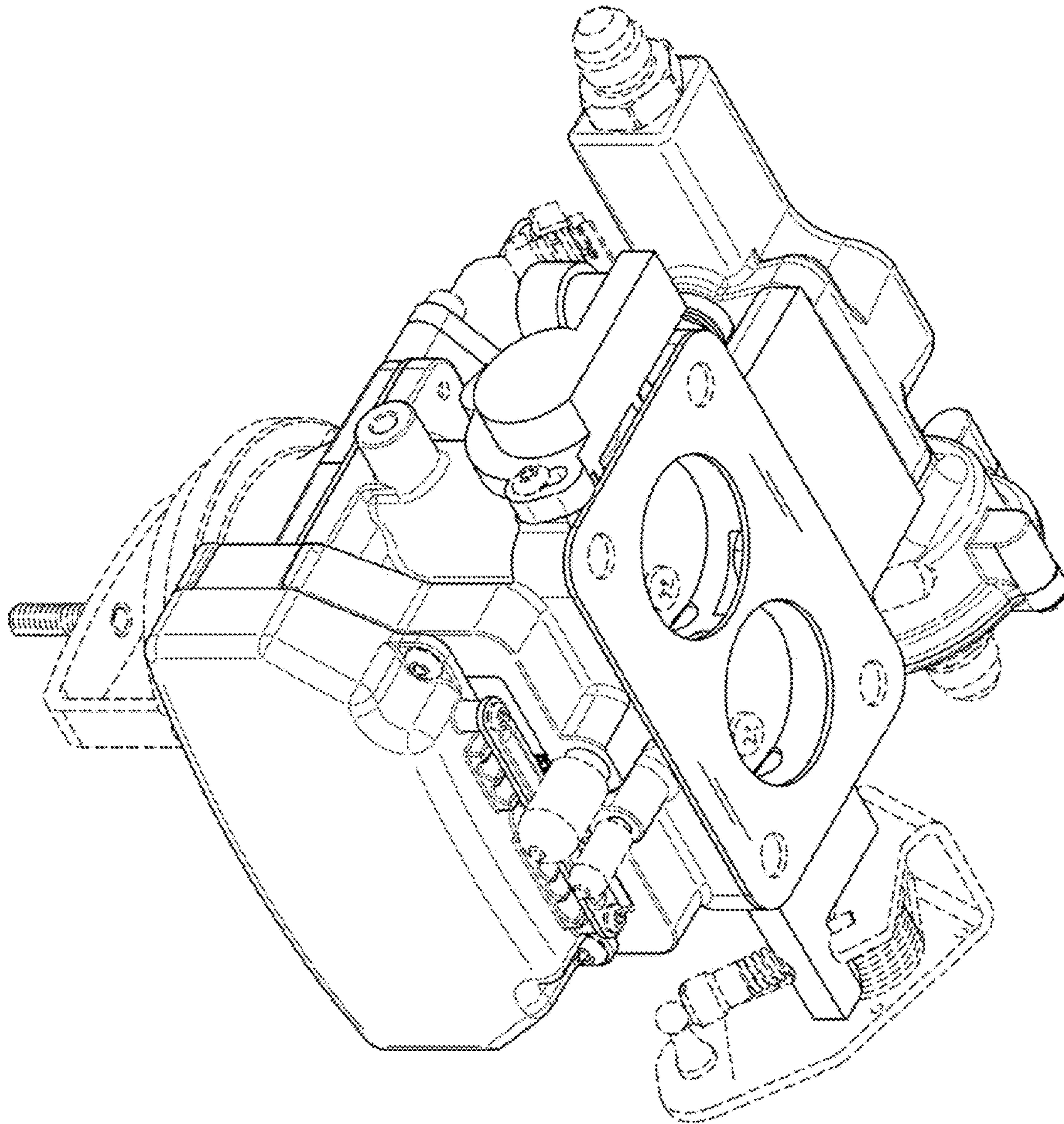


FIG. 2

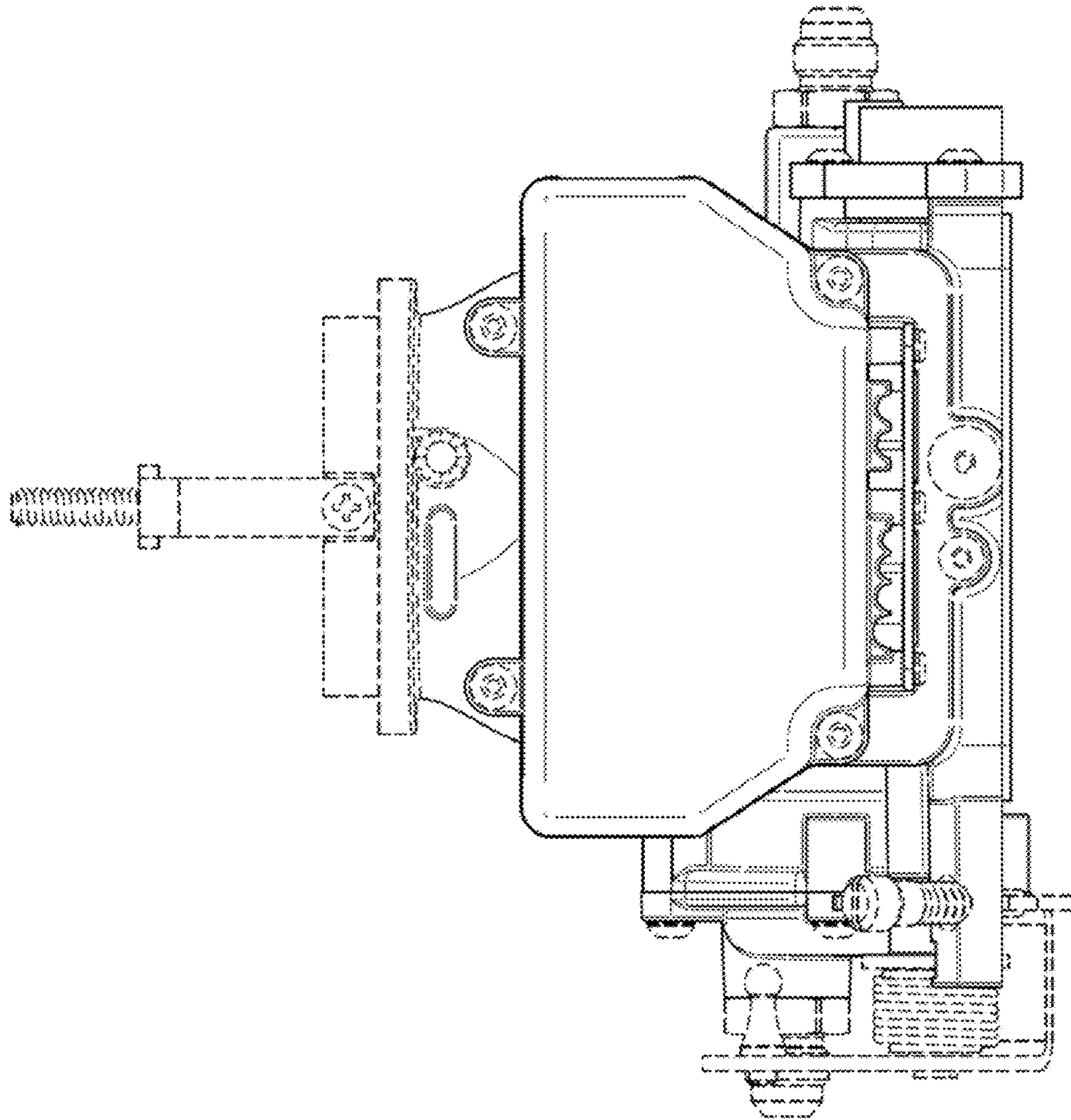


FIG. 3

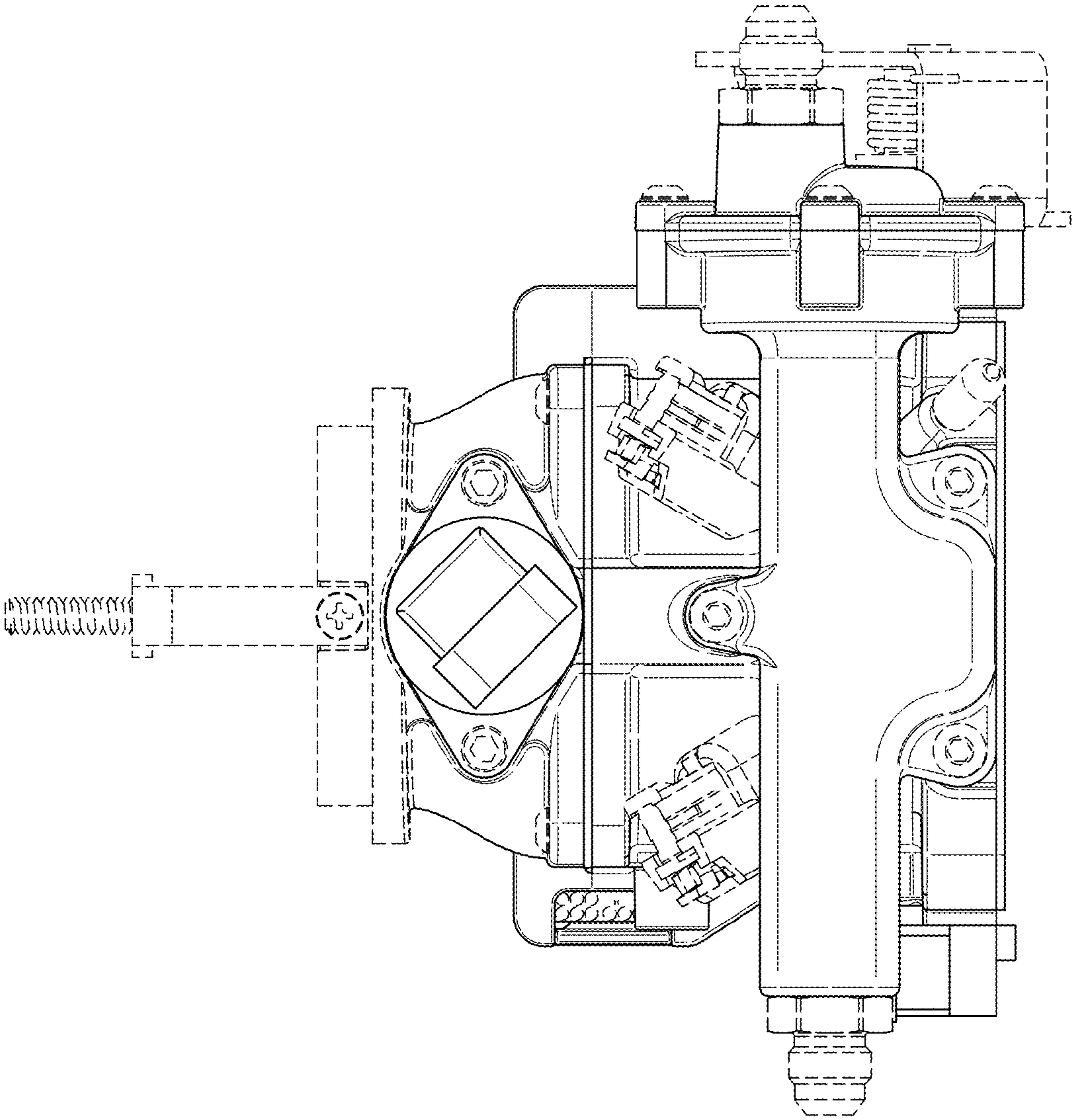


FIG. 4

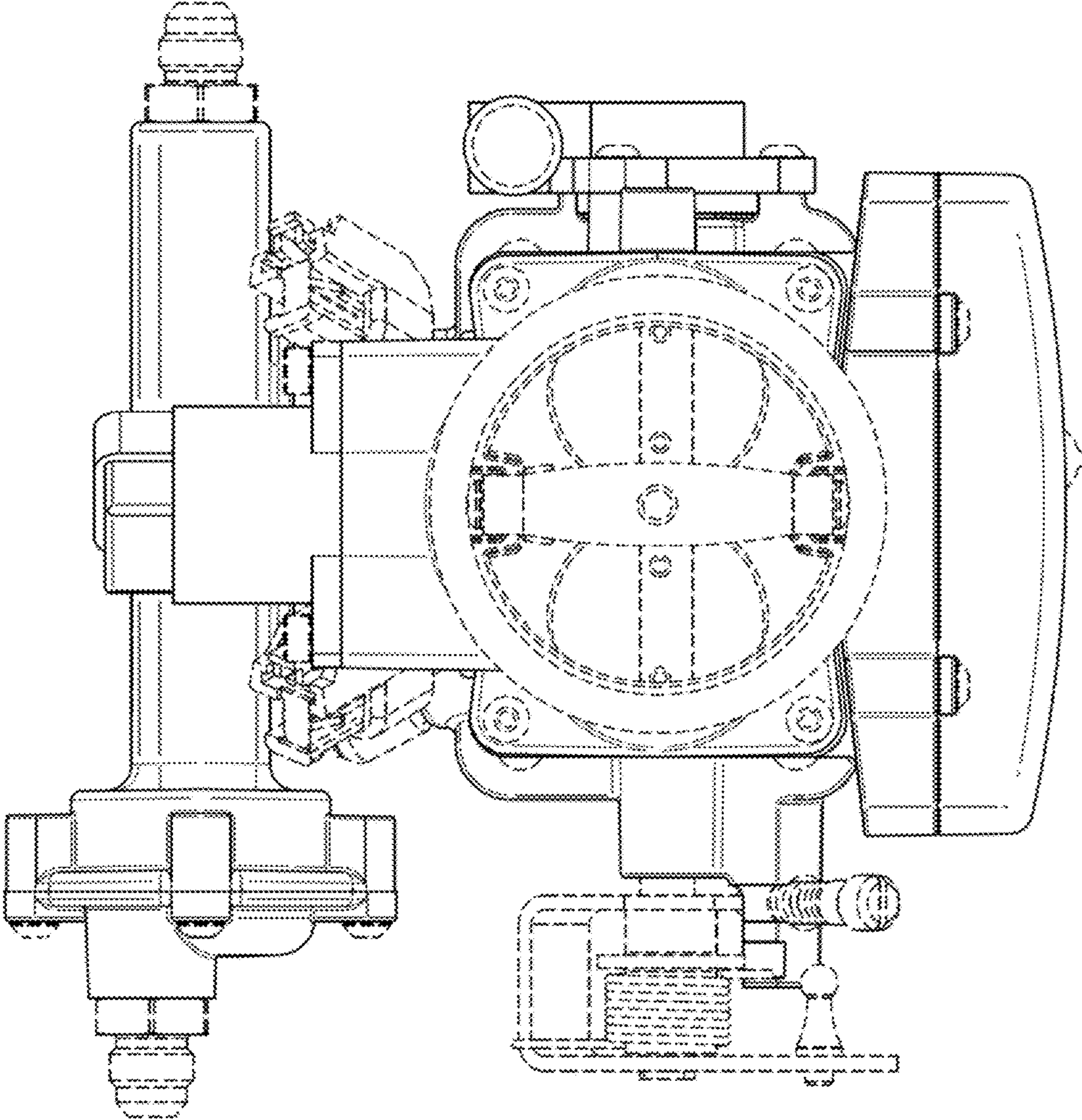


FIG. 5

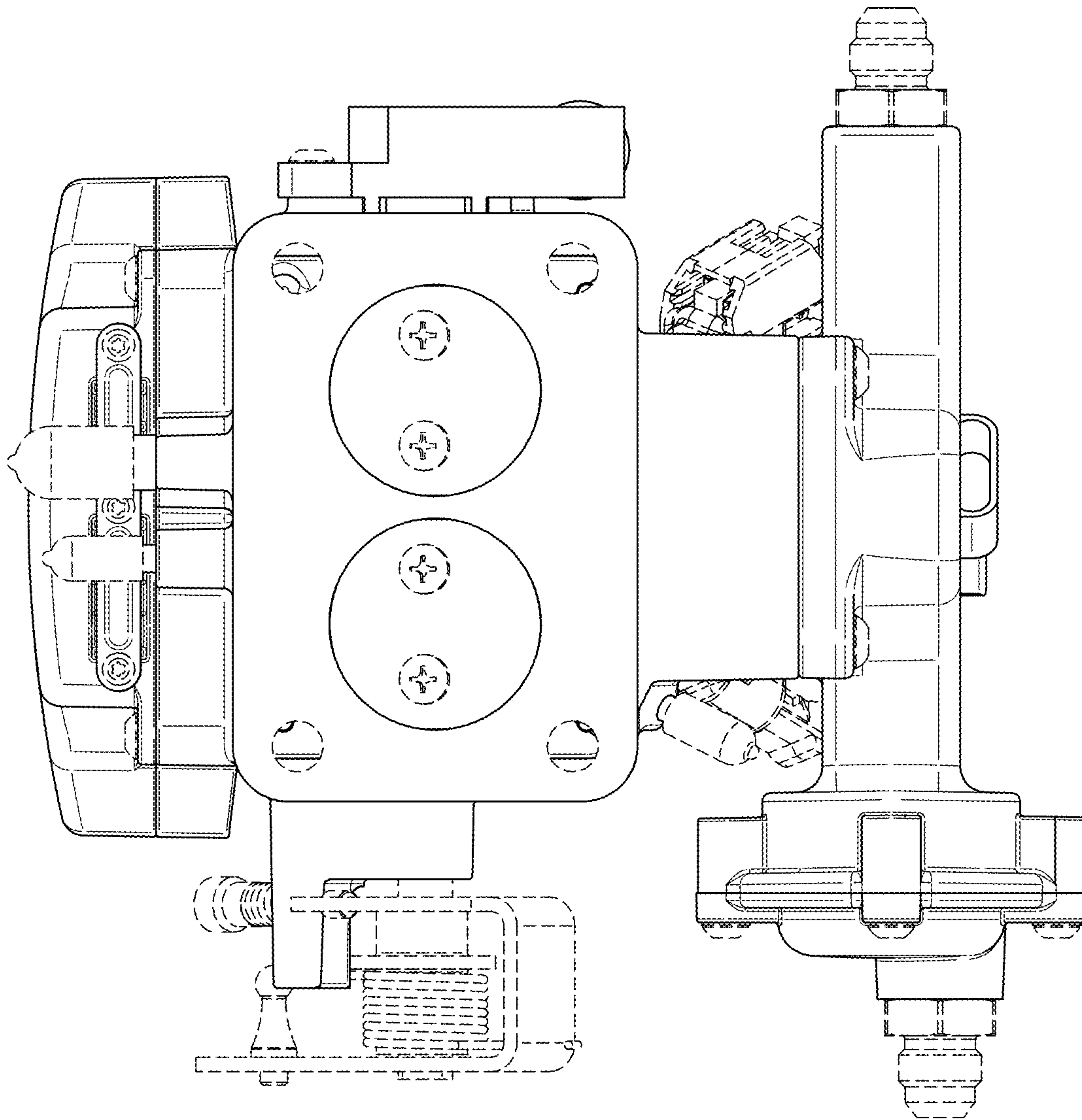


FIG. 6

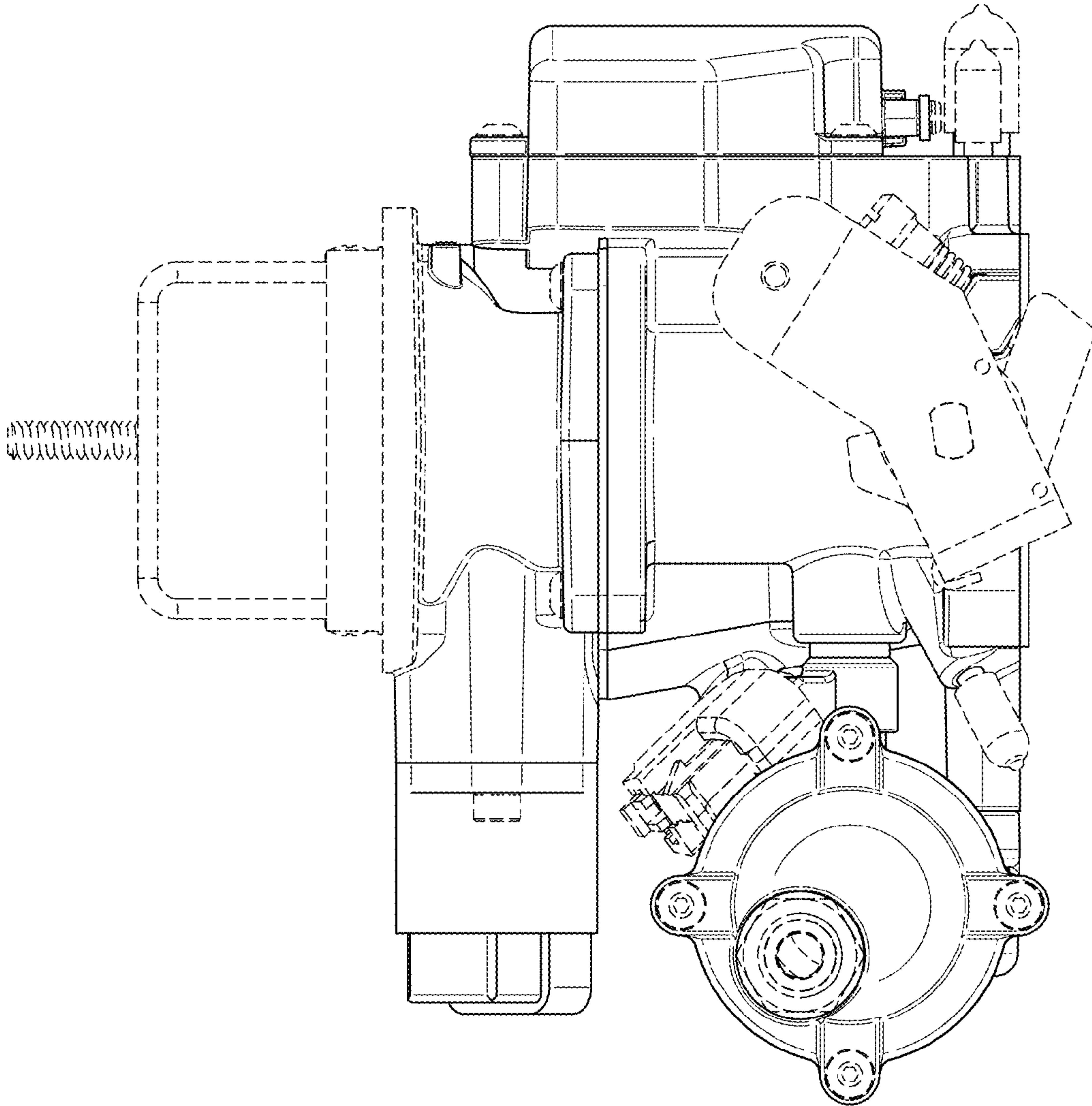


FIG. 7

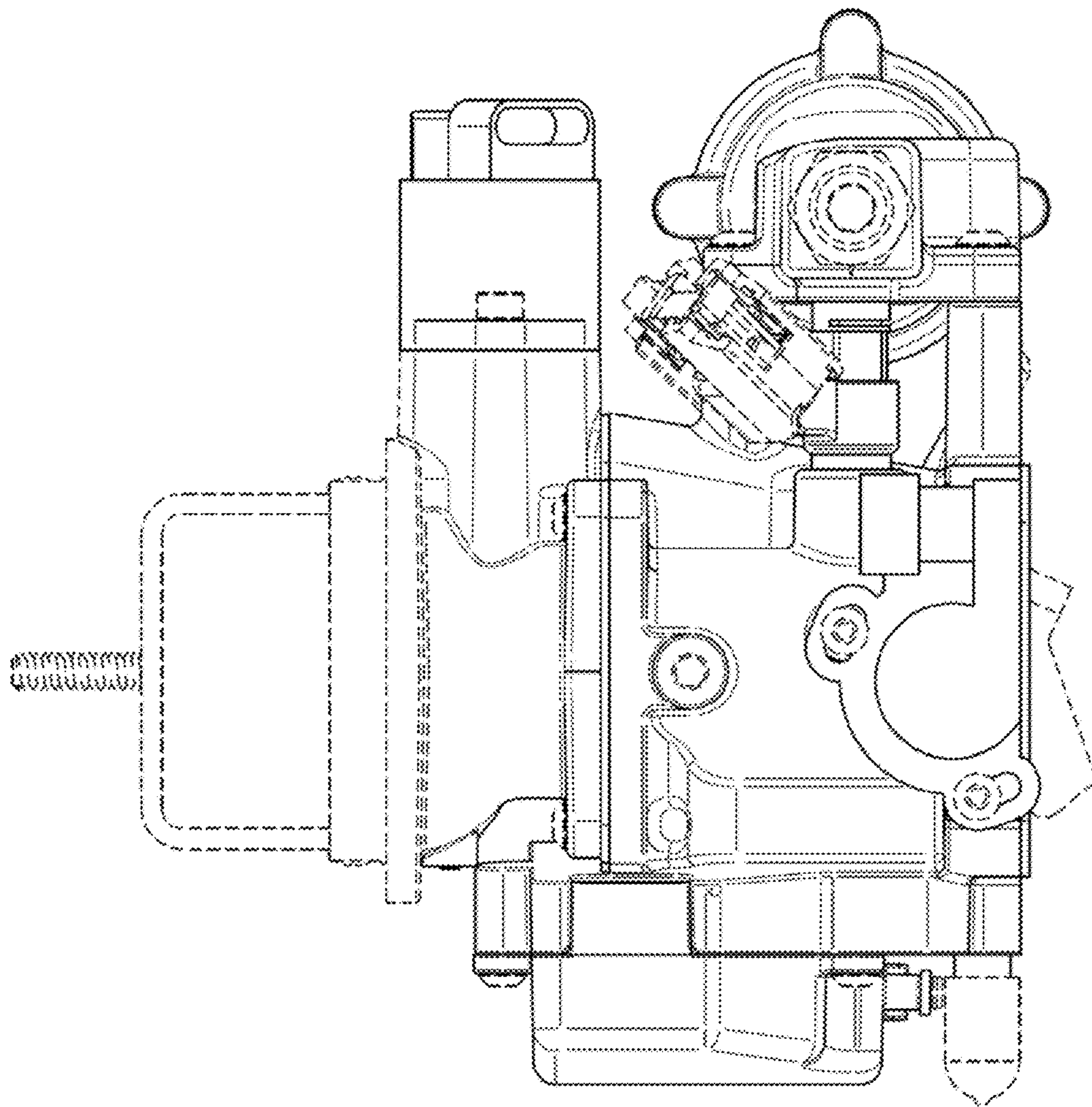


FIG. 8