



US00D900874S

(12) **United States Design Patent**
Hillman et al.

(10) **Patent No.:** **US D900,874 S**

(45) **Date of Patent:** **** Nov. 3, 2020**

- (54) **DIFFERENTIAL CASE**
- (71) Applicant: **EATON CORPORATION**, Cleveland, OH (US)
- (72) Inventors: **Chad R. Hillman**, Ceresco, MI (US);
Mark J. Shewchuck, Charlotte, MI (US)
- (73) Assignee: **Eaton Intelligent Power Limited**, Dublin (IE)
- (**) Term: **15 Years**

6,254,505 B1 *	7/2001	Forrest	F16H 48/08 475/150
6,715,536 B1 *	4/2004	Jensen	B22C 7/023 164/235
6,889,742 B1 *	5/2005	Jensen	B22C 9/046 164/34
7,022,041 B2 *	4/2006	Valente	F16H 48/10 475/252
7,361,116 B2	4/2008	Kyle et al.		
7,438,661 B2	10/2008	Kyle et al.		
8,167,763 B2	5/2012	Curtis		
8,591,373 B2	11/2013	Shibagaki		
D711,445 S *	8/2014	Creager	D15/148
9,127,760 B1 *	9/2015	Potter	F16H 48/40
D816,121 S *	4/2018	Fox	D15/5
10,337,598 B2	7/2019	Bongard et al.		
2005/0070394 A1	3/2005	Sugeta et al.		
2005/0215378 A1	9/2005	Peter et al.		

- (21) Appl. No.: **29/584,760**
- (22) Filed: **Nov. 17, 2016**
- (51) **LOC (12) Cl.** **15-01**
- (52) **U.S. Cl.**
USPC **D15/5**
- (58) **Field of Classification Search**
USPC D15/1-6
CPC F16H 48/40; F16H 2048/405; F16H 2048/382; F16H 48/38; F16H 48/00; F16H 2048/387; F16H 48/22; F16H 48/08; F16H 48/32
See application file for complete search history.

(Continued)

FOREIGN PATENT DOCUMENTS

- WO WO-2015/060890 A1 4/2015
- Primary Examiner* — Ania Aman
- (74) *Attorney, Agent, or Firm* — Mei & Mark LLP

(57) **CLAIM**

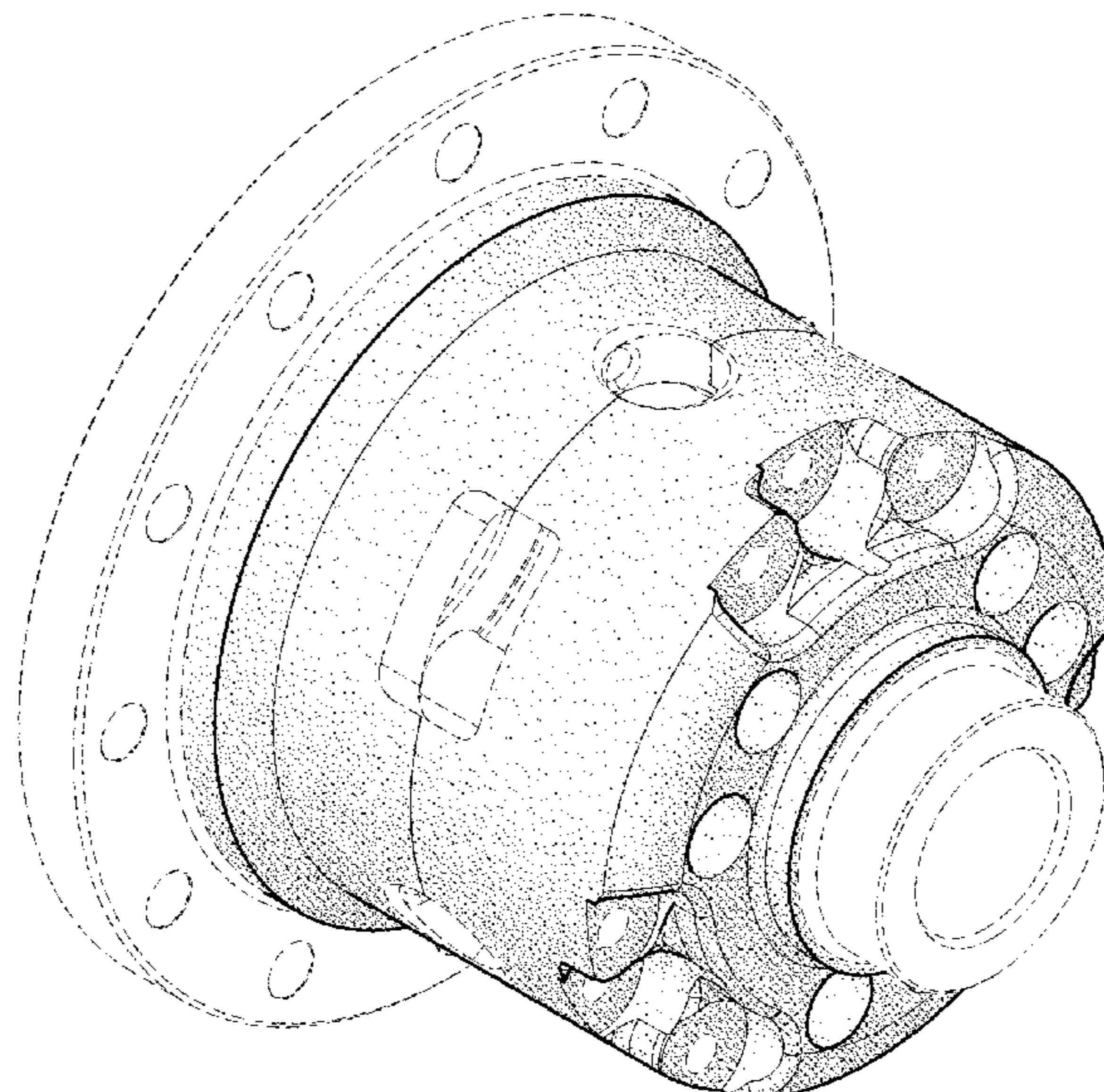
The ornamental design for a differential case, as shown and described.

DESCRIPTION

FIG. 1 is a front perspective view of a differential case.
 FIG. 2 is a rear perspective view of the differential case.
 FIG. 3 is a front view of the differential case.
 FIG. 4 is a rear view of the differential case.
 FIG. 5 is a left side view of the differential case.
 FIG. 6 is a right side view of the differential case.
 FIG. 7 is a top view of the differential case; and,
 FIG. 8 is a bottom view of the differential case.
 The broken lines showing portions of the differential case form no part of the claimed design.

- (56) **References Cited**
- U.S. PATENT DOCUMENTS**
- 3,331,262 A * 7/1967 Mazziotti F16H 48/08
475/235
- 3,362,258 A * 1/1968 Thornton F16H 48/08
475/231
- 3,628,399 A 12/1971 Seitz et al.
- 3,837,236 A 9/1974 Kagata
- 3,893,351 A 7/1975 Baremor
- 4,290,321 A 9/1981 Wilson
- 5,273,498 A 12/1993 Dhillon et al.
- 6,053,838 A * 4/2000 Gage F16H 48/285
475/248

1 Claim, 8 Drawing Sheets



(56)

References Cited

U.S. PATENT DOCUMENTS

2006/0052202	A1 *	3/2006	Morgensai	F16H 48/08	2014/0262668	A1 *	9/2014	Creager	F16H 48/22
				475/84					192/48.8
2007/0095167	A1 *	5/2007	Nakajima	F16H 48/05	2015/0111684	A1 *	4/2015	Fox	F16H 48/32
				74/607					475/231
2007/0259750	A1	11/2007	Kramer et al.		2015/0204431	A1 *	7/2015	Cochren	F16H 48/34
2008/0042791	A1 *	2/2008	York	F16H 48/08					475/150
				335/296	2015/0292611	A1 *	10/2015	Miyamoto	F16H 48/24
2008/0242469	A1 *	10/2008	Jenski	F16H 48/08					475/84
				475/231	2015/0330494	A1	11/2015	Kluck	
2008/0254930	A1 *	10/2008	Fujii	B60K 17/346	2016/0025201	A1	1/2016	Wrona et al.	
				475/221	2016/0025202	A1	1/2016	Okazaki	
2010/0184552	A1 *	7/2010	Soybel	F16H 48/08	2016/0153536	A1 *	6/2016	Fisher	F16H 48/22
				475/230					475/86
2010/0317480	A1	12/2010	Cochren et al.		2016/0160983	A1	6/2016	Yanase et al.	
2014/0141921	A1 *	5/2014	Fox	F16H 48/08	2017/0122423	A1 *	5/2017	Bongard	F16D 13/52
				475/231	2017/0350490	A1 *	12/2017	Sudou	F16H 48/40
2014/0179481	A1 *	6/2014	Fox	F16H 48/08	2018/0038475	A1 *	2/2018	Nadayoshi	F16H 48/08
				475/220	2018/0149252	A1 *	5/2018	Roberts	F16H 48/40
					2019/0226566	A1 *	7/2019	Hillman	F16H 48/34

* cited by examiner

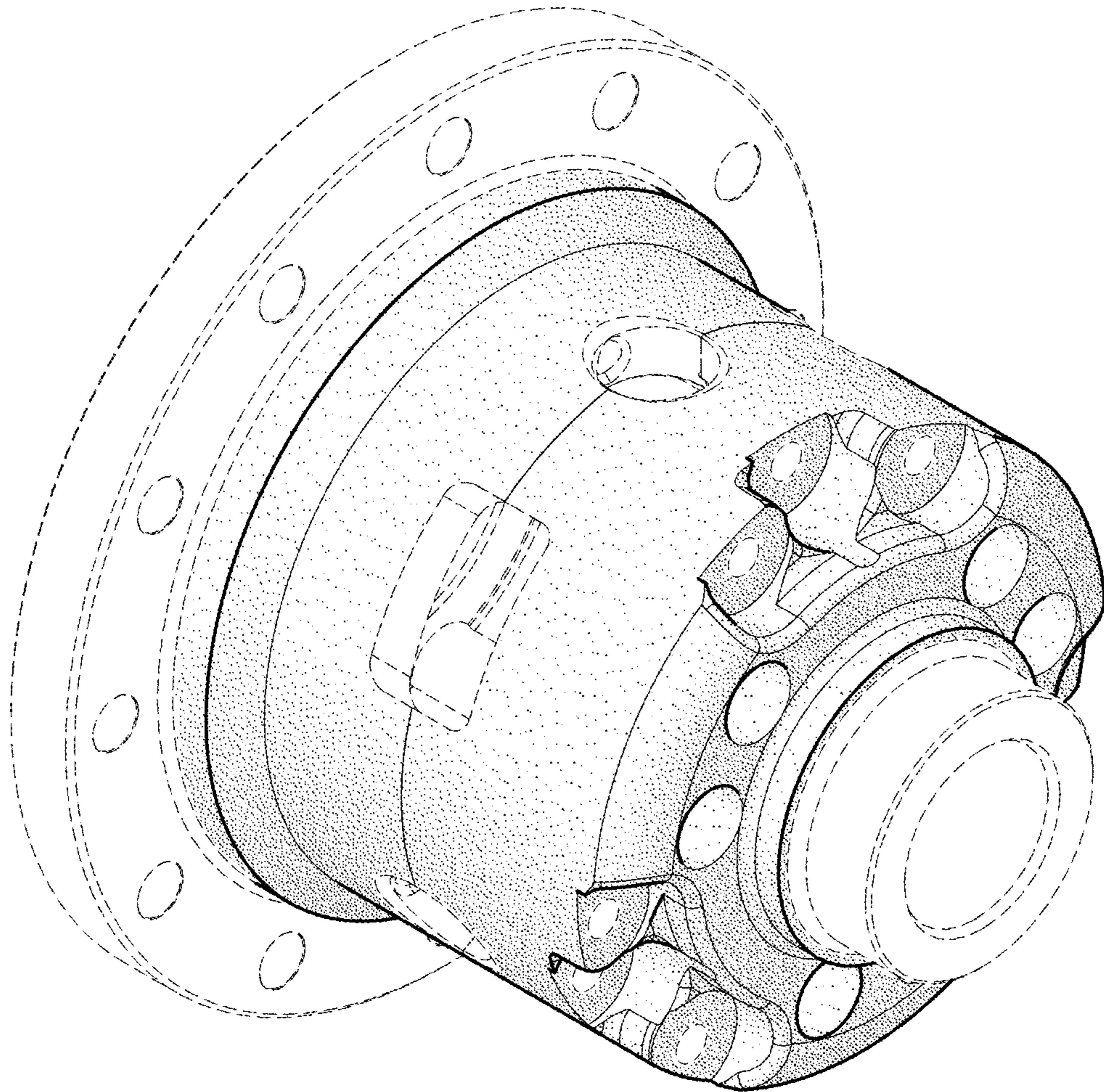


FIG. 1

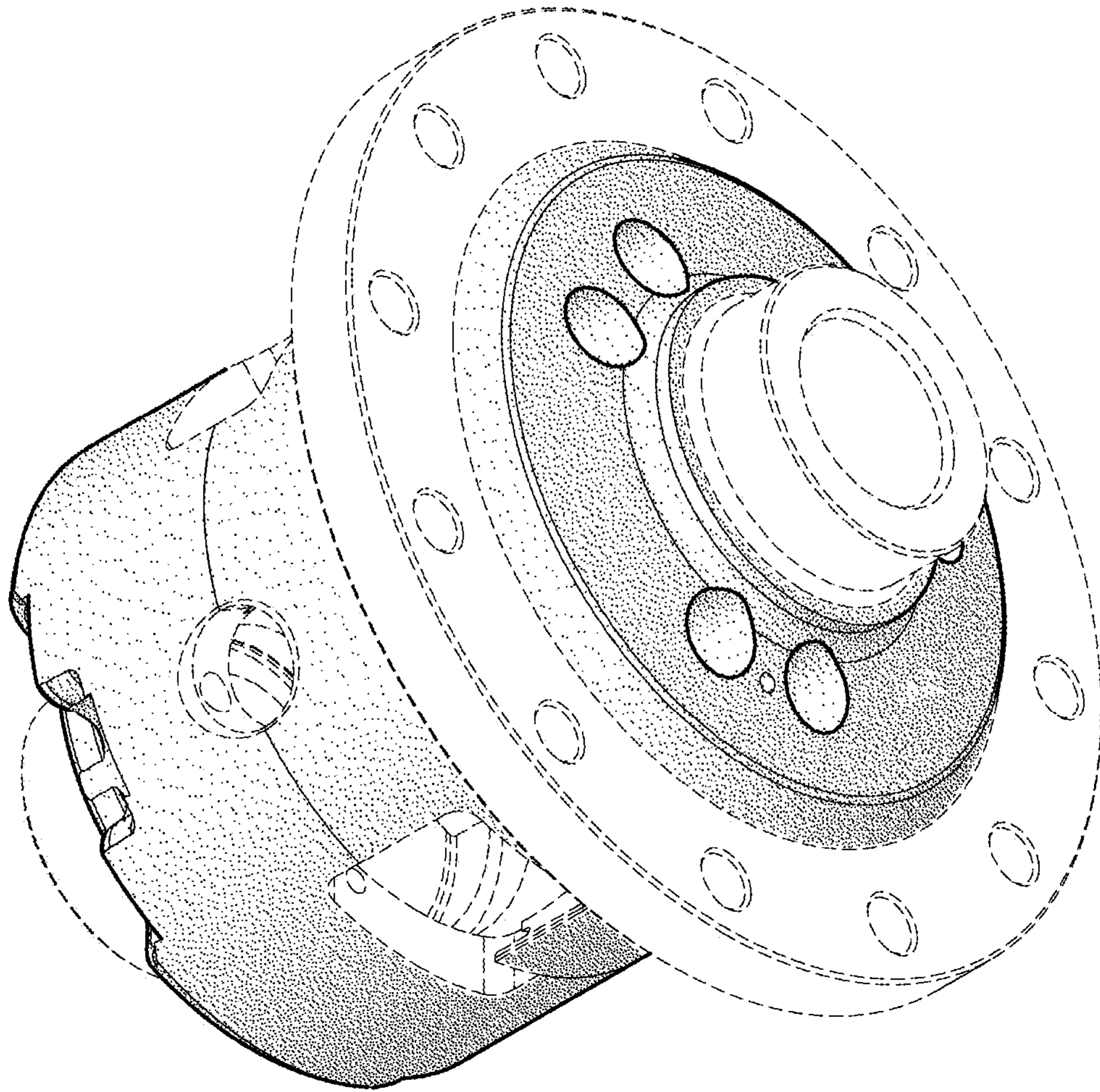


FIG. 2

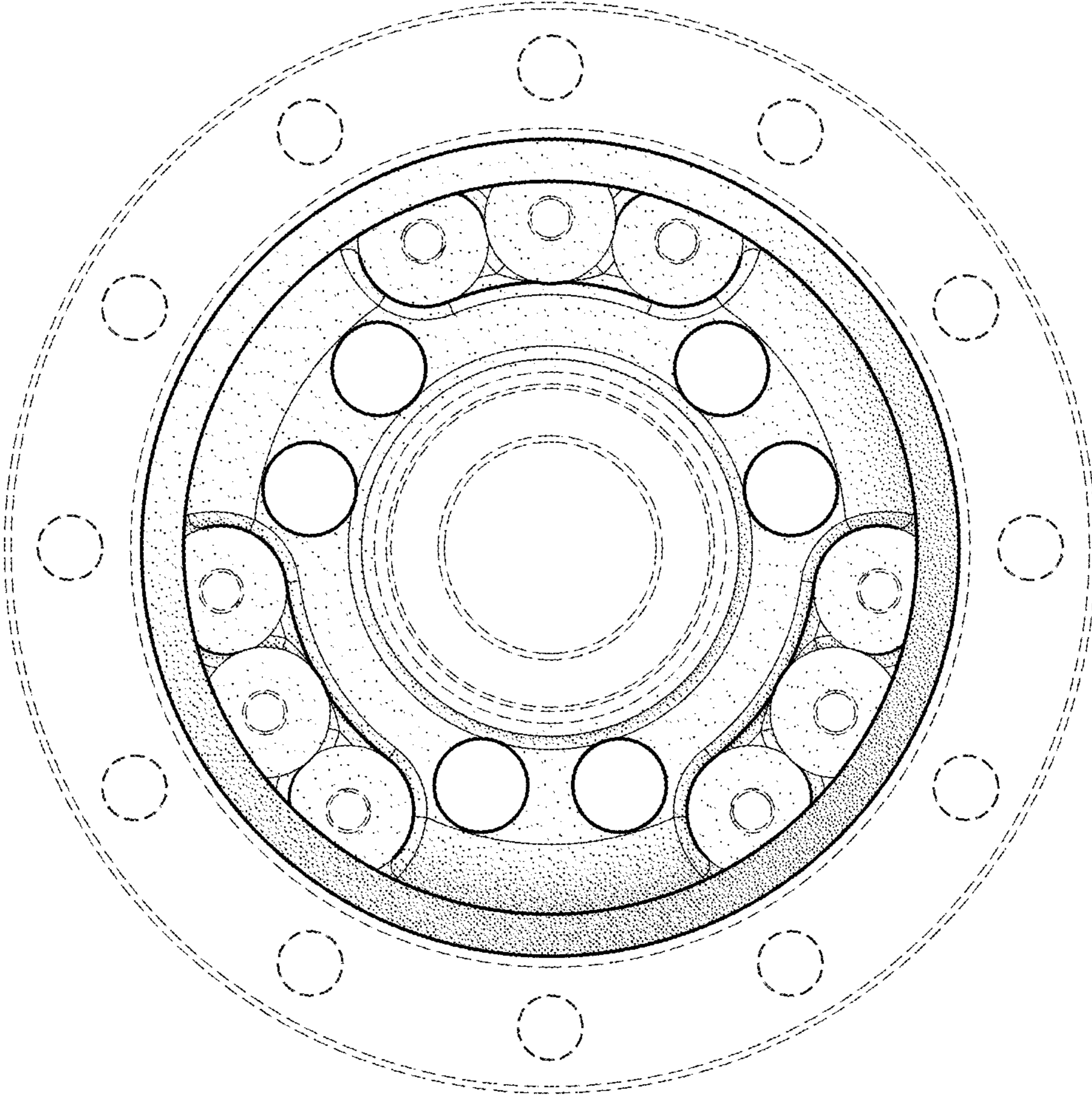


FIG.3

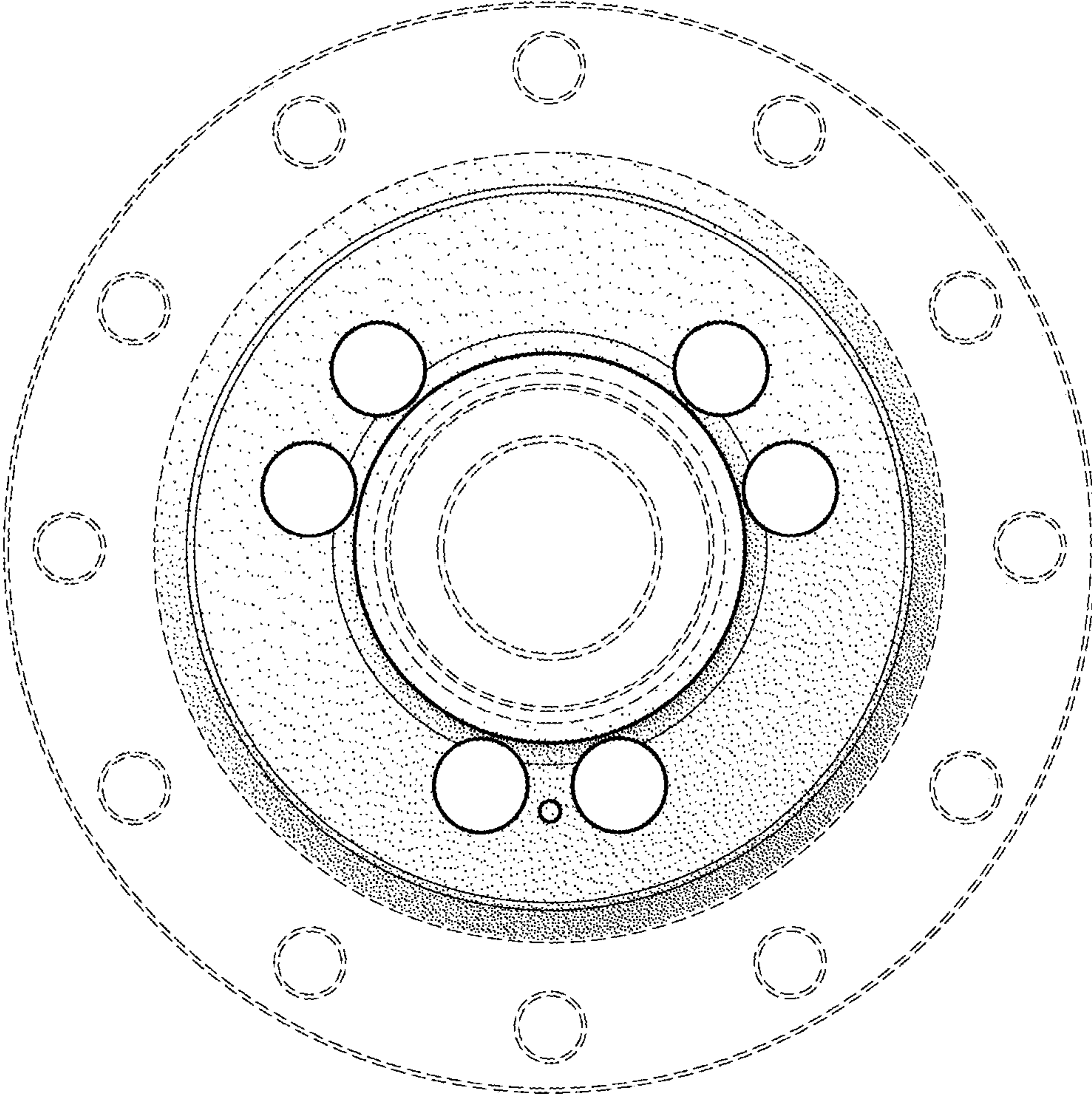


FIG. 4

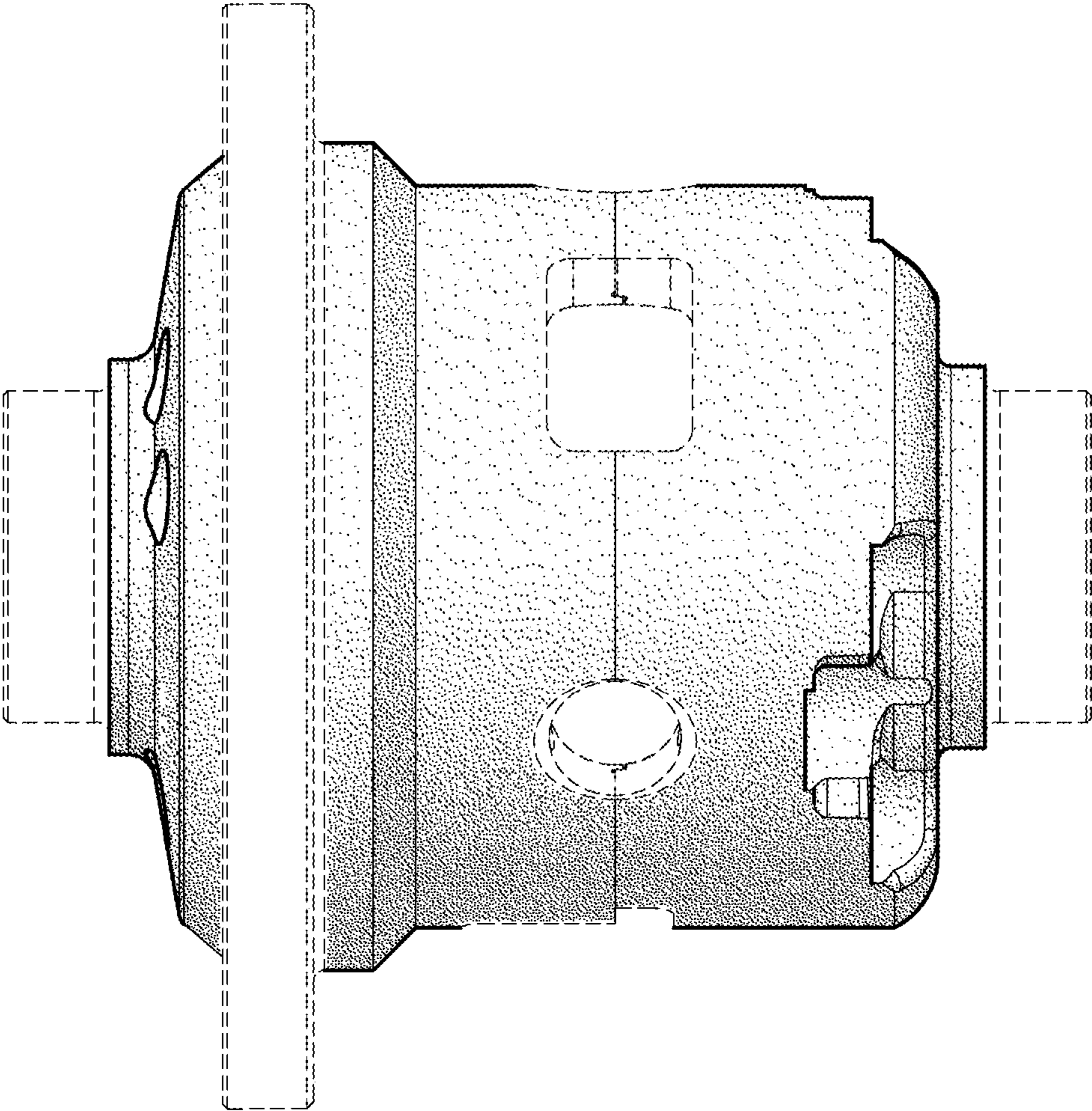


FIG. 5

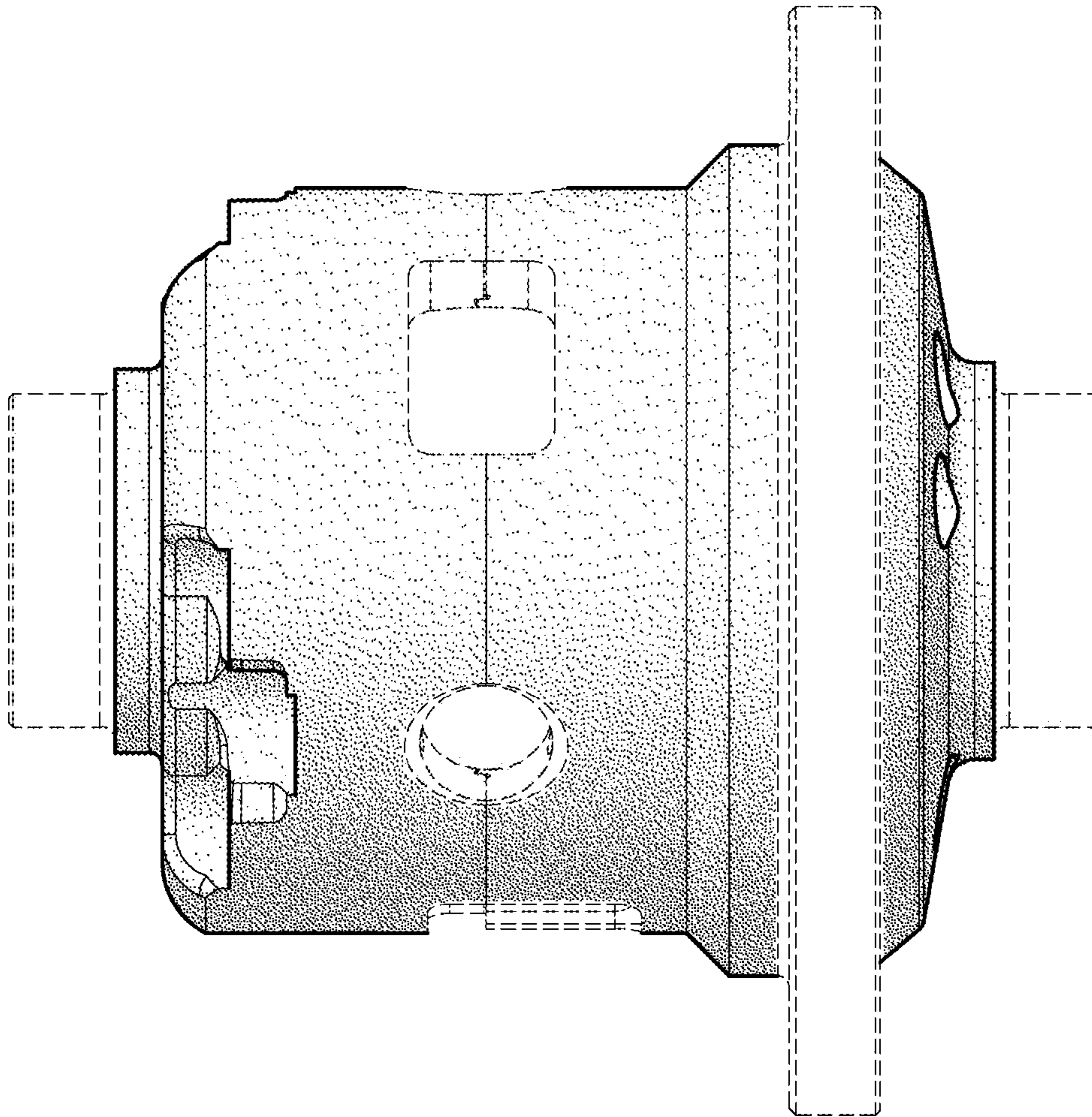


FIG. 6

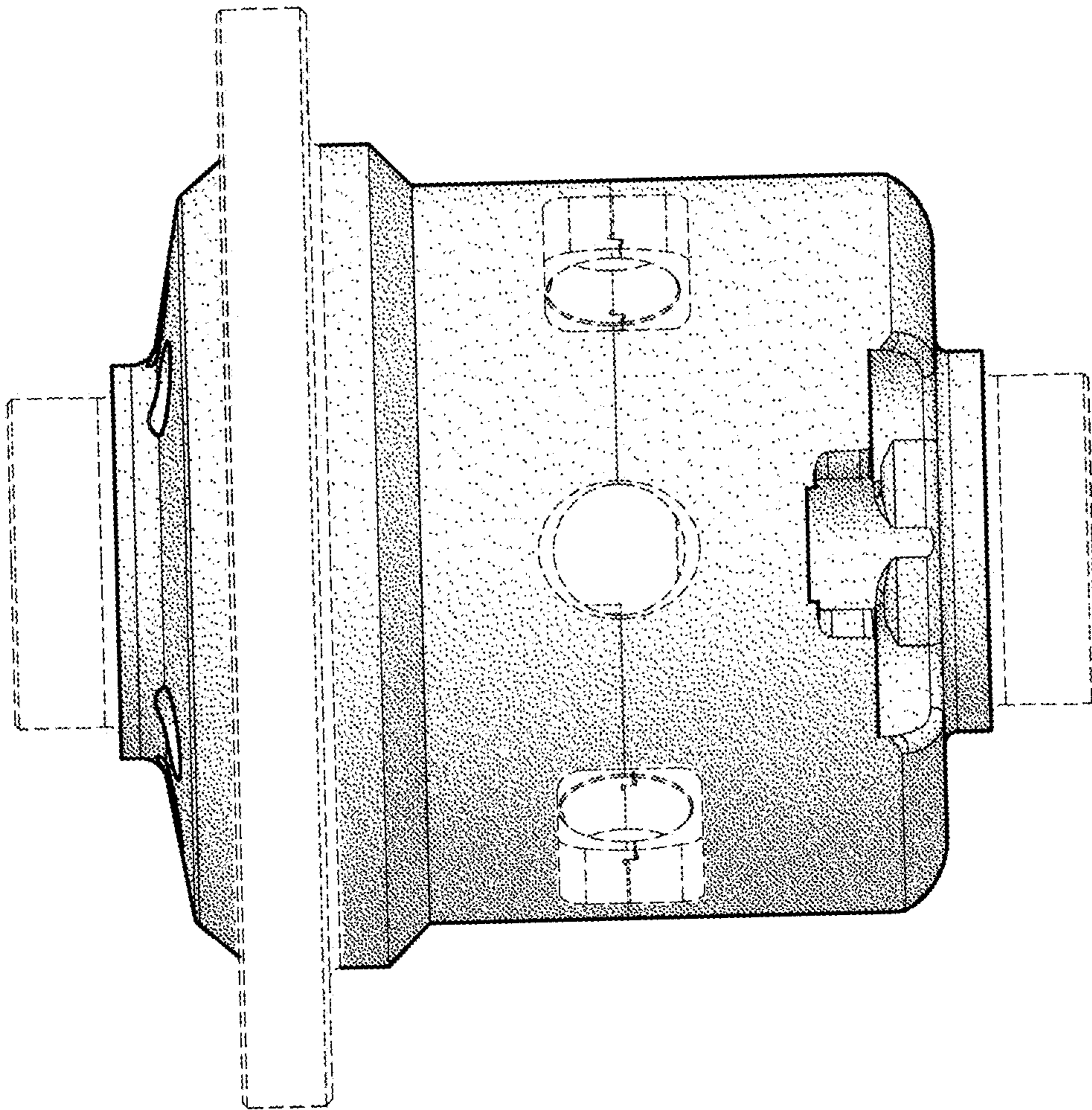


FIG. 7

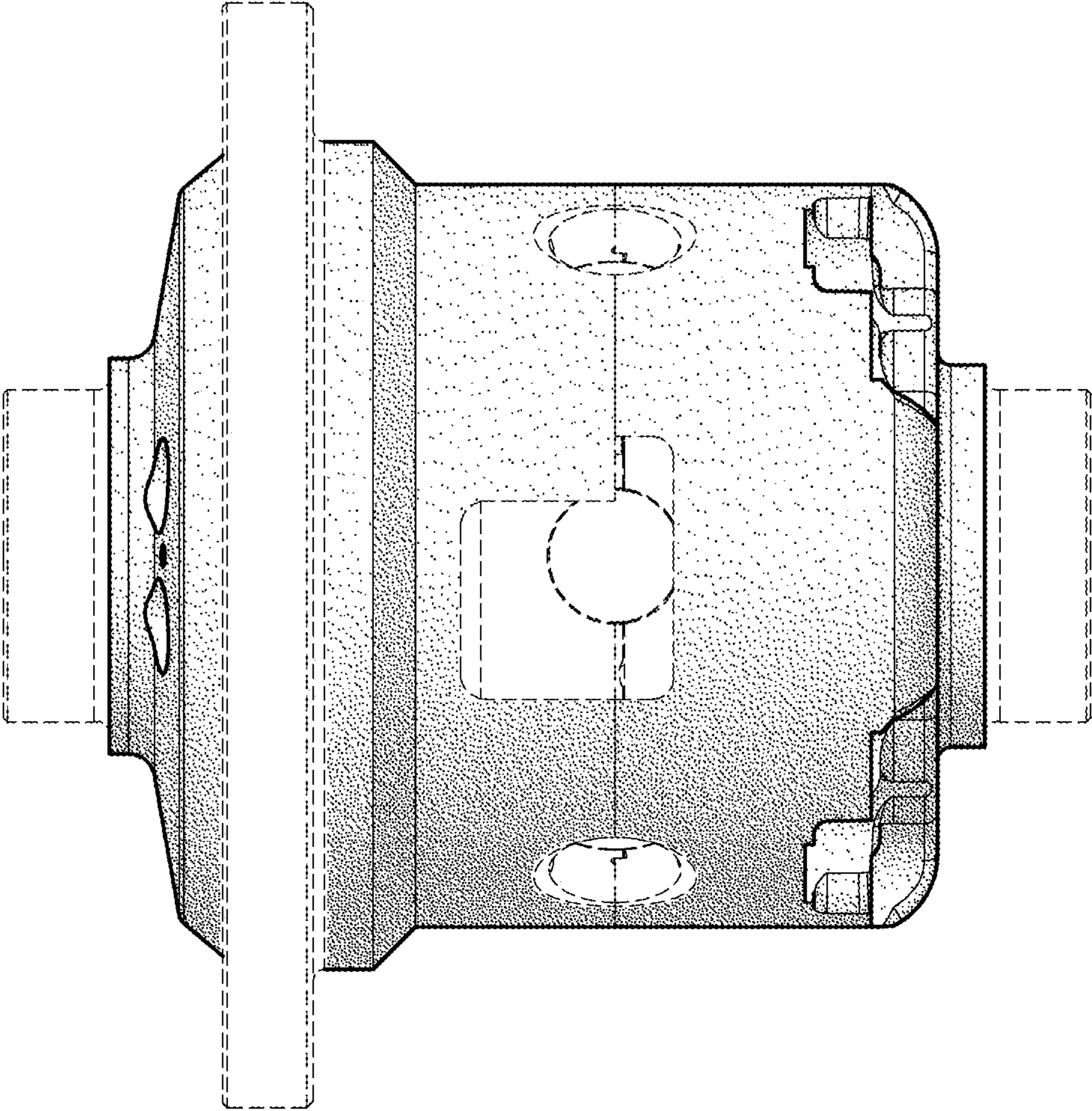


FIG. 8