



US00D900873S

(12) **United States Design Patent** (10) **Patent No.:** **US D900,873 S**
Hudnall et al. (45) **Date of Patent:** **** Nov. 3, 2020**

(54) **COOLING MANIFOLD**

FOREIGN PATENT DOCUMENTS

(71) Applicant: **Holley Performance Products, Inc.**,
Bowling Green, KY (US)

AU 201811295 5/2018
AU 201812792 6/2018

(Continued)

(72) Inventors: **Coy Hudnall**, Bowling Green, KY
(US); **Kevin Tracy**, Port Charlotte, FL
(US); **Thomas W. Tomlinson**, Bowling
Green, KY (US)

OTHER PUBLICATIONS

IP Australia; Formalities notice No. 1 for Application No. 201910218
dated Feb. 25, 2019, 3 pages.

(Continued)

(73) Assignee: **Holley Performance Products, Inc.**,
Bowling Green, KY (US)

Primary Examiner — Ania Aman

(**) Term: **15 Years**

(74) *Attorney, Agent, or Firm* — Middleton Reutlinger

(21) Appl. No.: **29/658,719**

(57) **CLAIM**

The ornamental design for a cooling manifold, as shown and
described.

(22) Filed: **Aug. 2, 2018**

DESCRIPTION

(51) **LOC (12) Cl.** **15-01**

(52) **U.S. Cl.**
USPC **D15/4**

(58) **Field of Classification Search**
USPC D15/1-9; D23/231, 232, 225; D12/160,
D12/159
CPC F04D 29/426; F04D 29/126; F04D 29/445;
F04D 29/086; F04D 29/167; F04D 29/44;
F04D 29/58; F04D 29/60; F04D 29/601;
F04D 29/602

See application file for complete search history.

FIG. 1 is a first perspective view of a first design of a cooling manifold;
FIG. 2 is a second perspective of the design of FIG. 1;
FIG. 3 is a top view of the design of FIG. 1;
FIG. 4 is a bottom view of the design of FIG. 1;
FIG. 5 is a left side view of the design of FIG. 1;
FIG. 6 is a right side of the design of FIG. 1;
FIG. 7 is a front view of the design of FIG. 1;
FIG. 8 is a rear view of the design of FIG. 1;
FIG. 9 is a first perspective view of a second design of a cooling manifold;
FIG. 10 is a second perspective of the design of FIG. 9;
FIG. 11 is a top view of the design of FIG. 9;
FIG. 12 is a bottom view of the design of FIG. 9;
FIG. 13 is a left side view of the design of FIG. 9;
FIG. 14 is a right side of the design of FIG. 9;
FIG. 15 is a front view of the design of FIG. 9; and,
FIG. 16 is a rear view of the design of FIG. 9.
In the drawings, the broken lines depict unclaimed subject matter only and form no part of the claimed design.

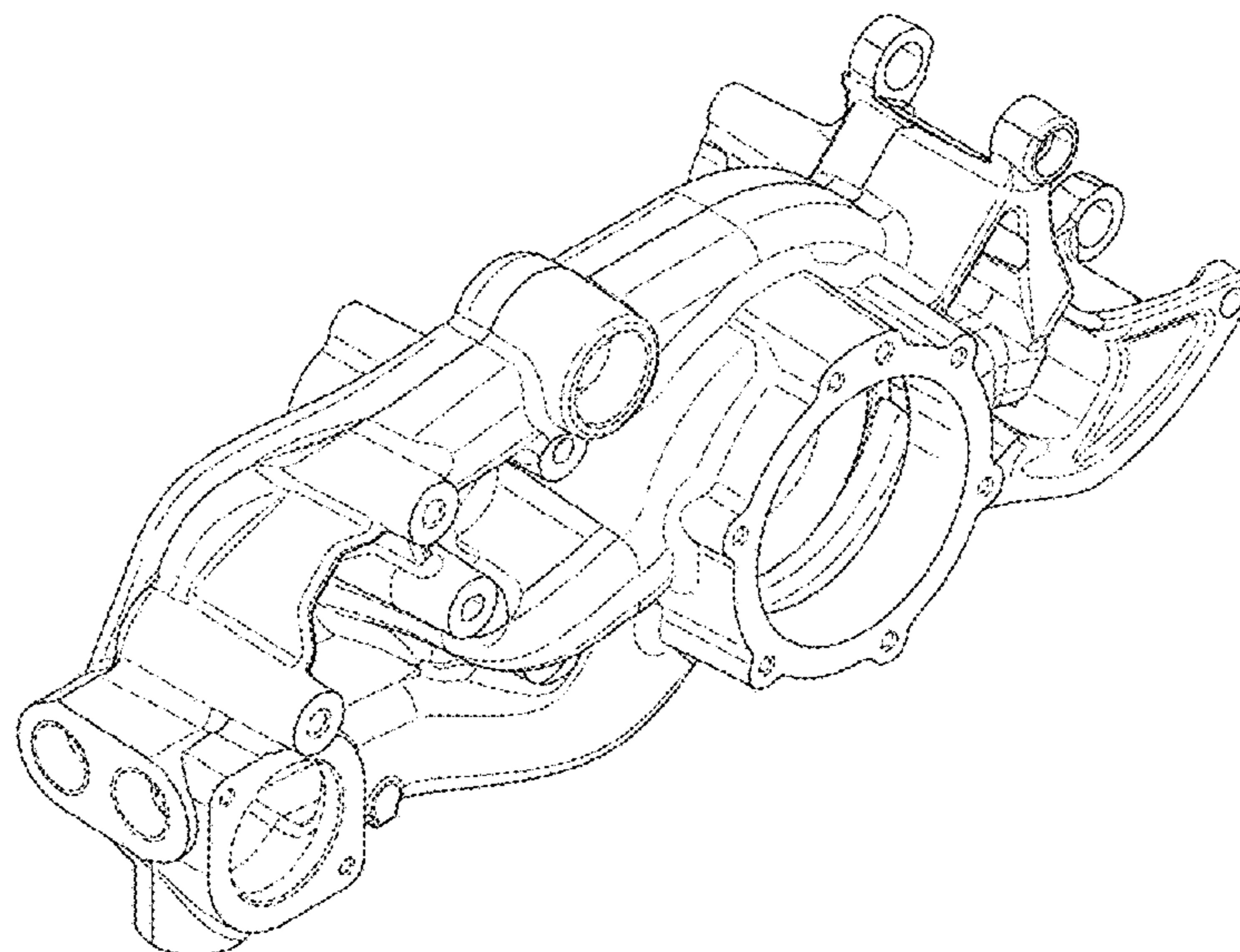
(56) **References Cited**

U.S. PATENT DOCUMENTS

D268,585 S * 4/1983 Drakulic D15/5
5,148,863 A 9/1992 Fouts et al.
5,325,915 A 7/1994 Fouts et al.
6,244,239 B1 * 6/2001 Sisco F02B 67/06
123/192.1
6,270,314 B1 * 8/2001 Nomoto F04D 29/086
415/172.1

(Continued)

1 Claim, 16 Drawing Sheets



(56)

References Cited

U.S. PATENT DOCUMENTS

6,446,699 B1 * 9/2002 Schober F04D 29/426
 164/113
 7,578,277 B2 * 8/2009 Inui F01M 1/02
 123/192.2
 D779,560 S * 2/2017 Fox D15/5
 D779,561 S * 2/2017 Fox D15/5
 D808,439 S 1/2018 Hudnall et al.
 D819,083 S * 5/2018 Fisher D15/5
 2008/0173274 A1 * 7/2008 Inui F01M 1/02
 123/196 R
 2015/0345366 A1 * 12/2015 Gacka F01P 5/12
 123/41.47
 2017/0082011 A1 * 3/2017 Huckey F01P 5/12

FOREIGN PATENT DOCUMENTS

AU 201910218 3/2019
 AU 201910224 3/2019
 AU 201910225 3/2019

AU 201911575 4/2019
 AU 201911576 4/2019
 AU 201911578 4/2019

OTHER PUBLICATIONS

Design U.S. Appl. No. 29/616,435 entitled "Cooling Manifold" filed Sep. 6, 2017.
 Design U.S. Appl. No. 29/658,716 entitled "Cooling Manifold" filed Aug. 2, 2018.
 Design U.S. Appl. No. 29/658,718 entitled "Cooling Manifold" filed Aug. 2, 2018.
 Design U.S. Appl. No. 29/707,393 entitled "Cooling Manifold" filed Sep. 27, 2019.
 Design U.S. Appl. No. 29/707,394 entitled "Cooling Manifold" filed Sep. 27, 2019.
 Holley Performance Products, Inc., 2017 New & Hot Products, Catalogue, 3 pages, Nov. 1, 2016. [the instant application is a design that attaches to the water pump shown].

* cited by examiner

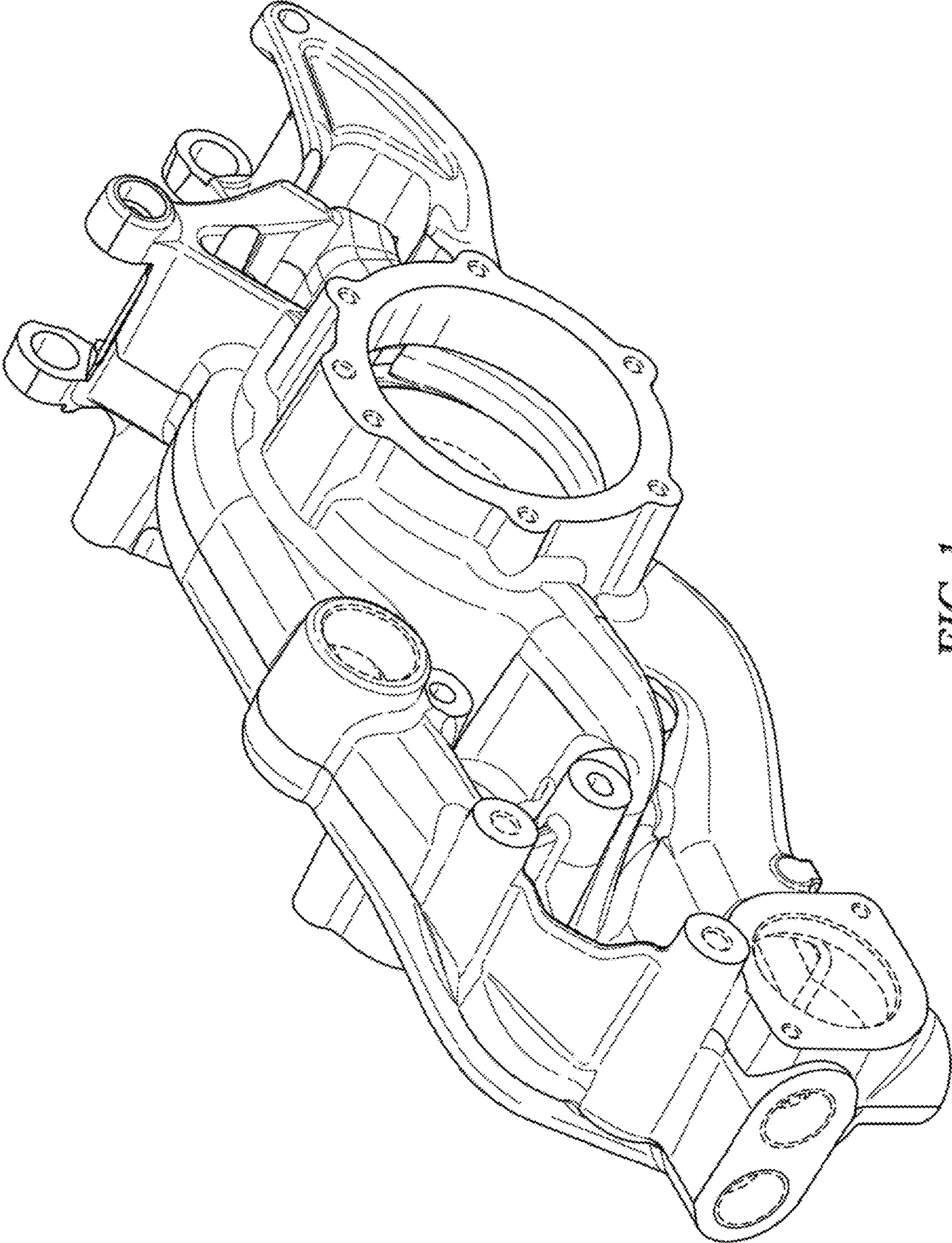


FIG. 1

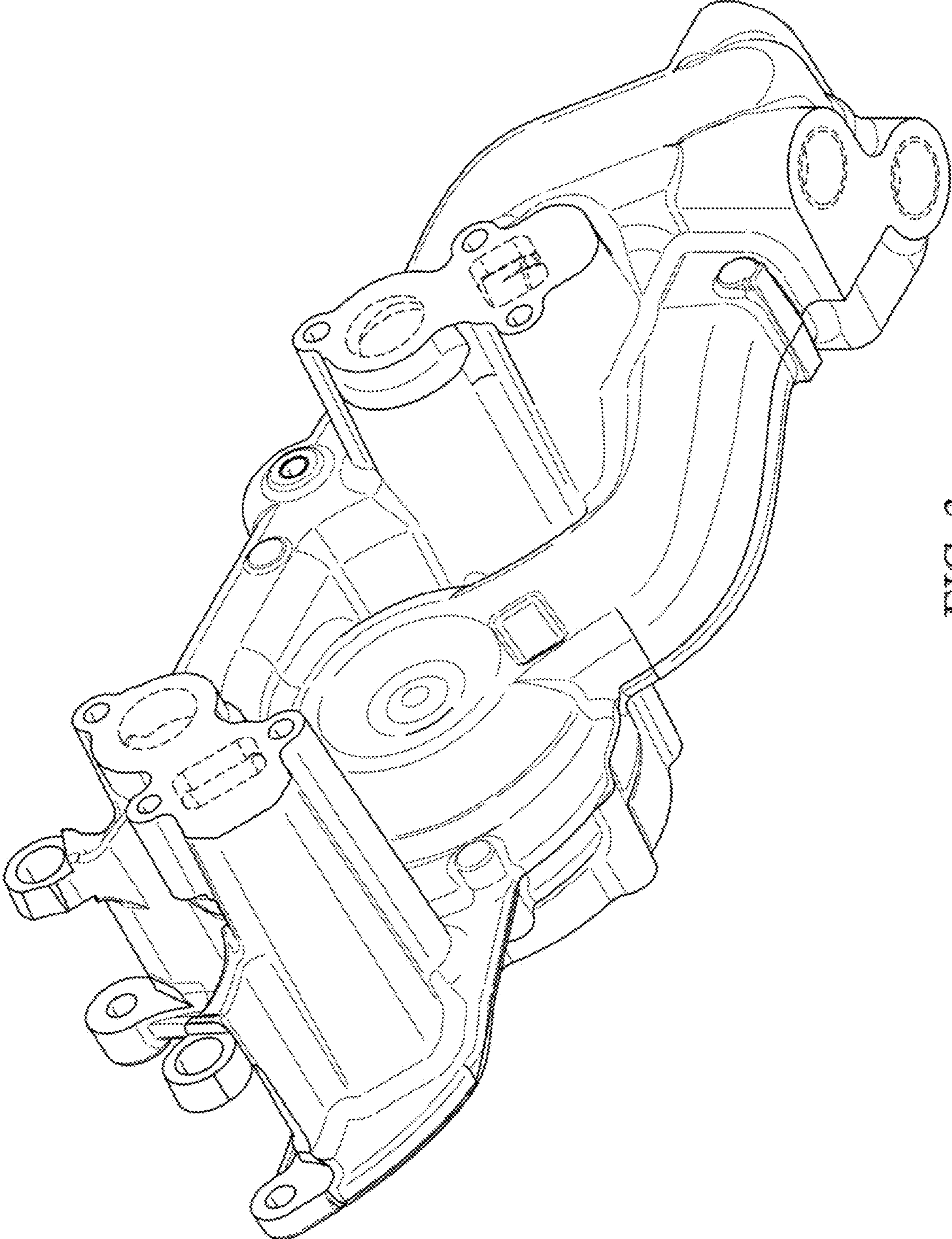


FIG. 2

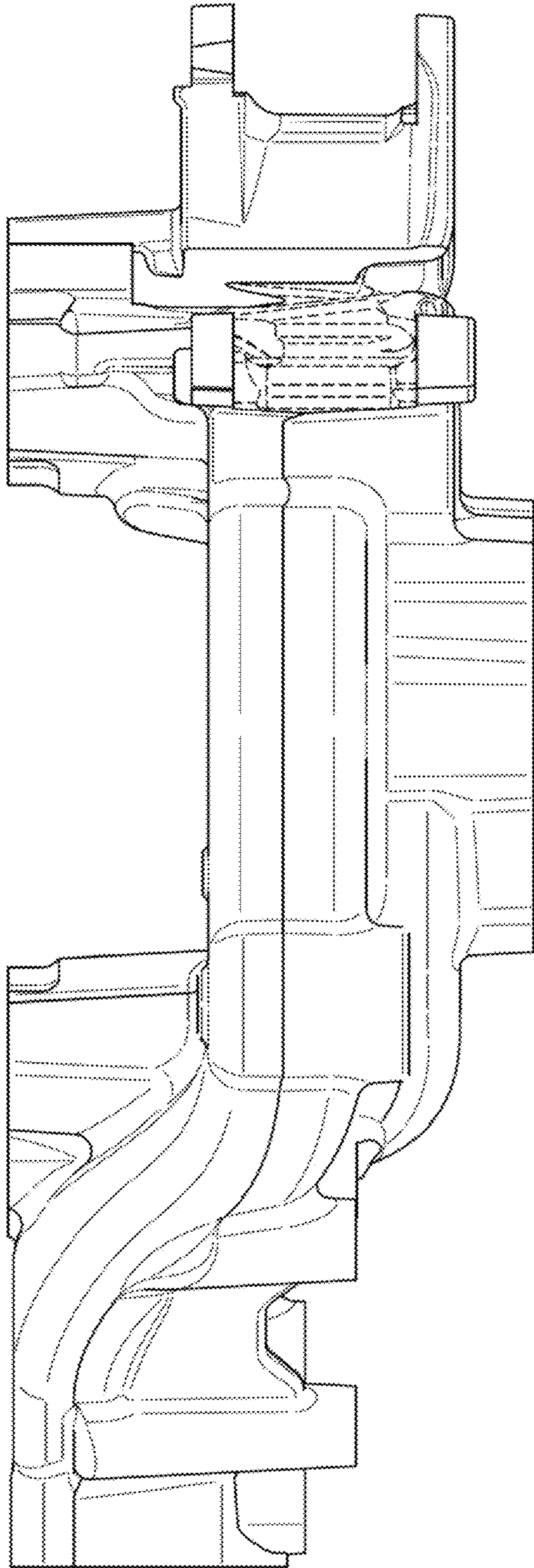


FIG. 3

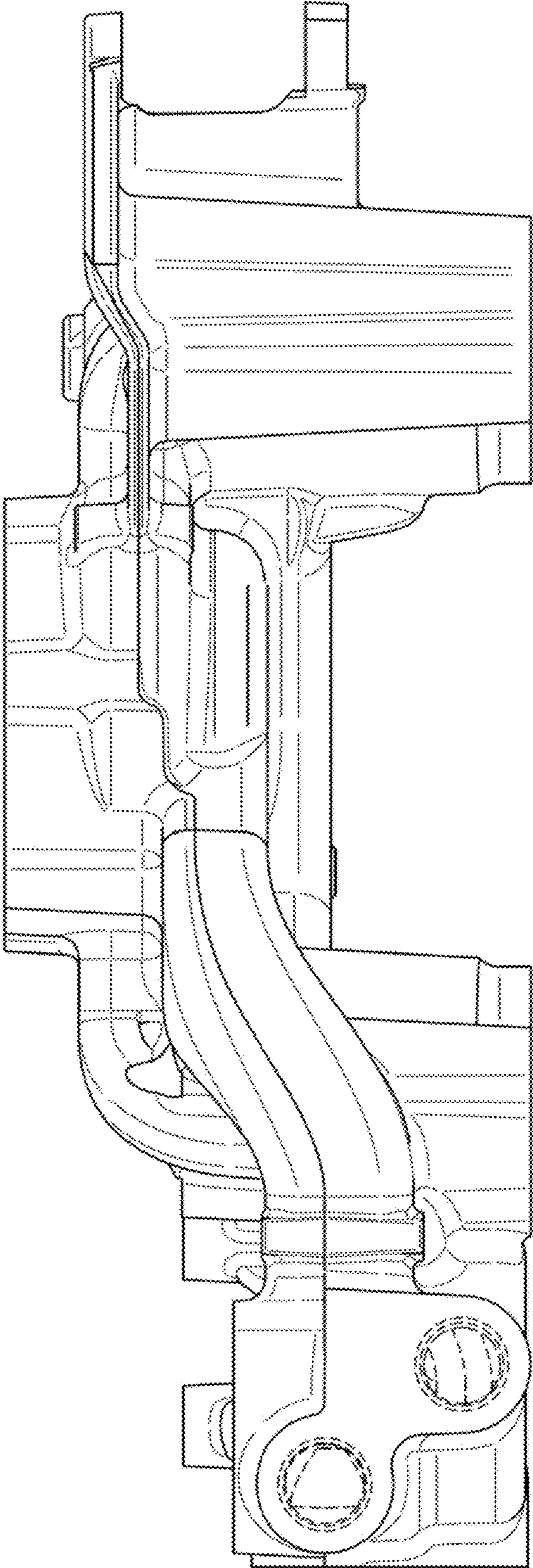


FIG. 4

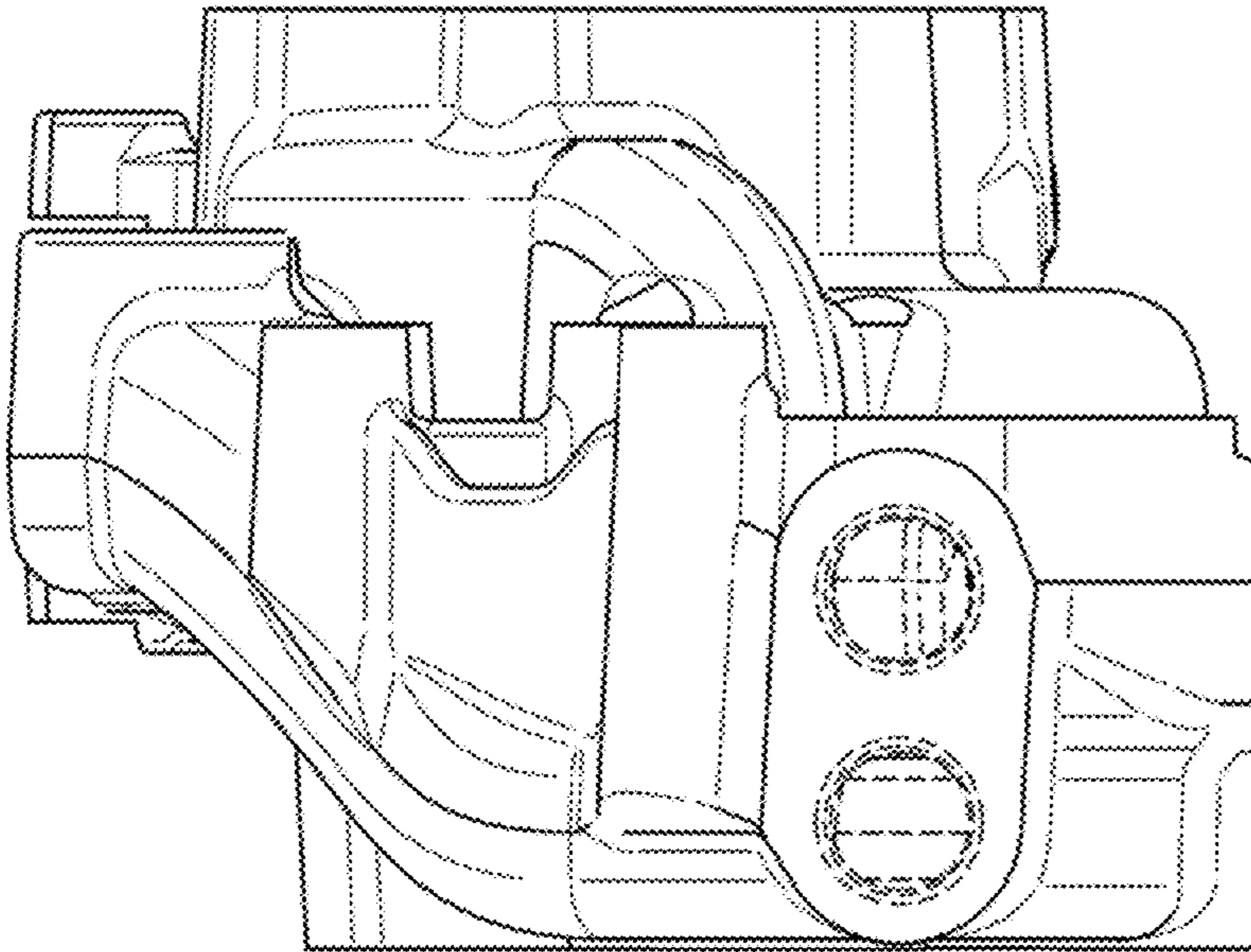


FIG. 5

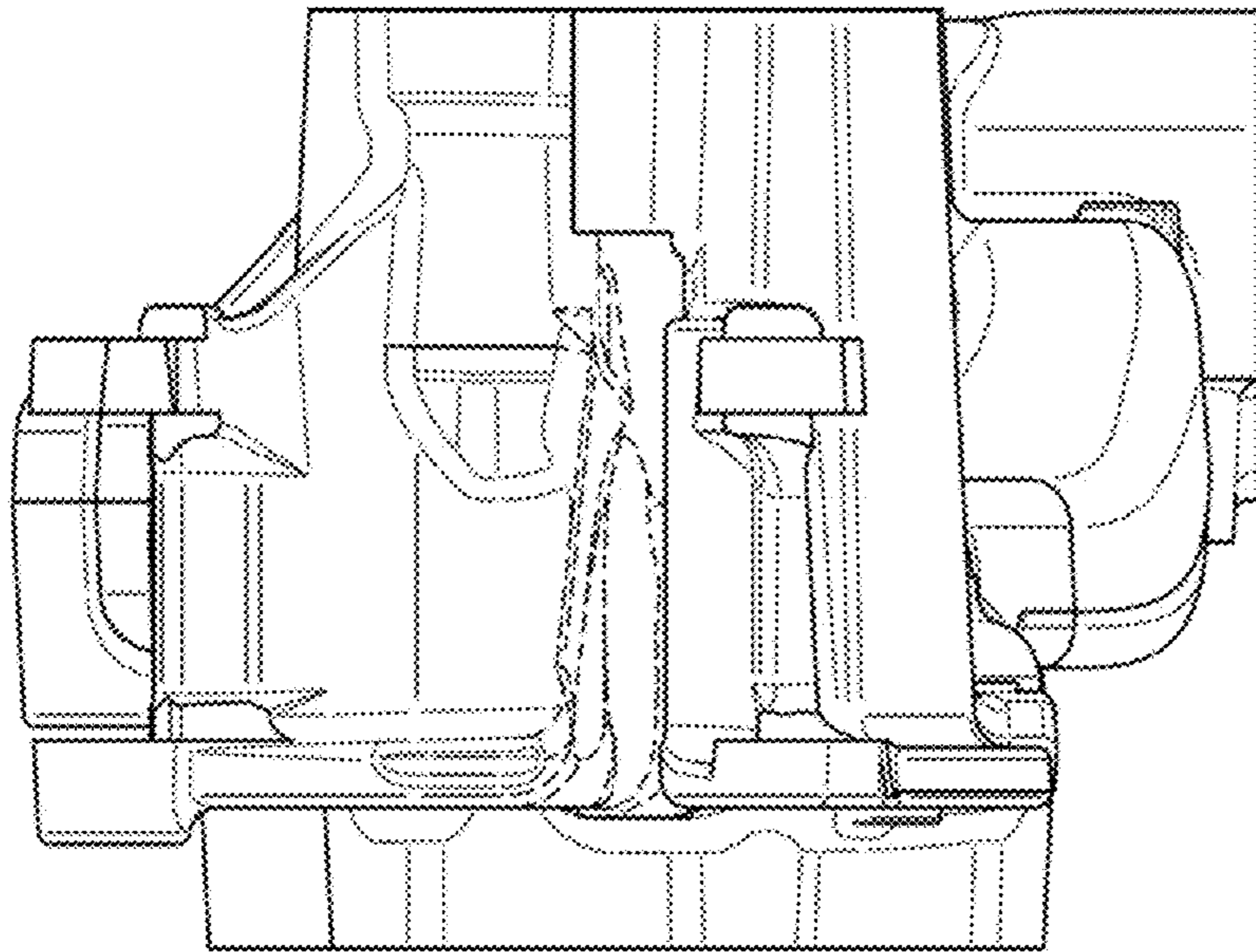


FIG. 6

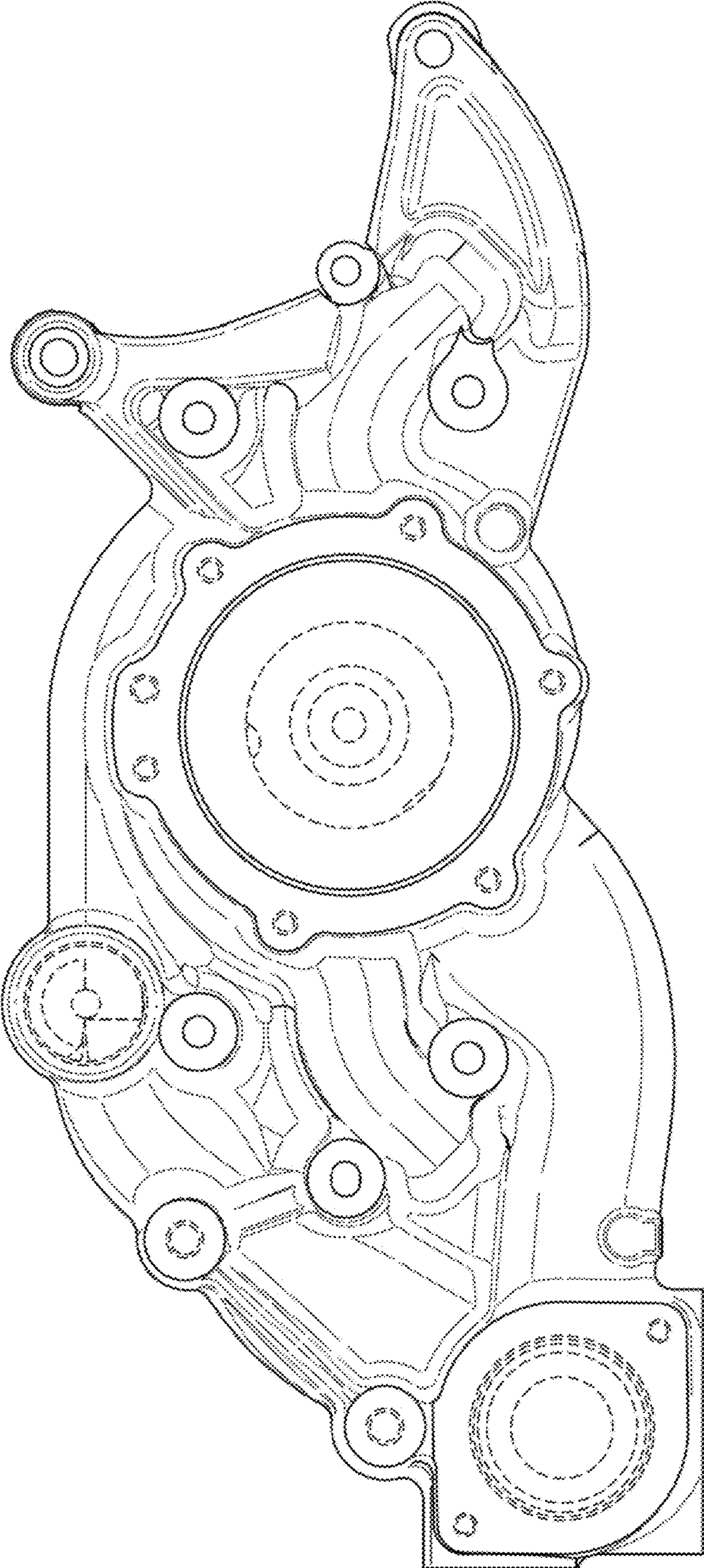


FIG. 7

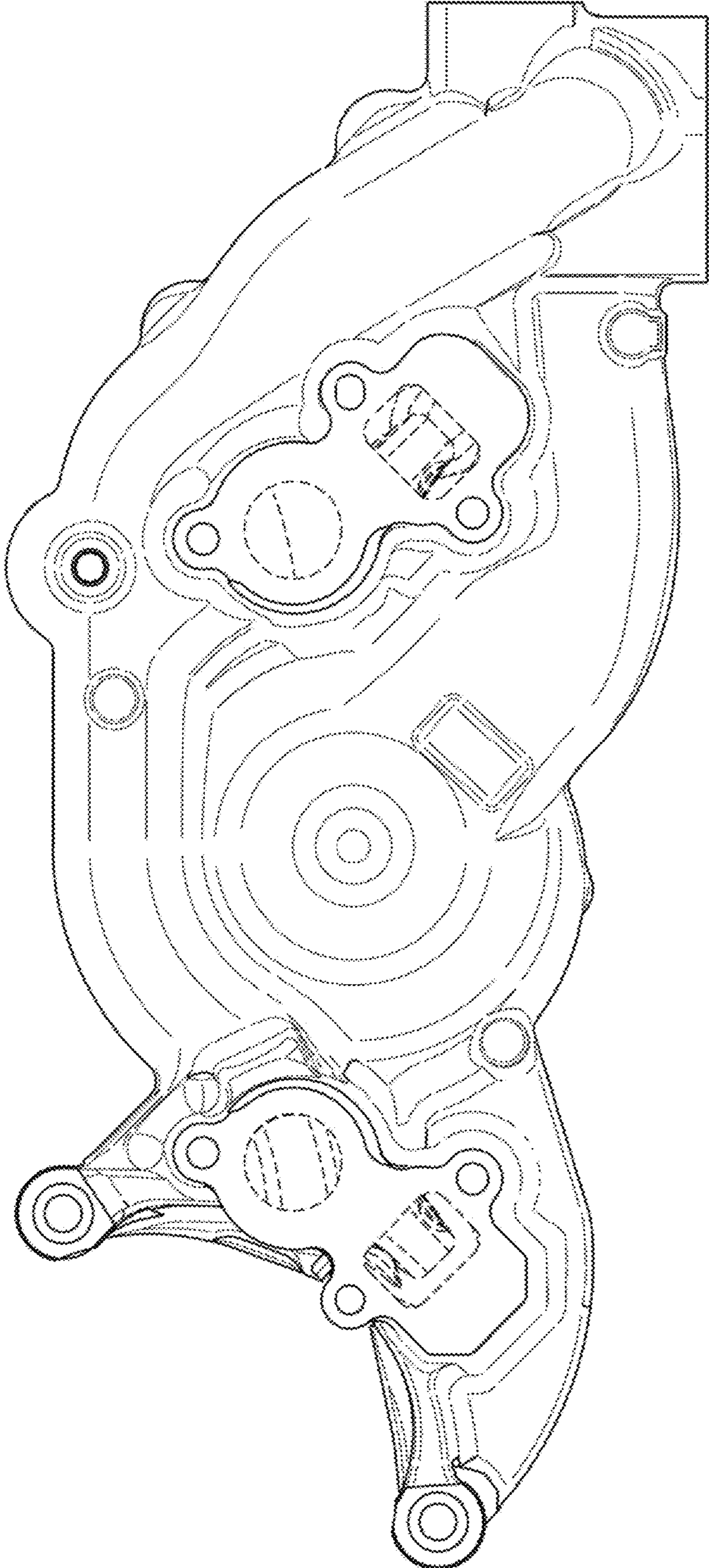


FIG. 8

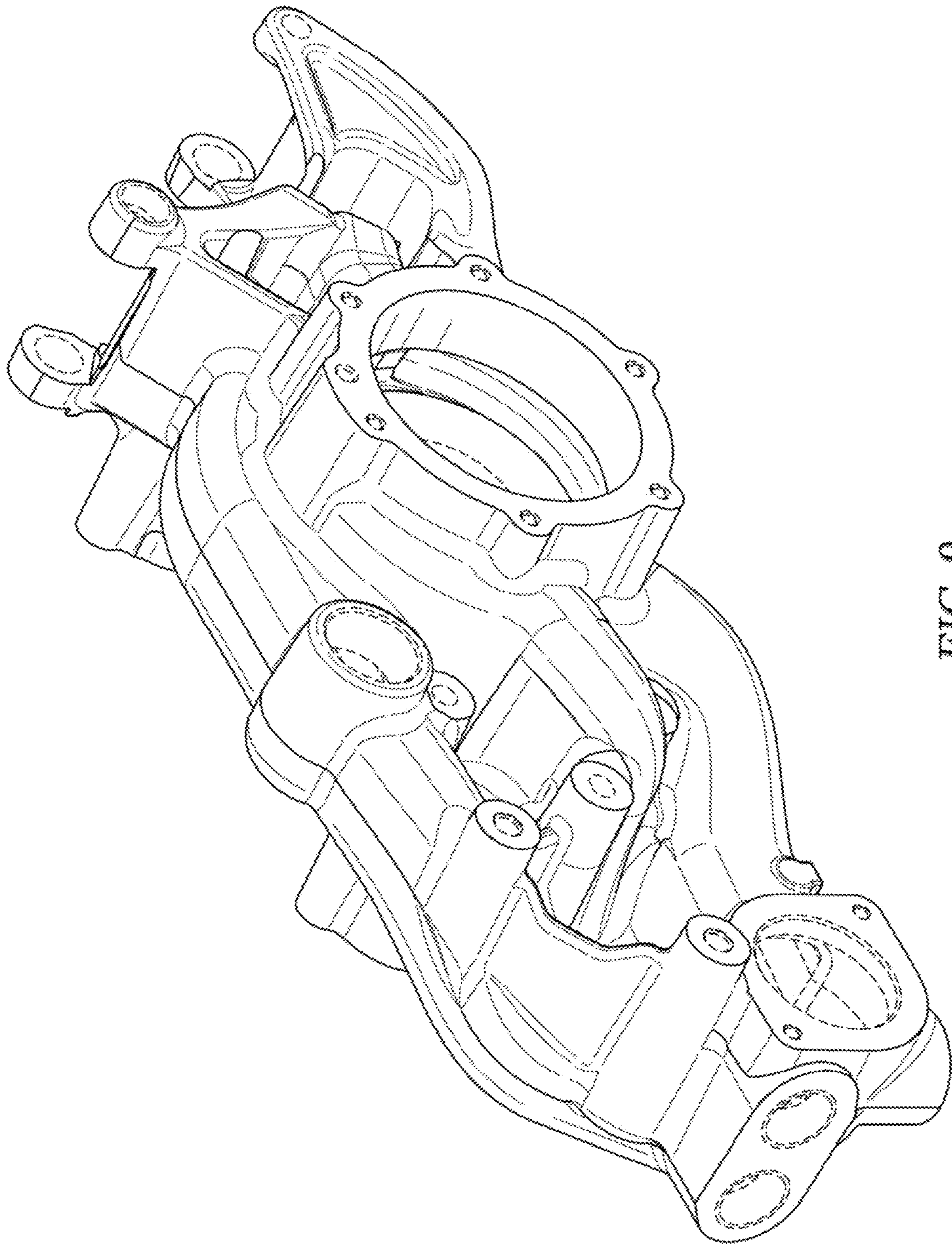


FIG. 9

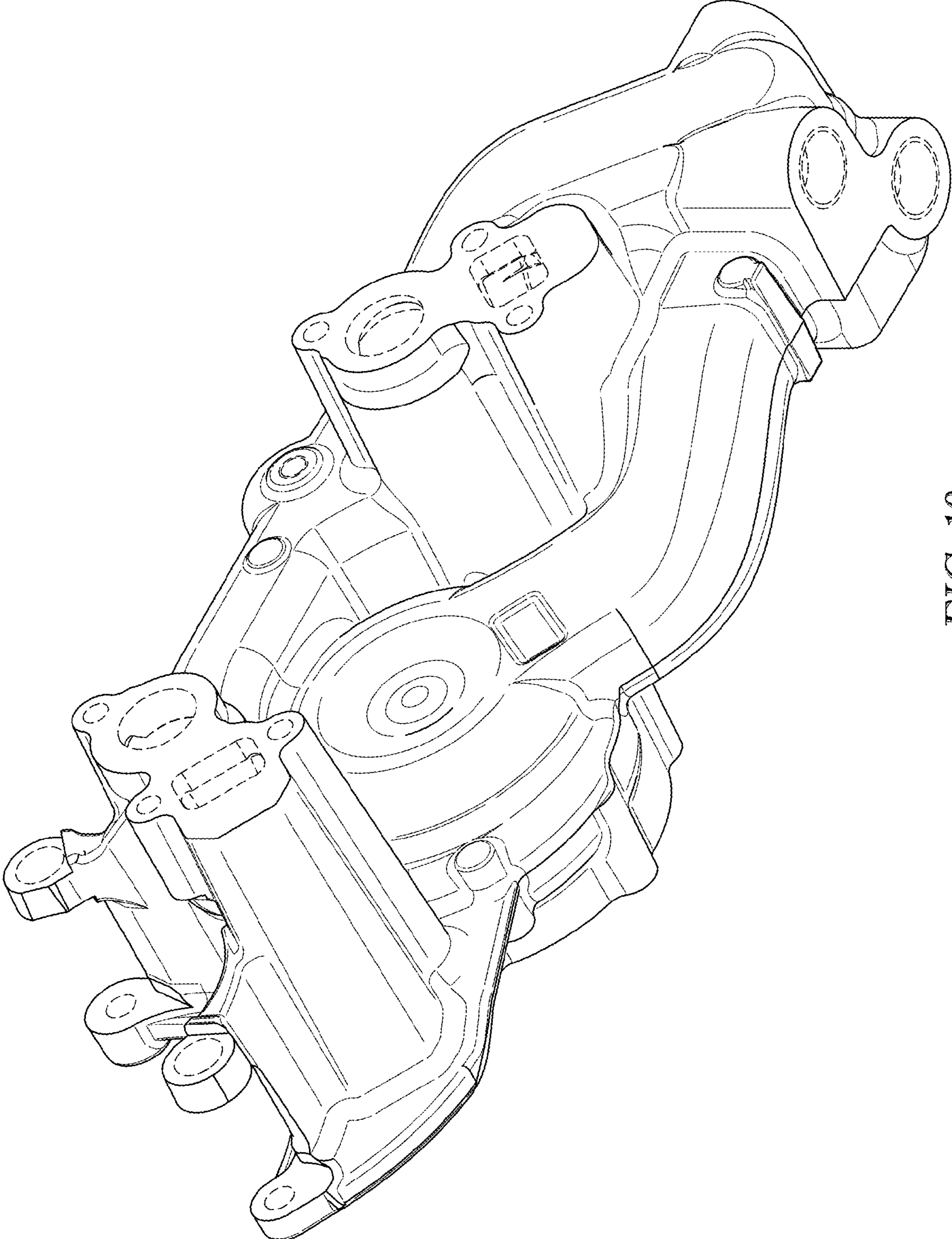


FIG. 10

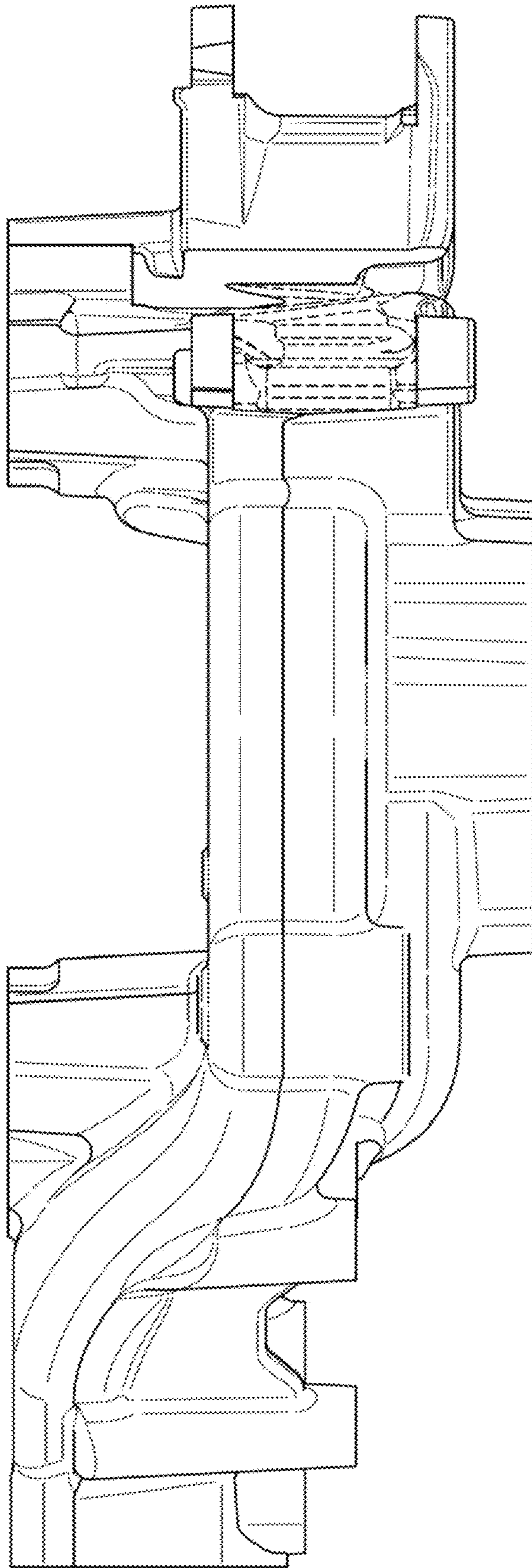


FIG. 11

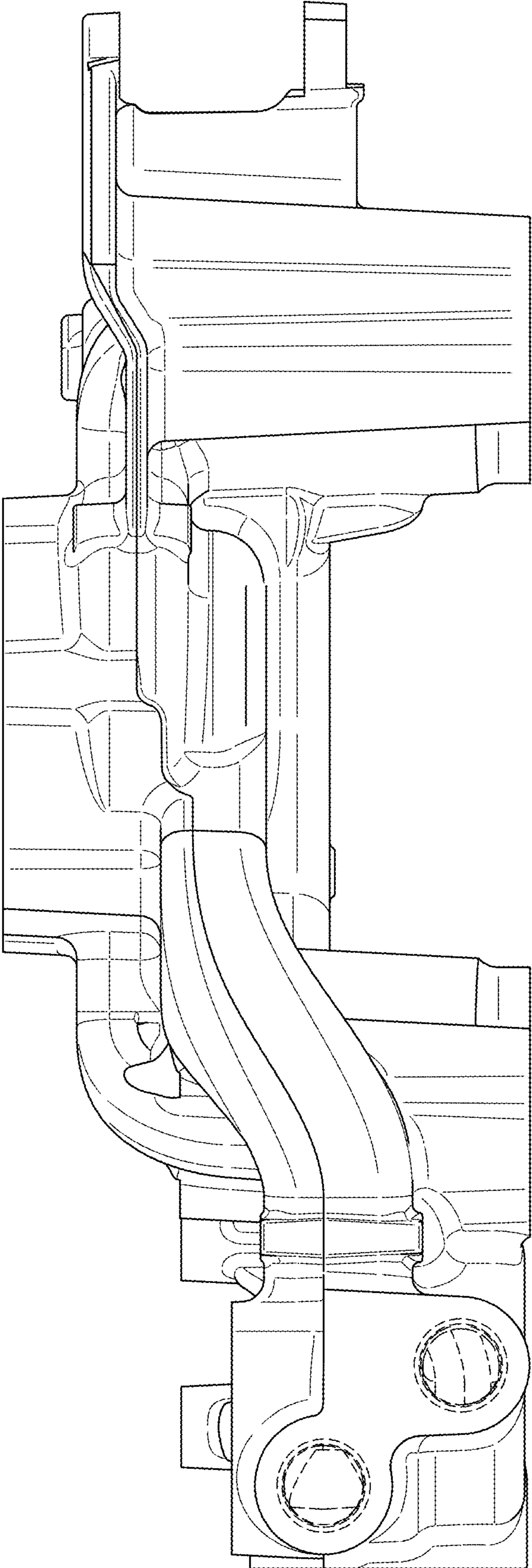


FIG. 12

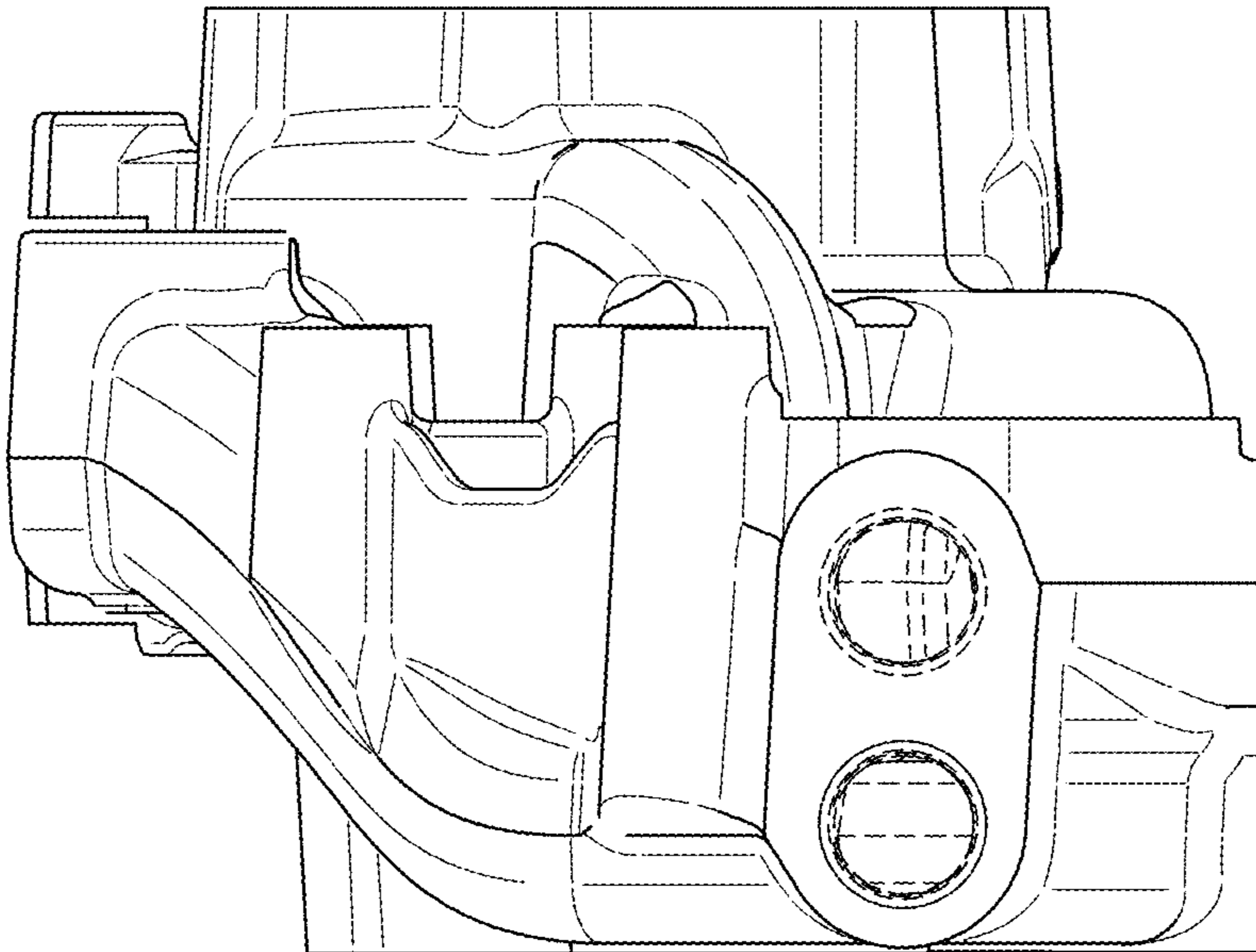


FIG. 13

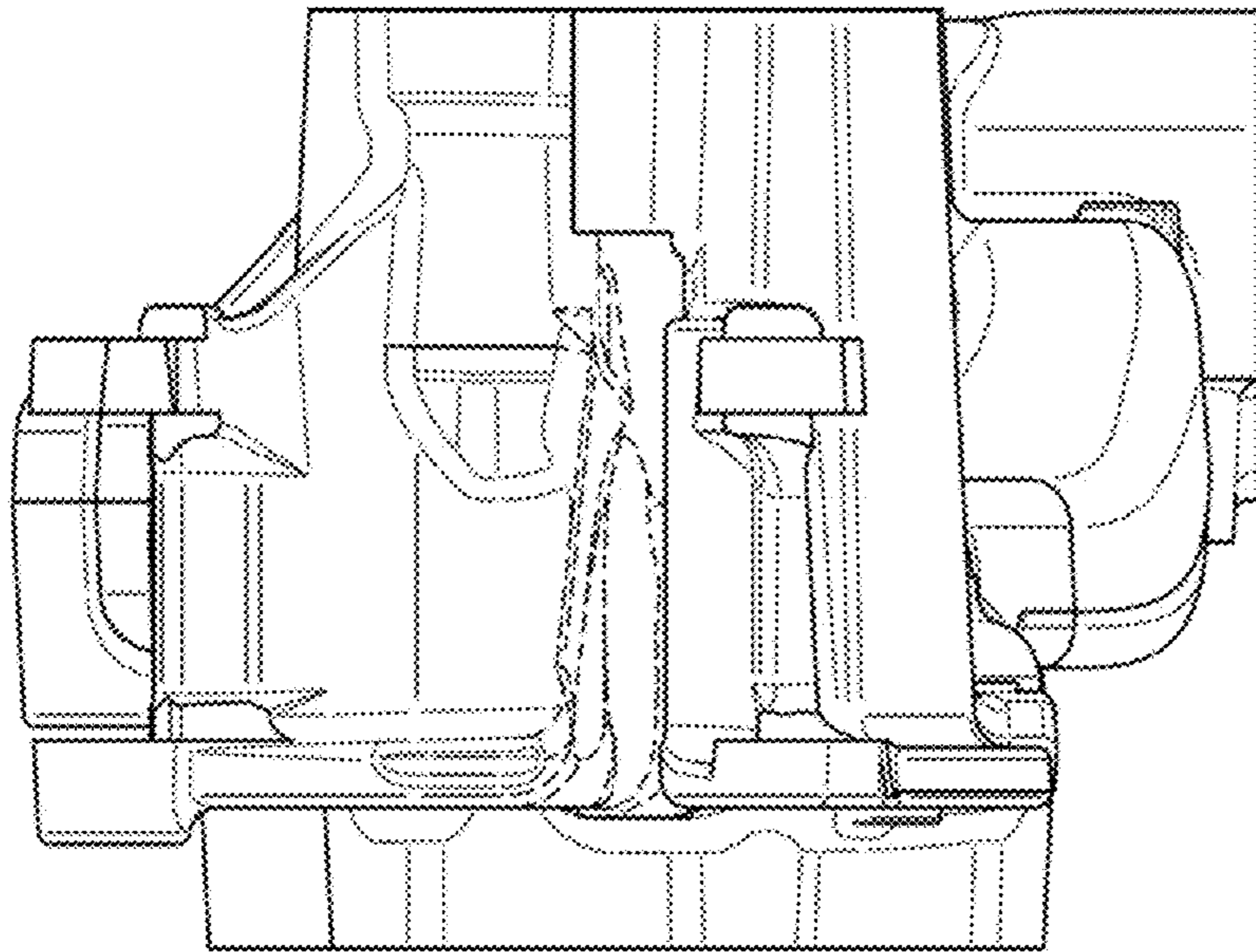


FIG. 14

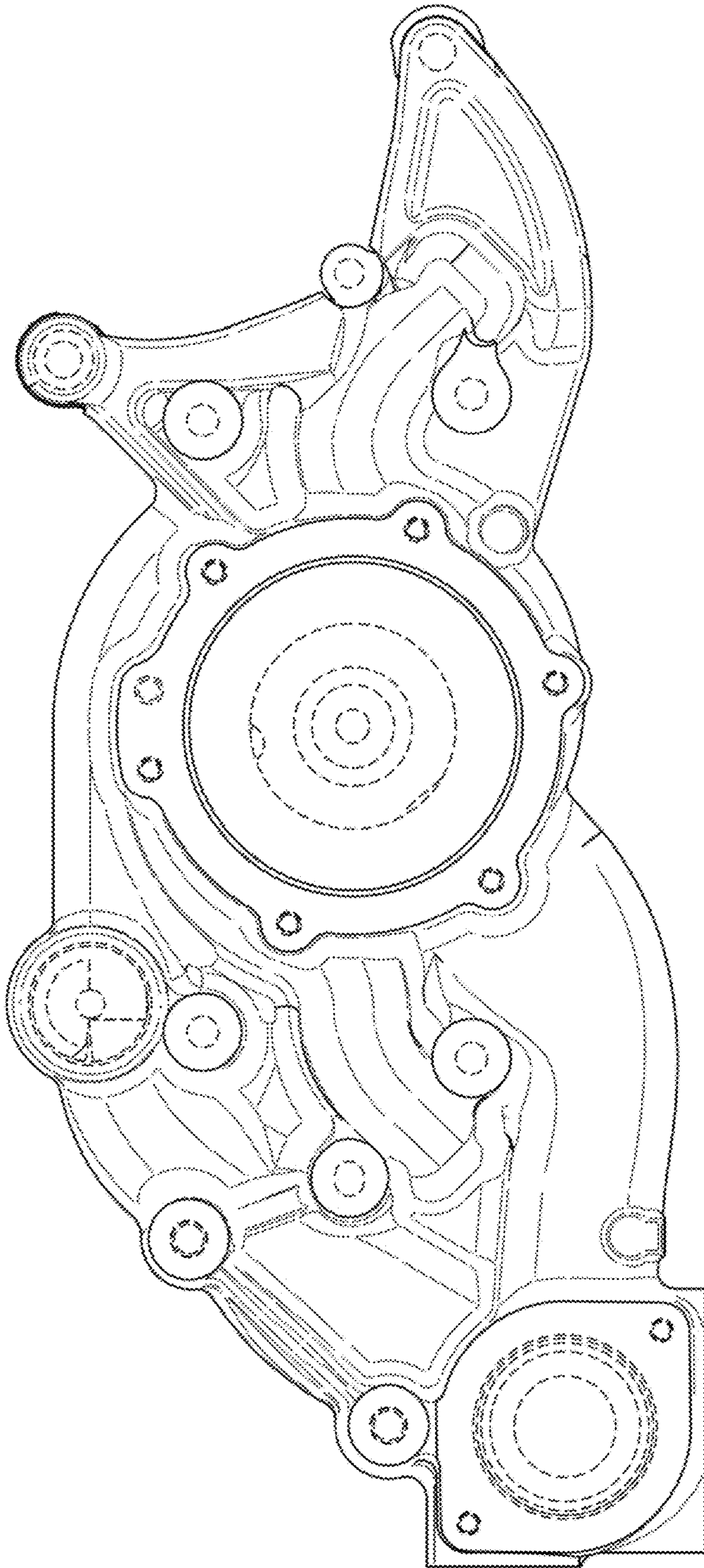


FIG. 15

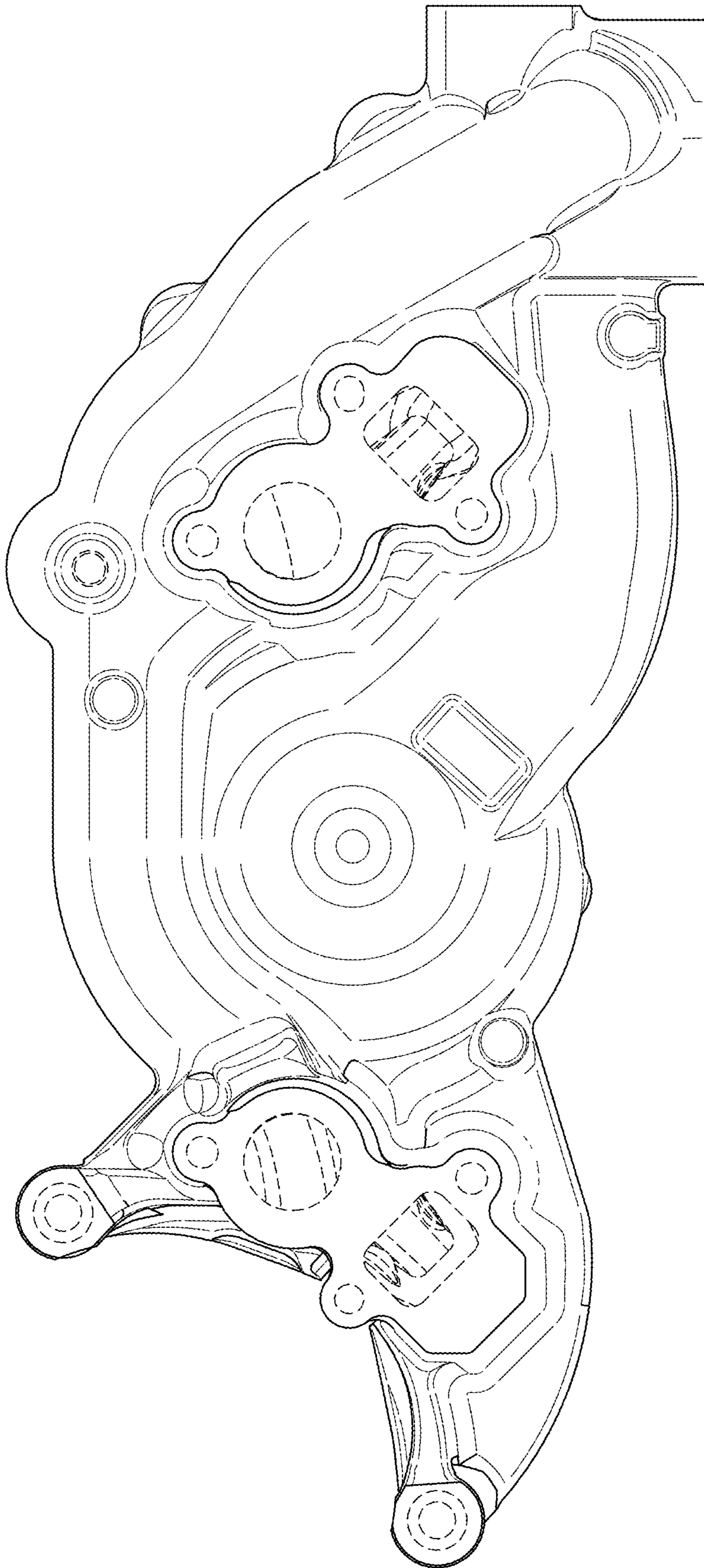


FIG. 16