



US00D900863S

(12) **United States Design Patent**
Clingerman

(10) **Patent No.:** **US D900,863 S**

(45) **Date of Patent:** **** Nov. 3, 2020**

(54) **DISPLAY SCREEN OR PORTION THEREOF WITH ANIMATED GRAPHICAL USER INTERFACE**

(71) Applicant: **Exyn Technologies**, Philadelphia, PA (US)

(72) Inventor: **Christopher Clingerman**, Bristol, PA (US)

(73) Assignee: **Exyn Technologies**, Philadelphia, PA (US)

(**) Term: **15 Years**

(21) Appl. No.: **29/658,700**

(22) Filed: **Aug. 2, 2018**

(51) **LOC (12) Cl.** **14-04**

(52) **U.S. Cl.**
USPC **D14/488**

(58) **Field of Classification Search**
USPC D14/485-95
CPC G06F 3/048; G06F 3/0481; G06F 3/04812; G06F 3/04817; G06F 3/0482; G06F 3/0484; G06F 3/0485; G06F 3/0487; G06F 3/0488; G06F 3/04883; G06F 3/04886; G06F 3/0489

See application file for complete search history.

(56) **References Cited**

U.S. PATENT DOCUMENTS

D650,800	S	*	12/2011	Impas	D14/493
D673,580	S	*	1/2013	Doerr	D14/489
D689,089	S	*	9/2013	Impas	D14/489
D689,091	S	*	9/2013	Impas	D14/489
D693,365	S	*	11/2013	Gardner	D14/489
D697,072	S	*	1/2014	Ouilhet	D14/485
D712,920	S	*	9/2014	Sloo	D14/487
D732,062	S	*	6/2015	Kwon	D14/487

D733,740	S	*	7/2015	Lee	D14/487
D743,972	S	*	11/2015	Yoon	D14/485
D748,101	S	*	1/2016	Bang	G06F 3/04817 D14/485
D753,716	S	*	4/2016	Torres	D14/491
D759,034	S	*	6/2016	Jeong	D14/485
D759,087	S	*	6/2016	Thov	D14/487
D760,782	S	*	7/2016	Kendler	D14/492
D761,843	S	*	7/2016	Kim	D14/488
D761,846	S	*	7/2016	Moon	D14/488
D763,267	S	*	8/2016	Brunner	D14/485
D763,875	S	*	8/2016	Yuk	D14/485
D768,149	S	*	10/2016	Engstrand	D14/485
D772,931	S	*	11/2016	Vulk	D14/489
D778,312	S	*	2/2017	Goodwin	D14/487
D789,391	S	*	6/2017	Cabrera, Jr.	D14/486
D789,985	S	*	6/2017	Naour	D14/488

(Continued)

Primary Examiner — Melanie H Tung

(74) *Attorney, Agent, or Firm* — White and Williams LLP

(57) **CLAIM**

The ornamental design for a display screen or portion thereof with animated graphical user interface, as shown and described.

DESCRIPTION

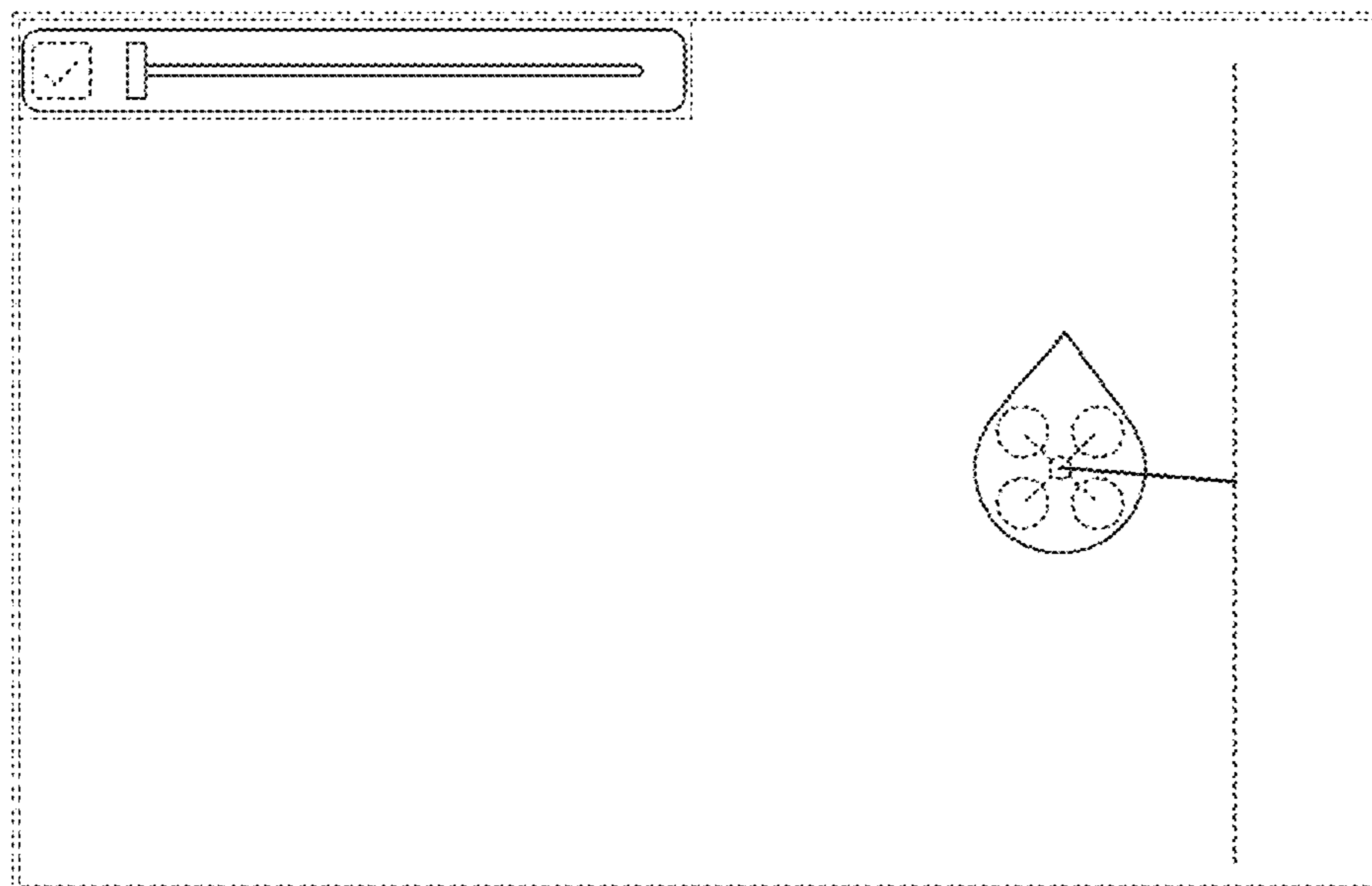
FIG. 1 is a top view of the first image in a sequence of a display screen or portion thereof with animated graphical user interface;

FIG. 2 is a top view of the second image; and,

FIG. 3 is a top view of the third image.

The outermost broken lines in the figures show a display screen or portion thereof and form no part of the claimed design. The other broken lines in the figures show portions of the animated graphical user interface that form no part of the claimed design. The appearance of the image sequentially transitions between the images shown in FIGS. 1, 2, and 3. The process or period in which an image transitions to another image forms no part of the claimed design.

1 Claim, 3 Drawing Sheets



(56)

References Cited

U.S. PATENT DOCUMENTS

D797,126	S	*	9/2017	Broughton	D14/485
D797,788	S	*	9/2017	Havranek, Jr.	D14/488
D798,309	S	*	9/2017	Rickes	D14/485
D804,516	S	*	12/2017	Dye	D14/487
D811,428	S	*	2/2018	LeVell	D14/487
D813,252	S	*	3/2018	van Dok	D14/486
D815,646	S	*	4/2018	van Dok	D14/486
D816,713	S	*	5/2018	Kang	D14/492
D820,315	S	*	6/2018	Rowe	D14/492
D822,052	S	*	7/2018	Rickes	D14/486
D829,239	S	*	9/2018	Rehman	D14/487
D835,124	S	*	12/2018	VanDuyne	D14/485
D851,105	S	*	6/2019	Uppala	D14/485
D851,119	S	*	6/2019	Rickes	D14/486
2015/0324069	A1	*	11/2015	Raszka	G06F 3/0481 715/834
2018/0067631	A1	*	3/2018	Thiercelin	G06F 3/04845

* cited by examiner

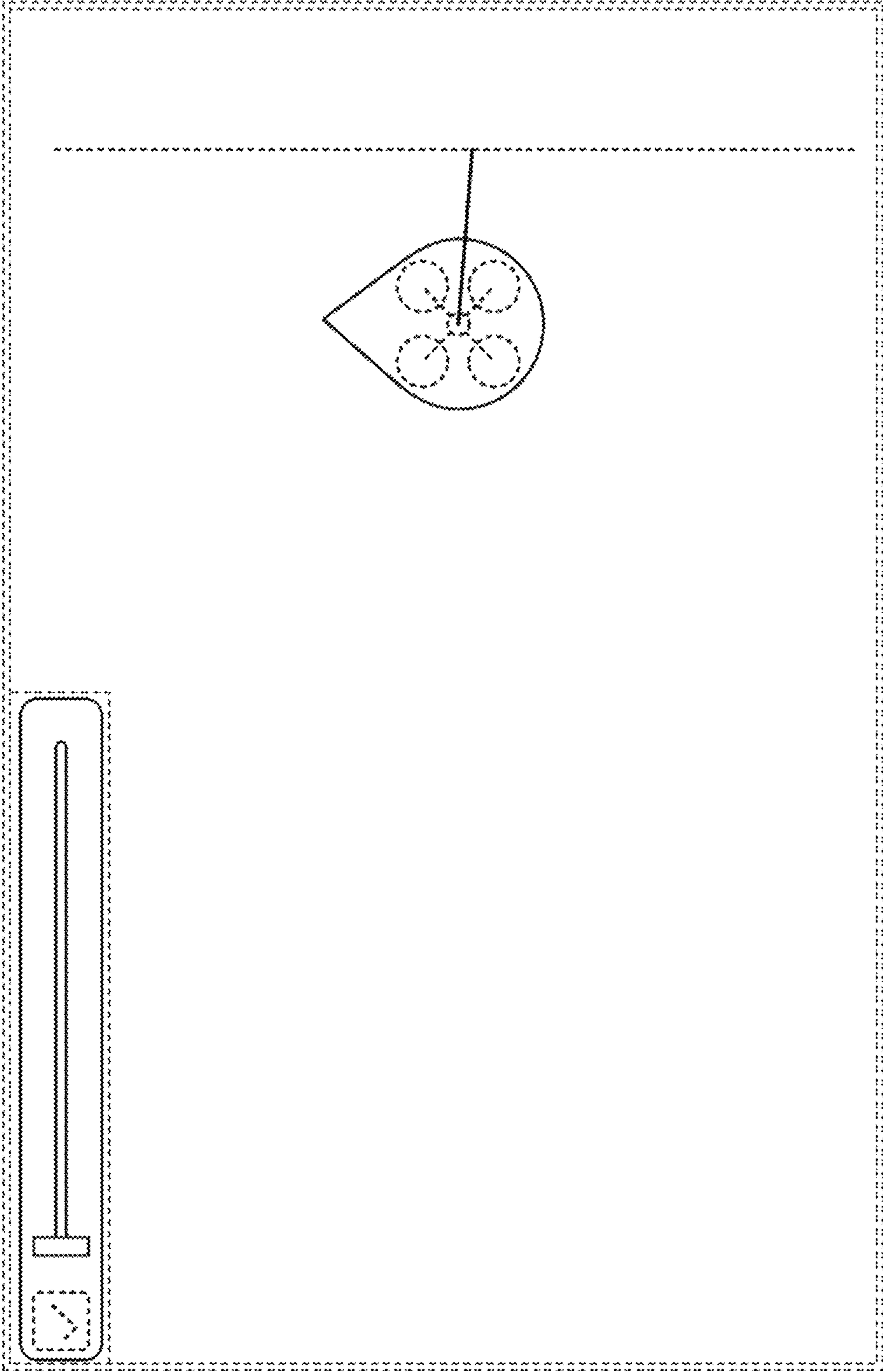


FIG. 1

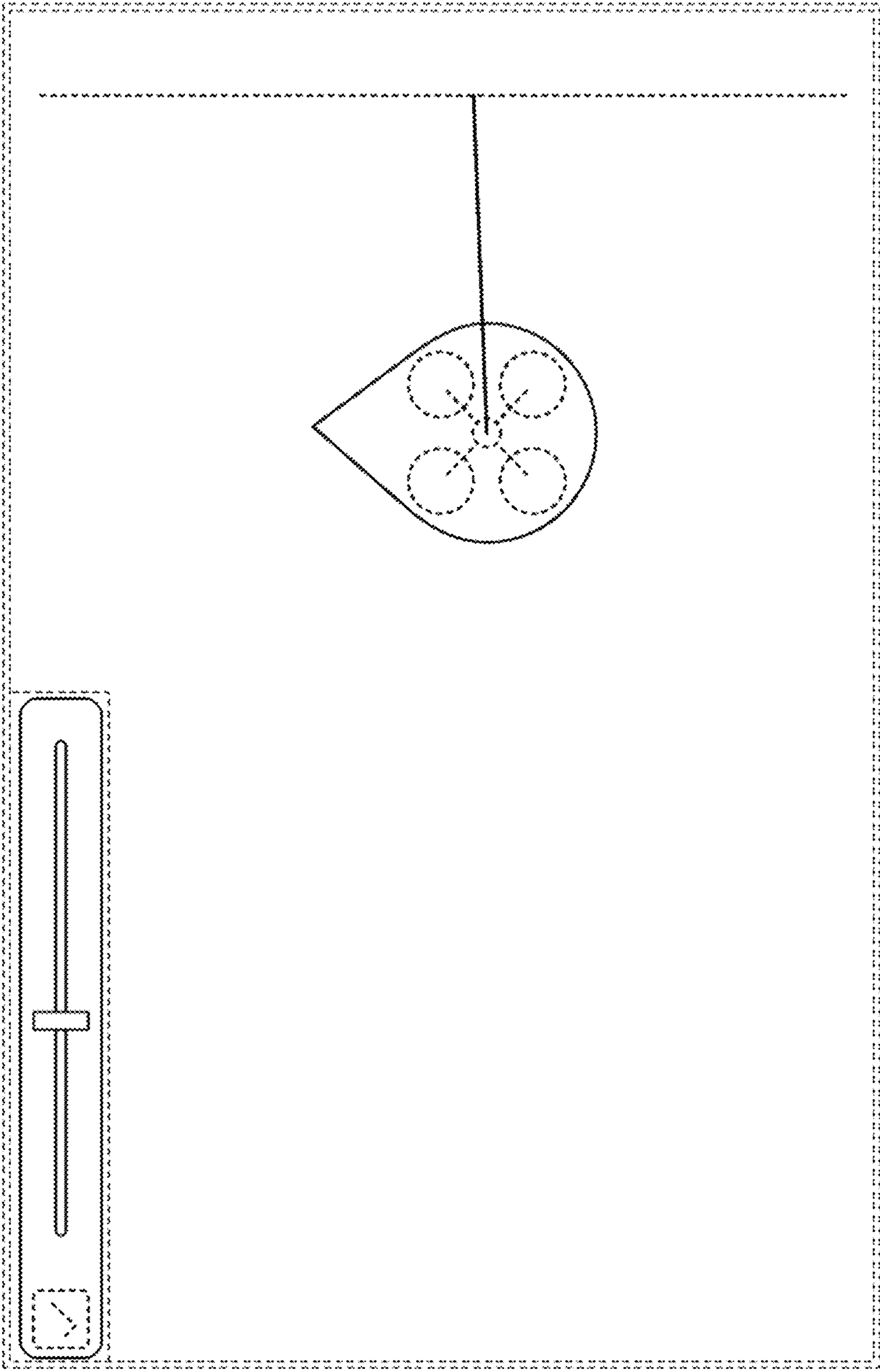


FIG. 2

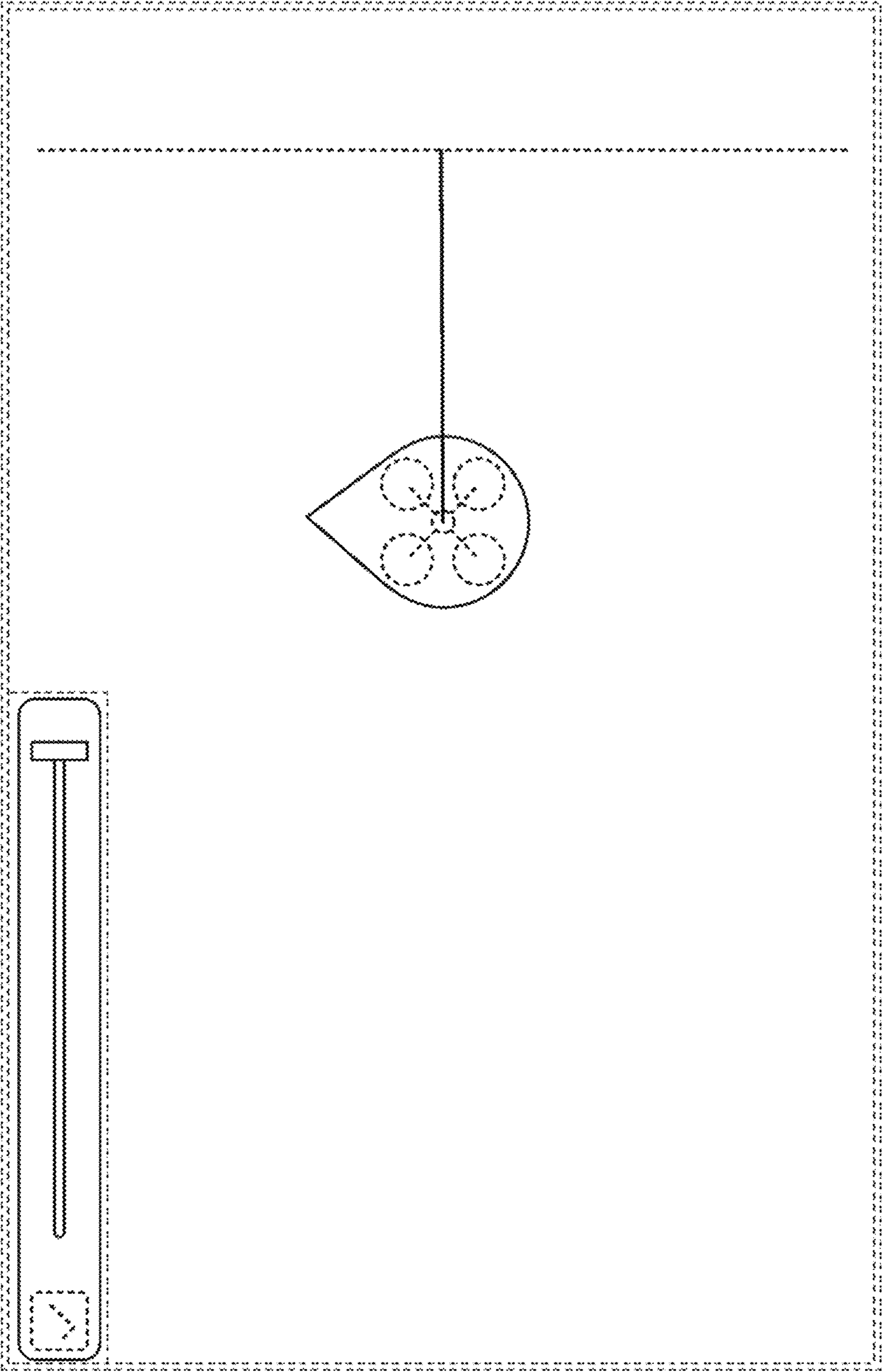


FIG. 3