



US00D900858S

(12) **United States Design Patent**
Keating

(10) **Patent No.:** **US D900,858 S**

(45) **Date of Patent:** **** Nov. 3, 2020**

(54) **DISPLAY SCREEN, OR PORTION THEREOF, WITH GRAPHICAL USER INTERFACE**

D815,117 S *	4/2018	Rapp	D14/485
10,007,824 B1 *	6/2018	McQueen	G06K 7/10732
D835,118 S *	12/2018	Lee	D14/485
D864,246 S *	10/2019	Park	D14/491
2020/0007209 A1 *	1/2020	Kang	G01S 3/046

(71) Applicant: **Trivver, Inc.**, Huntington Beach, CA (US)

(72) Inventor: **Simon Keating**, Aldershot (GB)

(73) Assignee: **Trivver, Inc.**, Huntington Beach, CA (US)

(**) Term: **15 Years**

(21) Appl. No.: **29/631,277**

(22) Filed: **Dec. 28, 2017**

(51) **LOC (12) Cl.** **14-04**

(52) **U.S. Cl.**
USPC **D14/487**

(58) **Field of Classification Search**
USPC D14/485-495
CPC G06F 3/04817; G06F 3/0482; H04N 1/00472

See application file for complete search history.

(56) **References Cited**

U.S. PATENT DOCUMENTS

D399,501 S *	10/1998	Arora	D14/491
D733,751 S *	7/2015	Kim	D14/491
D752,061 S *	3/2016	Ahn	D14/485
D752,067 S *	3/2016	Moon	D14/485
D765,674 S *	9/2016	Kim	D14/485
D776,680 S *	1/2017	Bae	D14/485
D788,119 S *	5/2017	Kennedy	D14/485
D804,494 S *	12/2017	Bombolowsky	D14/485
D809,522 S *	2/2018	Mizono	D14/485

OTHER PUBLICATIONS

Identifont [online], 2016 [retrieved Mar. 24, 2020], Retrieved from the internet<identifont.com/show?45SW>, Funkis font image. (Year: 2016).*

* cited by examiner

Primary Examiner — Richelle G Shelton

(74) *Attorney, Agent, or Firm* — Chhabra Law Firm, PC

(57) **CLAIM**

The ornamental design for a display screen, or portion thereof, with graphical user interface, as shown and described.

DESCRIPTION

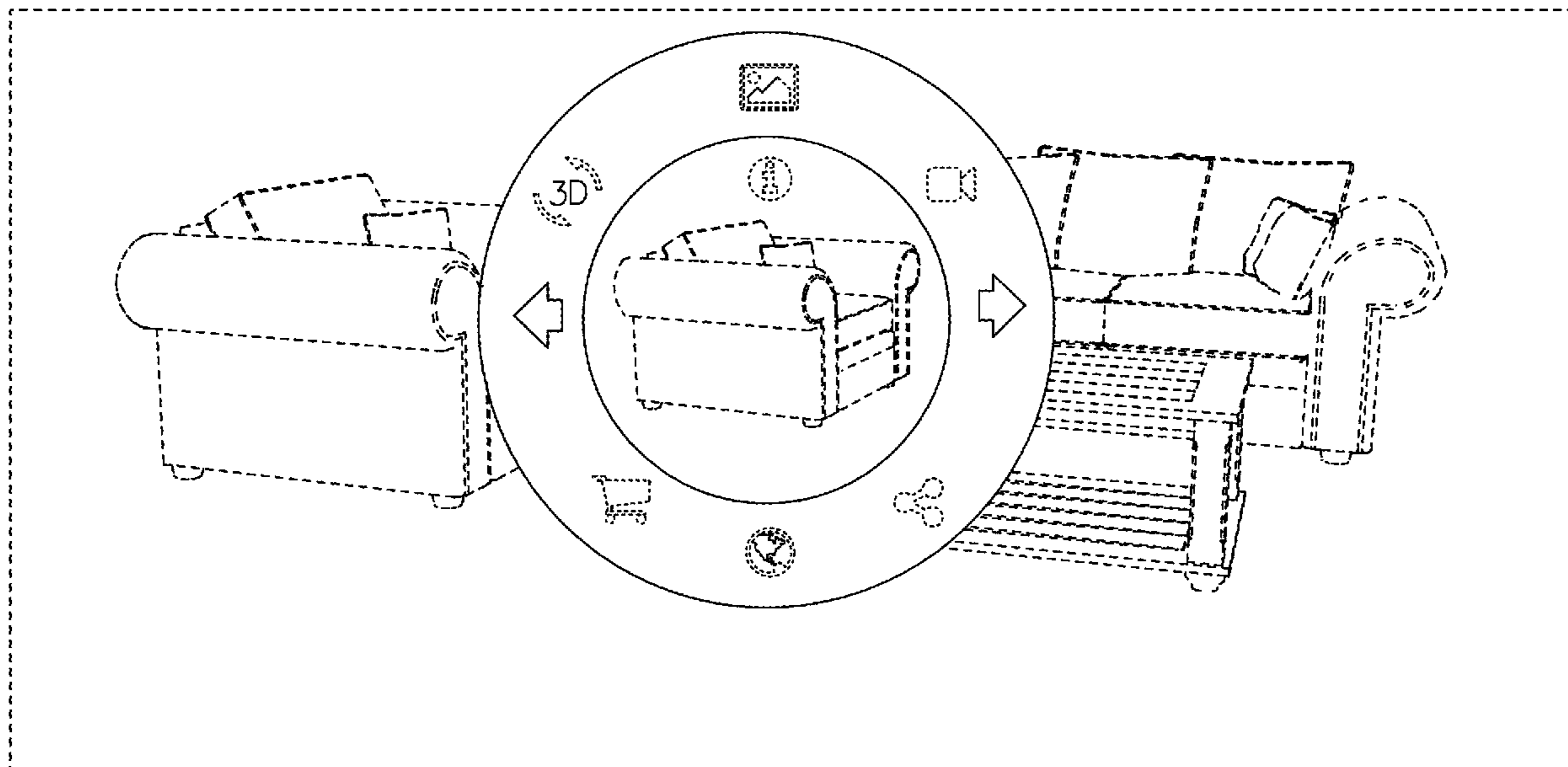
FIG. 1 is a front view of a display screen, or portion thereof, with graphical user interface showing a first embodiment of the new design.

FIG. 2 is a detail view thereof, shown separately for ease of illustration; and,

FIG. 3 is a front view thereof, shown in an alternate environment.

The broken line showings of the display screen, or a portion thereof, and of selected elements of the graphical user interface are for environmental purposes only and form no part of the claimed design.

1 Claim, 3 Drawing Sheets



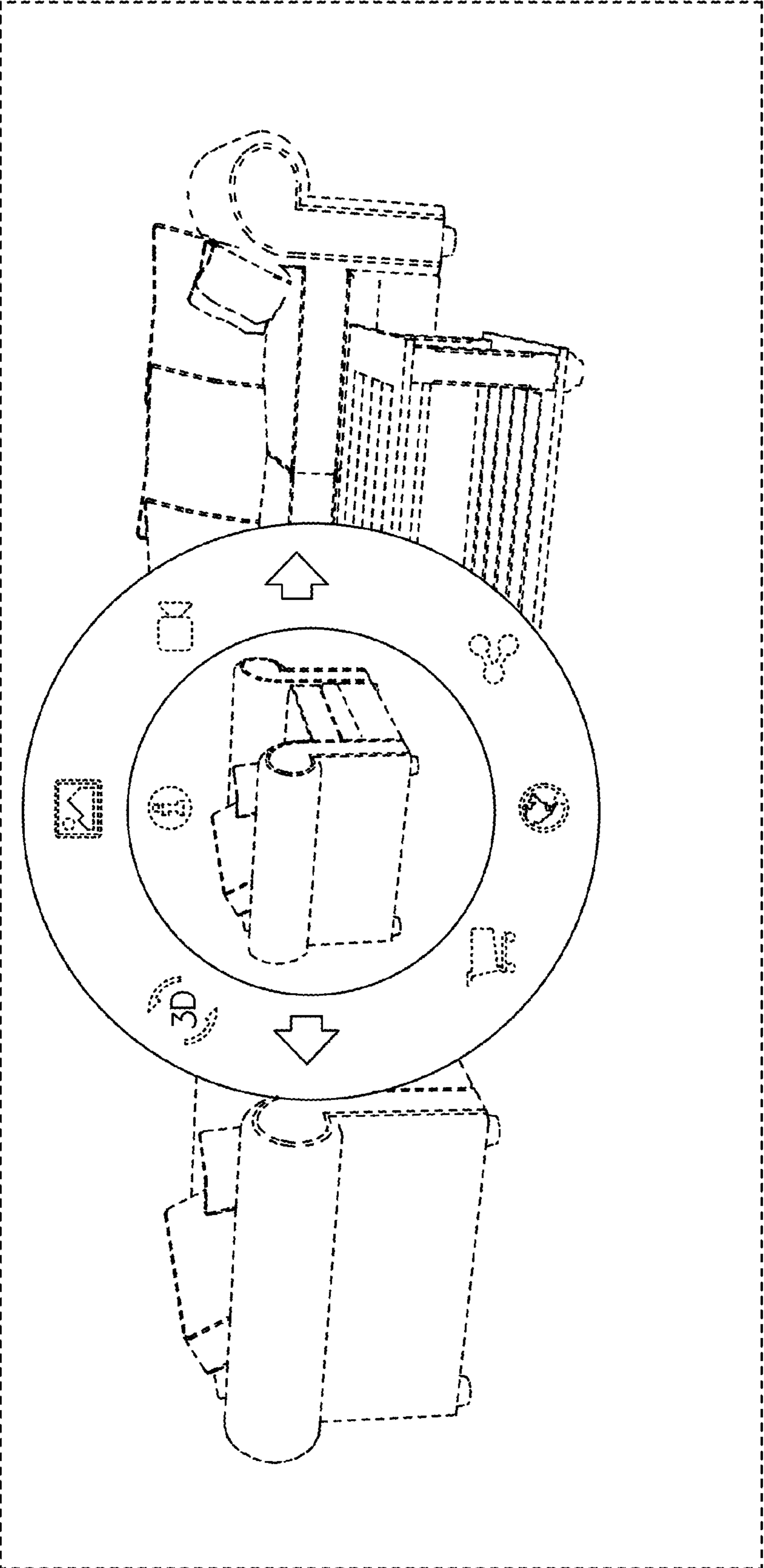
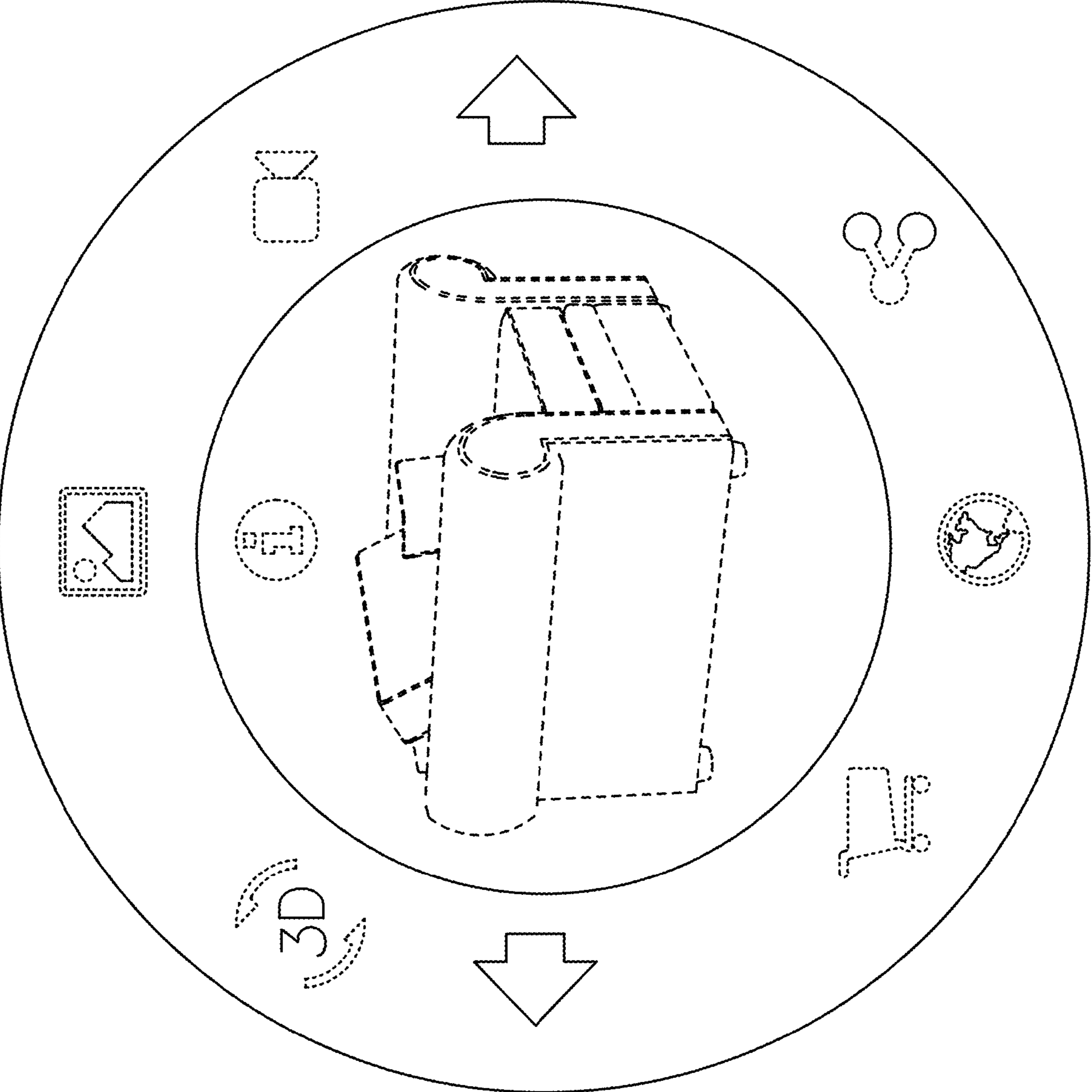


FIG. 1

FIG. 2



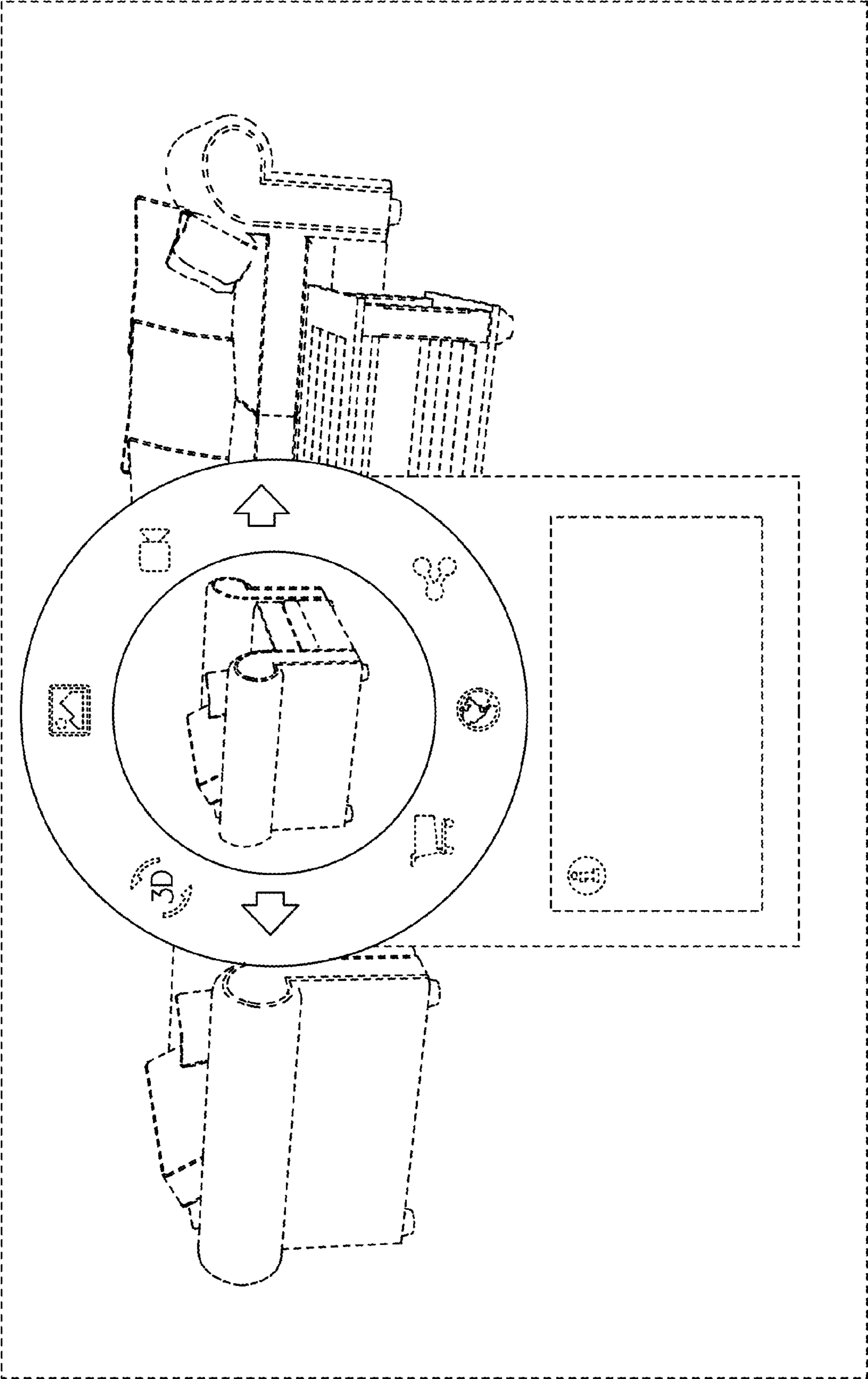


FIG. 3