



US00D900828S

(12) **United States Design Patent** (10) **Patent No.:** **US D900,828 S**
Chen (45) **Date of Patent:** **** Nov. 3, 2020**

(54) **PROTECTIVE CASE WITH STAND FOR
TABLET COMPUTER**
(71) Applicant: **Dongguan YIHE Silicone&Rubber
Technology Co., Ltd, Guangdong (CN)**

D803,221 S * 11/2017 Guo D14/440
D806,080 S * 12/2017 Chen D14/440
D807,369 S * 1/2018 Chen D14/440
D808,973 S * 1/2018 Chen D14/440
D811,412 S * 2/2018 McCurdy D14/440
D812,620 S * 3/2018 Cheng D14/440
D831,030 S * 10/2018 Gao D14/440
D831,659 S * 10/2018 Gao D14/440
2012/0075799 A1 * 3/2012 Pollex G06F 1/1622
361/679.56

(72) Inventor: **Ling Chen, Guangdong (CN)**

(**) Term: **15 Years**

(21) Appl. No.: **29/733,477**

(22) Filed: **May 4, 2020**

(30) **Foreign Application Priority Data**

Nov. 9, 2019 (CN) 2019 3 0616436

(51) **LOC (12) Cl.** **14-02**

(52) **U.S. Cl.**
USPC **D14/440**

(58) **Field of Classification Search**
USPC D14/440; 206/45.23, 320, 45.2;
361/679.55; 294/25; 224/218
CPC ... G06F 1/1628; G06F 1/1626; A47B 23/044;
H04B 1/3888; H05K 5/0217
See application file for complete search history.

(56) **References Cited**

U.S. PATENT DOCUMENTS

D733,154 S * 6/2015 Armstrong D14/440
D763,853 S * 8/2016 Pearce D14/440
D790,550 S * 6/2017 Chen D14/440

* cited by examiner

Primary Examiner — Cynthia R Underwood

(74) *Attorney, Agent, or Firm* — Prakash Nama; Global IP Services, PLLC

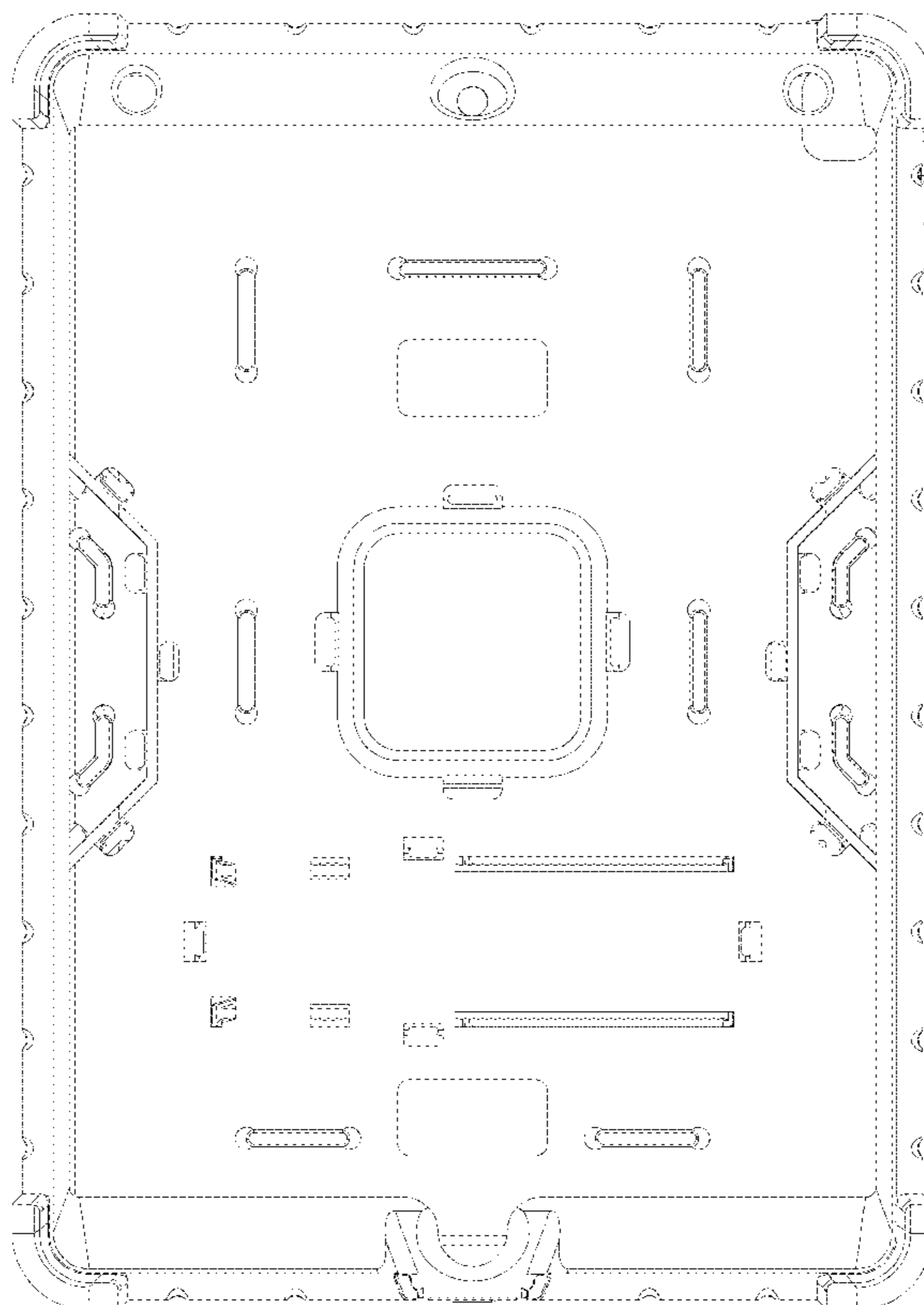
(57) **CLAIM**

The ornamental design for a protective case with stand for tablet computer, as shown.

DESCRIPTION

FIG. 1 is a front elevational view of a protective case with stand for tablet computer showing my new design;
FIG. 2 is a rear elevational view thereof;
FIG. 3 is a left side view thereof;
FIG. 4 is a right side view thereof;
FIG. 5 is a top plan view thereof;
FIG. 6 is a bottom plan view thereof;
FIG. 7 is a perspective view thereof;
FIG. 8 is a second perspective view thereof;
FIG. 9 is a third perspective view thereof; and,
FIG. 10 is a fourth perspective view thereof.

1 Claim, 9 Drawing Sheets



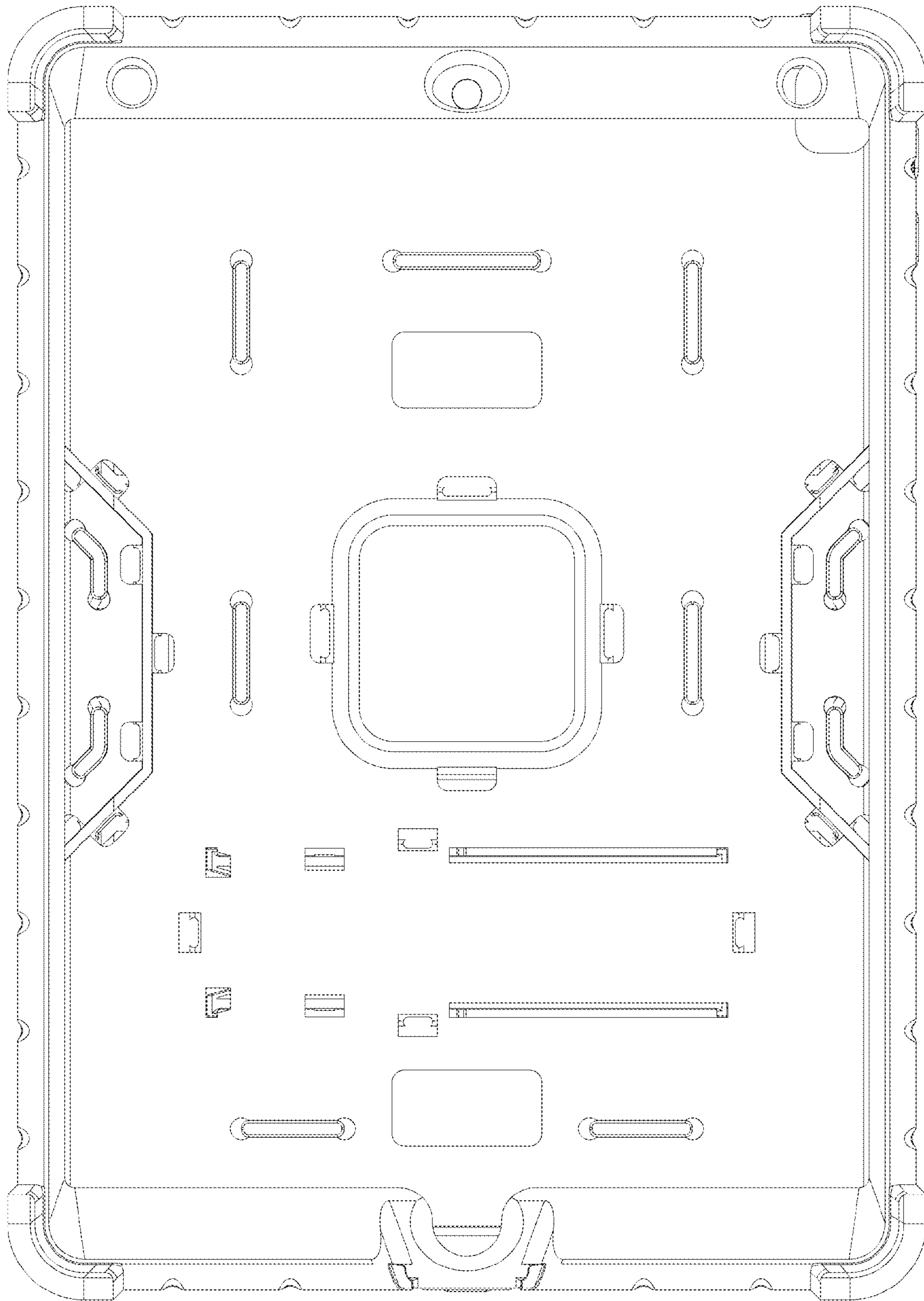


Fig. 1

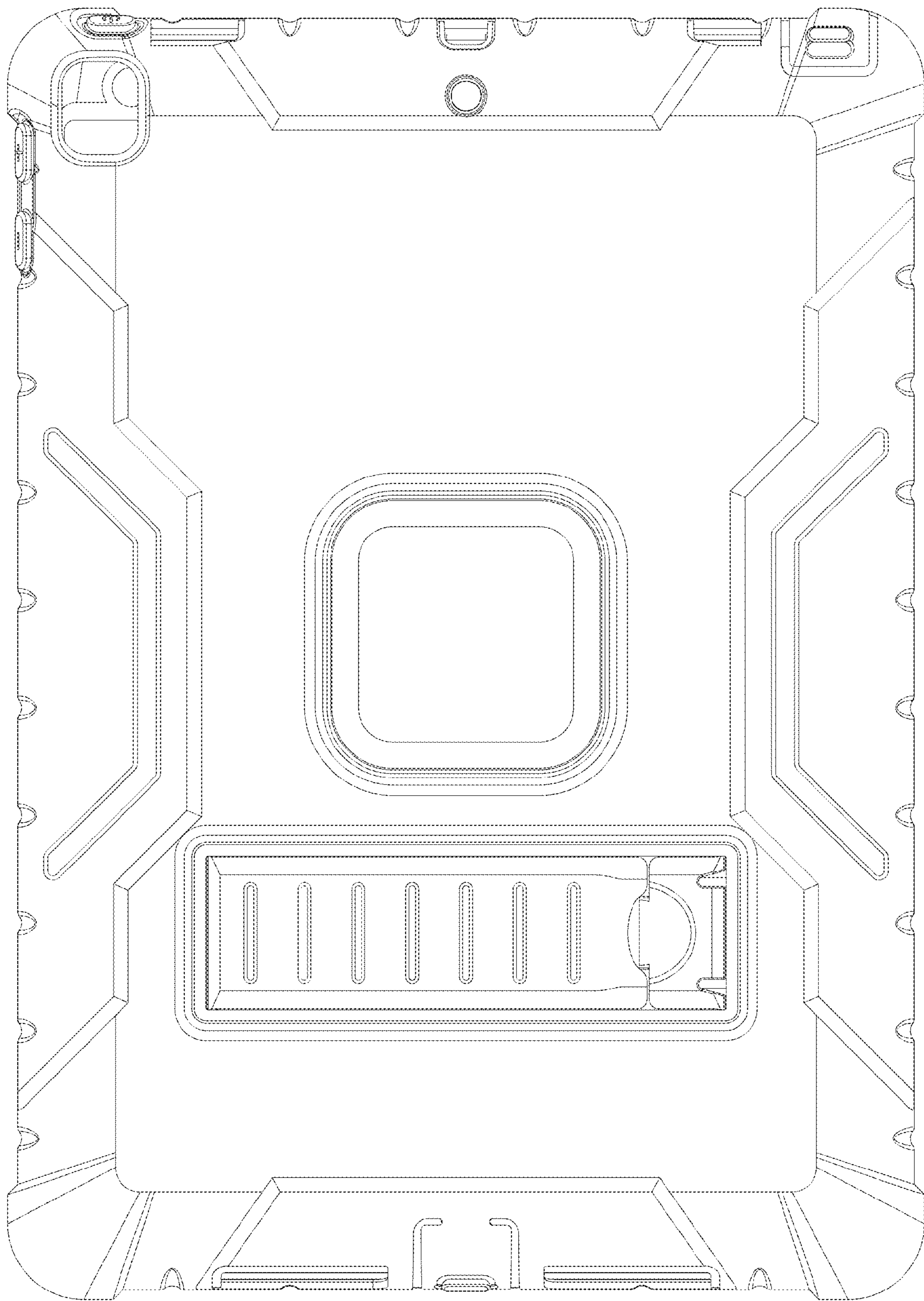


Fig. 2

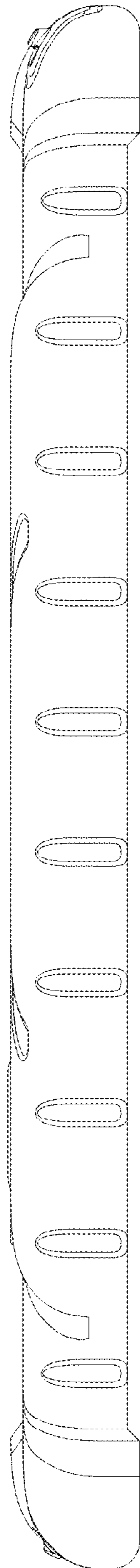


Fig. 3

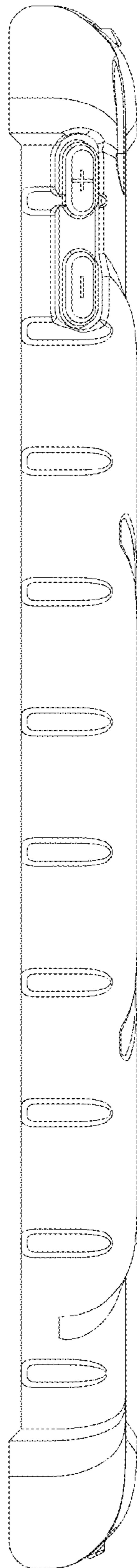


Fig. 4

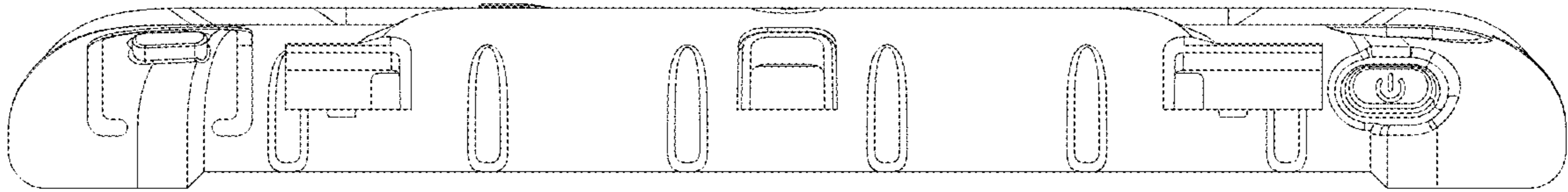


Fig. 5

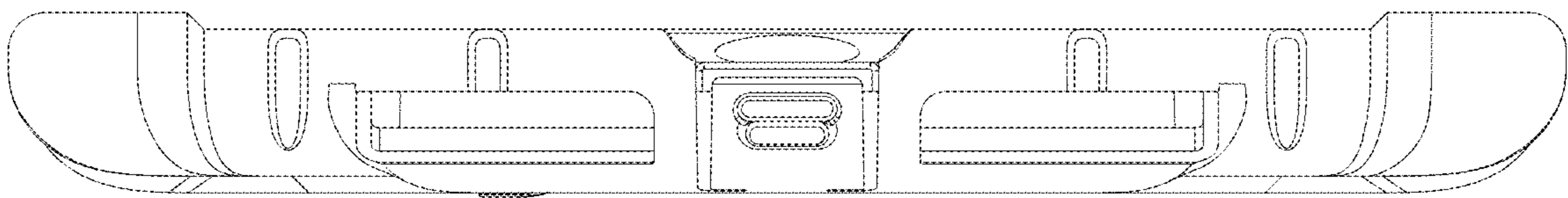


Fig. 6

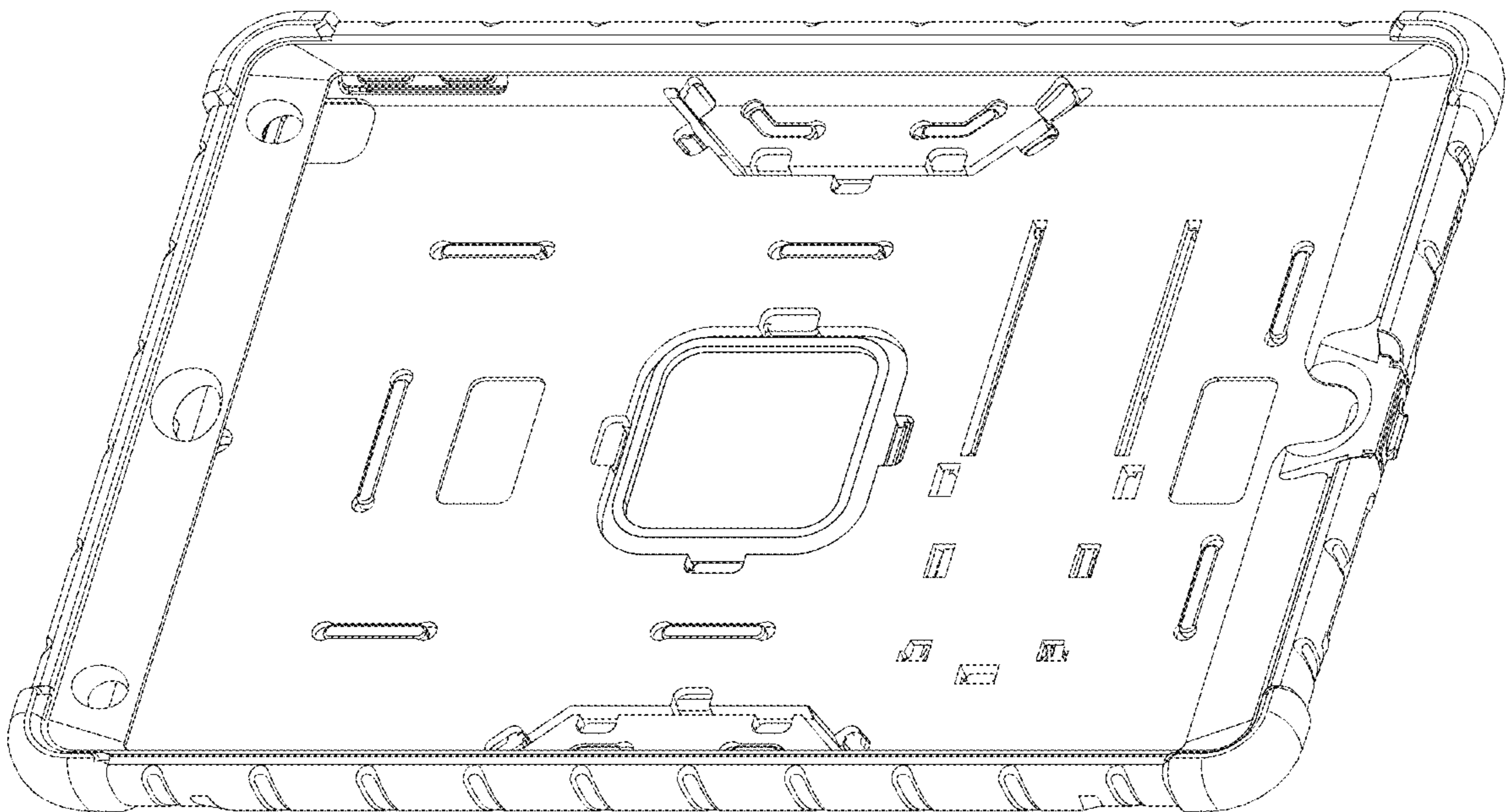


Fig. 7

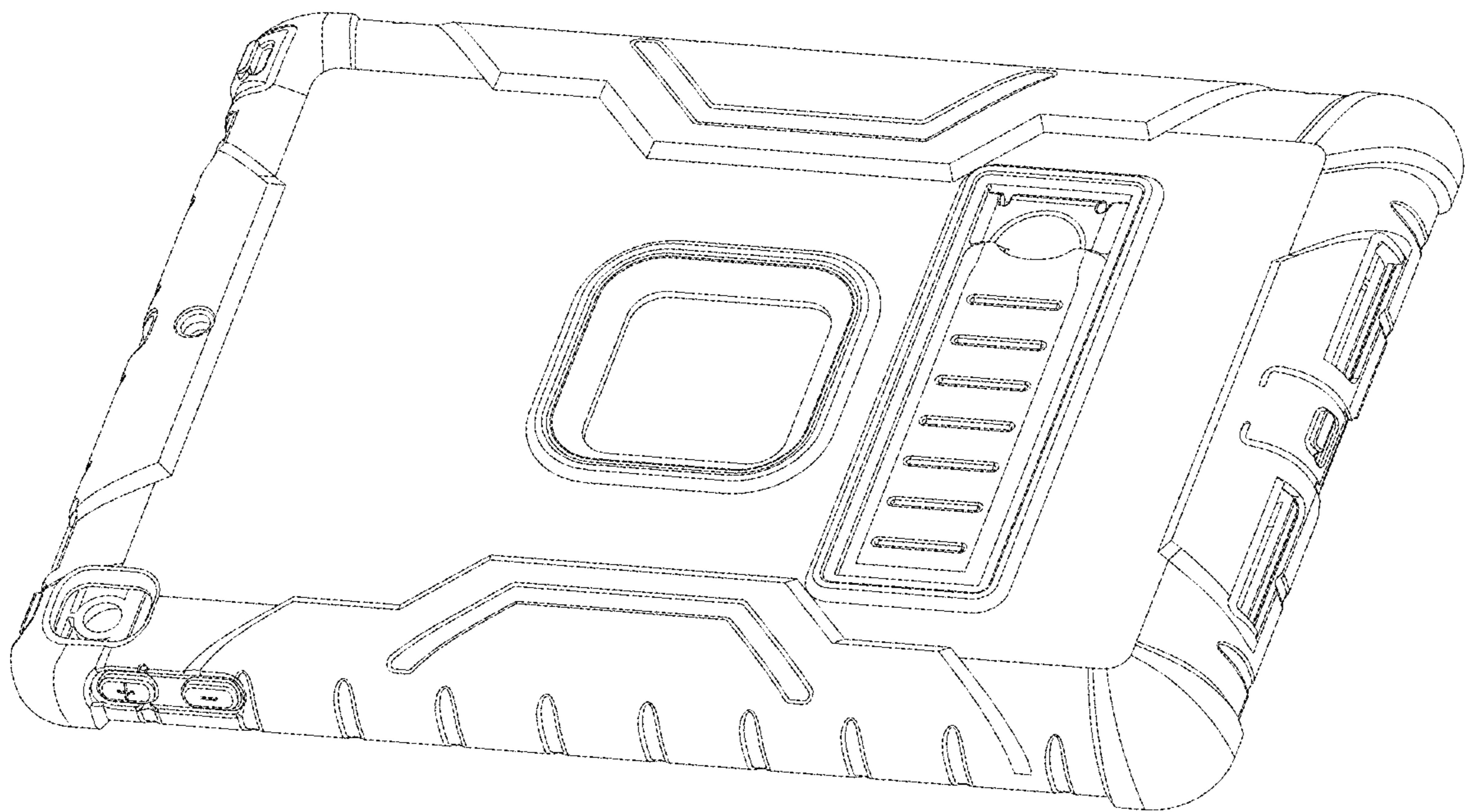


Fig. 8

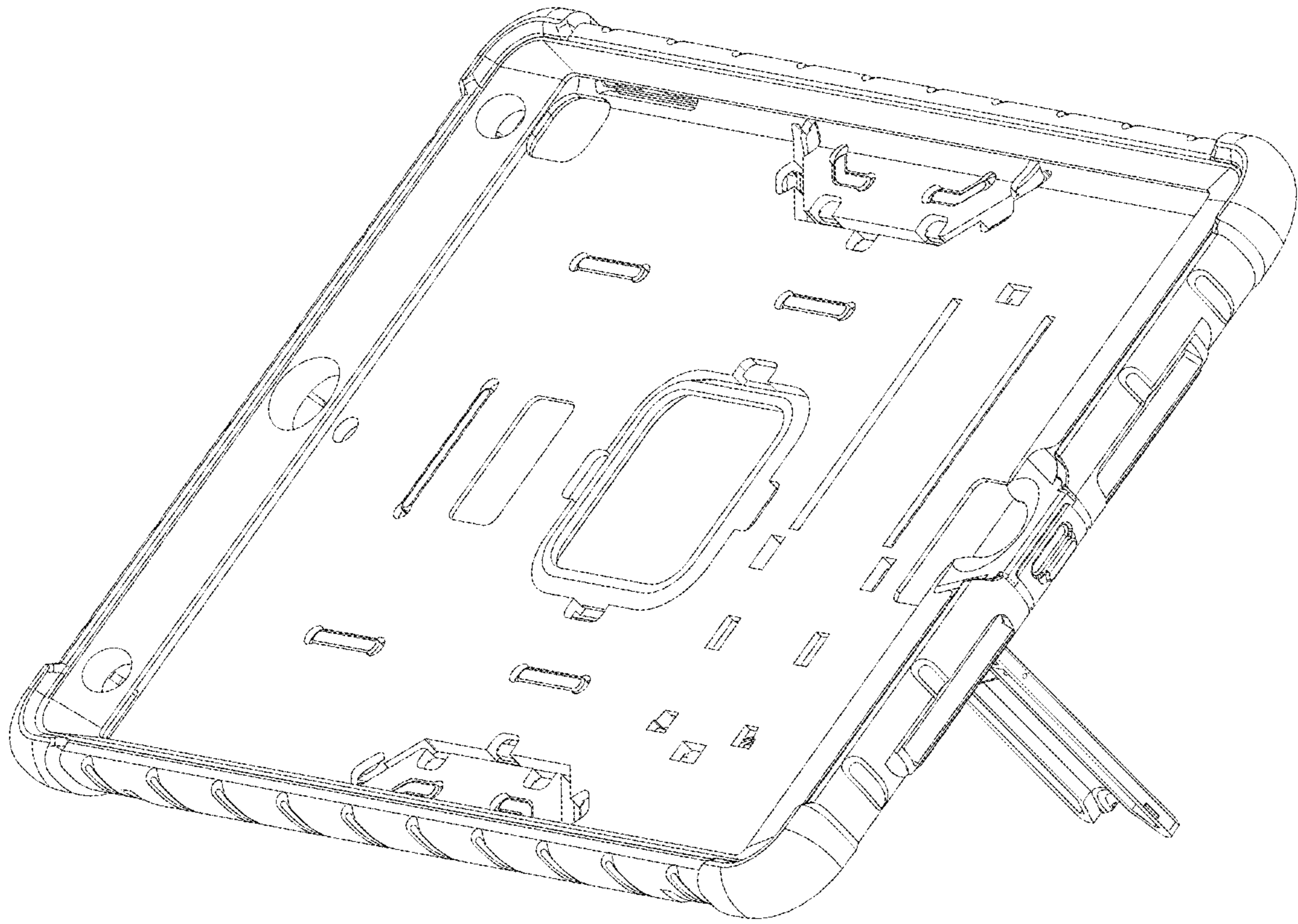


Fig. 9

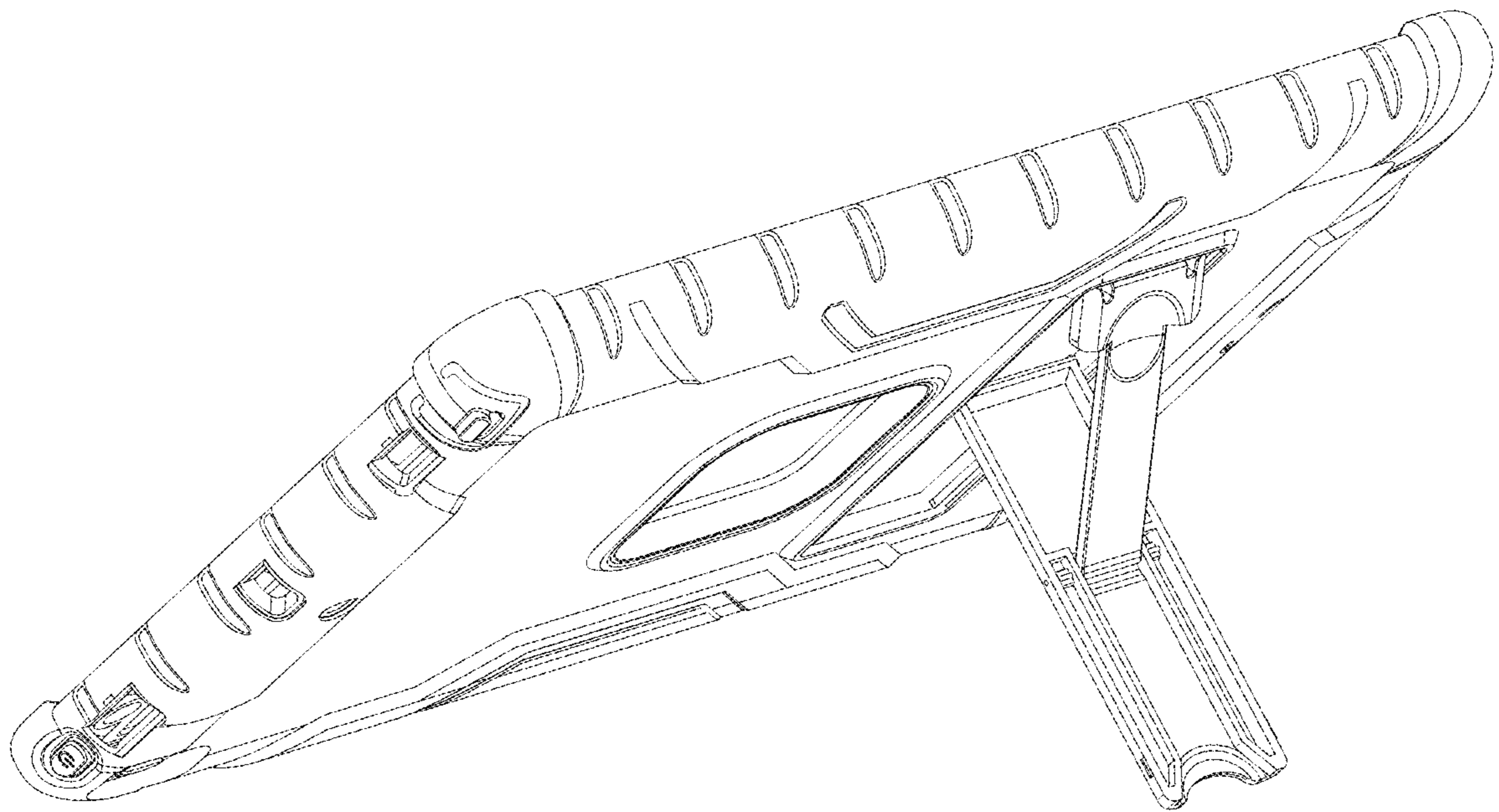


Fig. 10