



US00D900825S

(12) **United States Design Patent** (10) **Patent No.:** **US D900,825 S**
Zhong (45) **Date of Patent:** **** Nov. 3, 2020**

(54) **KEYBOARD DOCK**

(71) Applicant: **Getac Technology Corporation**,
Hsinchu County (TW)

(72) Inventor: **Shi-Liang Zhong**, Taipei (TW)

(73) Assignee: **GETAC TECHNOLOGY CORPORATION**, Hsinchu County (TW)

(**) Term: **15 Years**

(21) Appl. No.: **29/691,089**

(22) Filed: **May 14, 2019**

(51) **LOC (12) Cl.** **14-02**

(52) **U.S. Cl.**
USPC **D14/434; D14/455**

(58) **Field of Classification Search**
USPC D14/356, 358, 432, 434, 447, 149, 168,
D14/217, 224, 224.1, 238.1, 251, 252,
(Continued)

(56) **References Cited**

U.S. PATENT DOCUMENTS

D710,861 S * 8/2014 Yagi D14/447
D734,762 S * 7/2015 Itano D14/455
(Continued)

FOREIGN PATENT DOCUMENTS

EM 002758276-0002 * 9/2015

OTHER PUBLICATIONS

Getac K120 Detachable Keyboard Dock, online, no post date, URL:
<https://www.ruggedcomputing.com.au/GDKBU5-p/gdkbu5.htm>,
retrieved Jul. 14, 2020.*

Primary Examiner — Jeffrey D Asch

Assistant Examiner — Rebekah A Caruso

(74) *Attorney, Agent, or Firm* — Locke Lord LLP; Tim Tingkang Xia, Esq.

(57) **CLAIM**

The ornamental design for a keyboard dock, as shown and described.

DESCRIPTION

FIG. 1 is a top, front and left side perspective view of a keyboard dock showing my new design;

FIG. 2 is a top, front and right side perspective view thereof;

FIG. 3 is a top, rear and left side perspective view thereof;

FIG. 4 is a top, rear and right side perspective view thereof;

FIG. 5 is a bottom, front and left side perspective view thereof;

FIG. 6 is a bottom, rear and right side perspective view thereof;

FIG. 7 is a front view thereof;

FIG. 8 is a rear view thereof;

FIG. 9 is a left side view thereof;

FIG. 10 is a right side view thereof;

FIG. 11 is a top view thereof;

FIG. 12 is a bottom view thereof;

FIG. 13 is an enlarged view of portion A in FIG. 1;

FIG. 14 is an enlarged view of portion B in FIG. 1;

FIG. 15 is an enlarged view of portion C in FIG. 2;

FIG. 16 is an enlarged view of portion D in FIG. 2;

FIG. 17 is an enlarged view of portion E in FIG. 3;

FIG. 18 is an enlarged view of portion F in FIG. 3;

FIG. 19 is an enlarged view of portion G in FIG. 4;

FIG. 20 is an enlarged view of portion H in FIG. 4;

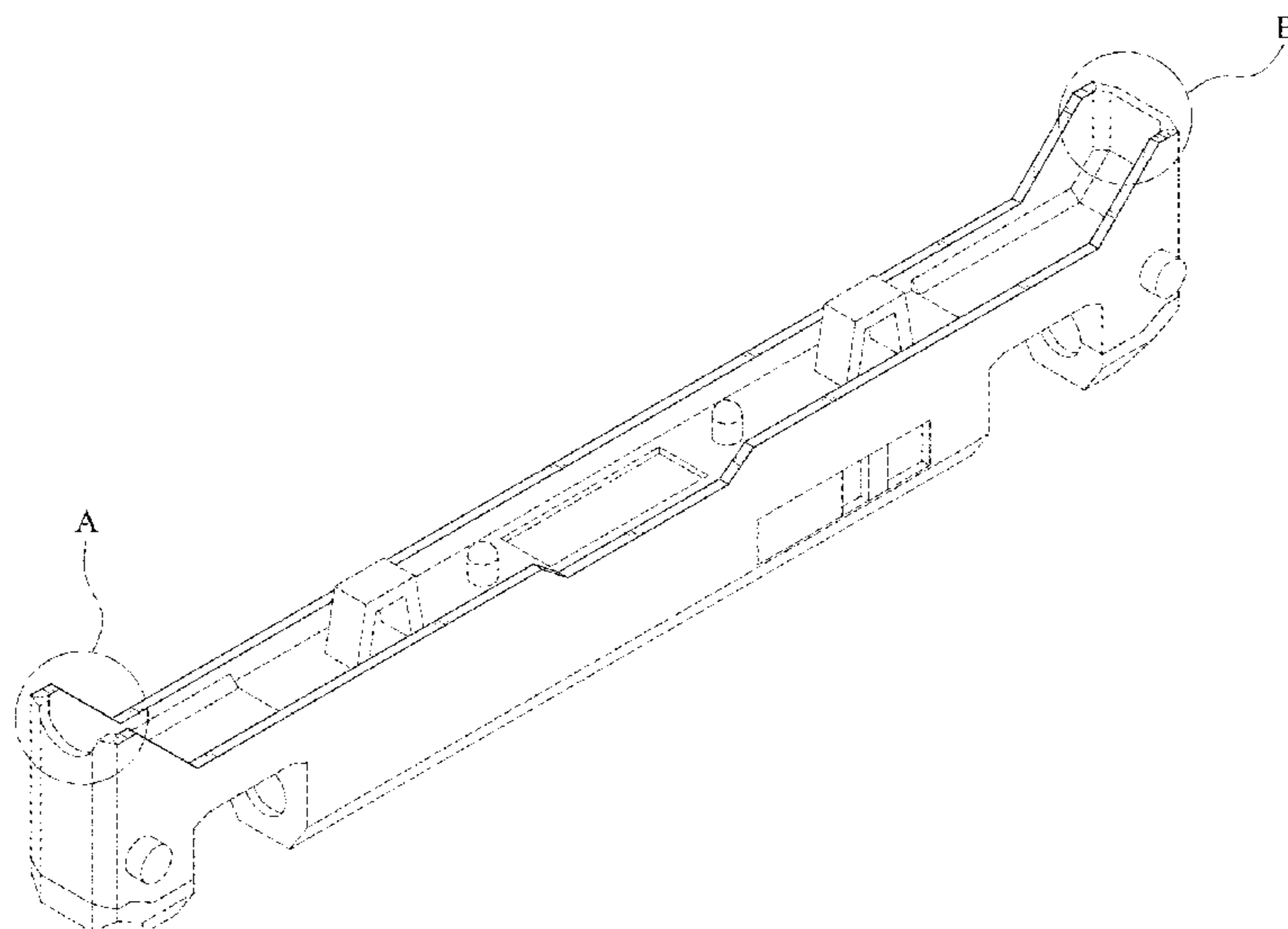
FIG. 21 is an enlarged view of portion I in FIG. 11; and,

FIG. 22 is an enlarged view of portion J in FIG. 11.

The evenly dashed broken lines illustrate environmental structure and form no part of the claimed design.

The unevenly dashed broken lines, which denote the limits of the claim, represent a boundary that forms no part of the claimed design.

1 Claim, 22 Drawing Sheets



(58) **Field of Classification Search**

USPC D14/253, 125, 126, 239, 392, 455, 457;
D13/107, 108, 146
CPC G06F 1/16; G06F 1/1626; G06F 1/1632;
G06F 1/1675; G06F 1/1688; F16M 11/10;
F16M 11/24; H05K 5/0234; H04M 1/04
See application file for complete search history.

(56) **References Cited**

U.S. PATENT DOCUMENTS

D735,211	S	*	7/2015	Itano	D14/455
D740,296	S	*	10/2015	Itano	D14/455
D757,013	S	*	5/2016	Sale	D14/434
D766,232	S	*	9/2016	Suzuki	D14/315
D776,660	S	*	1/2017	Takiguchi	D14/434
D776,661	S	*	1/2017	Takiguchi	D14/434
D776,662	S	*	1/2017	Takiguchi	D14/434
D776,663	S	*	1/2017	Takiguchi	D14/434
D778,282	S	*	2/2017	Takiguchi	D14/434
D785,634	S	*	5/2017	Iwamoto	D14/434
D815,098	S	*	4/2018	Teramoto	D14/434
D828,349	S	*	9/2018	Nagai	D14/318
10,067,533	B1	*	9/2018	Powell	G06F 1/1616
10,185,360	B1	*	1/2019	Yang	H01R 13/639
10,437,291	B2	*	10/2019	Hsu	G06F 1/1632
10,452,107	B2	*	10/2019	Katsuyama	G06F 1/1632
D888,714	S	*	6/2020	Lu	D14/392
2018/0107248	A1	*	4/2018	Pischel	H05K 5/0221

* cited by examiner

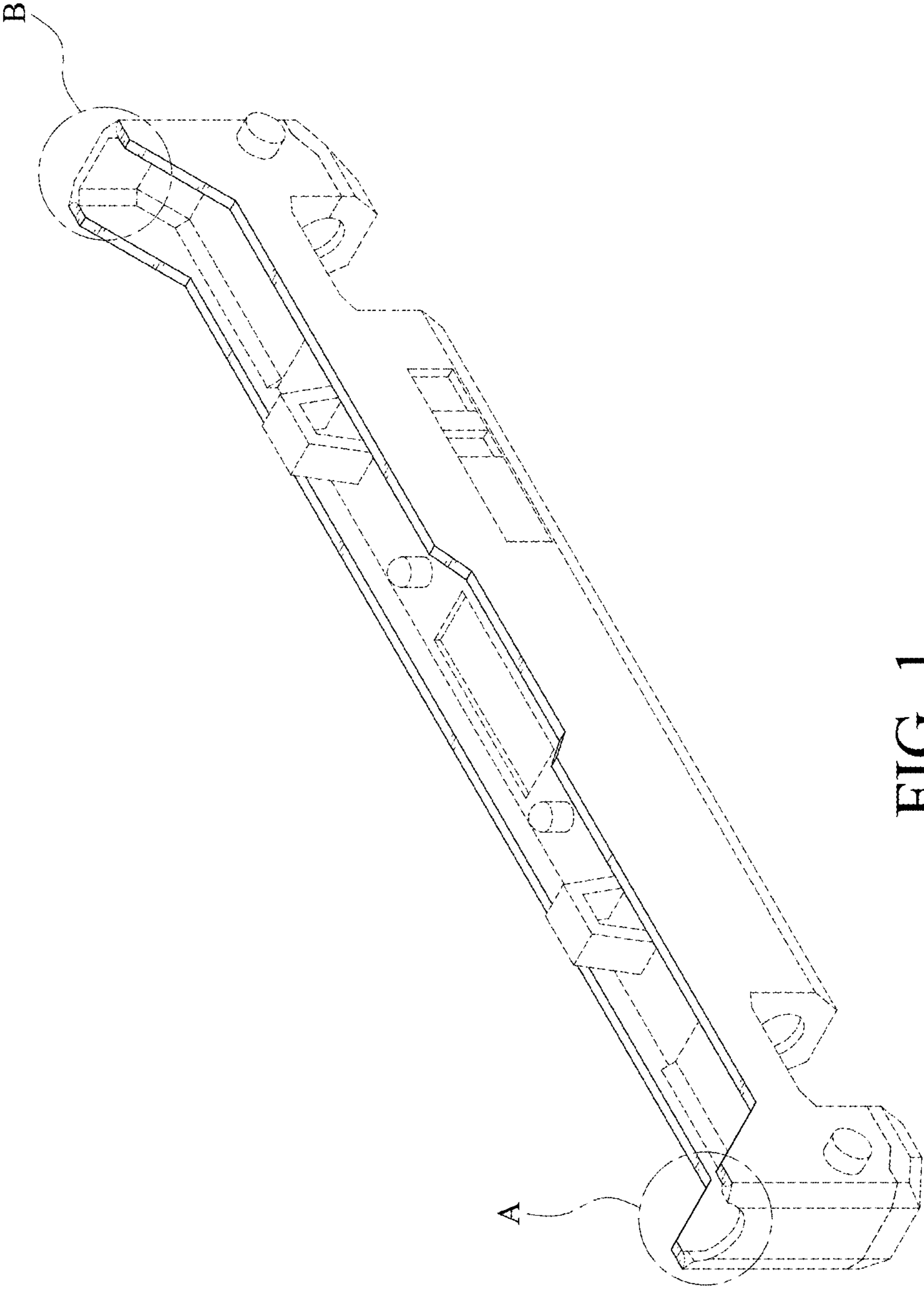


FIG. 1

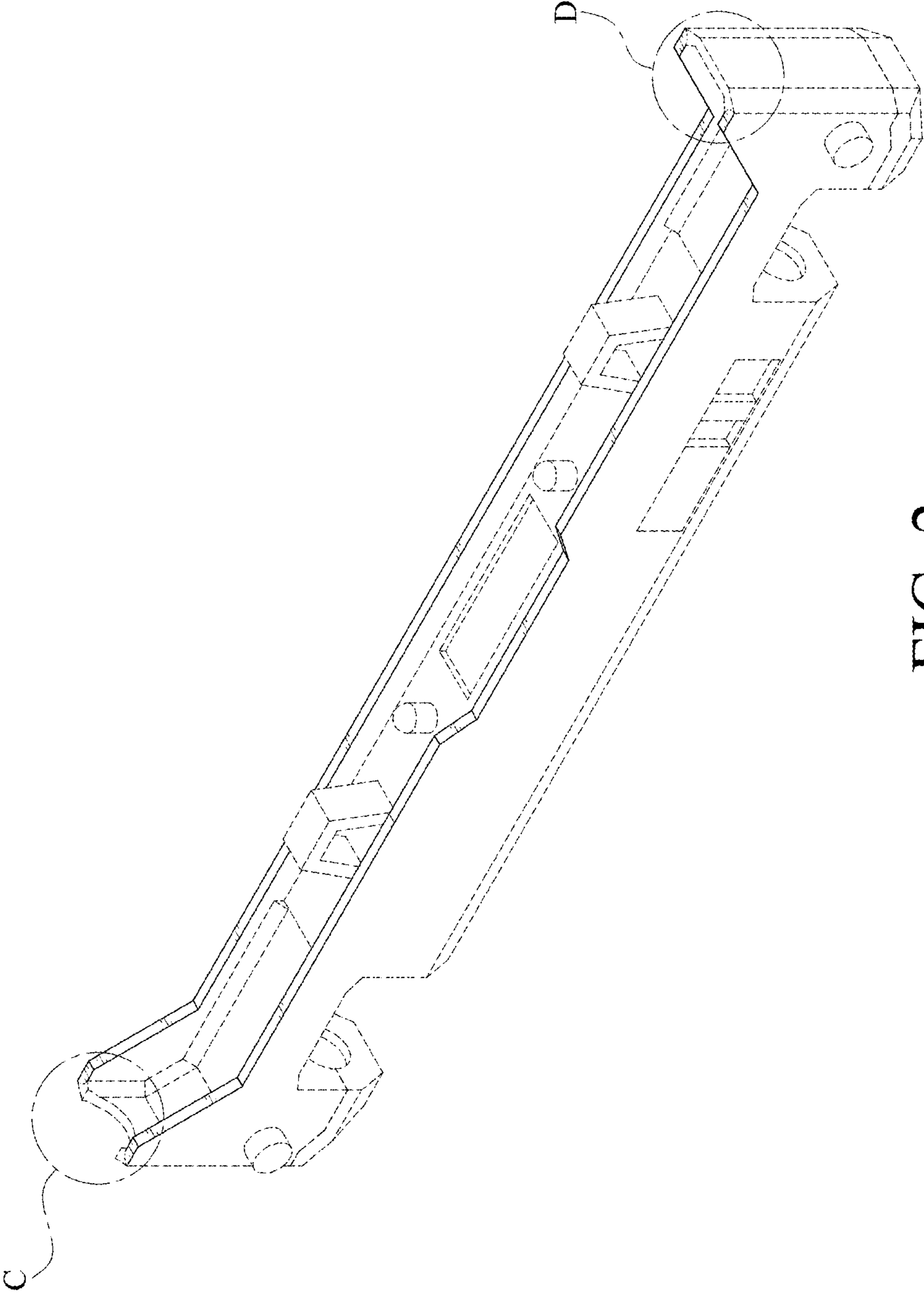


FIG. 2

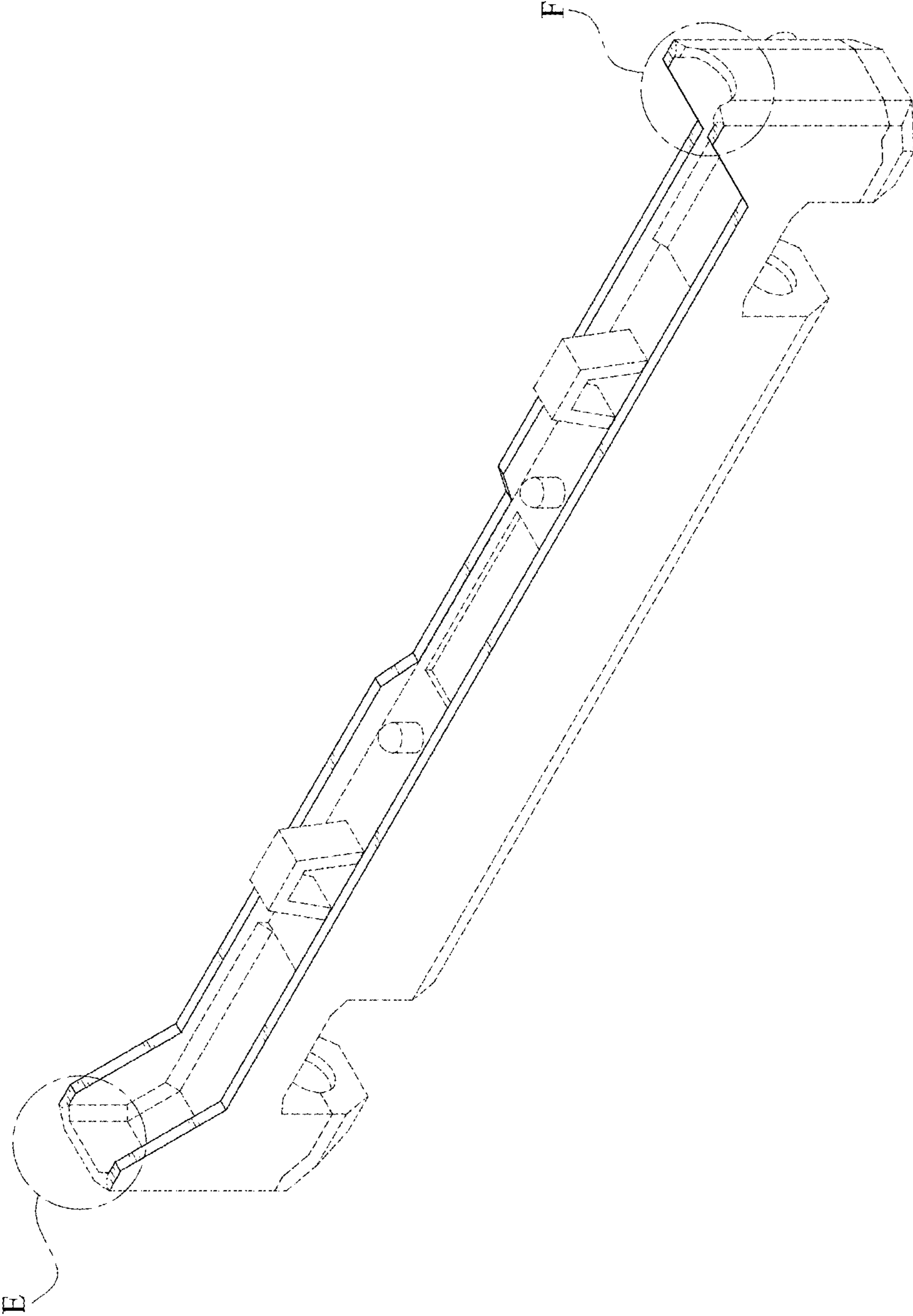


FIG. 3

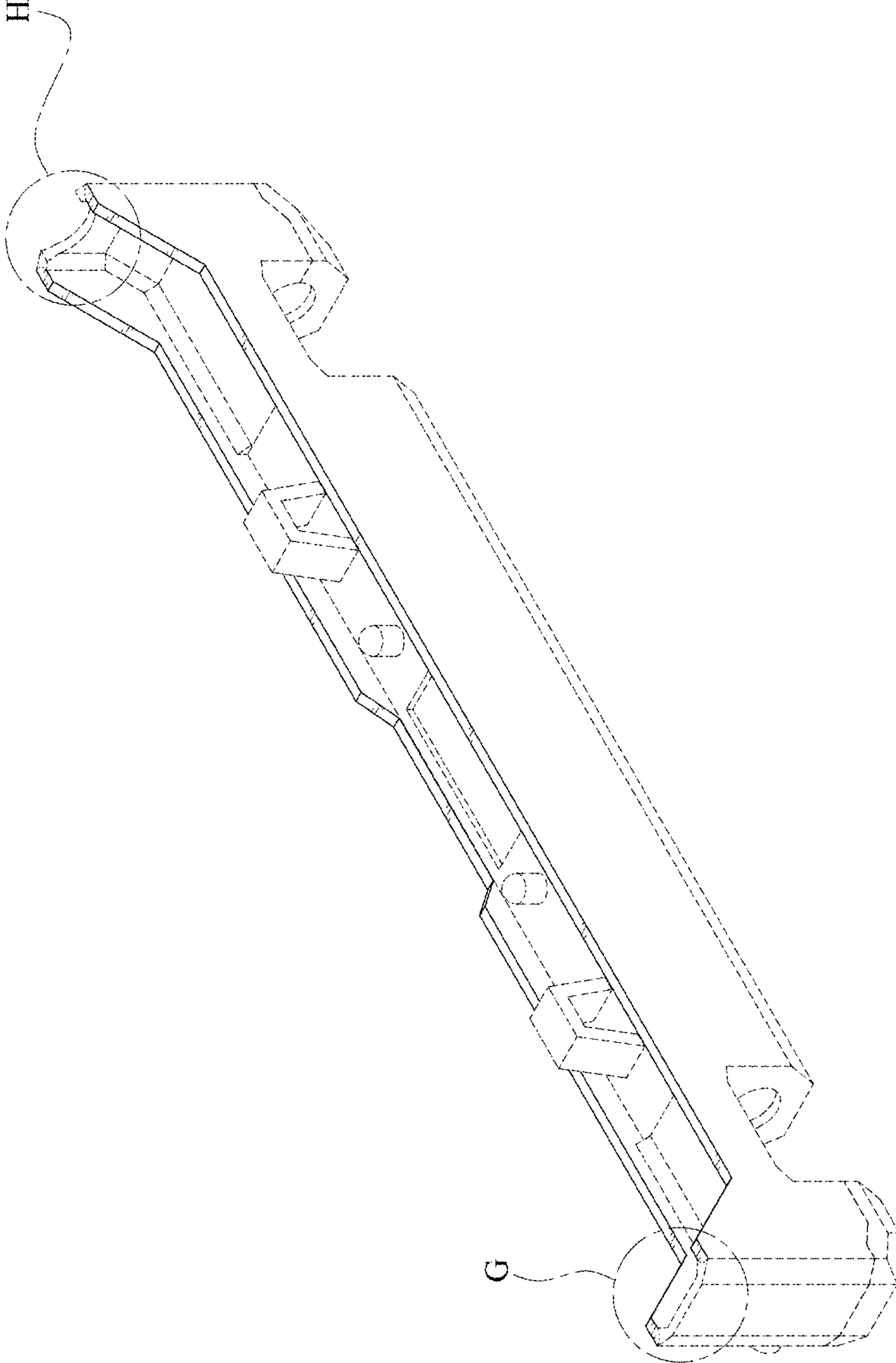


FIG. 4

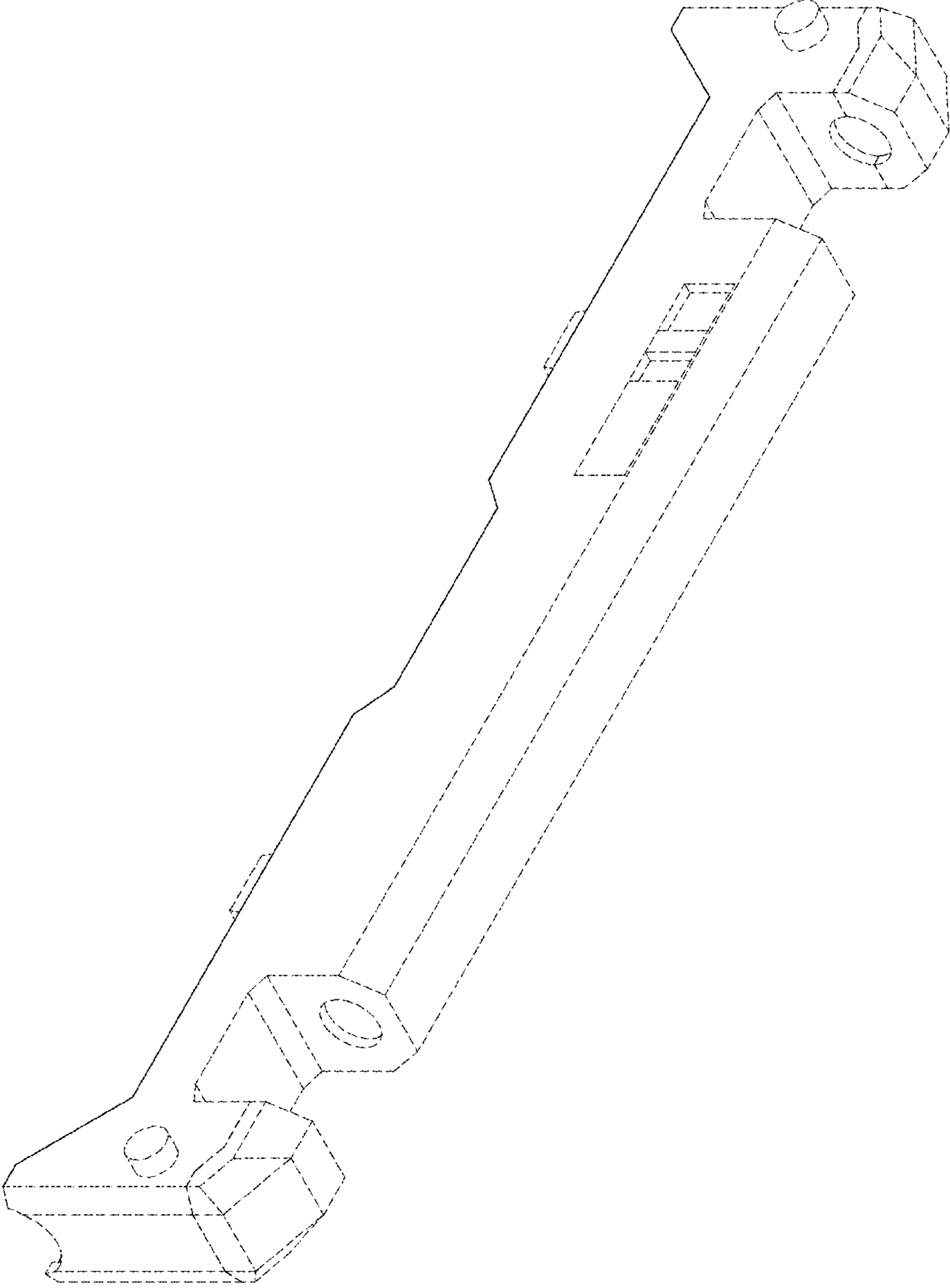


FIG. 5

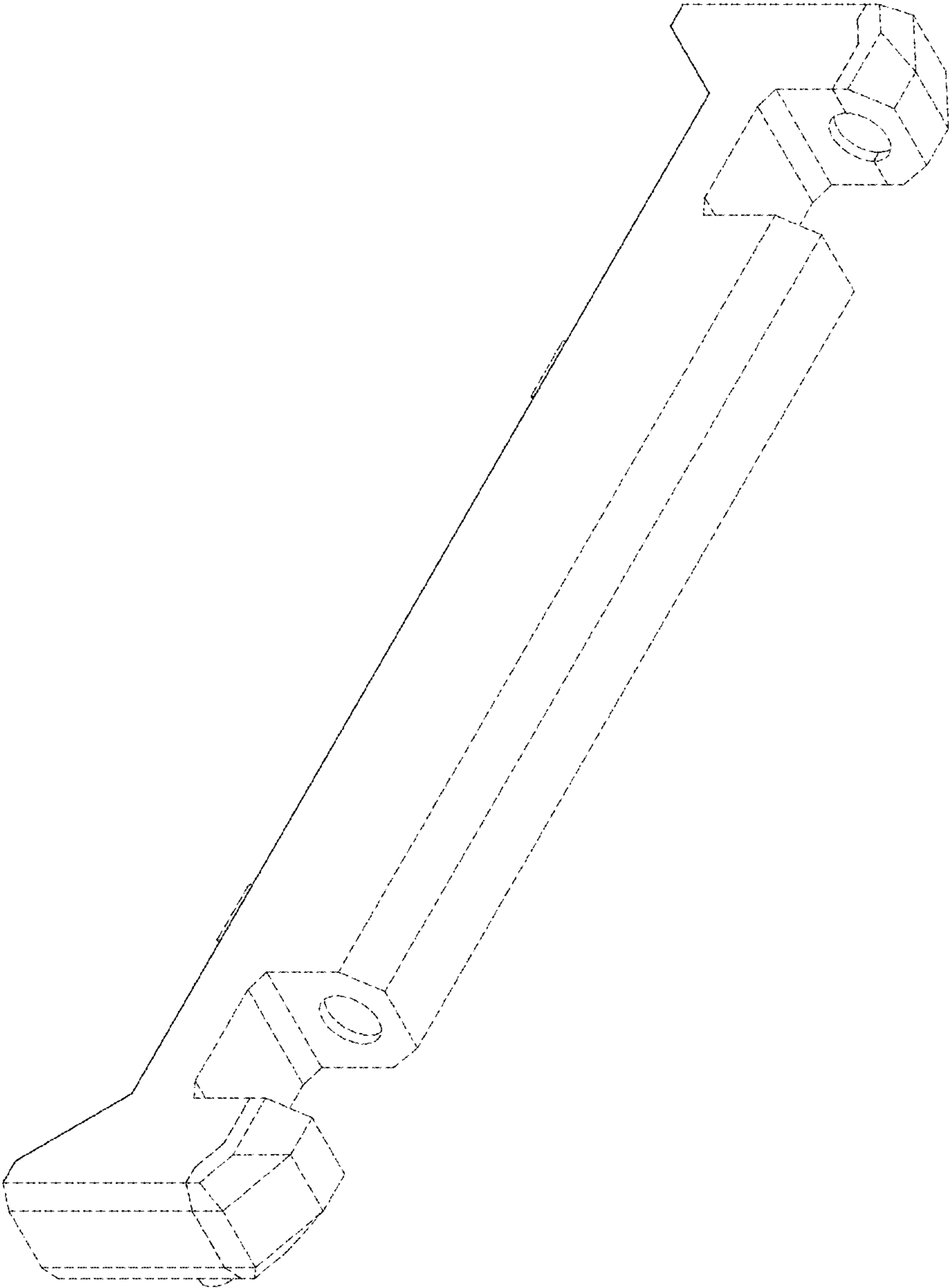


FIG. 6

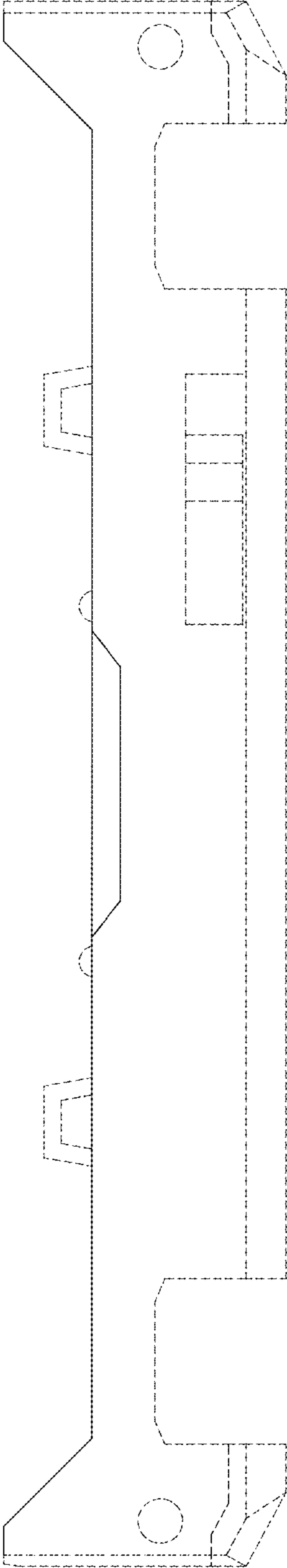


FIG. 7

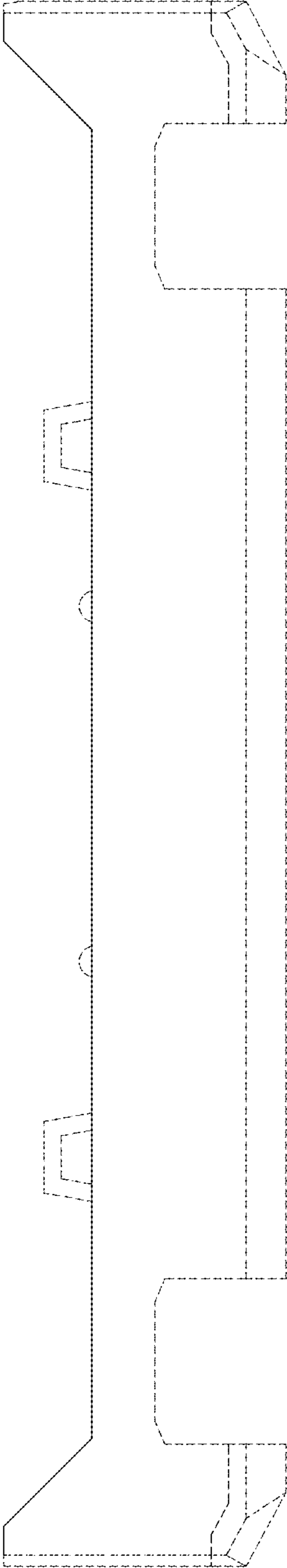


FIG. 8

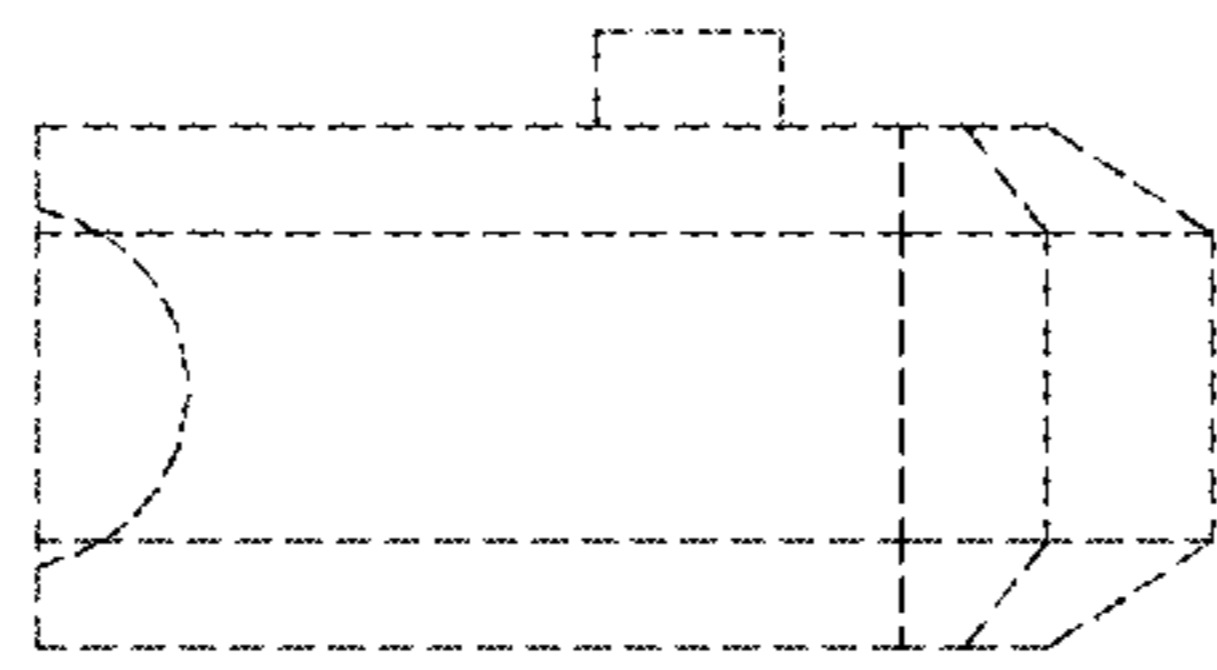


FIG. 9

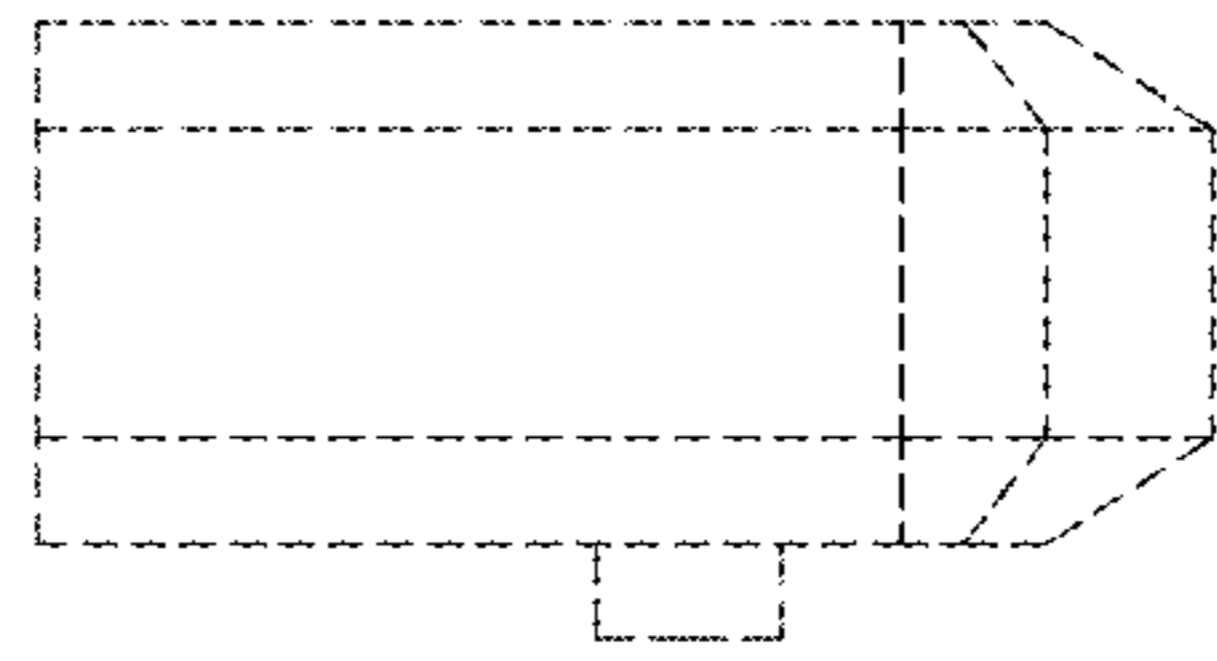


FIG. 10

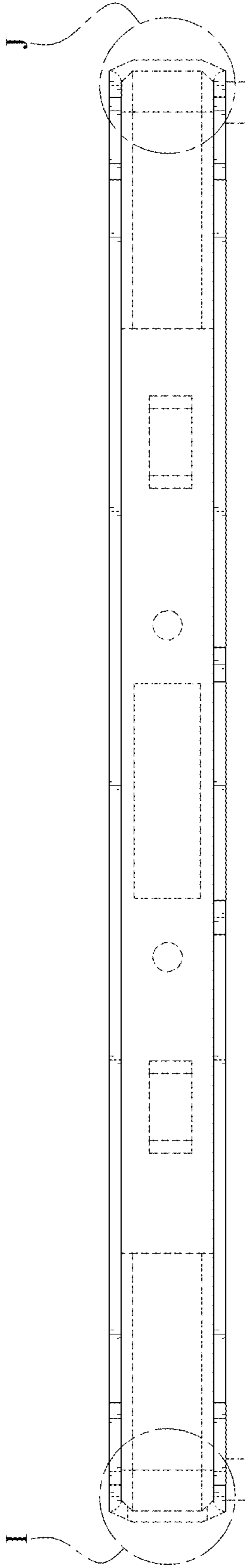


FIG. 11

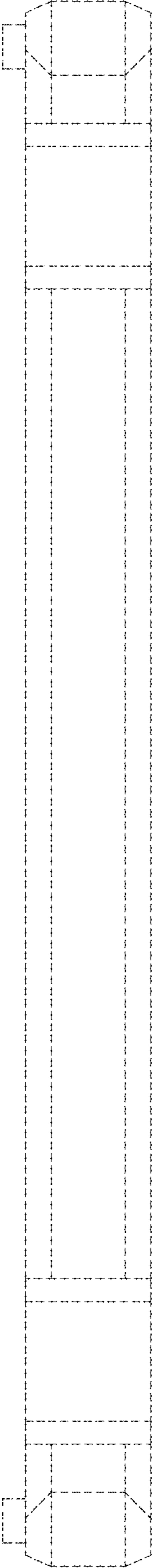


FIG. 12

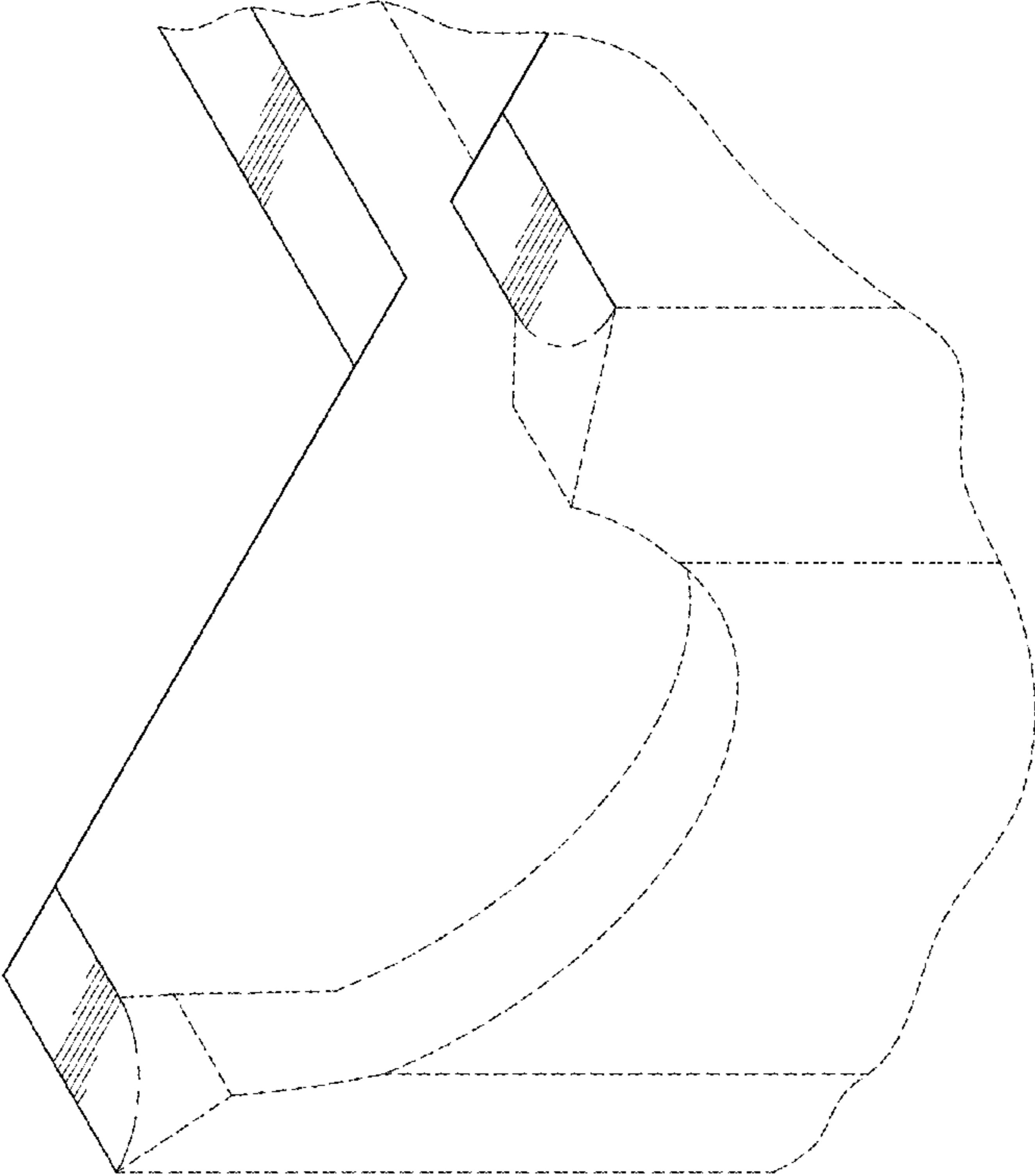


FIG. 13

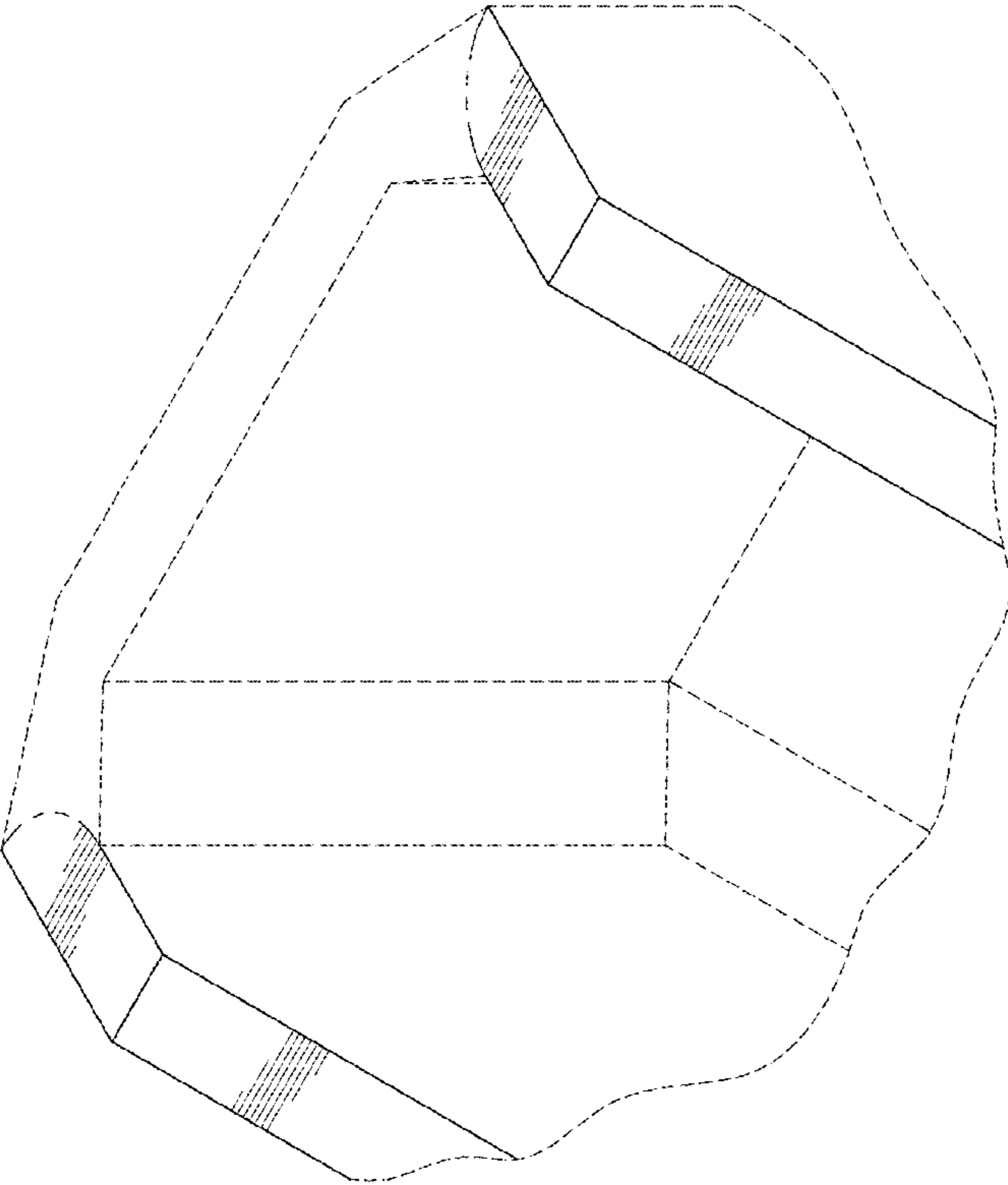


FIG. 14

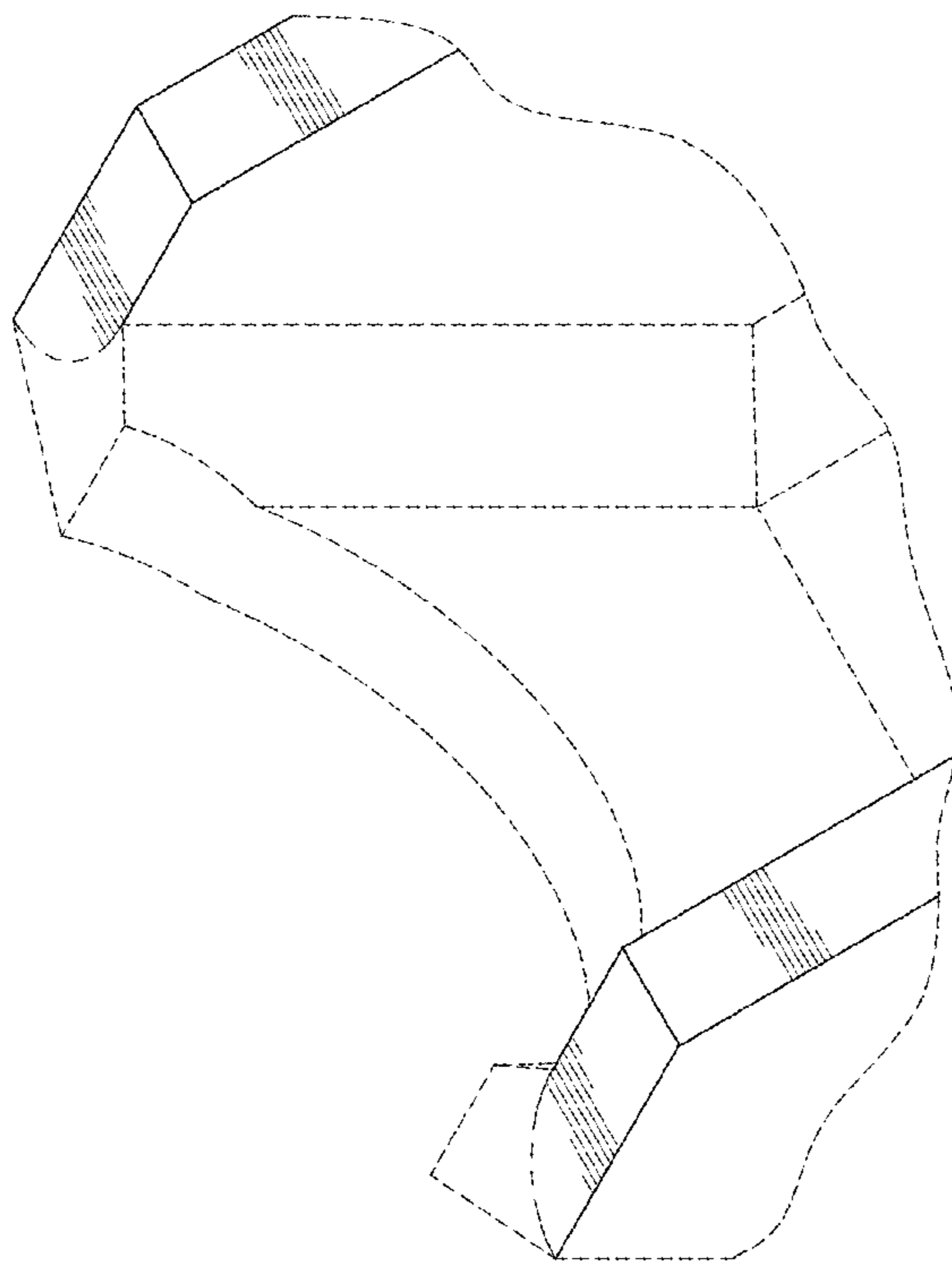


FIG. 15

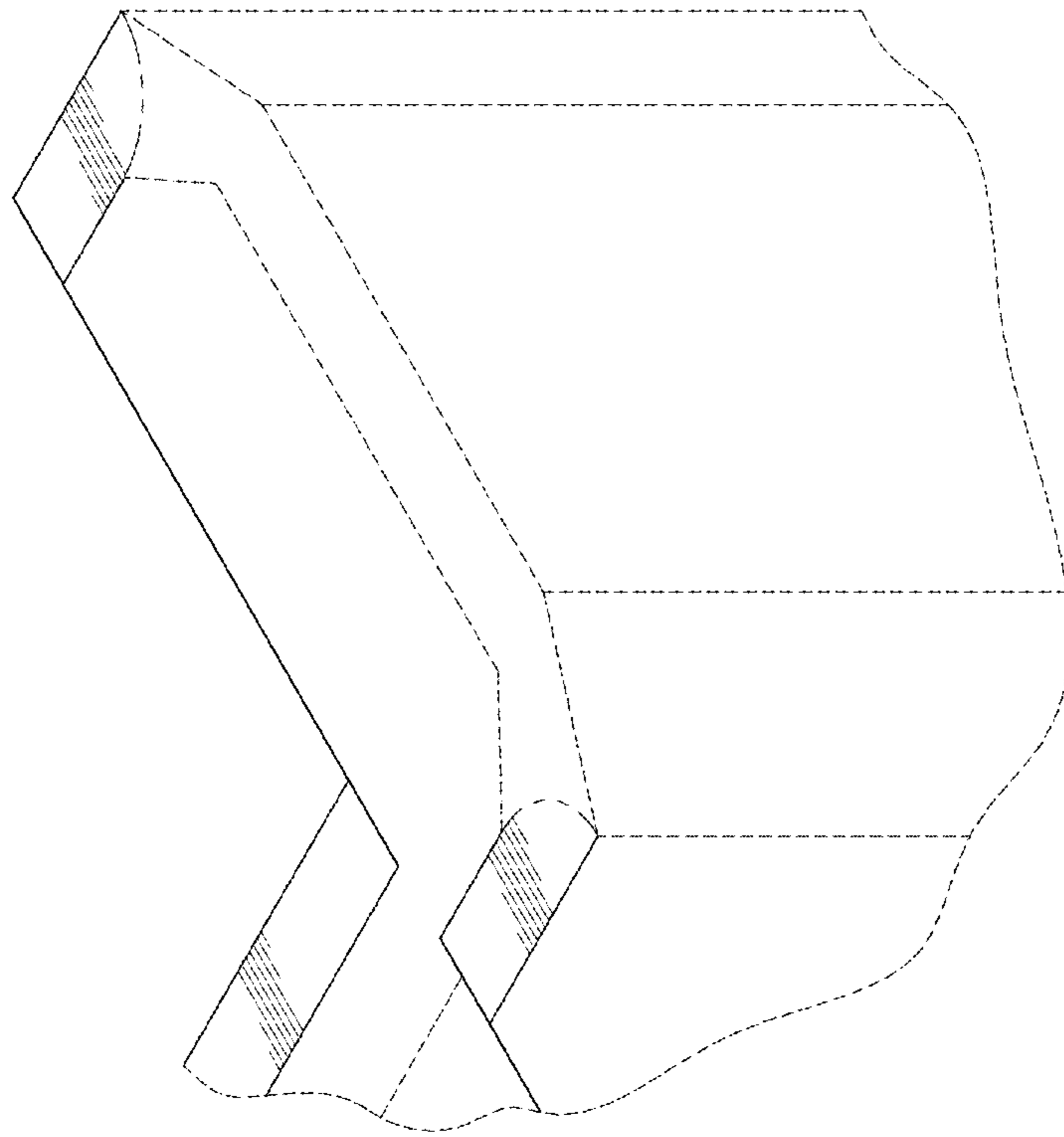


FIG. 16

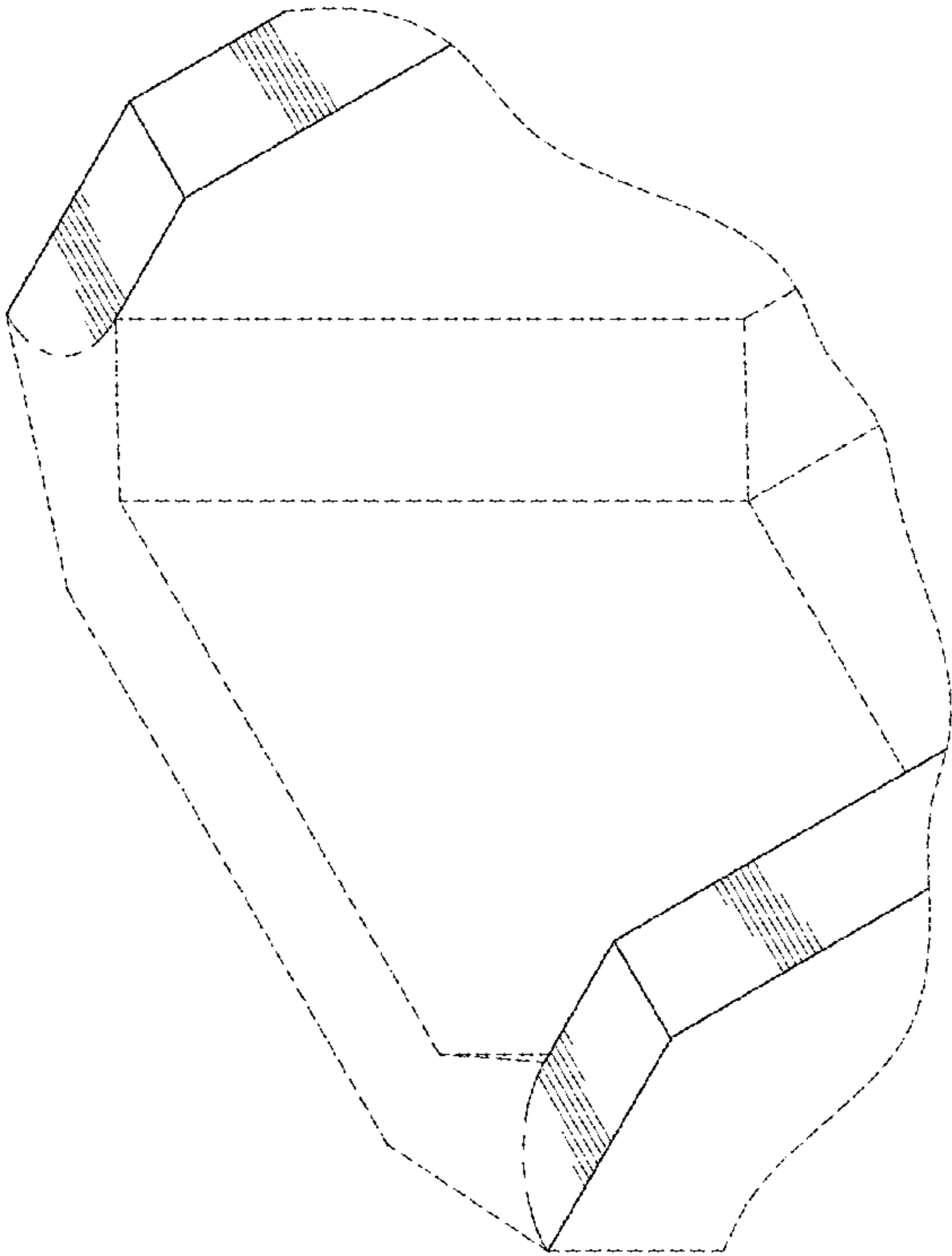


FIG. 17

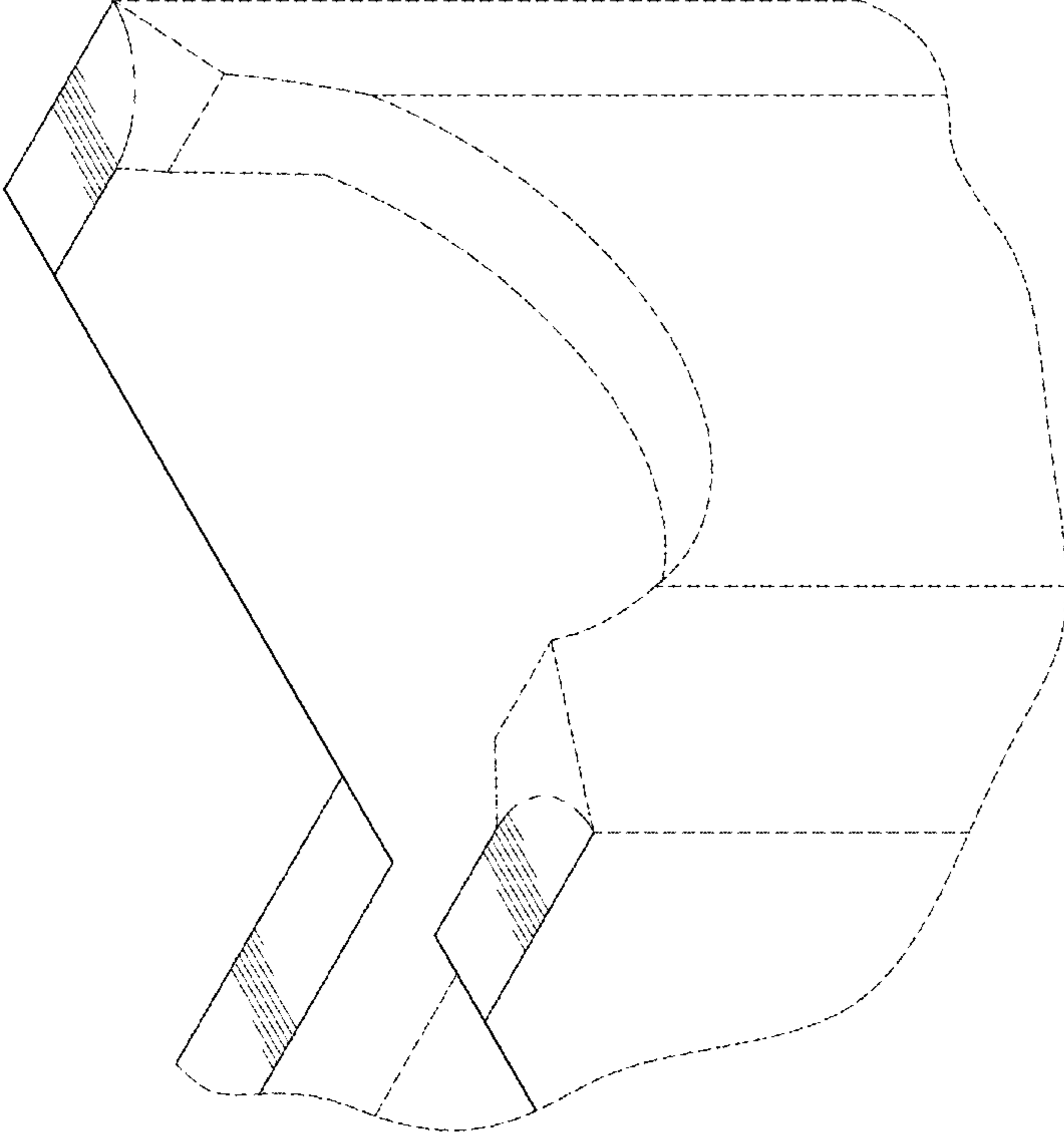


FIG. 18

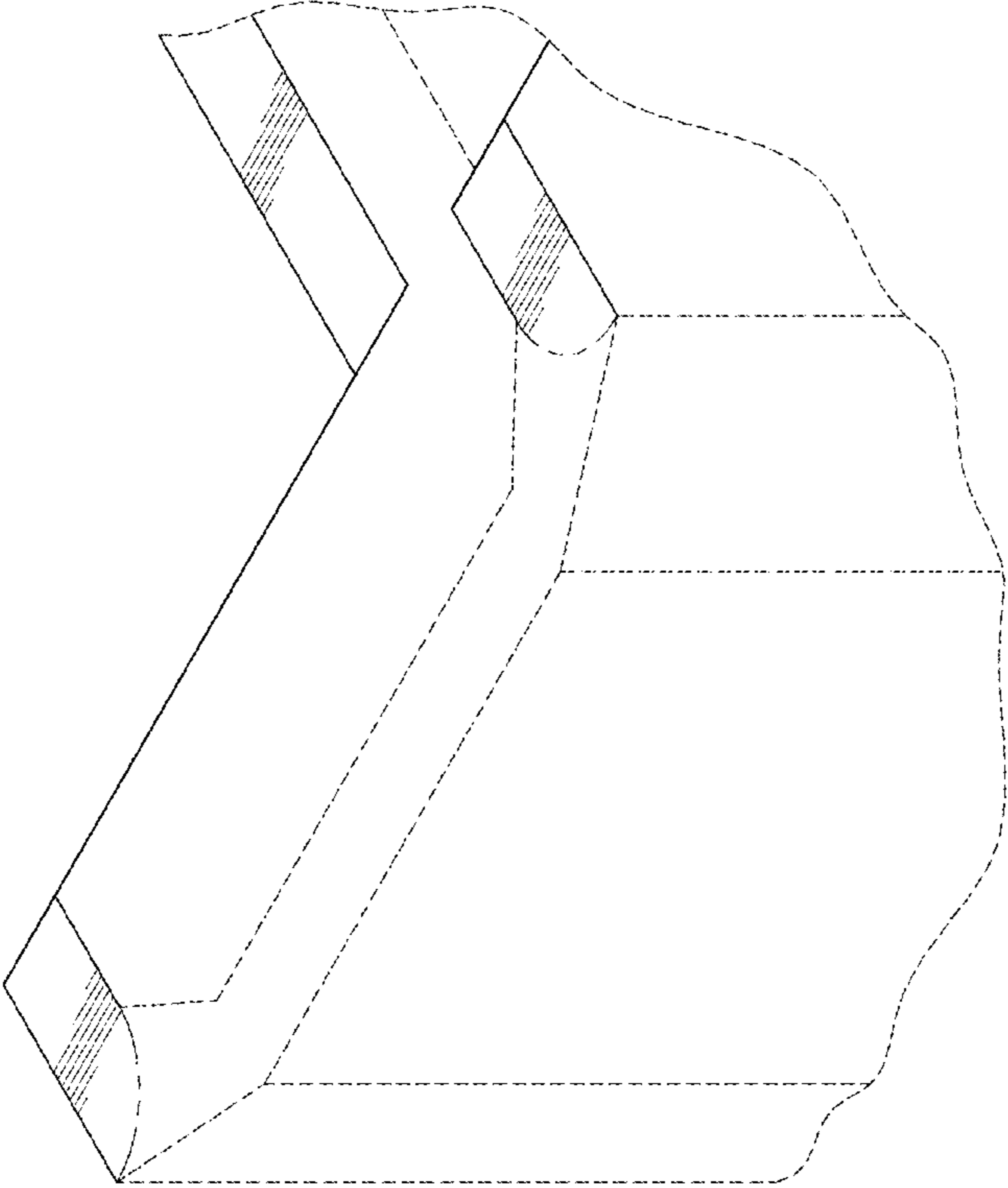


FIG. 19

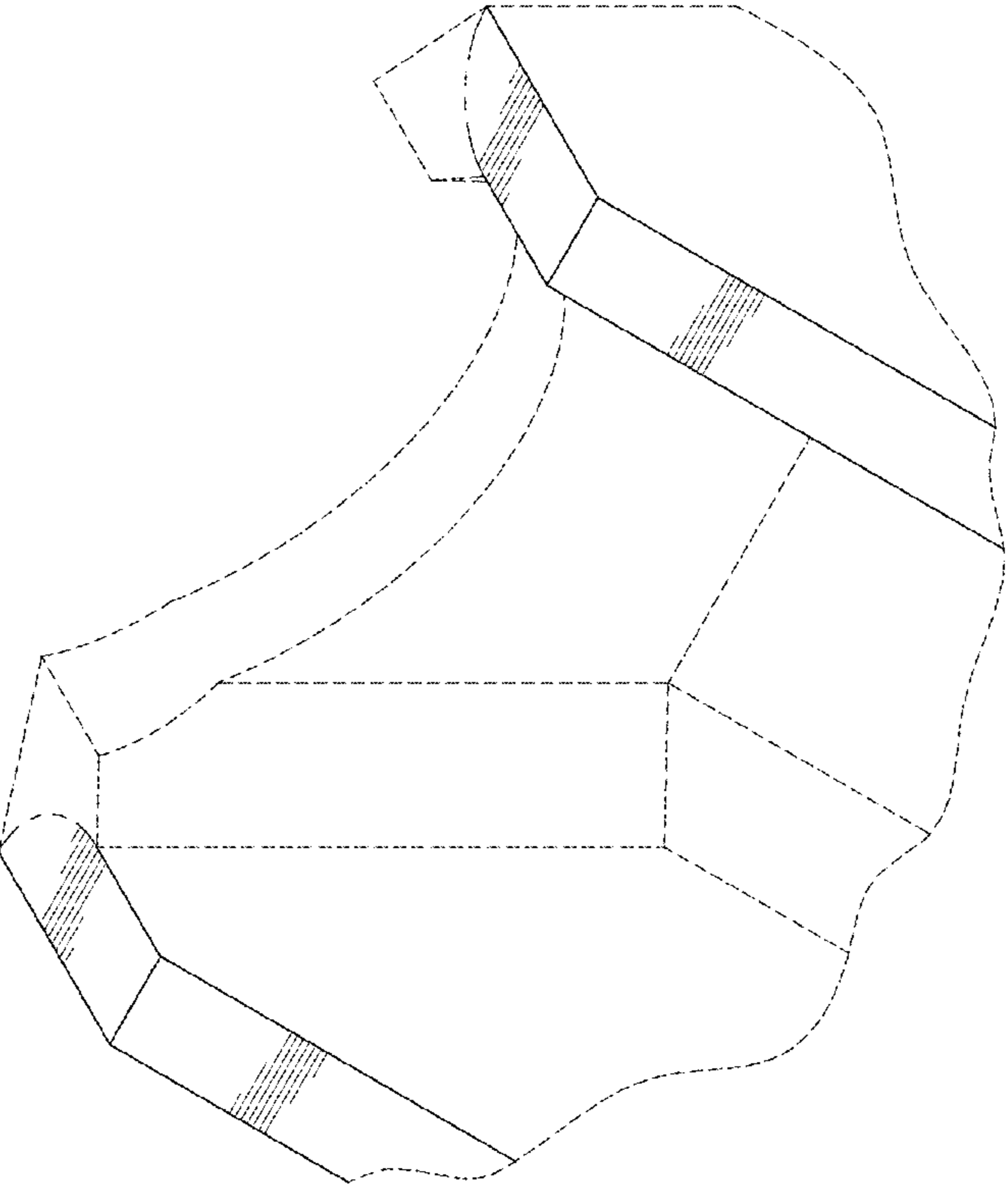


FIG. 20

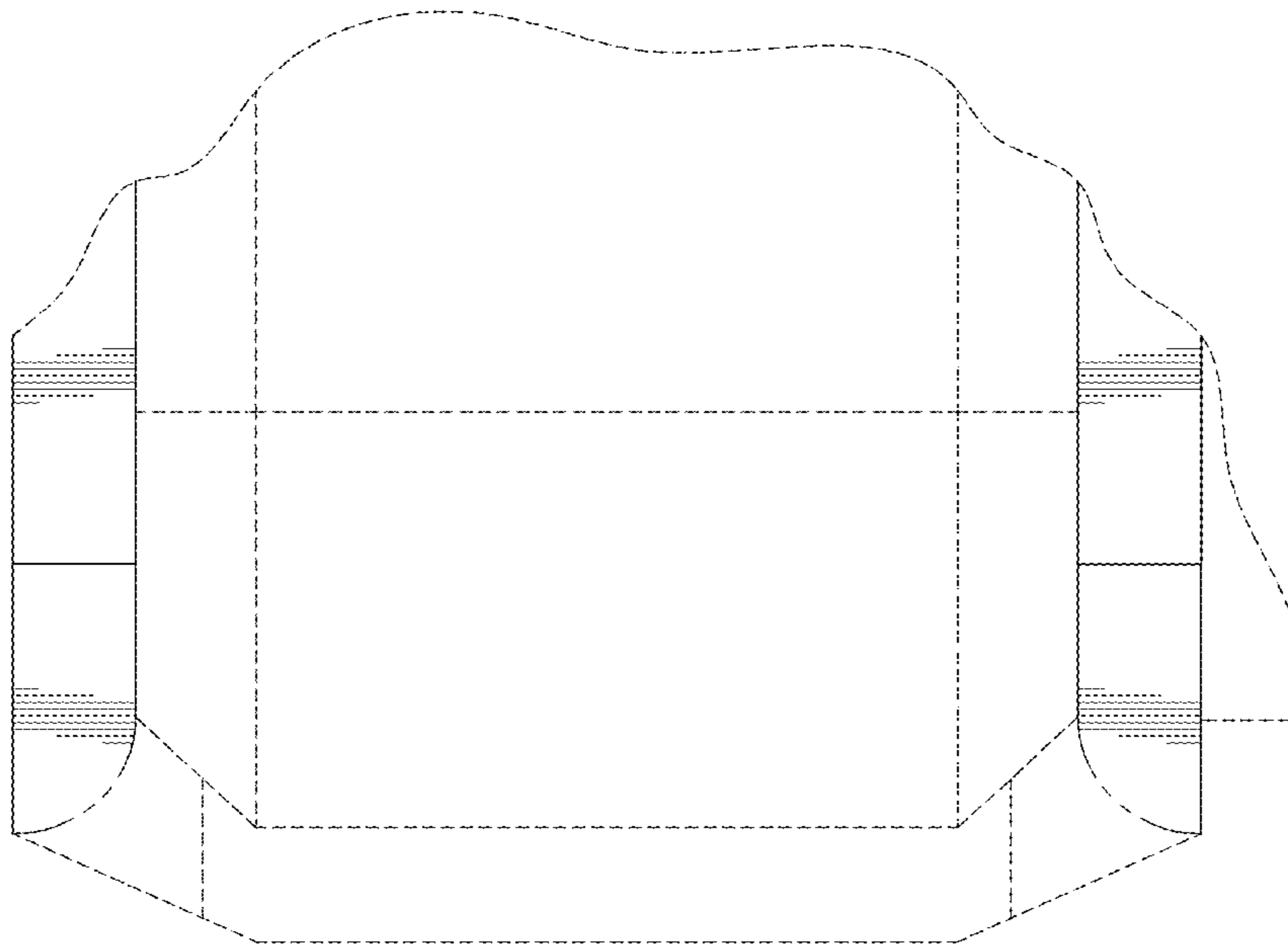


FIG. 21

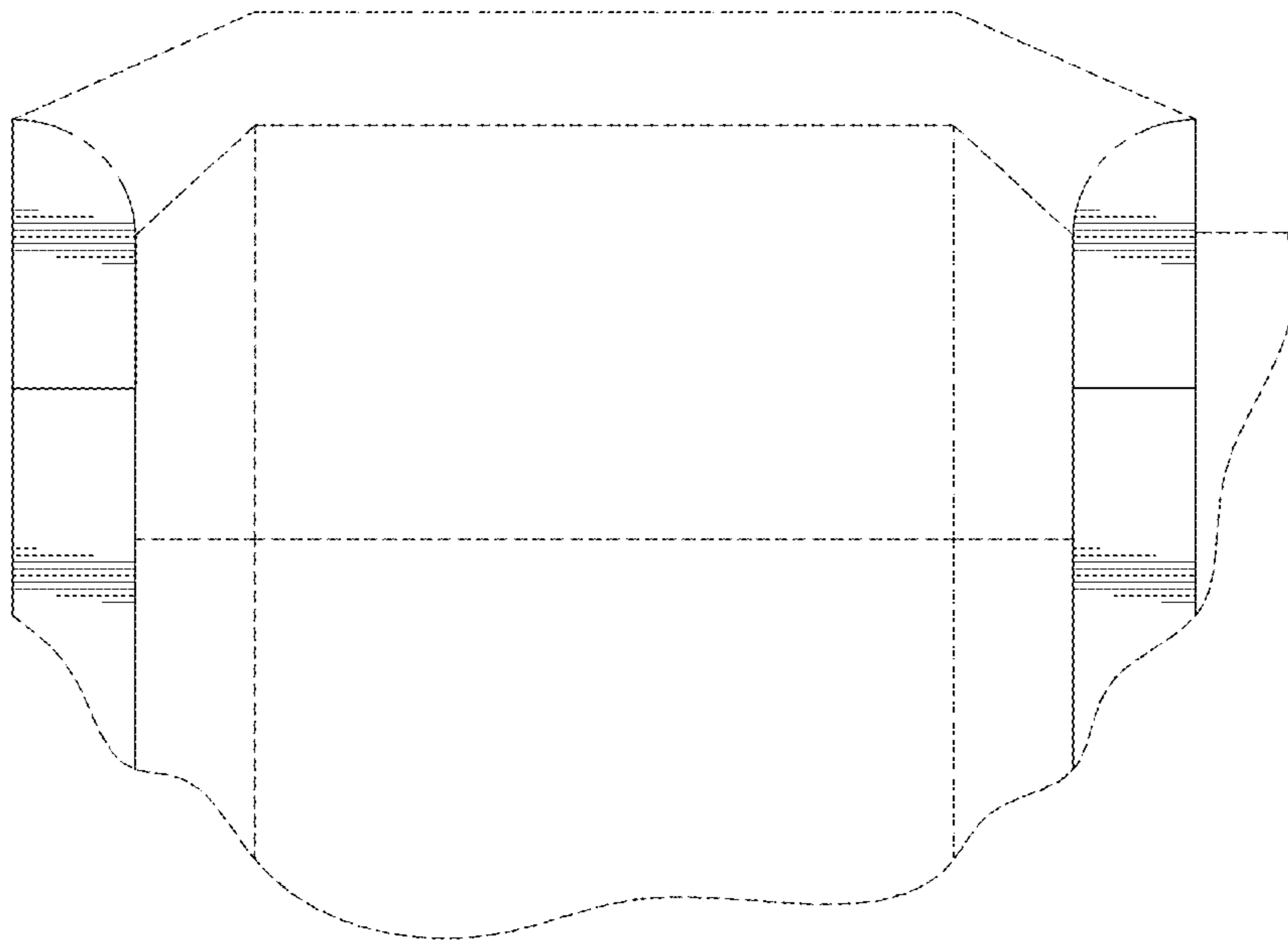


FIG. 22