



US00D900824S

(12) **United States Design Patent** (10) **Patent No.:** **US D900,824 S**  
**Wu** (45) **Date of Patent:** **\*\* Nov. 3, 2020**

(54) **USB HUB**

(71) Applicant: **Shihong Wu**, Guangxi (CN)

(72) Inventor: **Shihong Wu**, Guangxi (CN)

(73) Assignee: **DONGGUAN KINGTRON ELECTRONICS TECHNOLOGY CO., LTD**, Dongguan (CN)

(\*\*) Term: **15 Years**

(21) Appl. No.: **29/740,147**

(22) Filed: **Jul. 1, 2020**

(51) **LOC (12) Cl.** ..... **14-99**

(52) **U.S. Cl.**  
USPC ..... **D14/433**

(58) **Field of Classification Search**  
USPC ..... D14/240, 242, 356, 357, 358, 378, 383, D14/384, 385, 386, 433, 434, 435.1, D14/480.1, 480.3, 480.4, 480.5, 480.6, D14/480.7; D13/103, 107, 108, 110, 146, D13/139.6-139.8, 147, 184; D18/12, D18/12.1, 12.3

CPC .... H01R 27/02; H01R 25/003; H01R 25/006; H01R 31/005; H01R 13/60; H01R 13/6658; H01R 13/72; G06F 1/1607; G06F 1/1632; G06F 1/1684; G06F 1/266; G06F 11/325; G06F 13/00; G06F 13/12; G06F 13/14; G06F 13/20; G06F 13/382; G06F 13/4022; G06F 9/4413

See application file for complete search history.

(56) **References Cited**

U.S. PATENT DOCUMENTS

D847,139 S *	4/2019	Wang	.....	D14/433
D854,020 S *	7/2019	Liao	.....	D14/434
D863,310 S *	10/2019	Liao	.....	D14/433
D879,779 S *	3/2020	Liao	.....	D14/433
D880,479 S *	4/2020	Liao	.....	D14/433
D883,288 S *	5/2020	Zhan	.....	D14/433
D883,293 S *	5/2020	Zhang	.....	
D886,824 S *	6/2020	Zhan	.....	D14/433
D886,825 S *	6/2020	Zhang	.....	D14/433
D889,469 S *	7/2020	Zhang	.....	D14/433
D889,470 S *	7/2020	Zhang	.....	D14/433
D892,801 S *	8/2020	Liu	.....	D14/434
D893,488 S *	8/2020	Liu	.....	D14/433
D895,625 S *	9/2020	Turksu	.....	D14/433

\* cited by examiner

*Primary Examiner* — Austin Murphy

(74) *Attorney, Agent, or Firm* — Justin Lampel

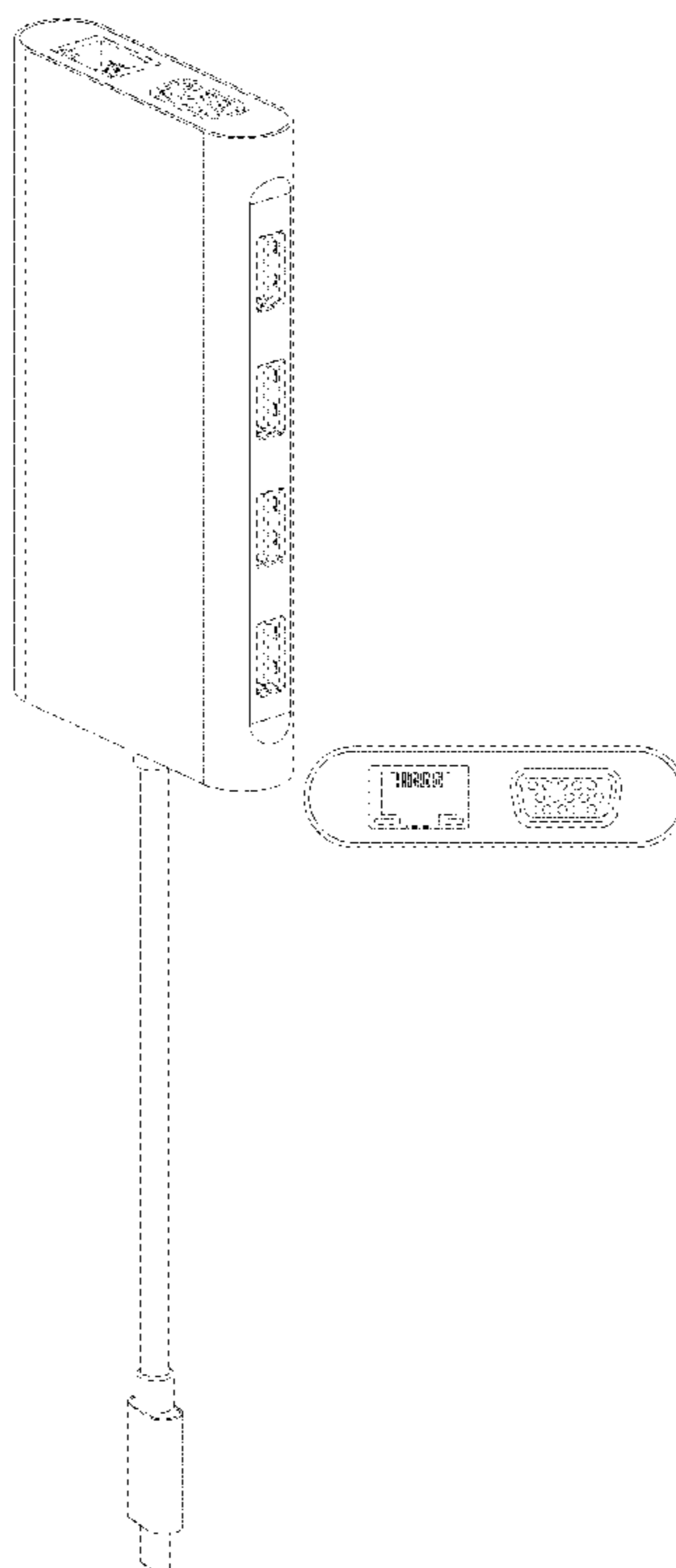
(57) **CLAIM**

The ornamental design for a USB hub, as shown and described.

**DESCRIPTION**

FIG. 1 is a perspective view of a USB hub, showing the claimed design;  
FIG. 2 is a top plan view thereof;  
FIG. 3 is a left side view thereof;  
FIG. 4 is a front elevational view thereof;  
FIG. 5 is a right side view thereof;  
FIG. 6 is a rear elevational view thereof; and,  
FIG. 7 is a bottom plan view thereof.

**1 Claim, 7 Drawing Sheets**



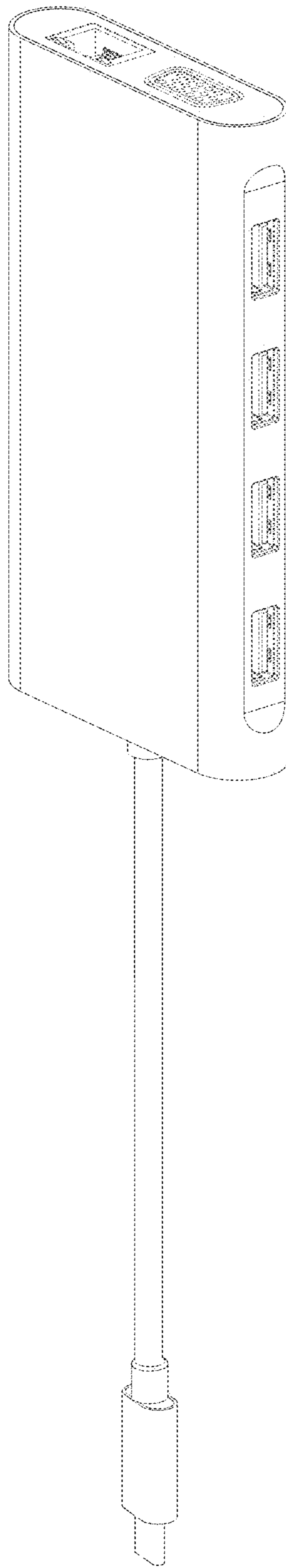


FIG. 1

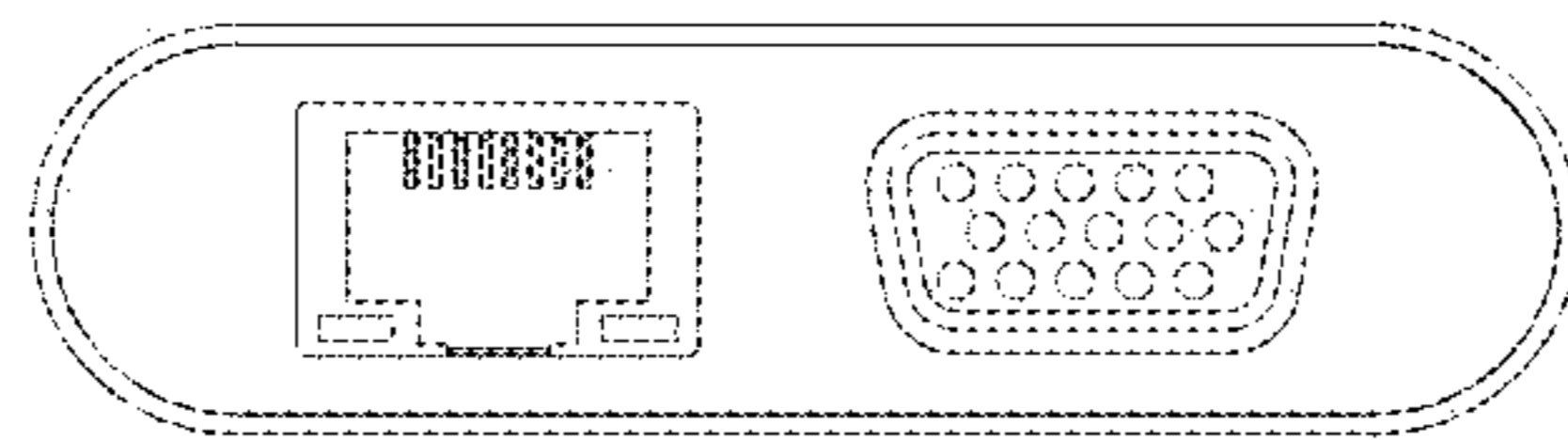


FIG. 2

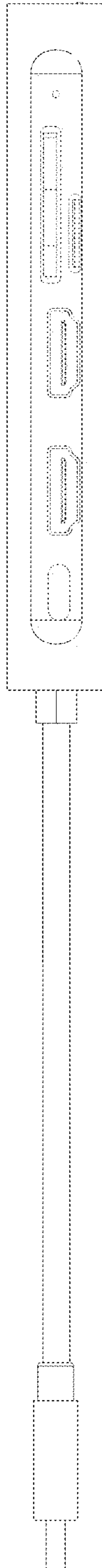


FIG.3

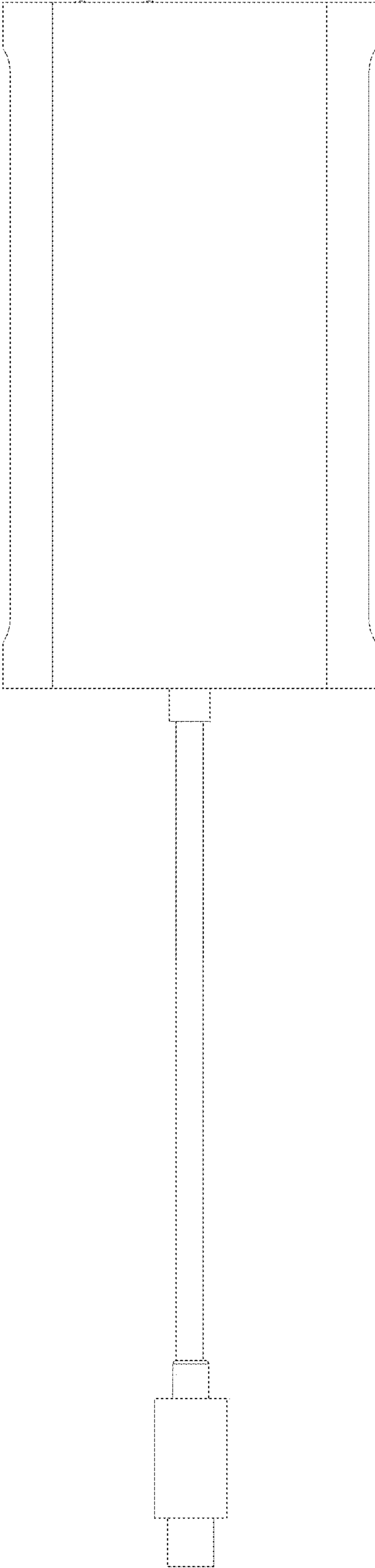


FIG.4

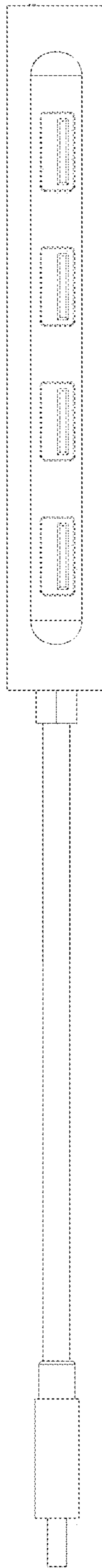


FIG.5

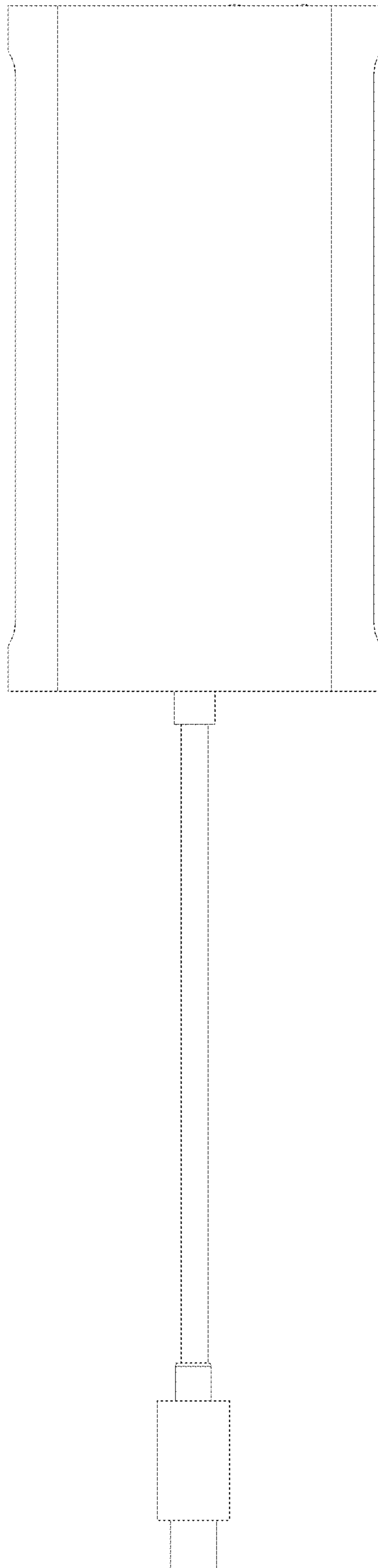


FIG. 6

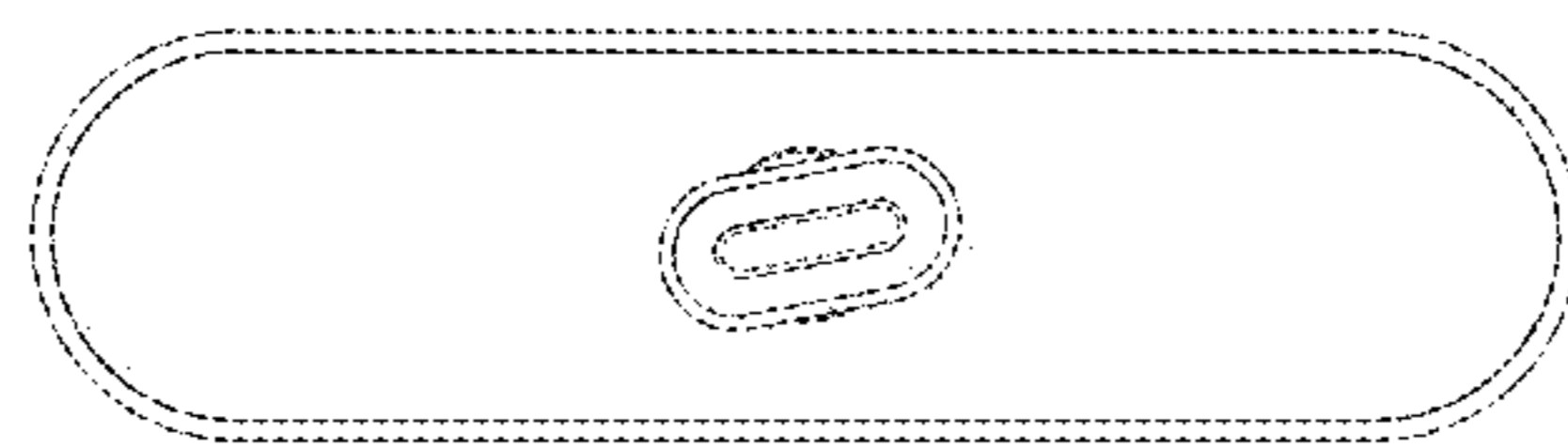


FIG. 7