



US00D900823S

(12) **United States Design Patent** (10) **Patent No.:** **US D900,823 S**
Winsor et al. (45) **Date of Patent:** **** Nov. 3, 2020**

(54) **OPHTHALMIC NEURAL SCANNER**

15/0142; G03G 15/605; G03G 15/602;
B65H 5/26; B65H 5/30; B65H 5/36;
B65H 7/00; B65H

(71) Applicant: **REBIScan, Inc.**, Boston, MA (US)

(Continued)

(72) Inventors: **Robert Winsor**, Round Hill, VA (US);
Jeffrey Mortensen, Sanford, FL (US);
Justin Shaka, Boston, MA (US);
Jennifer Linnane, Salem, MA (US)

(56) **References Cited**

U.S. PATENT DOCUMENTS

(73) Assignee: **REBISCAN, INC.**, Boston, MA (US)

D224,792 S * 9/1972 Knox, Jr. D30/118
4,045,130 A * 8/1977 Krahn A61B 3/024
351/226

(**) Term: **15 Years**

(Continued)

(21) Appl. No.: **29/640,805**

Primary Examiner — Susan Moon Lee

(22) Filed: **Mar. 16, 2018**

(74) *Attorney, Agent, or Firm* — Amardeep S. Grewal;
Reed Smith LLP

(51) **LOC (12) Cl.** **14-02**

(52) **U.S. Cl.**

(57) **CLAIM**

USPC **D14/420**; D24/172; D24/158; D24/160

We claim the ornamental design for an ophthalmic neural scanner, as shown and described.

(58) **Field of Classification Search**

DESCRIPTION

USPC D14/420–425, 384, 385; D18/55, 49, 46,
D18/40, 36–39, 41, 44, 45, 47, 48, 50–54,
D18/56; 235/462, 455, 470, 462.43, 482,
235/483, 380, 382, 384; 358/474, 486,
358/488, 496–498, 452, 449, 451, 453,
358/1.13; 318/685, 696; 355/81, 75;
399/405, 367, 379, 380; 382/217;
715/209, 222, 226, 274; 400/613,
400/613.1–613.4, 690.1–690.4, 691–694;
D24/172, 160, 158, 107, 216, 217, 231,
D24/232, 186, 219; 396/18

CPC H04N 1/00; H04N 1/12; H04N 1/00013;
H04N 1/00015; H04N 1/00018; H04N
1/00026; H04N 1/00557; H04N 1/00564;
H04N 1/00567; H04N 1/0057; H04N
1/00572; H04N 1/00586; H04N 1/00588;
H04N 1/00591; H04N 1/00594; H04N
1/00596; H04N 1/00604; H04N 1/00519;
H04N 1/00559; H04N 1/1013; H04N
1/10; H04N 1/00551; H04N 1/00278;
H04N 2201/0456; H04N 2201/0446;
H04N 2201/00; H04N 2201/0094; G03G

FIG. 1 is a perspective view of an ophthalmic neural scanner showing our new design.

FIG. 2 is a front elevational view of the ophthalmic neural scanner.

FIG. 3 is a rear elevational view of the ophthalmic neural scanner.

FIG. 4 is a right side elevational view of the ophthalmic neural scanner.

FIG. 5 is a left side elevational view of the ophthalmic neural scanner.

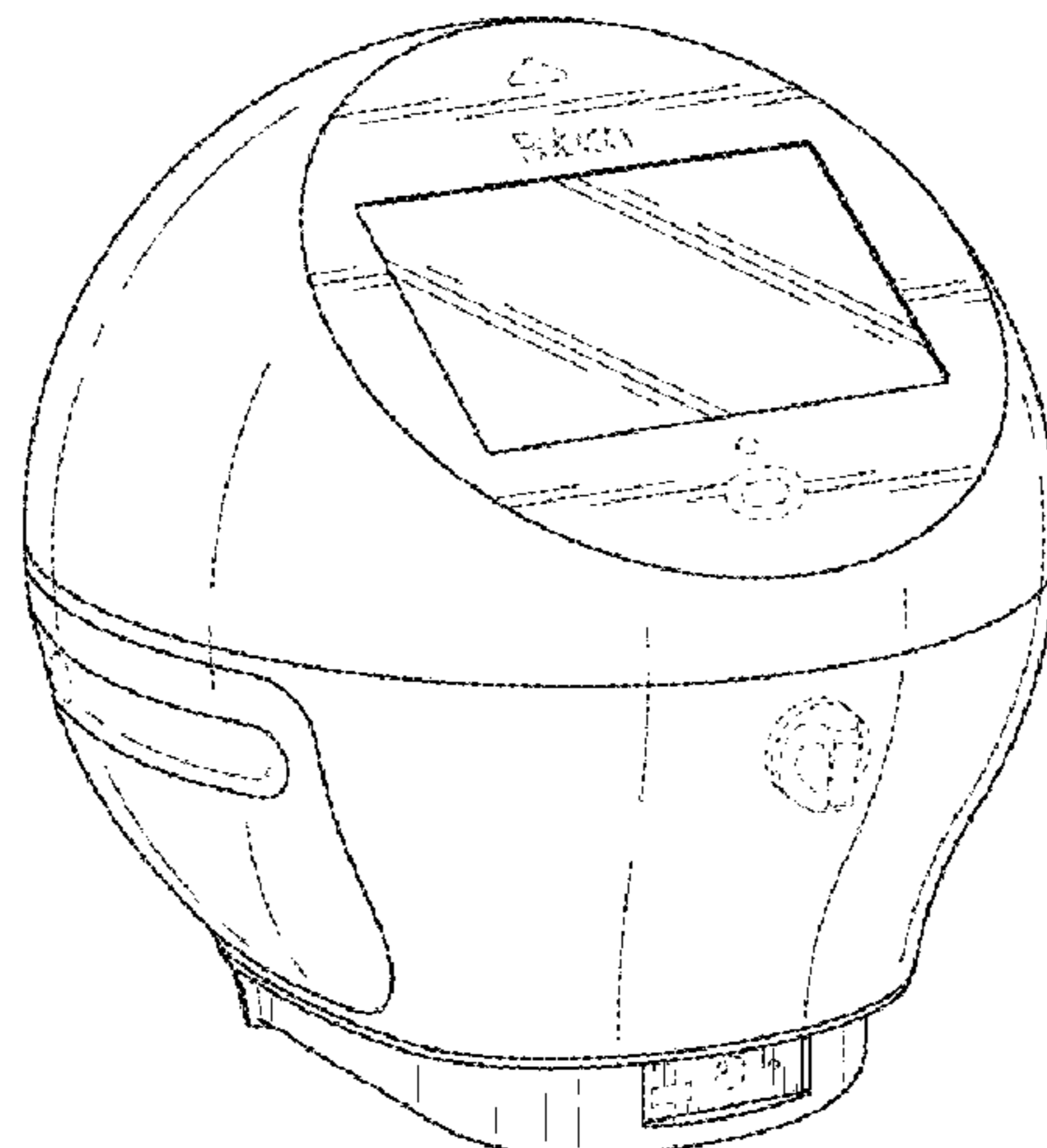
FIG. 6 is another perspective view of the ophthalmic neural scanner.

FIG. 7 is a top plan view of the ophthalmic neural scanner; and,

FIG. 8 is a bottom plan view of the ophthalmic neural scanner.

The broken lines in the Figures show portions of the ophthalmic neural scanner that form no part of the claimed

(Continued)



design. Any surface shading is used solely to show the character or contour of the surfaces represented.

1 Claim, 8 Drawing Sheets

(58) Field of Classification Search

CPC 2402/515; B65H 2402/31; B65H 2511/20;
 B65H 2511/414; B65H 2513/42; B65H
 2801/39; B65H 2801/31; B65H
 2215/00189; B65H 2215/00194; B65H
 2215/00198; B65H 2215/00202; B65H
 2215/00206; B65H 2215/20; B65H
 2301/00; B65H 2220/04; B65H 3/5261;
 A61B 3/107; A61B 3/14; A61B 3/165;
 A61B 3/103; A61B 3/18; A61B 3/024;
 A61B 3/0025; A61B 3/0083; A61B
 3/102; A61B 3/13

See application file for complete search history.

(56) References Cited

U.S. PATENT DOCUMENTS

4,063,807 A * 12/1977 Gelius A61B 3/024
 351/226

D252,410 S *	7/1979	Graser	D99/28
4,174,594 A *	11/1979	Panzini	E04H 1/1222 52/65
D379,375 S *	5/1997	Bowman	D20/10
D408,915 S *	4/1999	Ogiwara	D24/158
7,034,535 B2 *	4/2006	Yamagata	A61B 5/0555 324/309
D540,291 S *	4/2007	Heath	D14/137
D564,663 S *	3/2008	Udagawa	D24/158
D590,506 S *	4/2009	Krishnan	D24/186
D590,507 S *	4/2009	Krishnan	D24/186
7,764,303 B2 *	7/2010	Pote	A61B 5/0059 348/211.3
D709,199 S *	7/2014	Kambe	D24/172
D814,040 S *	3/2018	Katz	D24/172
D819,214 S *	5/2018	Katz	D24/172
D882,094 S *	4/2020	Katz	A61B 3/107 D24/172
2012/0224144 A1 *	9/2012	Takimoto	A61B 3/024 351/224
2015/0062878 A1 *	3/2015	Danson	G09F 13/04 362/145

* cited by examiner

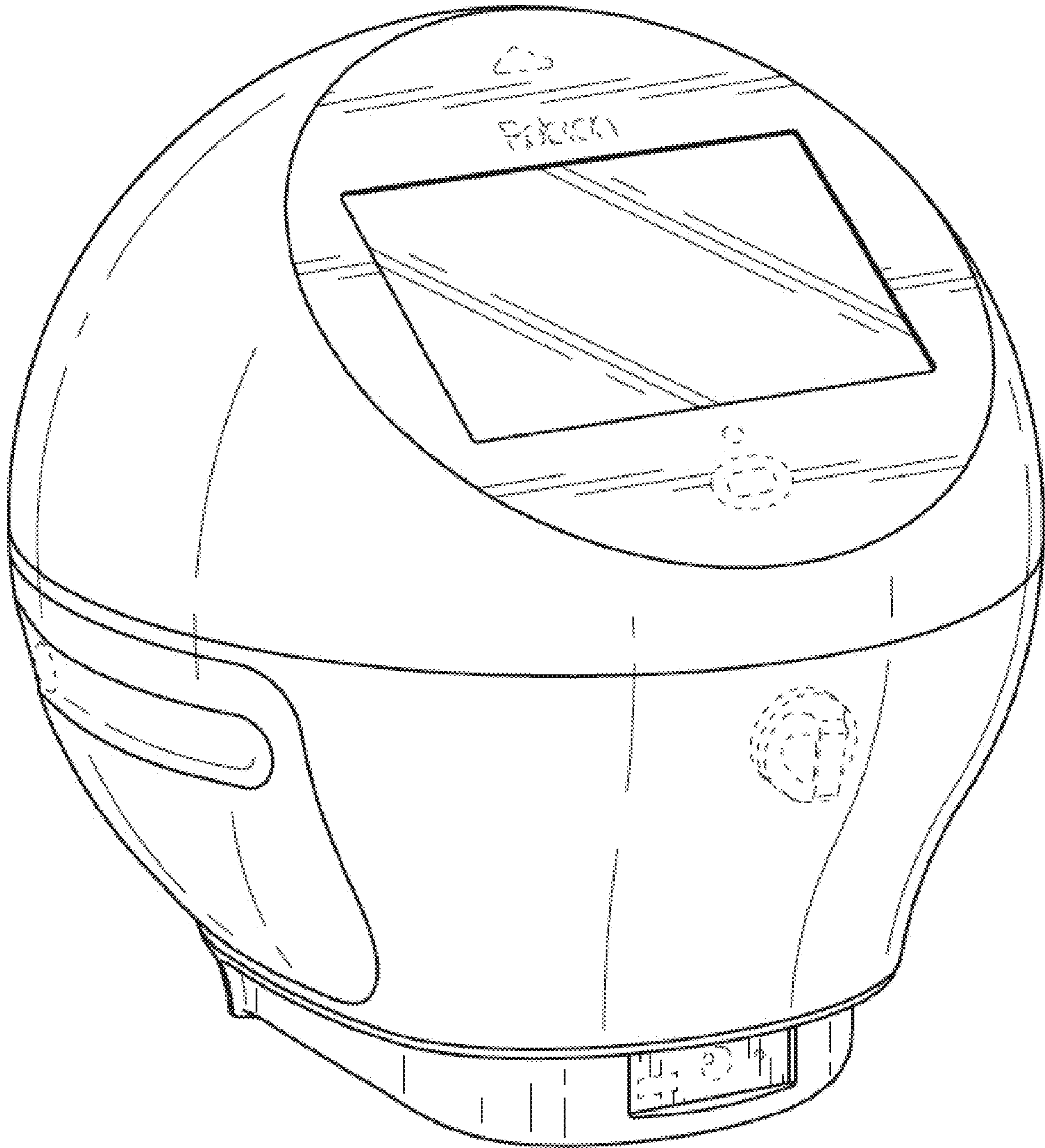


FIG. 1

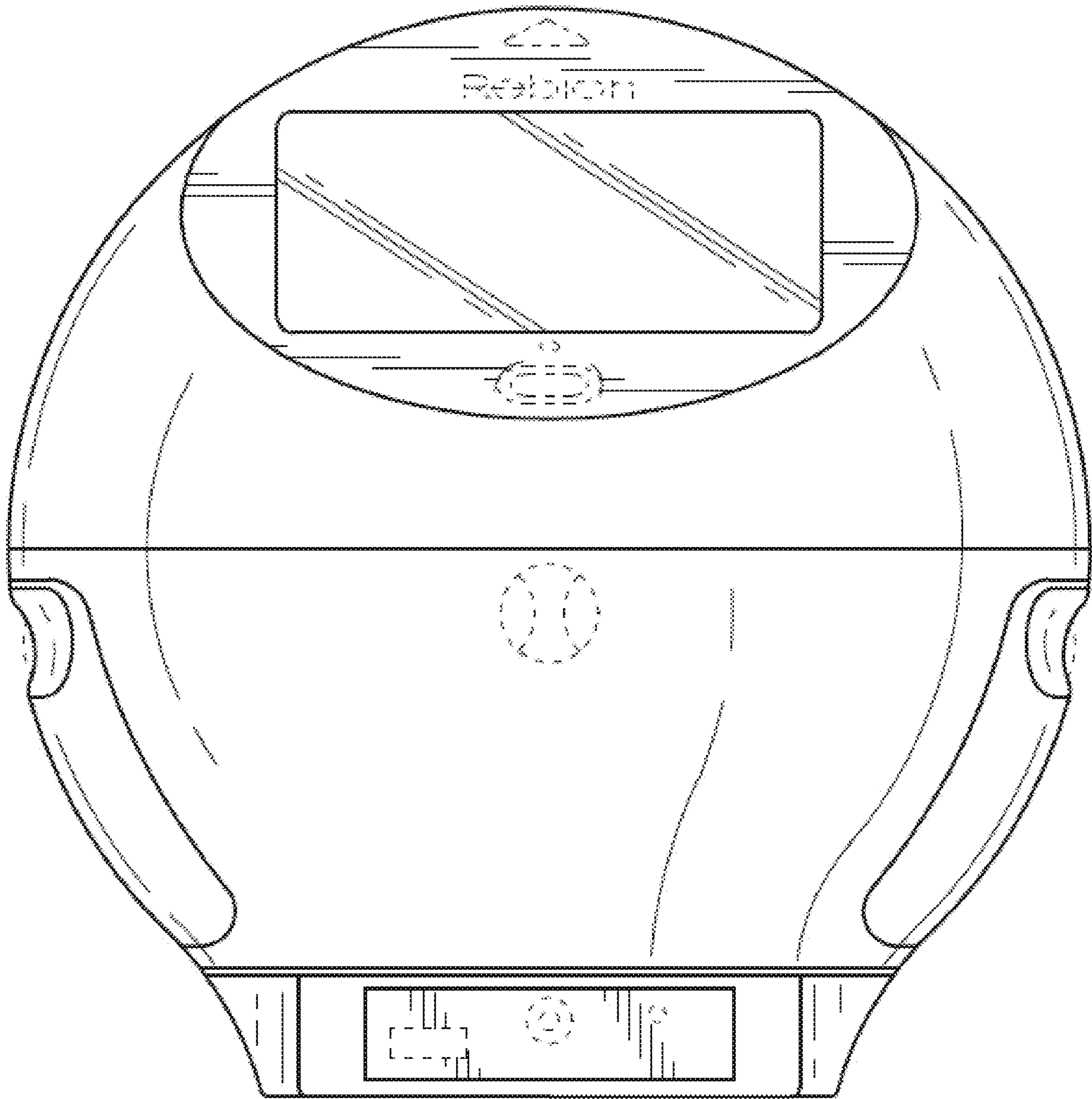


FIG. 2

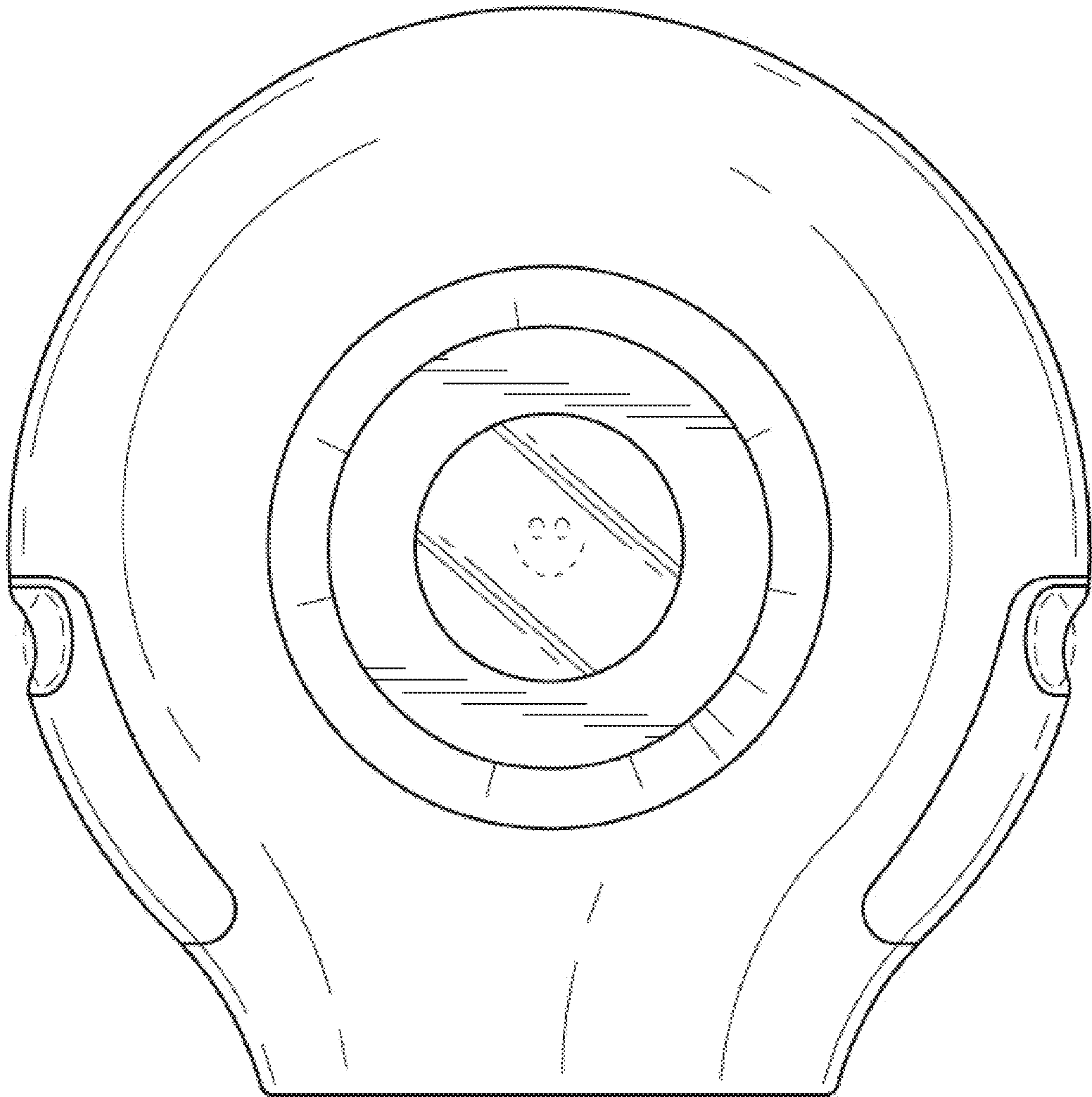


FIG. 3

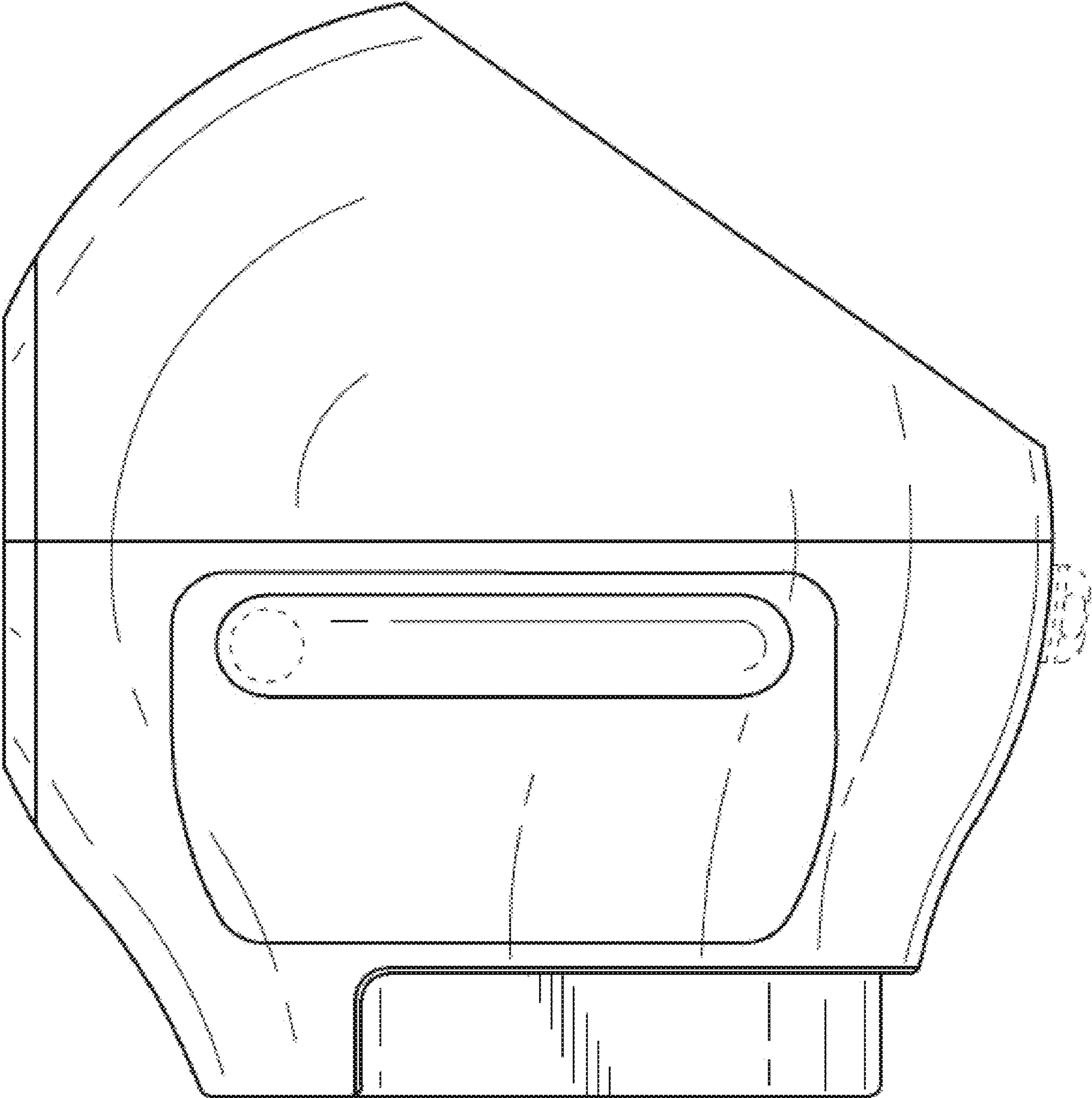


FIG. 4

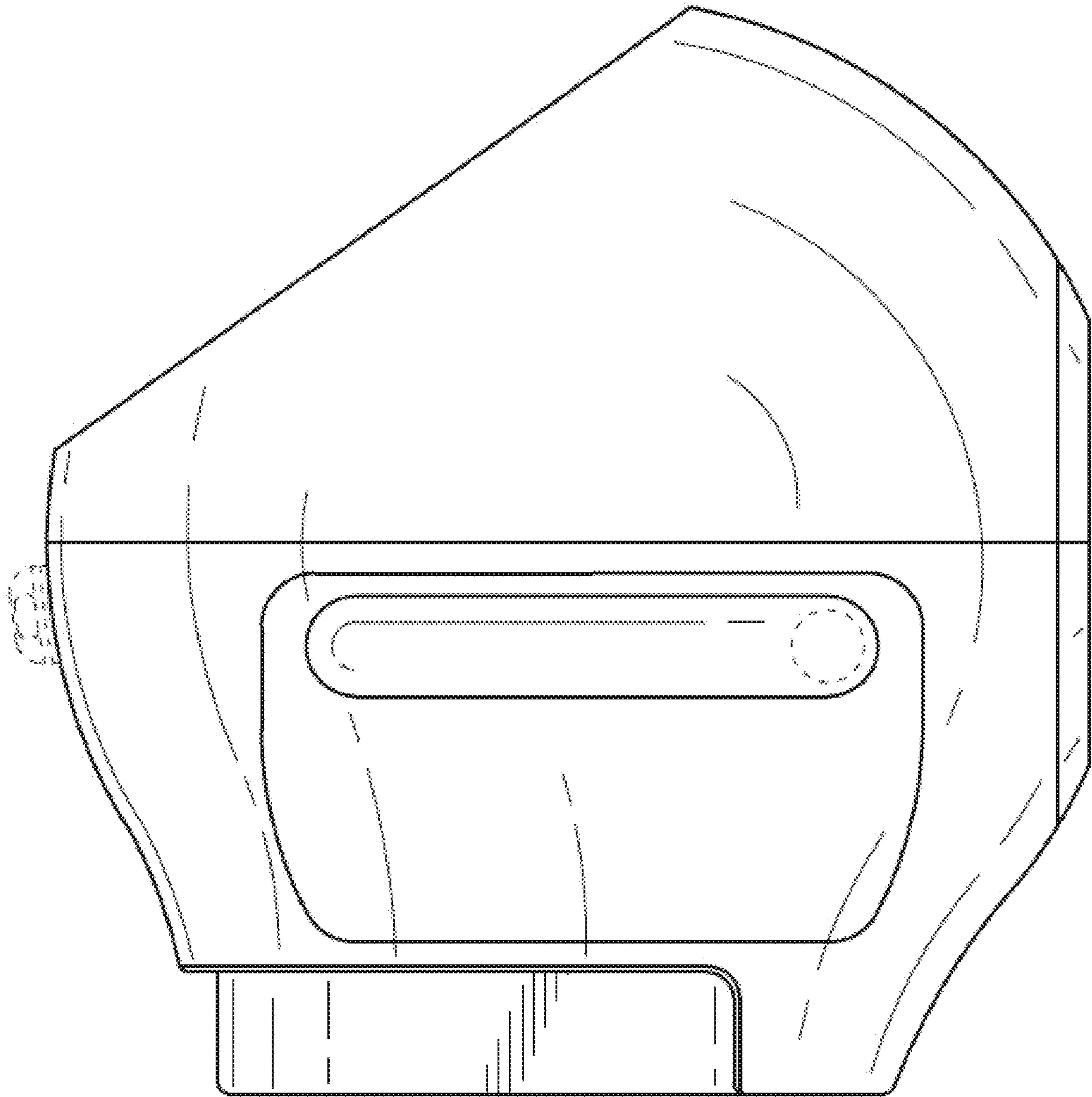


FIG. 5

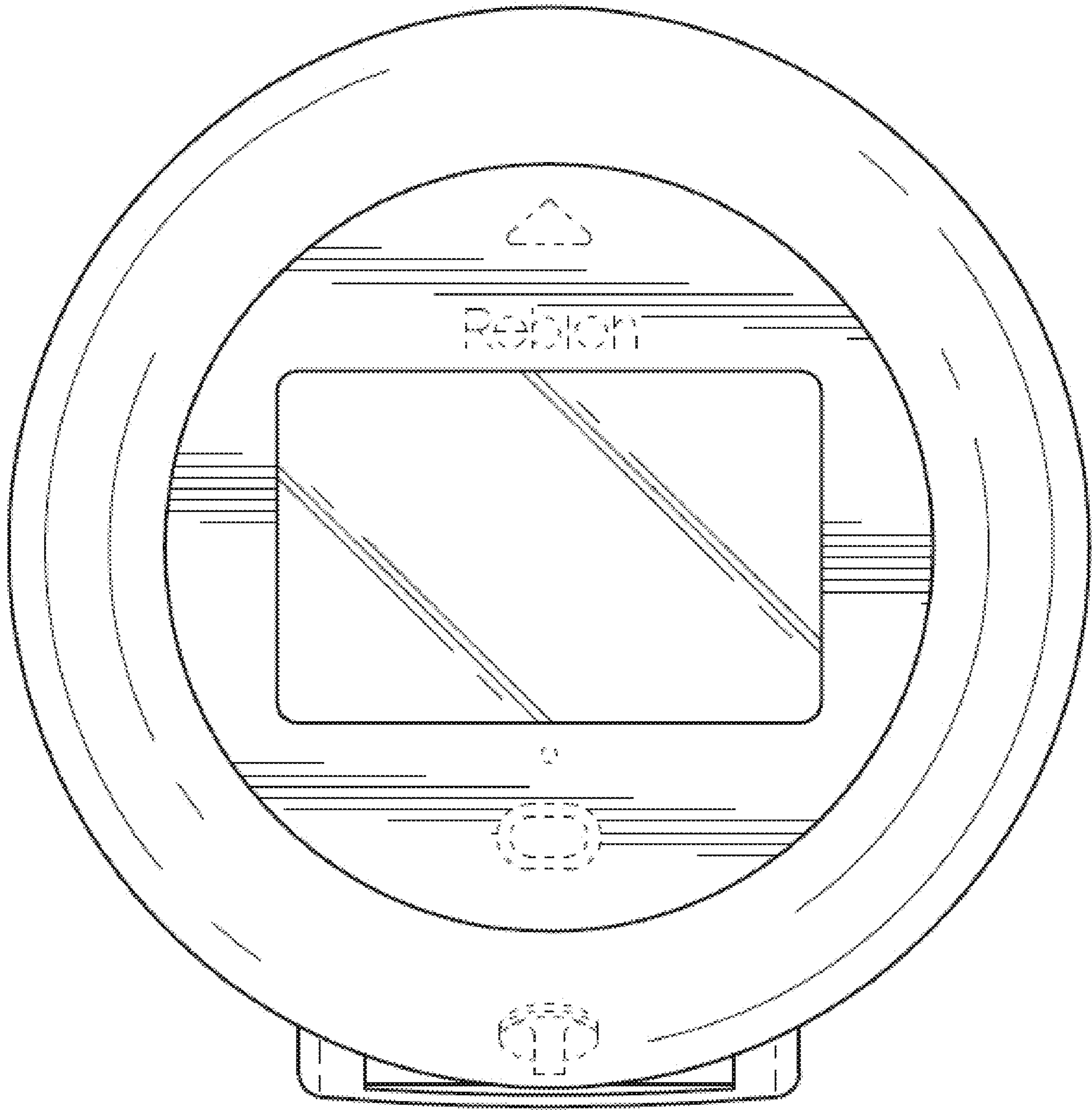


FIG. 6

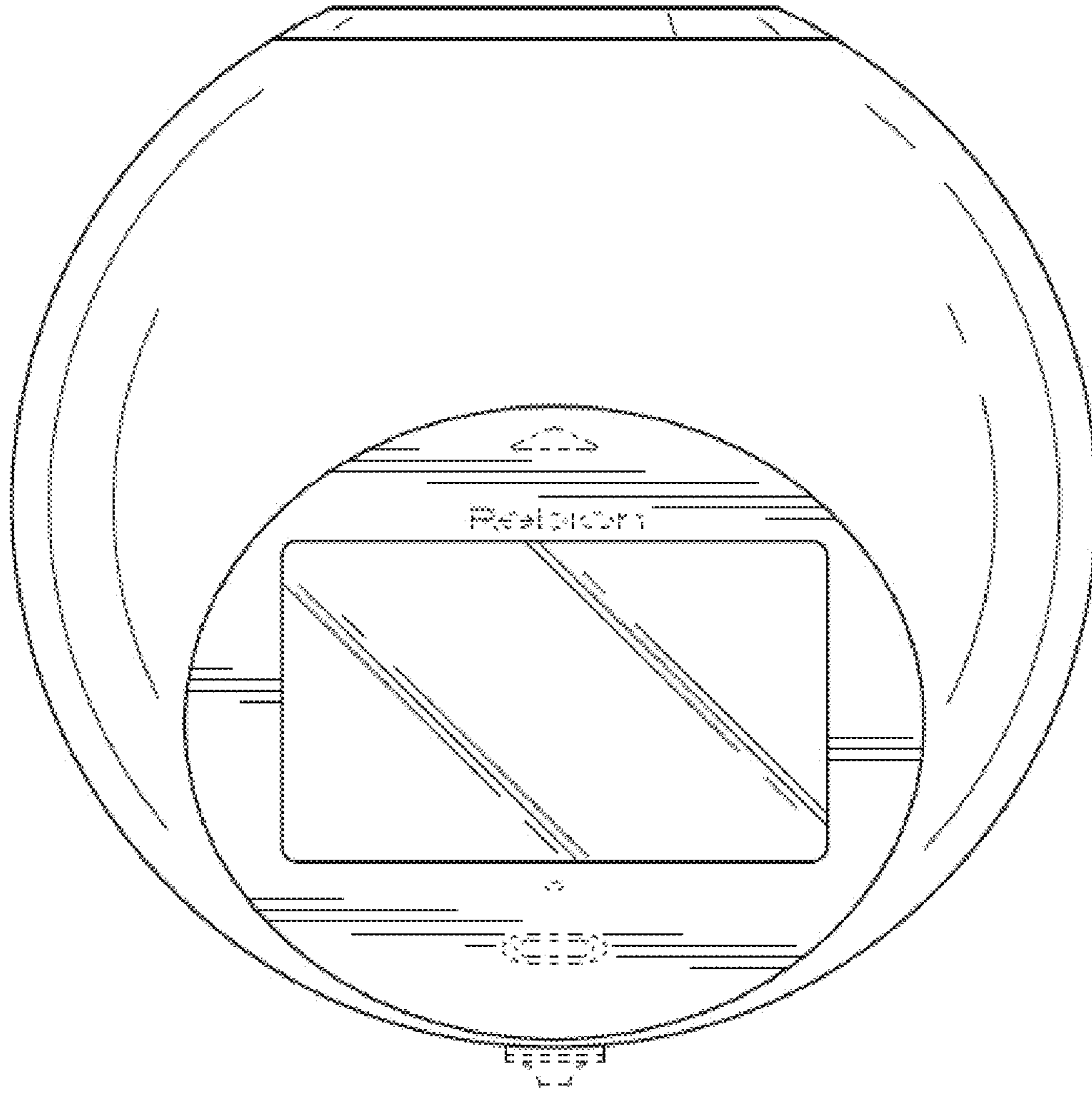


FIG. 7

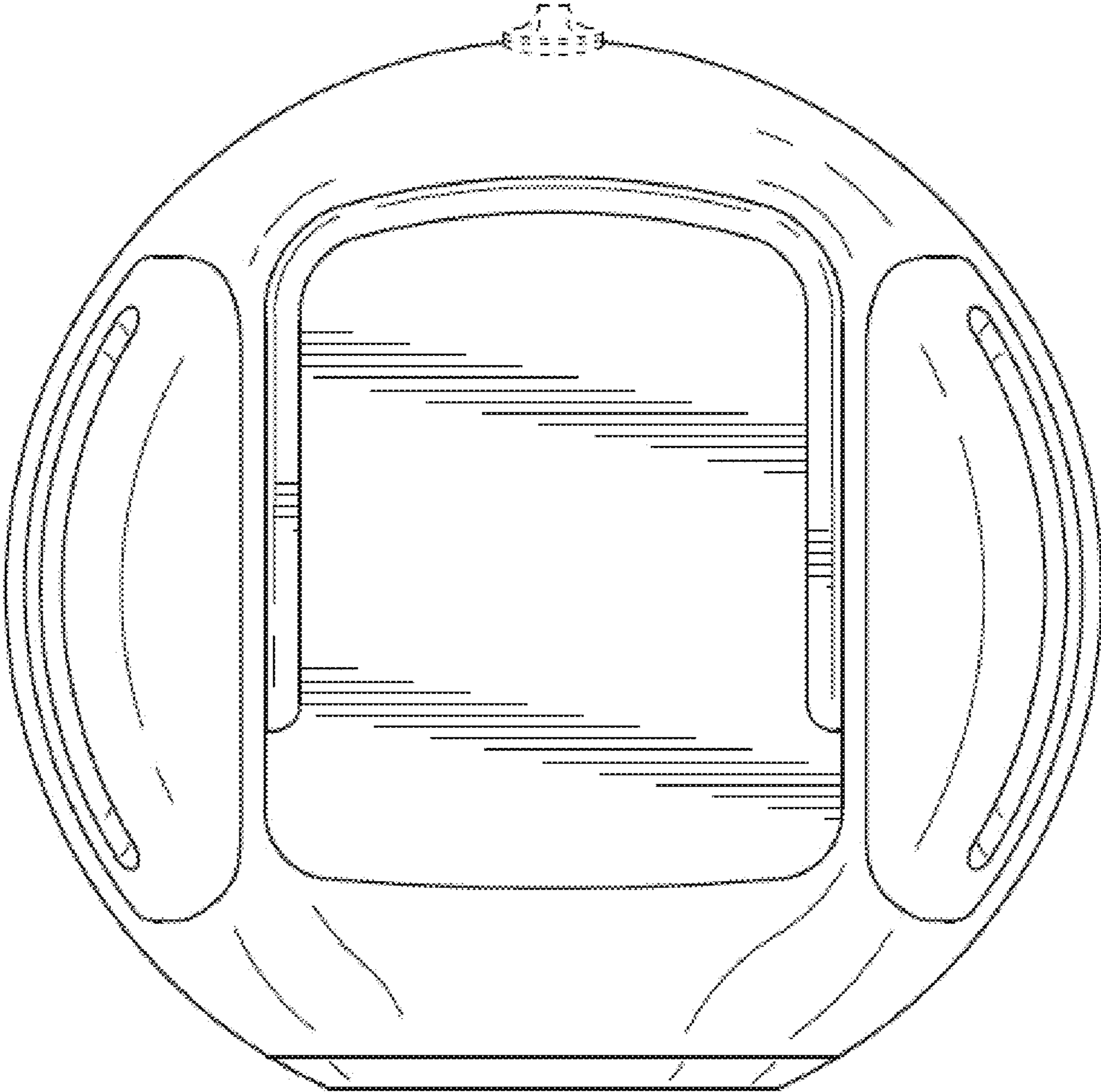


FIG. 8