



US00D900821S

(12) **United States Design Patent** (10) **Patent No.:** **US D900,821 S**
Johnston (45) **Date of Patent:** **** Nov. 3, 2020**

(54) **TOUCH INPUT DEVICE**

(71) Applicant: **JOAN R & D PTY LTD**, Malvern East (AU)

(72) Inventor: **Nicholas Maxwell Johnston**, Fitzroy (AU)

(73) Assignee: **JOAN R & D PTY LTD** (AU)

(**) Term: **15 Years**

(21) Appl. No.: **29/720,742**

(22) Filed: **Jan. 15, 2020**

Related U.S. Application Data

(62) Division of application No. 29/649,514, filed on May 30, 2018, now Pat. No. Des. 877,149.

(51) **LOC (12) Cl.** **14-02**

(52) **U.S. Cl.**
USPC **D14/388**; D14/218

(58) **Field of Classification Search**

USPC D14/388.356, 357, 358, 361, 362, 365, D14/367, 370, 432, 434, 203.1, 203.6, D14/217, 218, 240, 242, 299, 125, 155, D14/168, 188, 195, 300, 302, 314, 348, D14/351, 388, 496, 399-401, 412-416, D14/454-457, 172; D13/123, 162, 162.1, D13/163, 168, 184, 199; D10/104.1, D10/106.6, 116.1, 61, 62, 64, 65, 75; D21/324, 332, 333; D24/167, 168, 186; D28/8.1, 8.2, 82; D9/545, 549, 428
CPC ... G06F 3/00; G06F 3/01; G06F 3/011; G06F 3/016; G06F 3/017; G06F 3/0304; G06F 3/0346; G06F 3/041; G06F 3/16; G06F 3/0202; G06F 1/1694; G06F 2203/0384; G08B 21/00

See application file for complete search history.

(56) **References Cited**

U.S. PATENT DOCUMENTS

D347,584 S *	6/1994	Vogelpohl	D10/49
D382,255 S *	8/1997	Moffatt	D13/147
D391,943 S *	3/1998	Han	D14/356
D391,944 S *	3/1998	Han	D14/356
D411,800 S *	7/1999	Kokenge	D9/454
D494,633 S *	8/2004	Nussberger	D21/324
D502,929 S *	3/2005	Copeland	D13/168
D542,280 S *	5/2007	Taylor	D14/218
D568,827 S *	5/2008	Ikeda	D13/168
D581,927 S *	12/2008	Sumii	D14/356

(Continued)

Primary Examiner — Marie D. Fast Horse

(74) *Attorney, Agent, or Firm* — Polsinelli PC

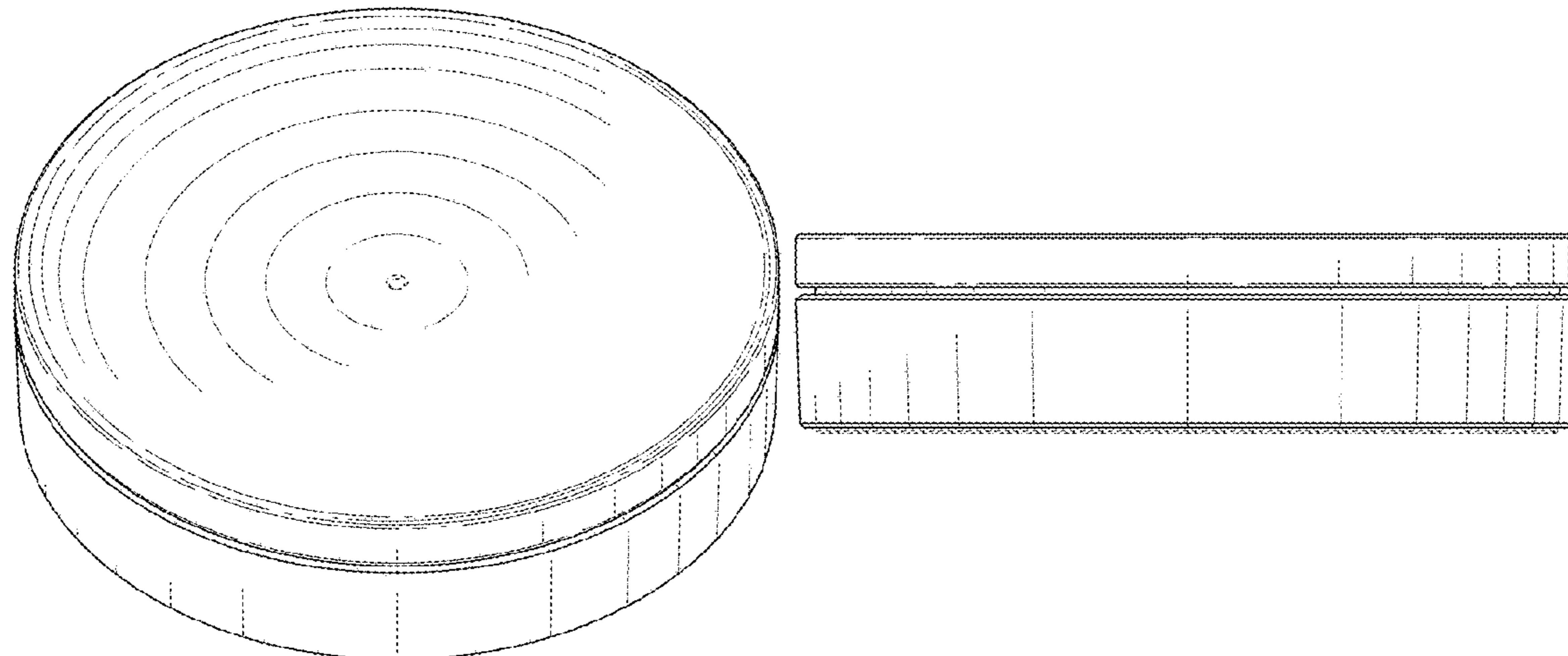
(57) **CLAIM**

I claim the ornamental design for a touch input device, as shown and described.

DESCRIPTION

FIG. 1 is a perspective view of a first embodiment of a touch input device, showing my new design; FIG. 2 is a front elevational view thereof; FIG. 3 is a rear elevational view thereof; FIG. 4 is a top plan view thereof; FIG. 5 is a bottom plan view thereof; FIG. 6 is a right side elevational view thereof; and FIG. 7 is a left side elevational view thereof. FIG. 8 is a perspective view of a second embodiment of the touch input device; FIG. 9 is a front elevational view thereof; FIG. 10 is a rear elevational view thereof; FIG. 11 is a top plan view thereof; FIG. 12 is a bottom plan view thereof; FIG. 13 is a right side elevational view thereof; and, FIG. 14 is a left side elevational view thereof.

(Continued)



Broken lines depict unclaimed portions of the touch input device; the broken lines form no part of the claimed design.

1 Claim, 8 Drawing Sheets

(56)

References Cited

U.S. PATENT DOCUMENTS

D595,262 S * 6/2009 Nousiainen D14/206
 D600,694 S * 9/2009 Sumii D14/356
 D642,722 S * 8/2011 Oberpriller D26/67
 D647,227 S * 10/2011 Kaule D26/24
 D694,182 S * 11/2013 Lee D13/108
 D707,578 S * 6/2014 Carr D10/106.1
 D718,234 S * 11/2014 Rautiainen D13/108
 D720,289 S * 12/2014 Chiang D13/108
 D724,060 S * 3/2015 Ahn D14/218
 D725,524 S * 3/2015 Takach D10/103
 D726,161 S * 4/2015 Howard D14/218
 D729,773 S * 5/2015 Salojarvi D14/218
 D735,131 S * 7/2015 Akana D13/108
 D743,819 S * 11/2015 Golnik D10/70
 D743,954 S * 11/2015 Chuang D13/168
 D746,166 S * 12/2015 Li D10/104.1
 D750,980 S * 3/2016 Takach D10/50
 D751,538 S * 3/2016 Koehler D14/240
 D752,588 S * 3/2016 Li D14/385
 D753,832 S * 4/2016 Lin D24/186
 D760,221 S * 6/2016 Maruyama D14/357
 D763,830 S * 8/2016 Jones D14/218
 D764,320 S * 8/2016 Li D10/50
 D766,844 S * 9/2016 Turksu D10/104.1
 D768,631 S * 10/2016 Epstein D14/388
 D771,142 S * 11/2016 Langhammer D14/203.6
 D776,640 S * 1/2017 Simonian D14/218
 D781,798 S * 3/2017 Klepper D14/125

D783,422 S * 4/2017 Kashimoto D10/50
 D784,259 S * 4/2017 Huang D13/108
 D786,193 S * 5/2017 Akana D13/108
 D789,373 S * 6/2017 King D14/413
 D789,374 S * 6/2017 King D14/413
 D796,355 S * 9/2017 Cho D10/70
 D802,022 S * 11/2017 Yao D14/496
 9,830,005 B2 * 11/2017 Sakaguchi G06F 3/011
 D804,533 S * 12/2017 Mangum D14/496
 D806,072 S * 12/2017 Gummalla D14/358
 D806,711 S * 1/2018 Sakaguchi D14/388
 D807,867 S * 1/2018 Kato D14/240
 D815,149 S * 4/2018 Langhammer D14/496
 D820,238 S * 6/2018 Boshernitzan D14/218
 D820,318 S * 6/2018 Mullins D14/496
 D822,717 S * 7/2018 Lim D14/496
 D824,867 S * 8/2018 Kim D14/125
 D827,598 S * 9/2018 Kwon D14/125
 D829,242 S * 9/2018 Laine D14/496
 D830,858 S * 10/2018 Rogers D10/41
 D843,419 S * 3/2019 Vaclavik D14/496
 D848,398 S * 5/2019 Huang D14/216
 D855,586 S * 8/2019 Bang D14/218
 D856,298 S * 8/2019 Border D14/150
 D858,463 S * 9/2019 Nien D13/168
 D864,961 S * 10/2019 Sakaguchi D14/388
 D866,553 S * 11/2019 Miura D14/388
 D867,339 S * 11/2019 Afshar Bakooshli D14/218
 D867,340 S * 11/2019 Afshar Bakooshli D14/218
 D867,341 S * 11/2019 Afshar Bakooshli D14/218
 D867,342 S * 11/2019 Afshar Bakooshli D14/218
 D867,343 S * 11/2019 Afshar Bakooshli D14/218
 D868,036 S * 11/2019 Sohn D14/218
 D869,463 S * 12/2019 Gagne-Keats D14/358
 D870,896 S * 12/2019 Komaki D24/186
 D877,149 S * 3/2020 Johnston D14/388
 D878,325 S * 3/2020 Paterson D14/203.1
 D879,053 S * 3/2020 Yu D13/168
 D884,673 S * 5/2020 Han D14/216

* cited by examiner

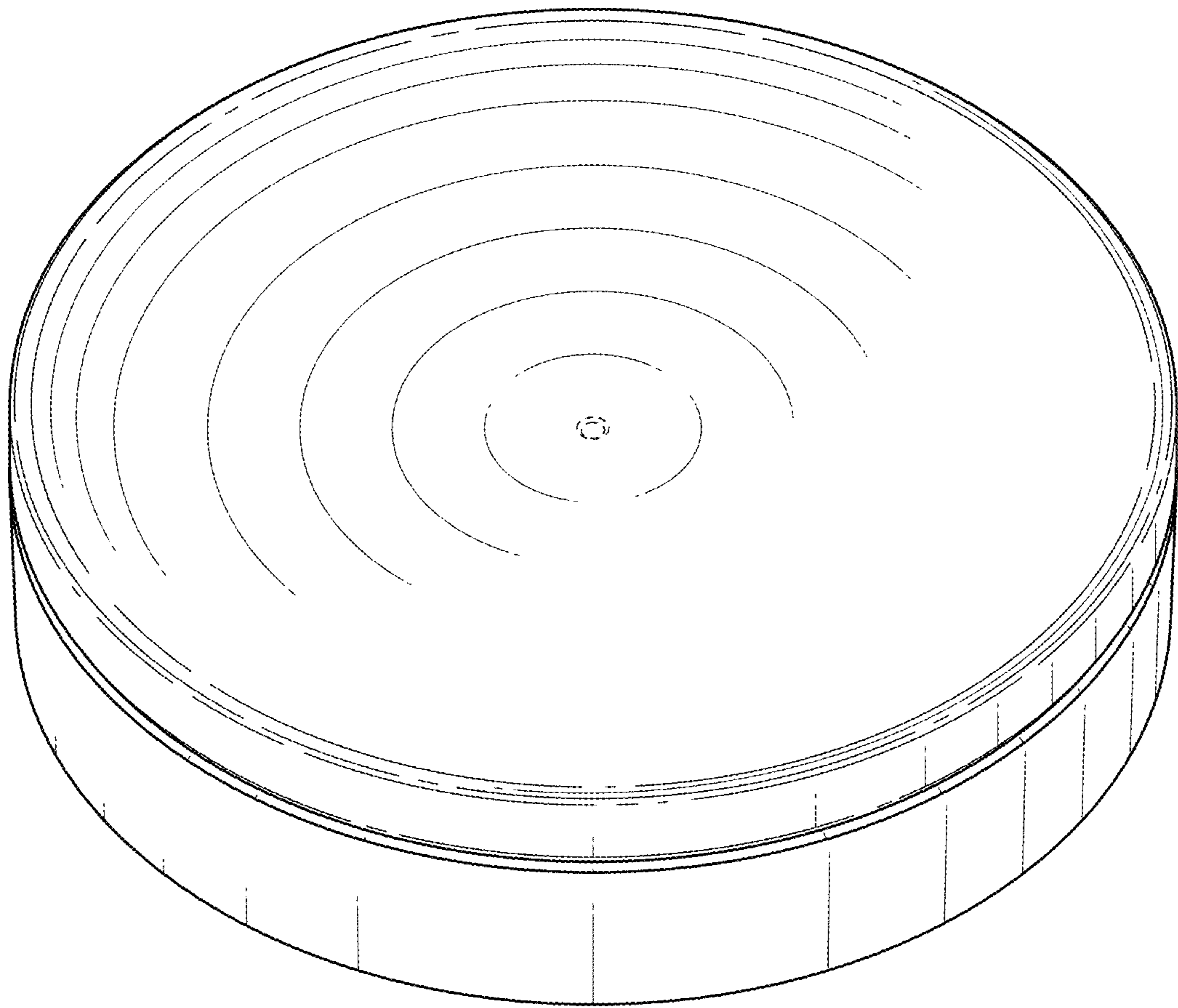


FIG. 1

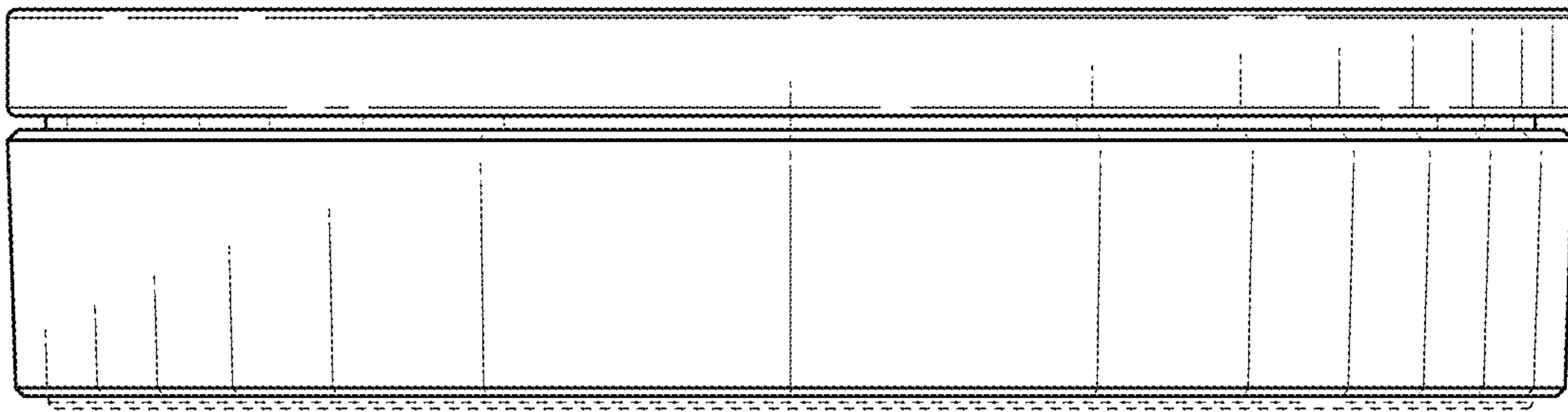


FIG. 2

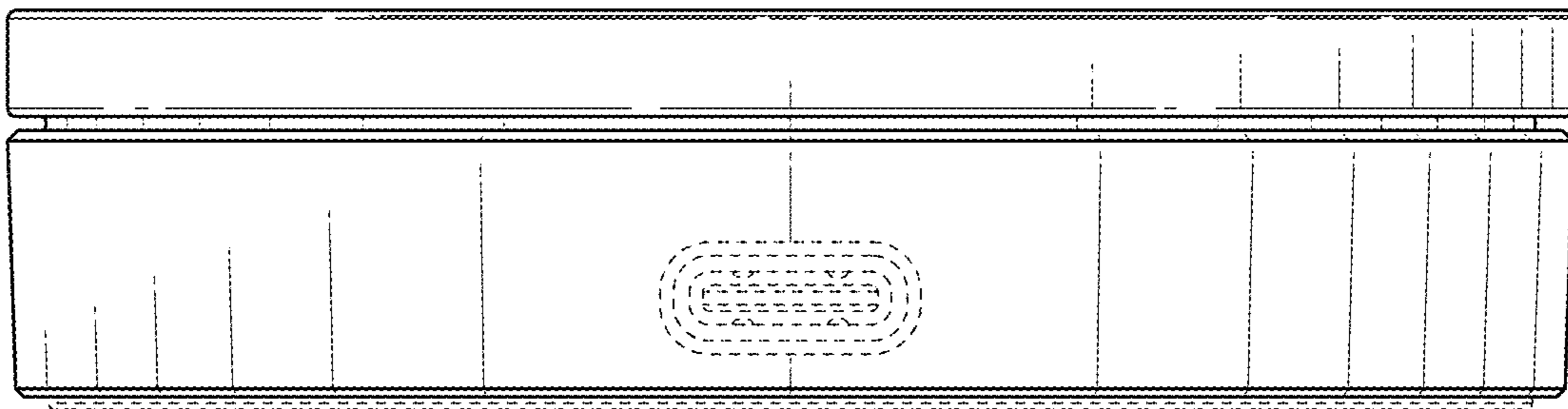


FIG. 3

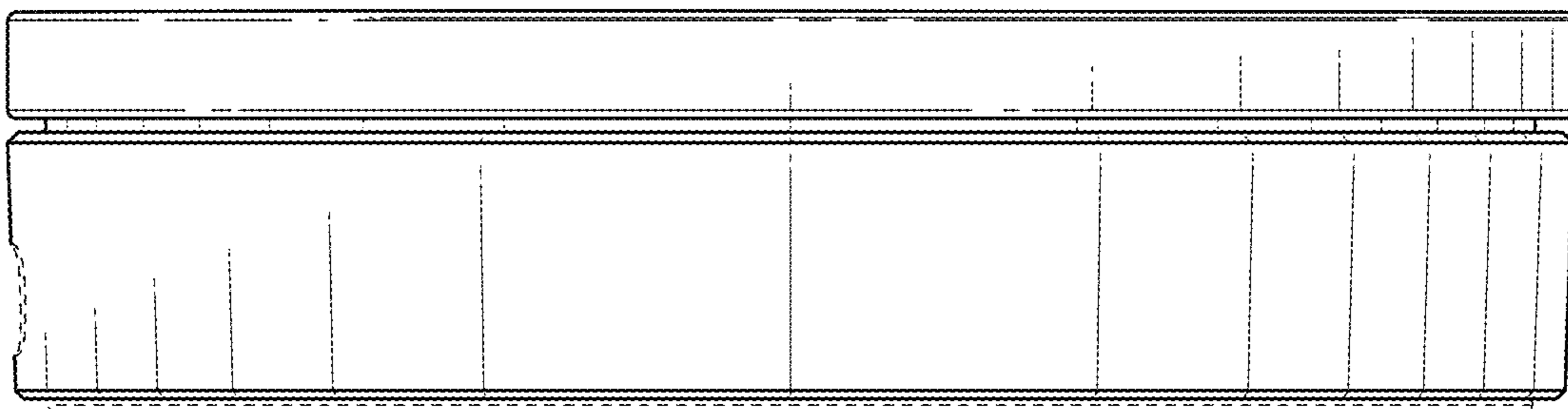


FIG. 4

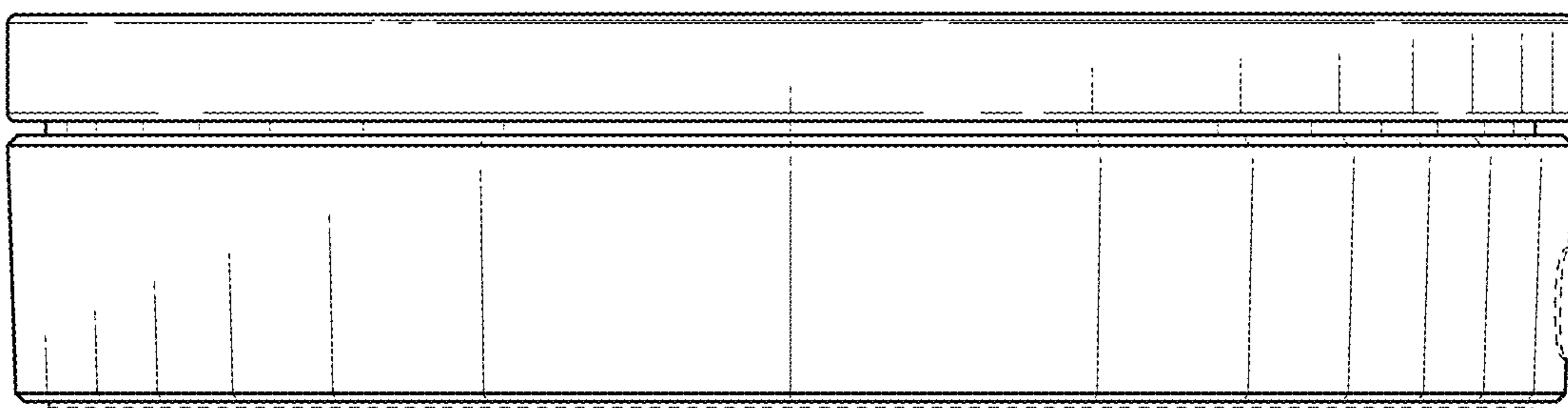


FIG. 5

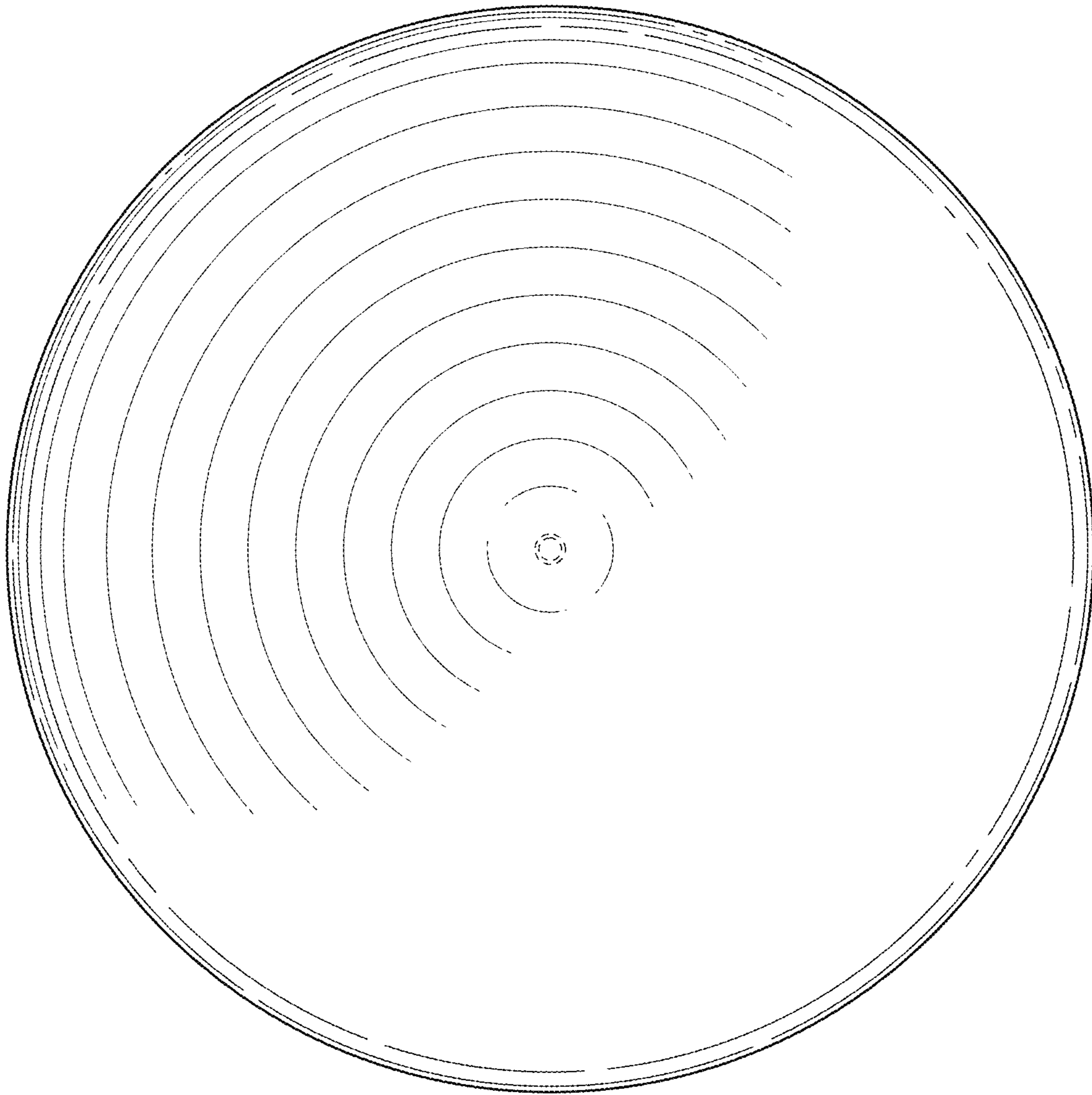


FIG. 6

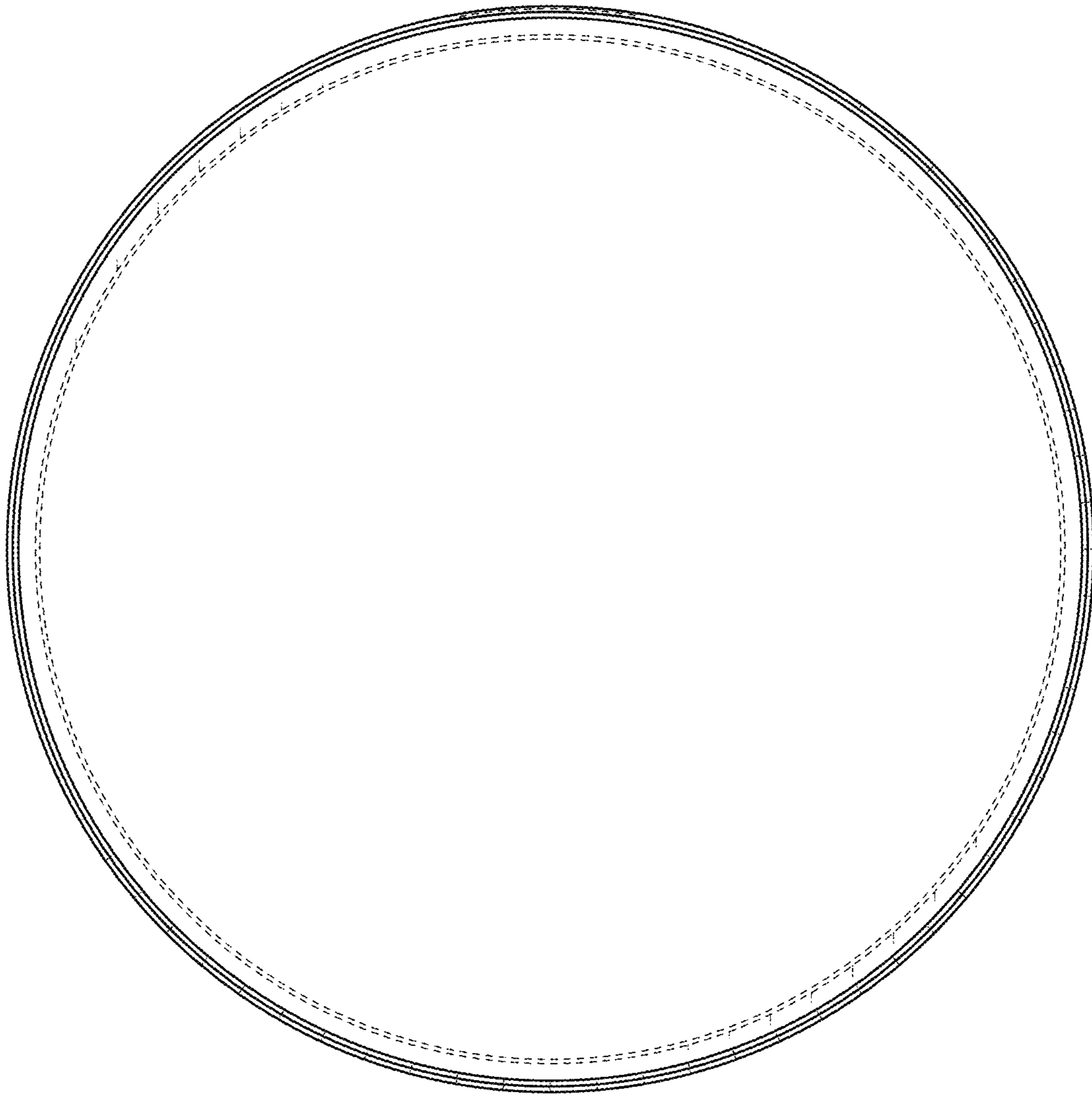


FIG. 7

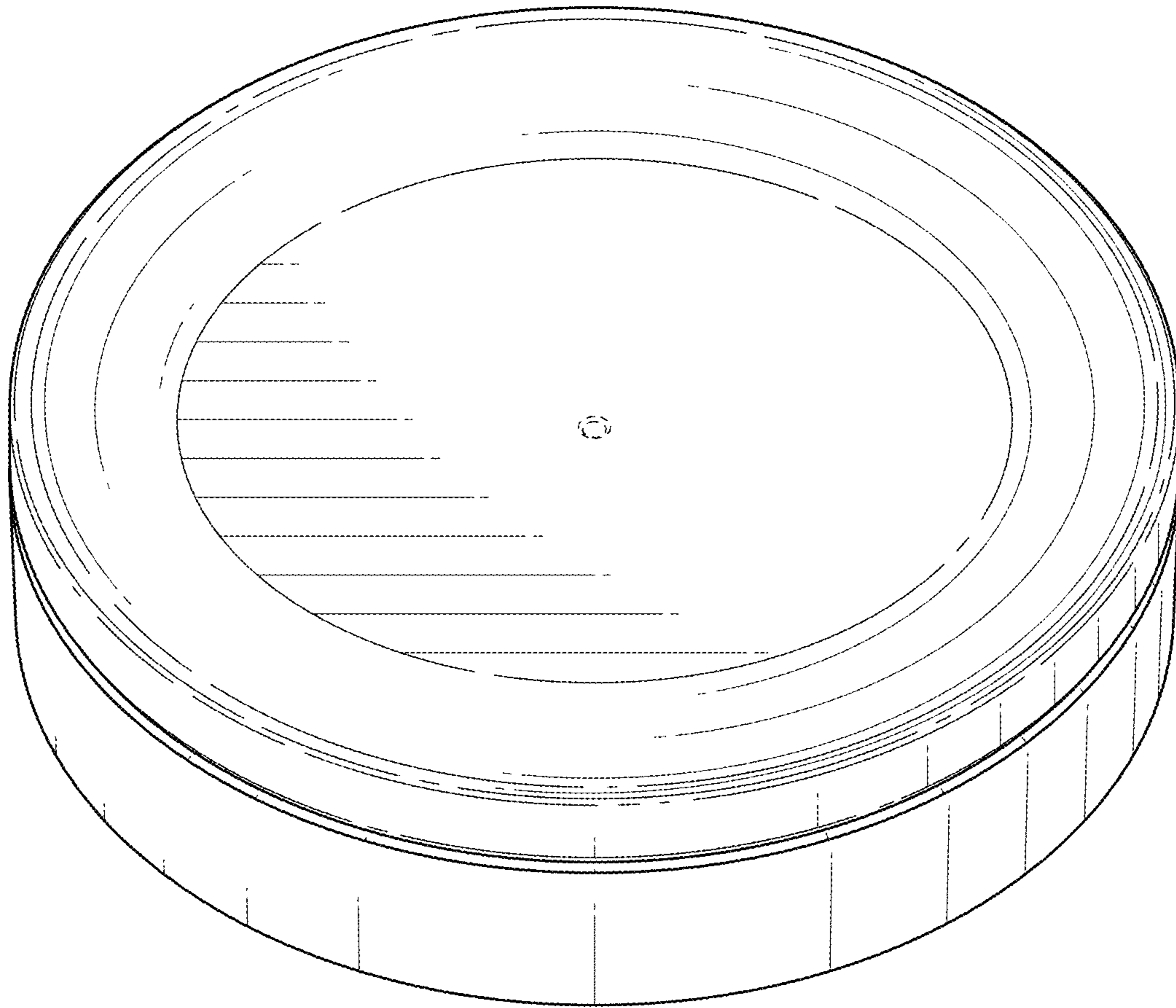


FIG. 8

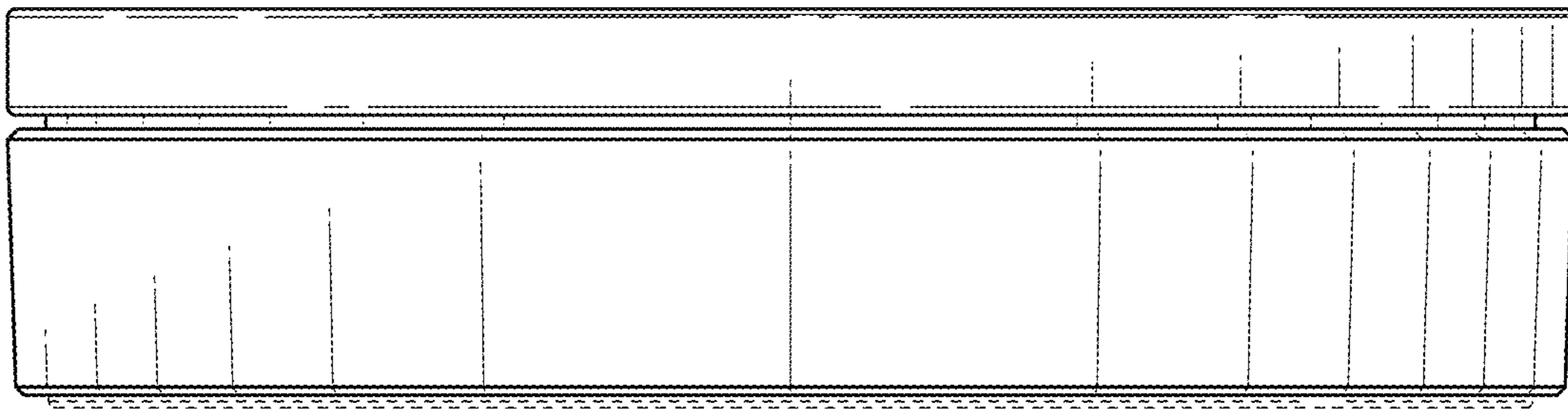


FIG. 9

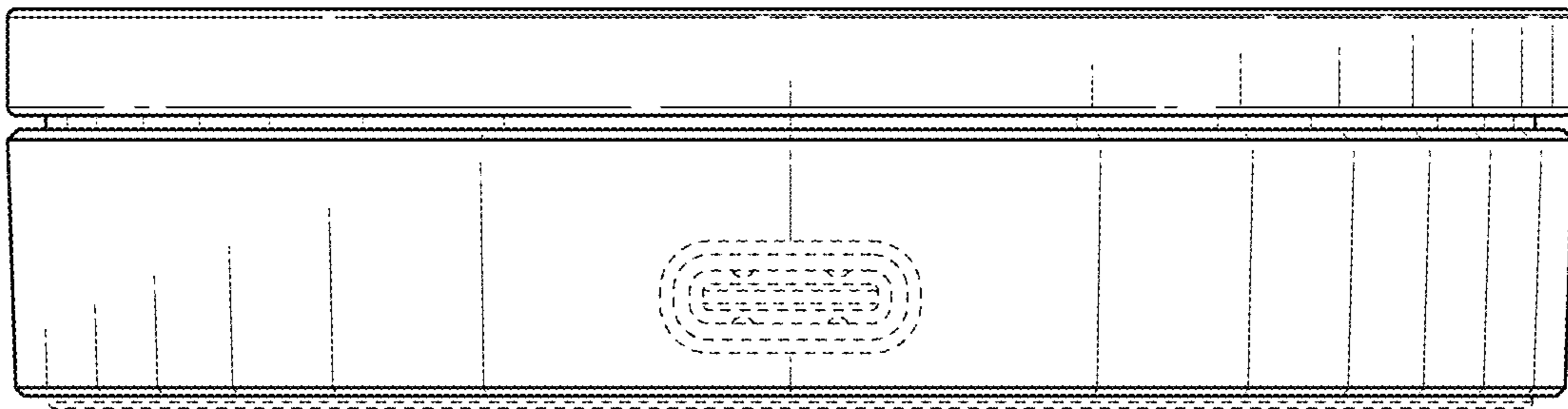


FIG. 10

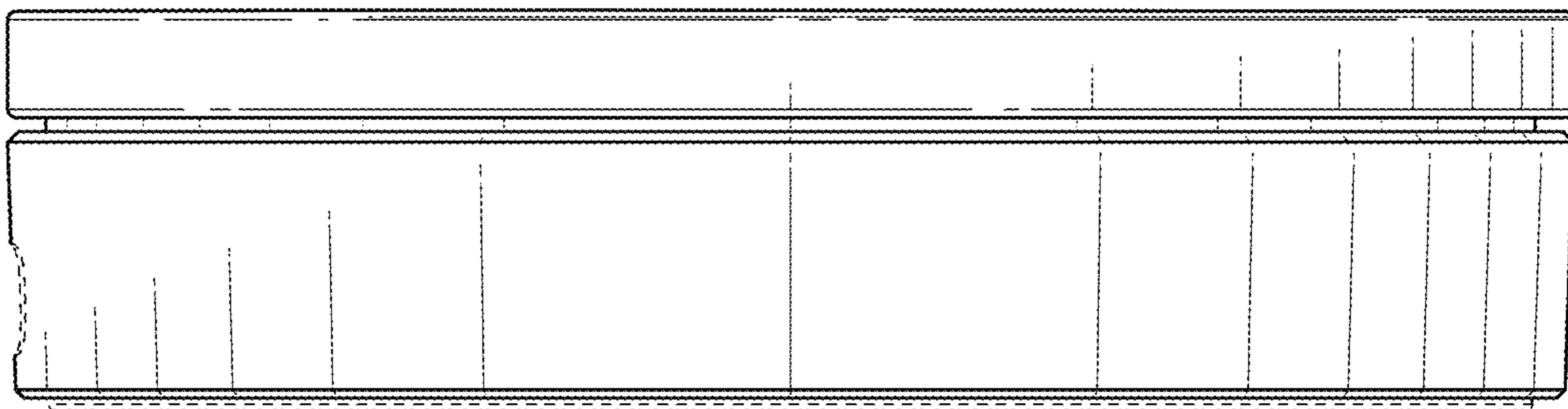


FIG. 11

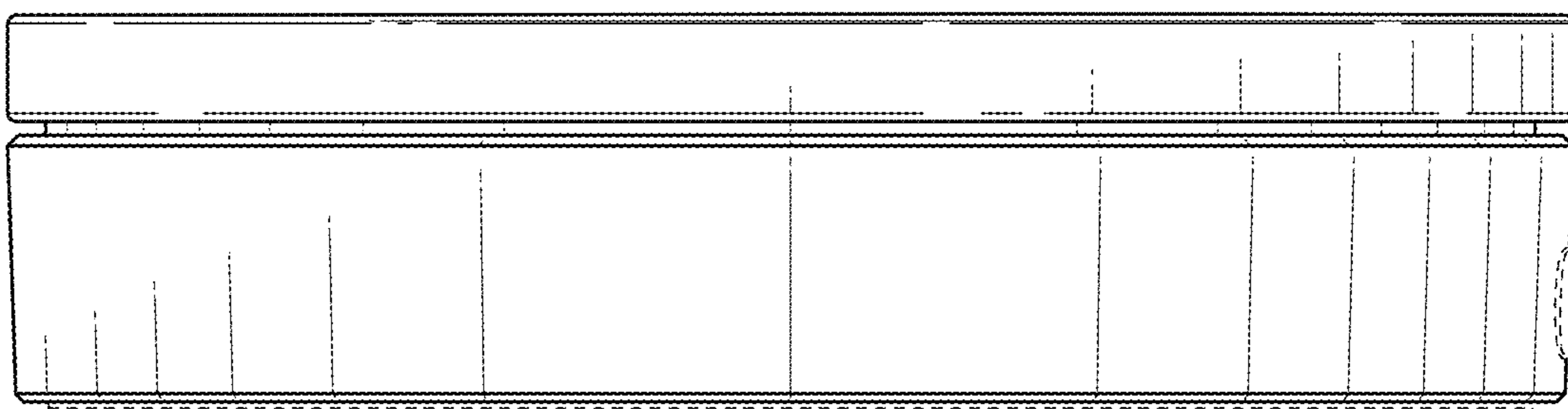


FIG. 12

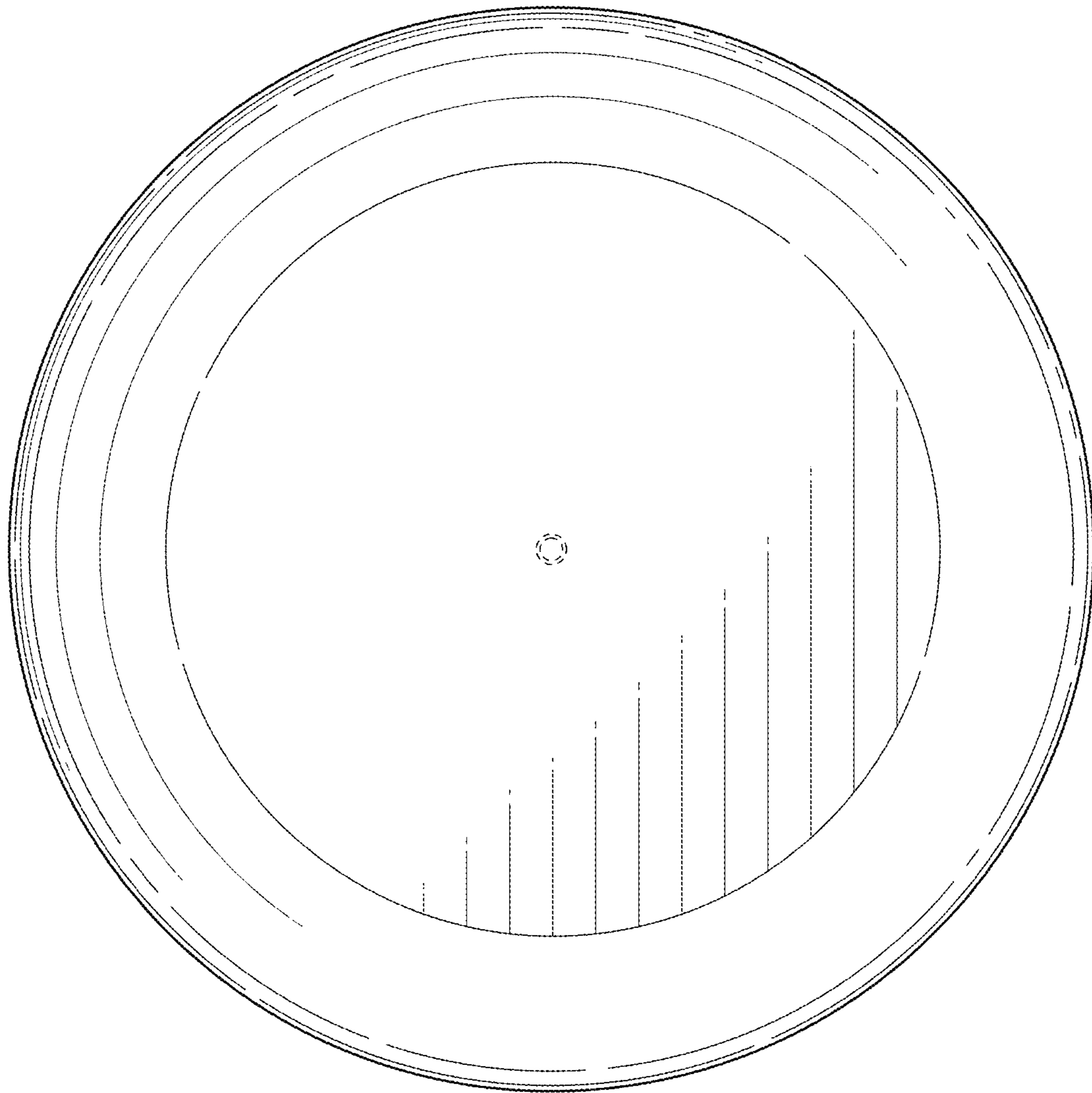


FIG. 13

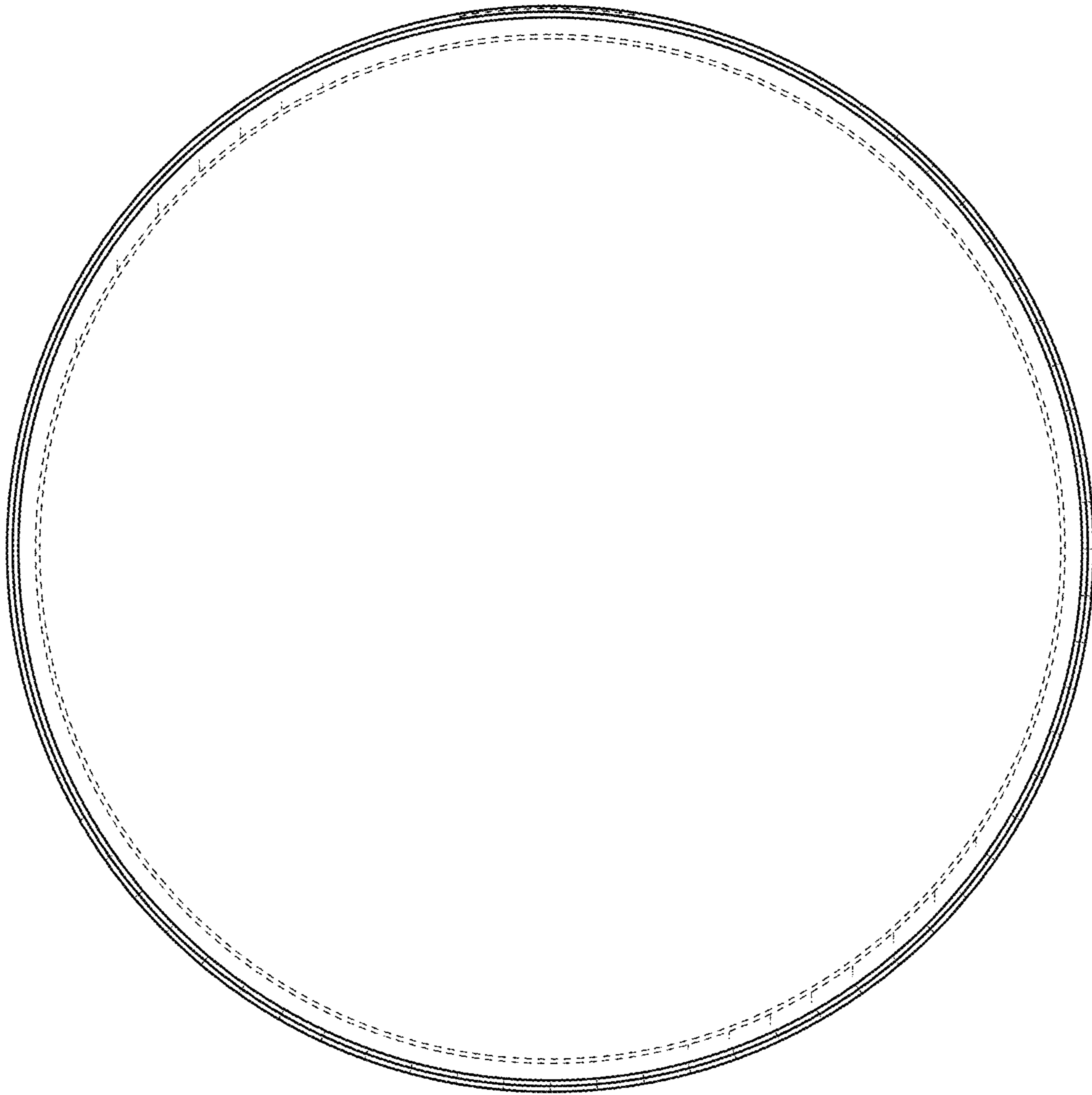


FIG. 14