



US00D900819S

(12) **United States Design Patent**
Kim et al.

(10) **Patent No.: US D900,819 S**

(45) **Date of Patent: ** *Nov. 3, 2020**

(54) **MONITOR FOR COMPUTER**

(71) Applicant: **LG ELECTRONICS INC.**, Seoul (KR)

(72) Inventors: **Yeonjin Kim**, Seoul (KR); **Daihyung Ryu**, Seoul (KR)

(73) Assignee: **LG ELECTRONICS INC.**, Seoul (KR)

(*) Notice: This patent is subject to a terminal disclaimer.

(**) Term: **15 Years**

(21) Appl. No.: **35/507,164**

(22) Filed: **Feb. 1, 2019**

(80) **Hague Agreement Data**

Int. Filing Date: **Feb. 1, 2019**

Int. Reg. No.: **DM/200859**

Int. Reg. Date: **Feb. 1, 2019**

Int. Reg. Pub. Date: **Aug. 2, 2019**

(30) **Foreign Application Priority Data**

Aug. 7, 2018 (KR) 30-2018-0036612

(51) **LOC (12) Cl.** **14-02**

(52) **U.S. Cl.**
USPC **D14/374**

(58) **Field of Classification Search**
USPC D14/125-134, 136, 159, 239, 336,
D14/339-341, 371, 373-374, 375, 448,
D14/450; D21/329, 332, 515
CPC G06F 1/16; G06F 1/1601; G06F 1/1637;
H04N 5/64; H05K 5/0204; H05K 5/0017;
H05K 5/0217

See application file for complete search history.

(56) **References Cited**

U.S. PATENT DOCUMENTS

D529,911 S * 10/2006 Yamashiro D14/375
D677,662 S * 3/2013 Mochizuki D14/375
D717,751 S * 11/2014 Shin D14/126
D718,728 S * 12/2014 Park D14/126
D723,483 S * 3/2015 Lee D14/126
D726,666 S * 4/2015 Hwangbo D14/126

(Continued)

FOREIGN PATENT DOCUMENTS

CN 305265193 * 7/2019
JP D1628365 * 4/2019

(Continued)

OTHER PUBLICATIONS

UltraGear™ Gaming Monitors, announced 2019 [online], [retrieved May 29, 2020]. Available from Internet, URL: <<https://www.lg.com/us/business/ultragear-gaming-monitors>> (Year: 2019).*

(Continued)

Primary Examiner — Dana K Weiland

(74) *Attorney, Agent, or Firm* — Birch, Stewart, Kolasch & Birch, LLP

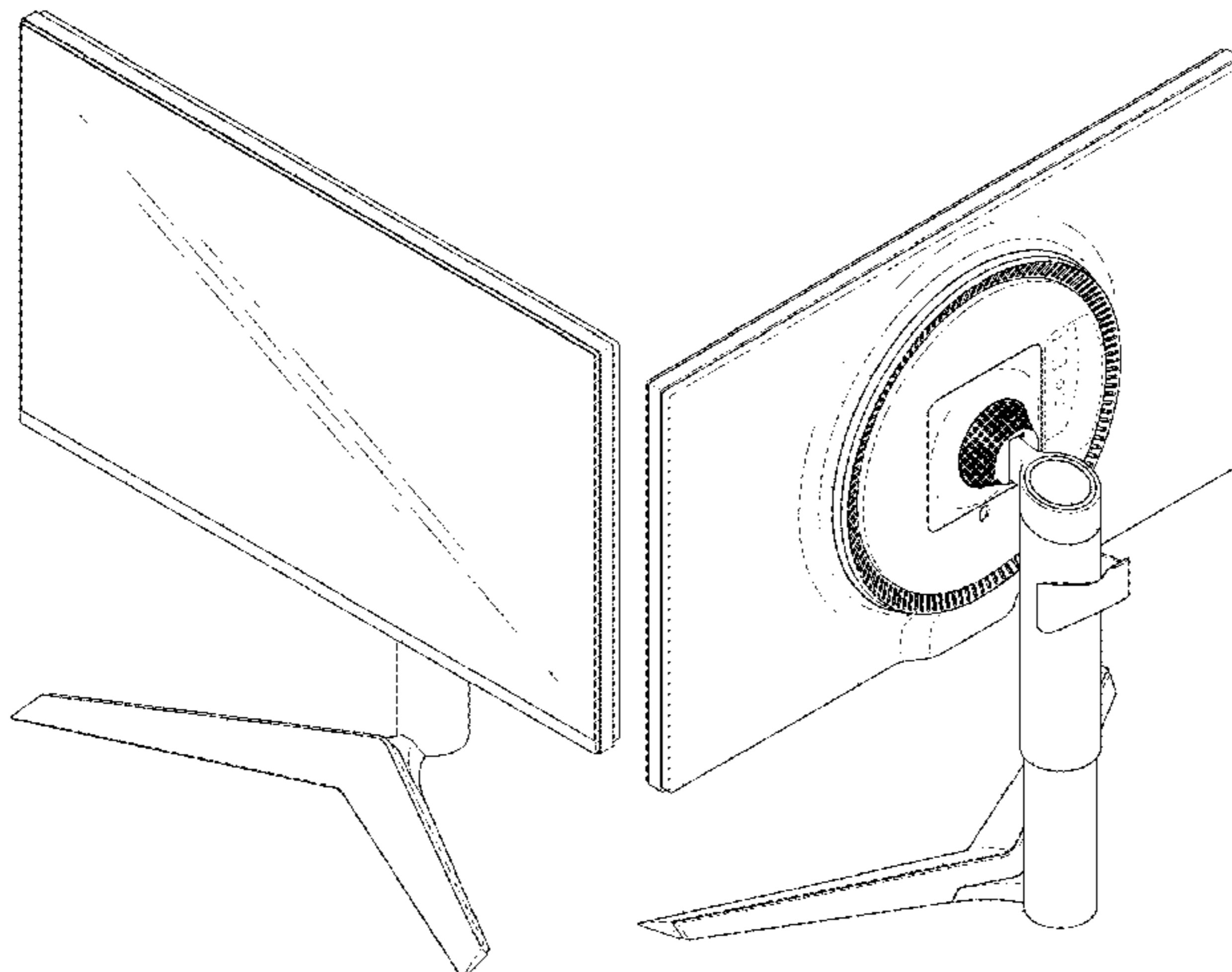
(57) **CLAIM**

The ornamental design for a monitor for computer, as shown and described.

DESCRIPTION

- 1. Monitor for computer
- 1.1 : Perspective
- 1.2 : Rear perspective view
- 1.3 : Front
- 1.4 : Back
- 1.5 : Left
- 1.6 : Right

(Continued)



1.7 : Top

1.8 : Bottom

The broken lines indicate portions of the monitor for computer that form no part of the claimed design.

1 Claim, 8 Drawing Sheets

D859,337 S	*	9/2019	Lee	D14/126
D869,414 S	*	12/2019	Kim	D14/126
D869,415 S	*	12/2019	Jang	D14/126
D872,085 S	*	1/2020	Lee	D14/374
D872,702 S	*	1/2020	Jang	D14/126
D888,677 S	*	6/2020	Ryu	D14/126

(56)

References Cited

U.S. PATENT DOCUMENTS

D786,868 S	*	5/2017	Kim	D14/374
D817,901 S	*	5/2018	Lee	D14/126
D819,028 S	*	5/2018	Seo	D14/374
D827,644 S	*	9/2018	Kim	D14/377
D828,837 S	*	9/2018	Kim	D14/374
D836,583 S	*	12/2018	Cha	D14/126
D850,441 S	*	6/2019	Lee	D14/336
D854,540 S	*	7/2019	Kim	D14/336
D858,472 S	*	9/2019	Lee	D14/126
D858,473 S	*	9/2019	Lee	D14/126

FOREIGN PATENT DOCUMENTS

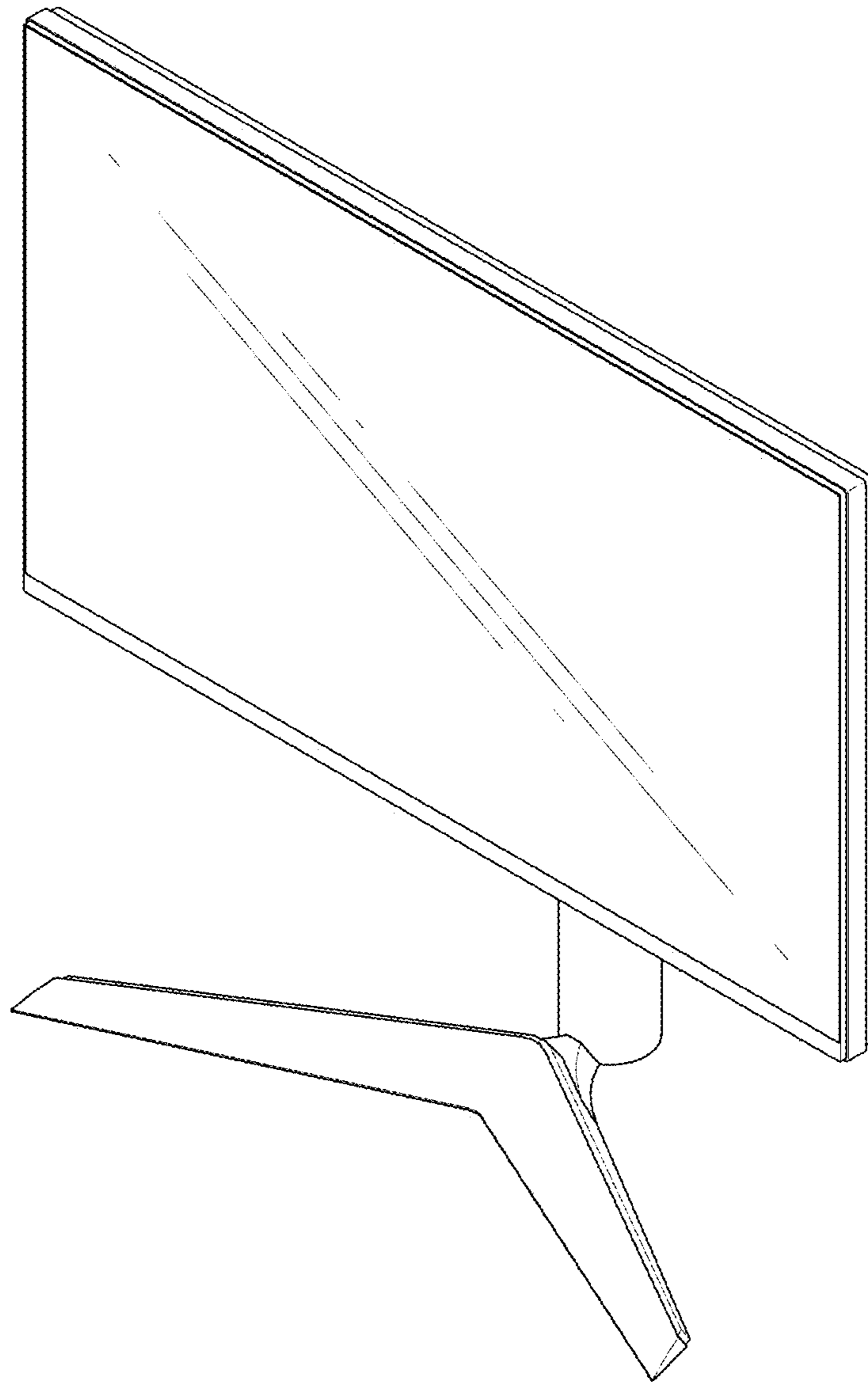
JP		D1632148	*	5/2019
WO		D200493-002	*	8/2019
WO		D200493-003	*	8/2019
WO		D200859-001	*	8/2019
WO		D201399-001	*	8/2019

OTHER PUBLICATIONS

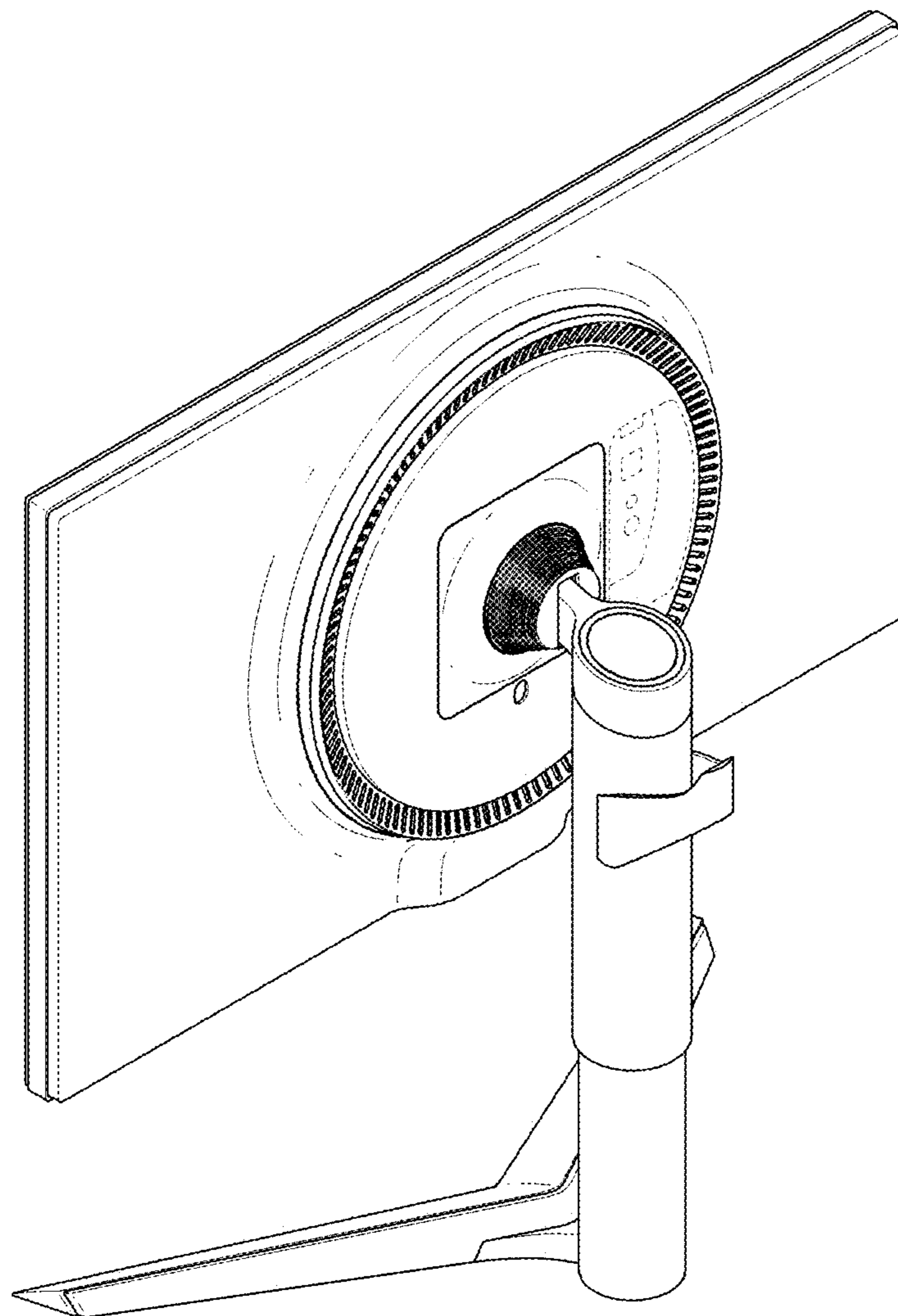
LG 24LG 24" 1920x1080 Gaming Monitor, 24GL65B-B, date first available: Jun. 10, 2019 [online], [retrieved May 29, 2020]. Available from Internet, URL: <<https://www.amazon.com/LG-1920x1080-Gaming-Monitor-24GL65B-B/dp/B07SXXSQ1X?th=1>> (Year: 2019).*

* cited by examiner

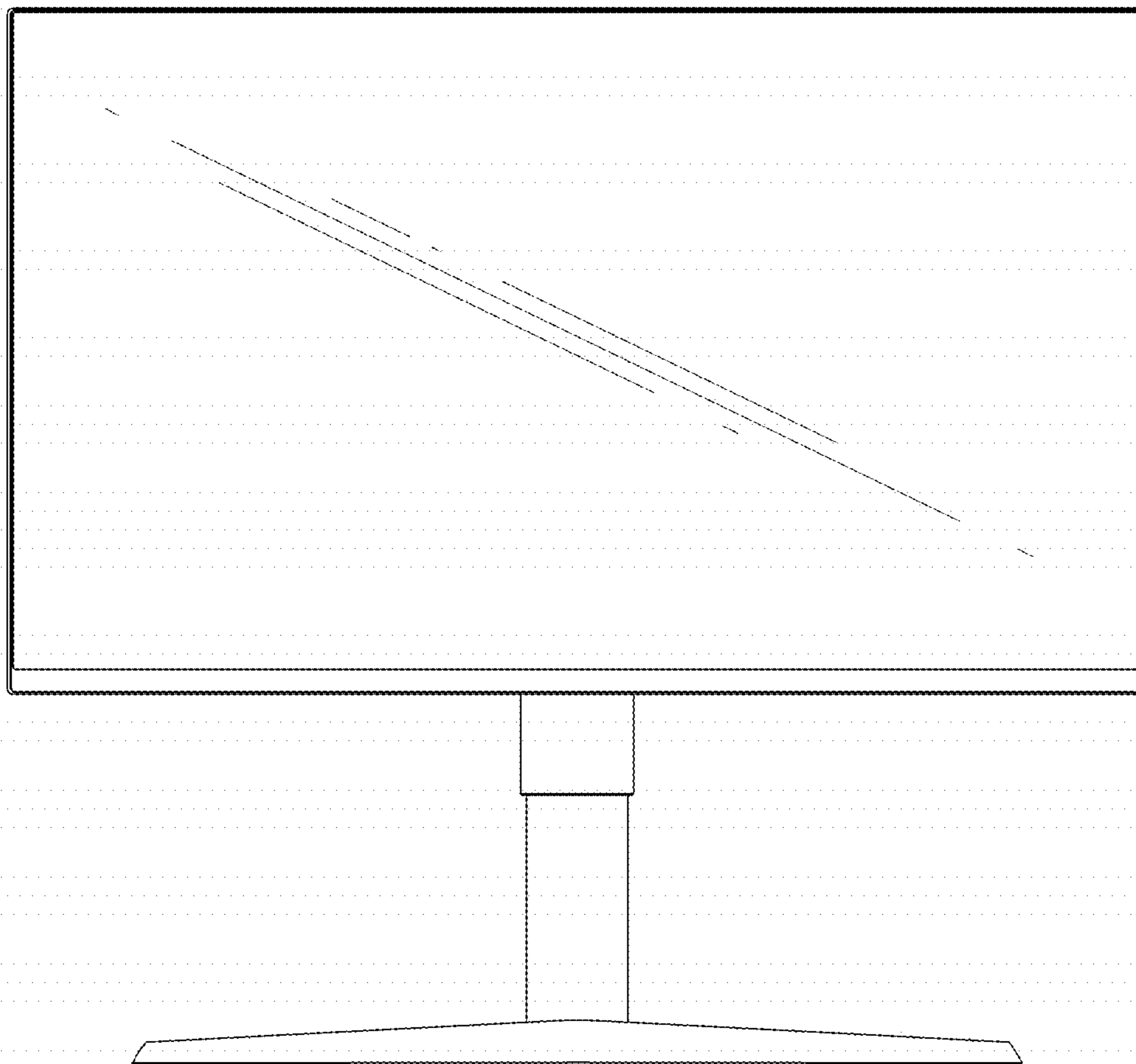
1.1



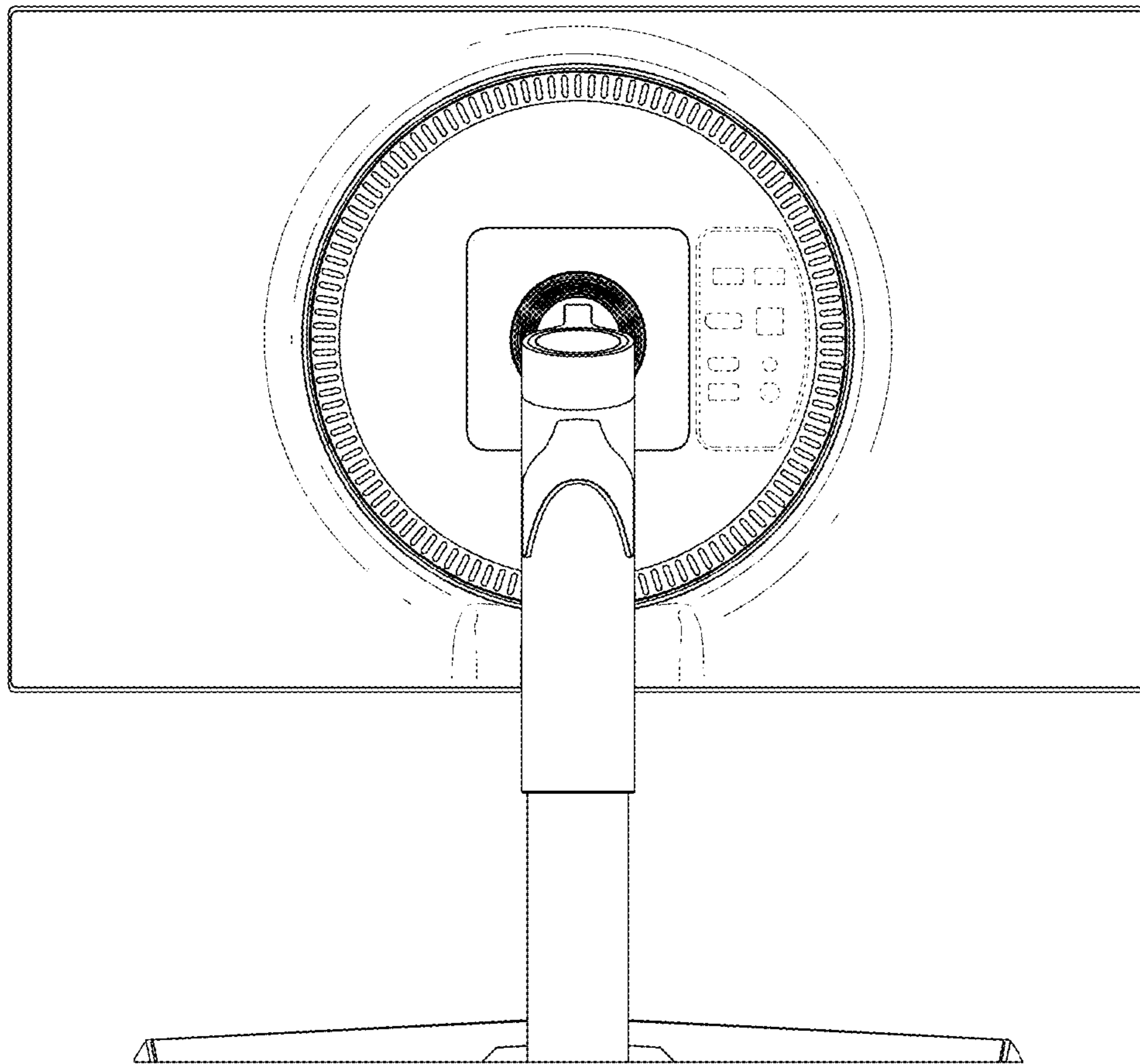
1.2



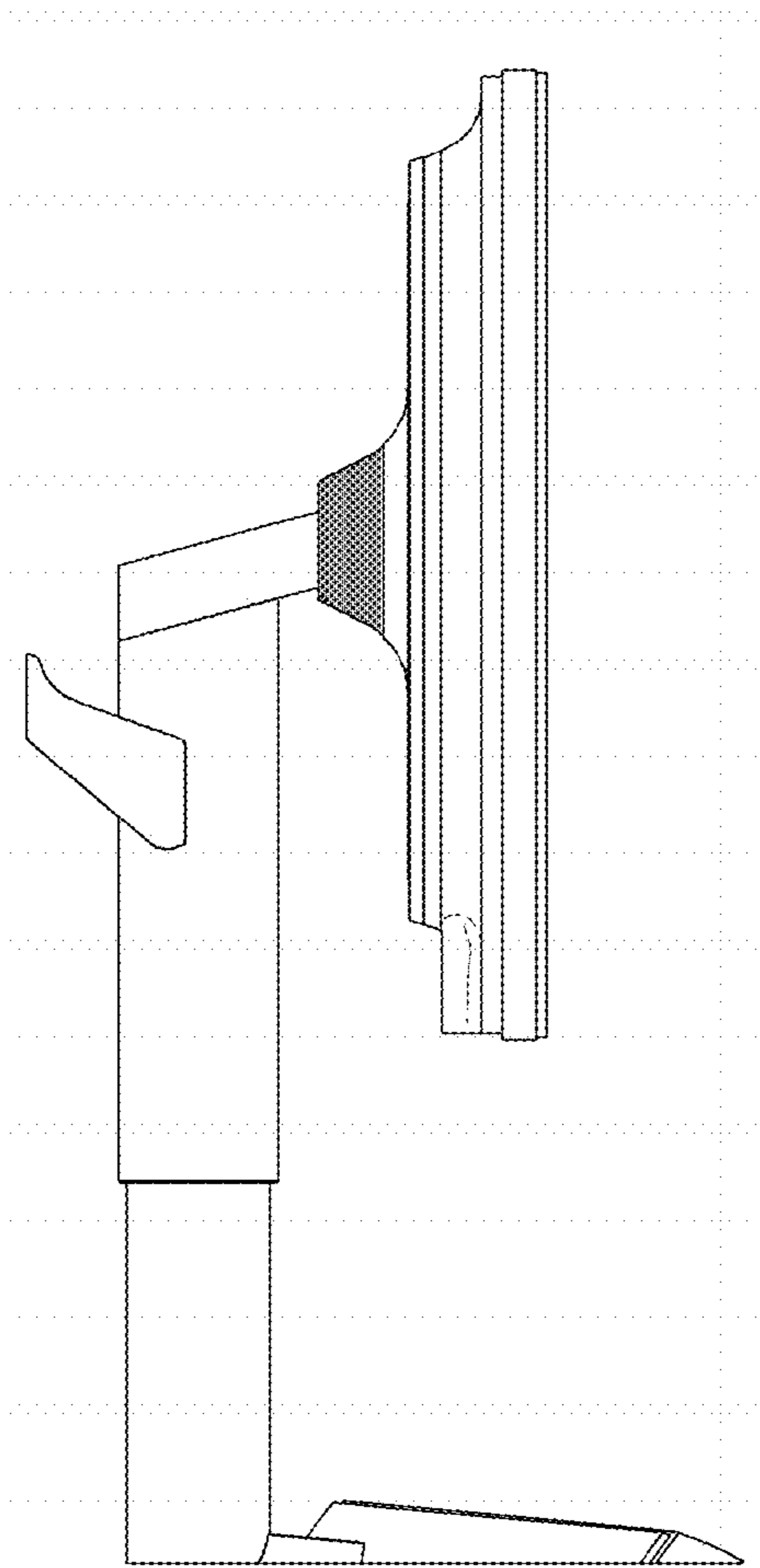
1.3



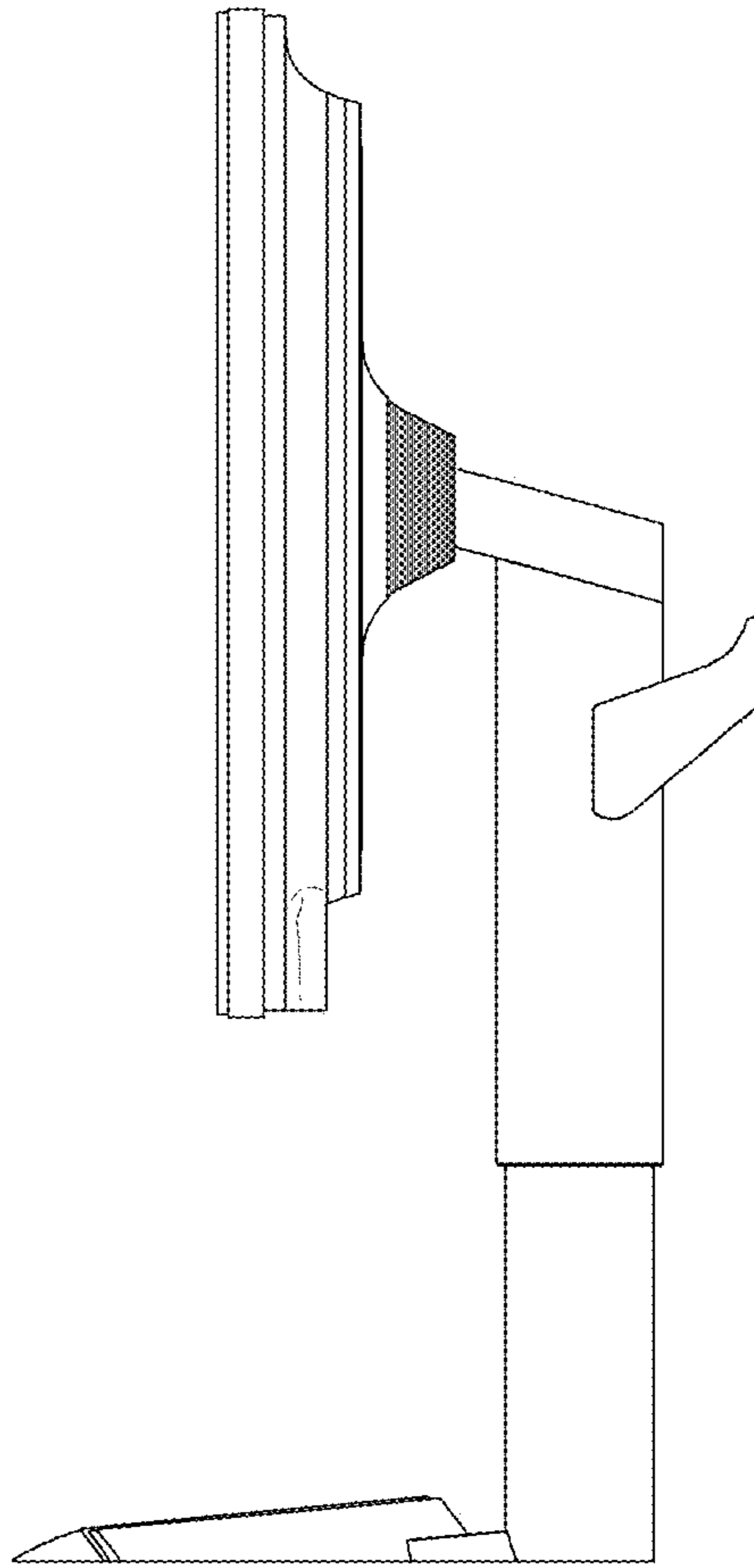
1.4



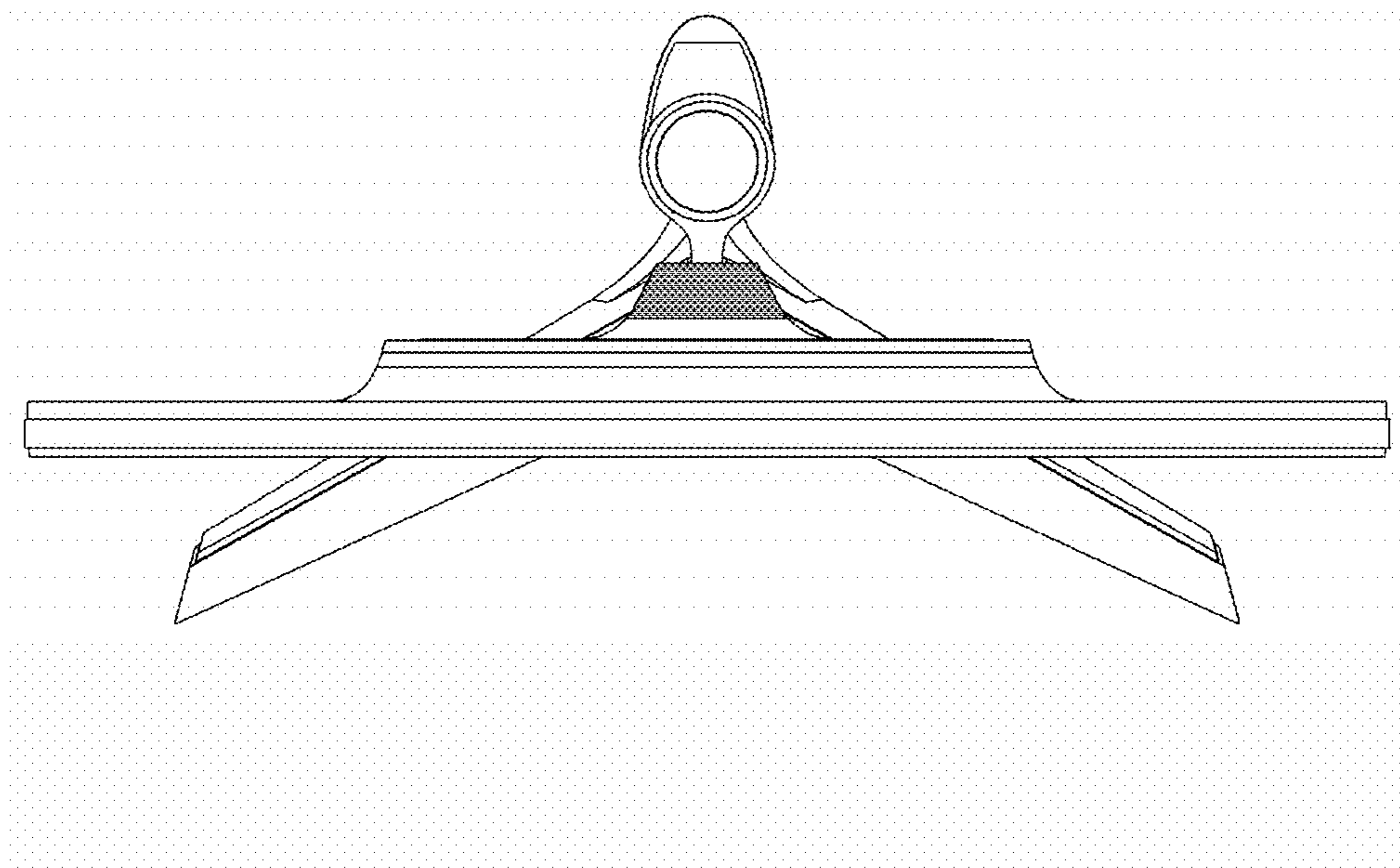
1.5



1.6



1.7



1.8

