



US00D900817S

(12) **United States Design Patent** (10) **Patent No.:** **US D900,817 S**
Ryu et al. (45) **Date of Patent:** **** *Nov. 3, 2020**

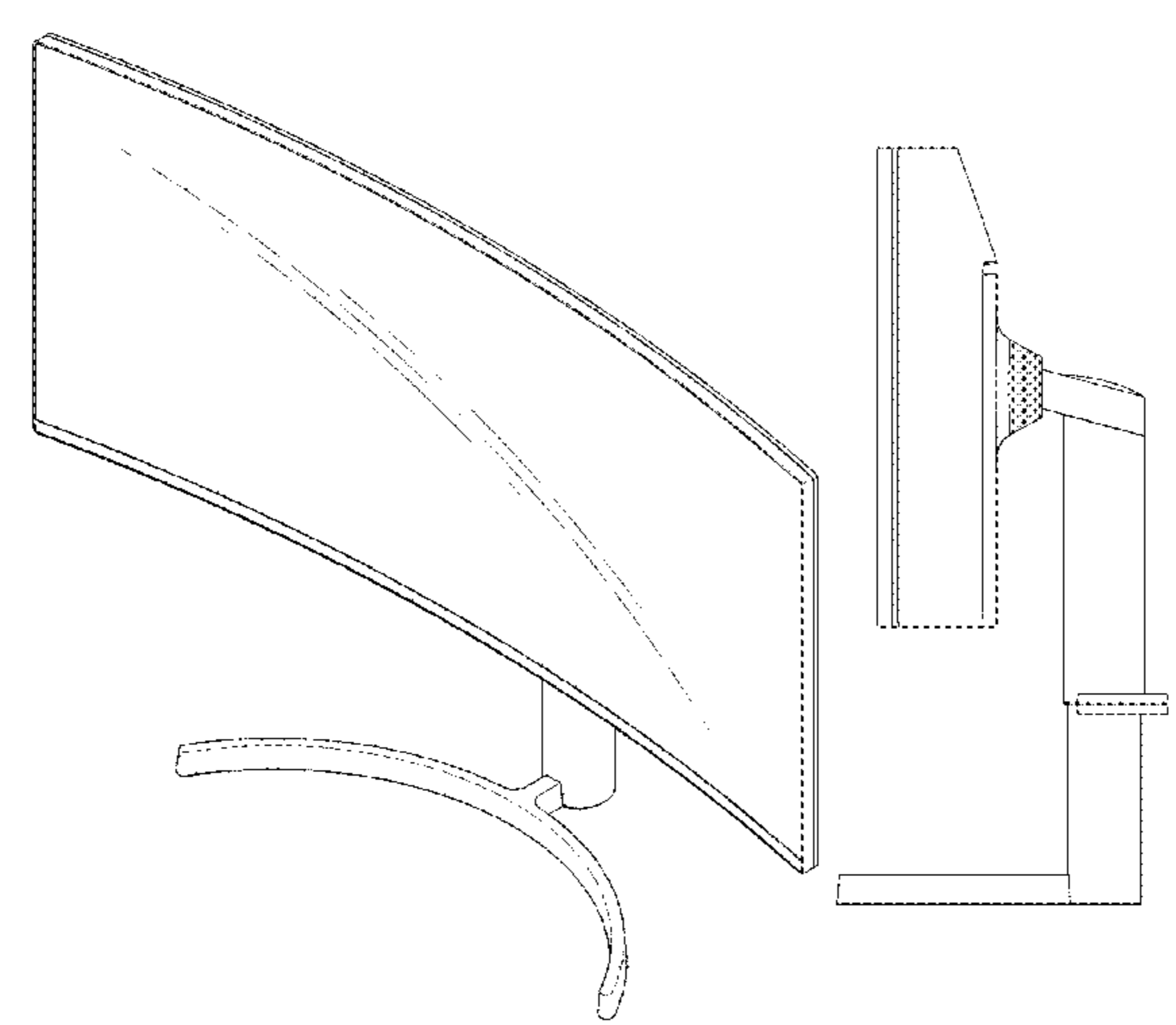
(54) **MONITOR FOR COMPUTER**
(71) Applicant: **LG ELECTRONICS INC.**, Seoul (KR)
(72) Inventors: **Daihyung Ryu**, Seoul (KR); **Hyeongyeol Kim**, Seoul (KR)
(73) Assignee: **LG ELECTRONICS INC.**, Seoul (KR)
(*) Notice: This patent is subject to a terminal disclaimer.
(**) Term: **15 Years**
(21) Appl. No.: **35/506,761**
(22) Filed: **Nov. 15, 2018**
(80) **Hague Agreement Data**
Int. Filing Date: **Nov. 15, 2018**
Int. Reg. No.: **DM/200263**
Int. Reg. Date: **Nov. 15, 2018**
Int. Reg. Pub. Date: **May 17, 2019**
(30) **Foreign Application Priority Data**
May 18, 2018 (KR) 30-2018-0023222
(51) **LOC (12) Cl.** **14-02**
(52) **U.S. Cl.**
USPC **D14/374**
(58) **Field of Classification Search**
USPC D14/125-134, 136, 159, 239, 336, D14/339-341, 371, 373-374, 375, 448, D14/450; D21/329, 332, 515
CPC G06F 1/16; G06F 1/1601; G06F 1/1637; H04N 5/64; H05K 5/0204; H05K 5/0017; H05K 5/0217
See application file for complete search history.

(56) **References Cited**
U.S. PATENT DOCUMENTS
D625,302 S * 10/2010 Kasuga D14/239
D638,022 S * 5/2011 Kasuga D14/239
D760,678 S * 7/2016 Cho D14/126
D774,482 S * 12/2016 Hong D14/126
(Continued)
FOREIGN PATENT DOCUMENTS
JP D1639675 * 8/2019
WO D200238-006 * 5/2019
(Continued)
OTHER PUBLICATIONS
LG 49WL95C-W, announced Feb. 2019 [online], [retrieved Dec. 22, 2019]. Available from Internet, URL: <https://www.lg.com/us/monitors/lg-49WL95C-W-ultrawide-monitor> (Year: 2019).*
(Continued)

Primary Examiner — Dana K Weiland
(74) *Attorney, Agent, or Firm* — Birch, Stewart, Kolasch & Birch, LLP

(57) **CLAIM**
The ornamental design for a monitor for computer, as shown and described.

DESCRIPTION
1. Monitor for computer
1.1 is a front perspective view of a monitor for computer showing the new design;
1.2 is a rear perspective view thereof;
1.3 is a front view thereof;
1.4 is a rear view thereof;
1.5 is a left side view thereof;
1.6 is a right side view thereof;
(Continued)



1.7 is a top view thereof; and
1.8 is a bottom view thereof.

The broken lines shown in the drawings depict portions of the monitor for computer that form no part of the claimed design.

1 Claim, 8 Drawing Sheets

D869,414 S *	12/2019	Kim	D14/126
D869,415 S *	12/2019	Jang	D14/126
D870,728 S *	12/2019	Kim	D14/374
D871,406 S *	12/2019	Kim	D14/374
D872,702 S *	1/2020	Jang	D14/126
D873,826 S *	1/2020	Yang	D14/374
2006/0076463 A1 *	4/2006	Drew	F16M 11/041 248/121
2014/0321039 A1 *	10/2014	Quijano	G06F 1/1601 361/679.22

(56)

References Cited

U.S. PATENT DOCUMENTS

D791,131 S *	7/2017	Oh	D14/374
D797,737 S *	9/2017	Won	D14/374
D816,672 S *	5/2018	Jung	D14/374
D818,450 S *	5/2018	Lee	D14/126
D818,468 S *	5/2018	Jung	D14/374
D819,614 S *	6/2018	Lee	D14/239
D826,200 S *	8/2018	Kim	D14/126
D827,644 S *	9/2018	Kim	D14/377
D828,837 S *	9/2018	Kim	D14/374
D835,593 S *	12/2018	Shin	D14/126
D836,584 S *	12/2018	Kim	D14/126
D839,248 S *	1/2019	Hwang	D14/239
D854,540 S *	7/2019	Kim	D14/336
D860,962 S *	9/2019	Lee	D14/126
D863,241 S *	10/2019	Lee	D14/126
D866,494 S *	11/2019	Kim	D14/126

FOREIGN PATENT DOCUMENTS

WO	D200238-007	*	5/2019
WO	D200238-008	*	5/2019
WO	D200264-001	*	5/2019

OTHER PUBLICATIONS

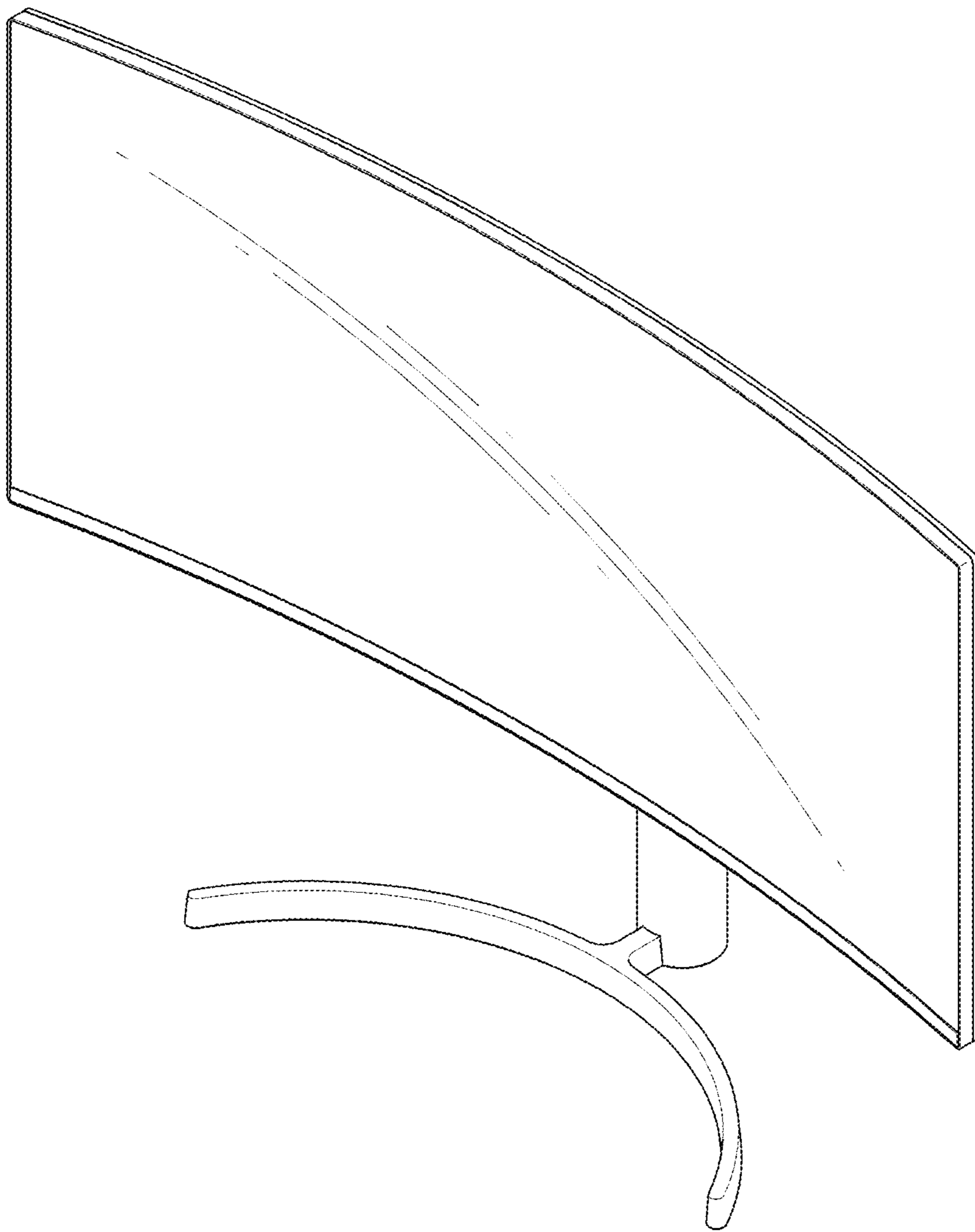
LG 32UL950-W, announced Dec. 2018 [online], [retrieved Dec. 22, 2019]. Available from Internet, URL: <<https://www.lg.com/us/monitors/lg-32UL950-W-4k-uhd-led-monitor#>> (Year: 2018).*

LG 34WK95U-W, announced Mar. 2019 [online], [retrieved Dec. 22, 2019]. Available from Internet, URL: <<https://www.lg.com/us/monitors/lg-34WK95U-W-ultrawide-monitor#>> (Year: 2019).*

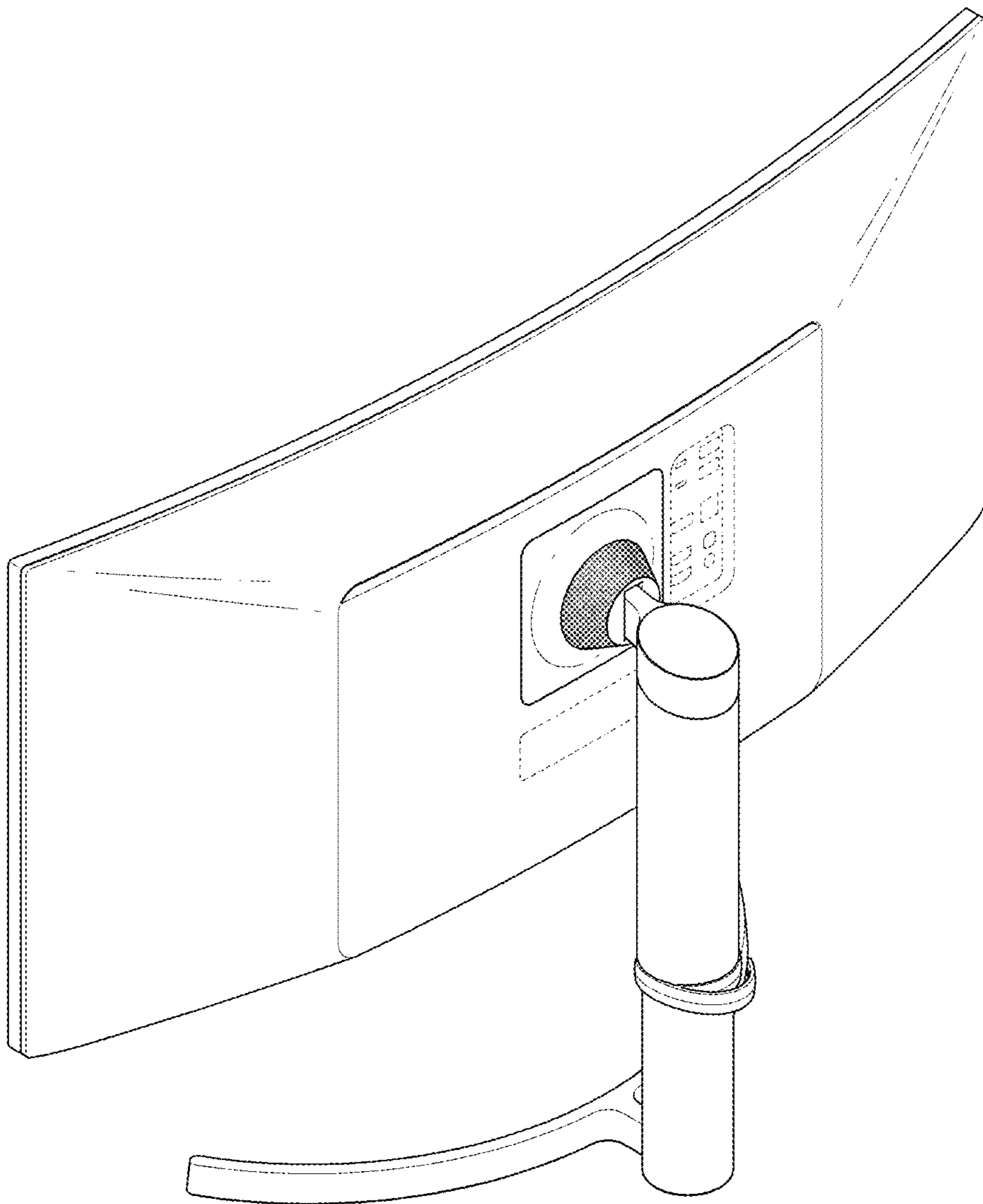
LG 34WN80C-B, announced 2019 [online], [retrieved Dec. 22, 2019]. Available from Internet, URL: <<https://www.lg.com/us/monitors/lg-34wn80c-b#>> (Year: 2019).*

* cited by examiner

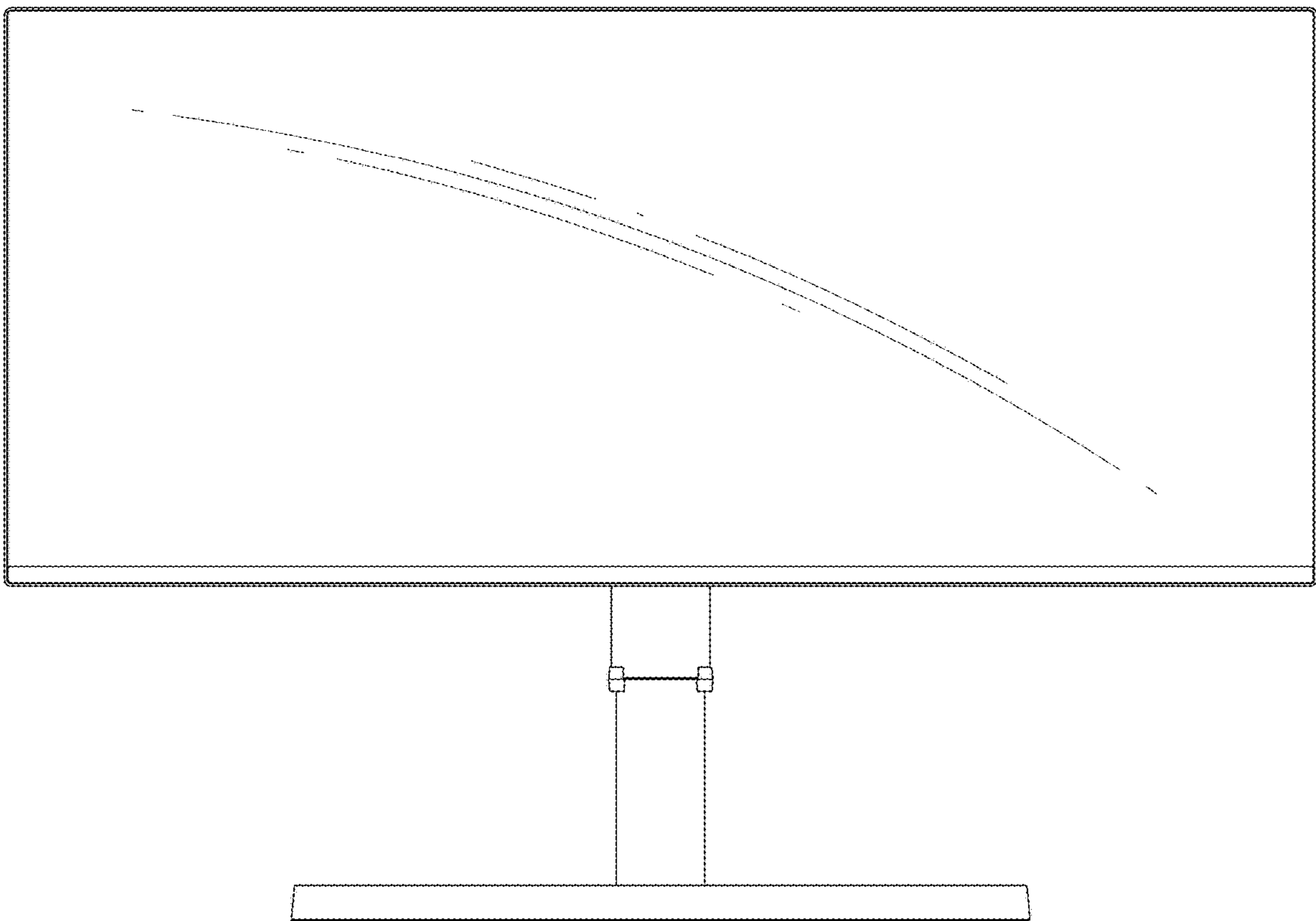
1.1



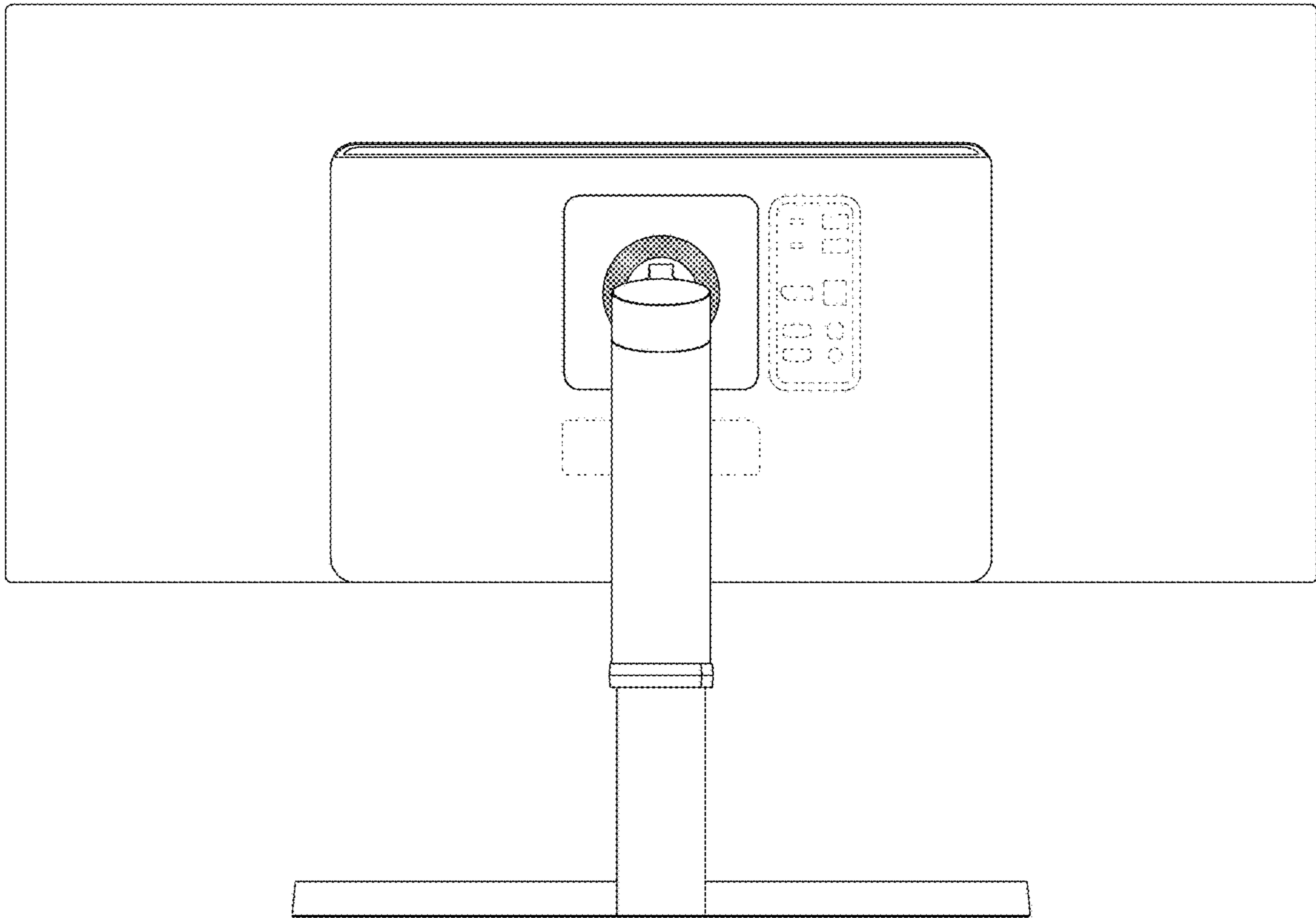
1.2



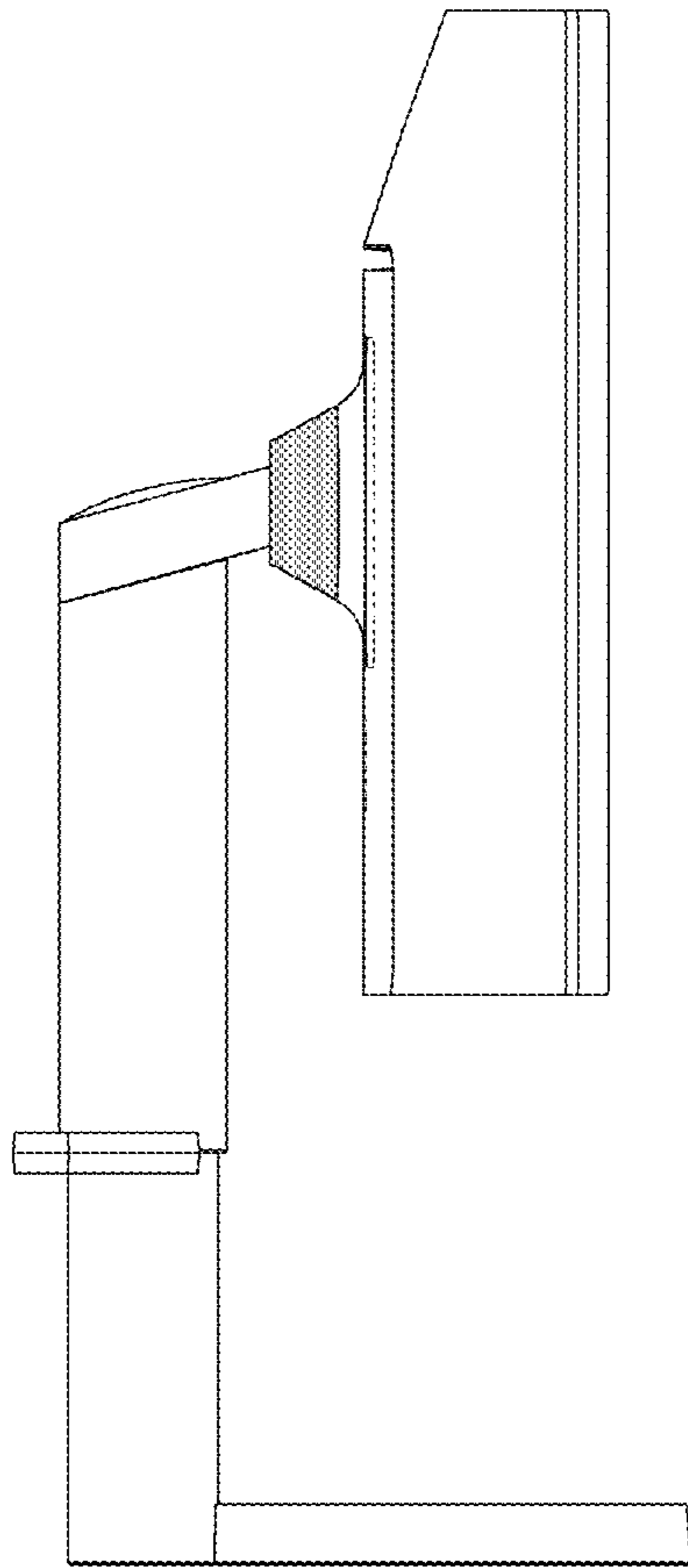
1.3



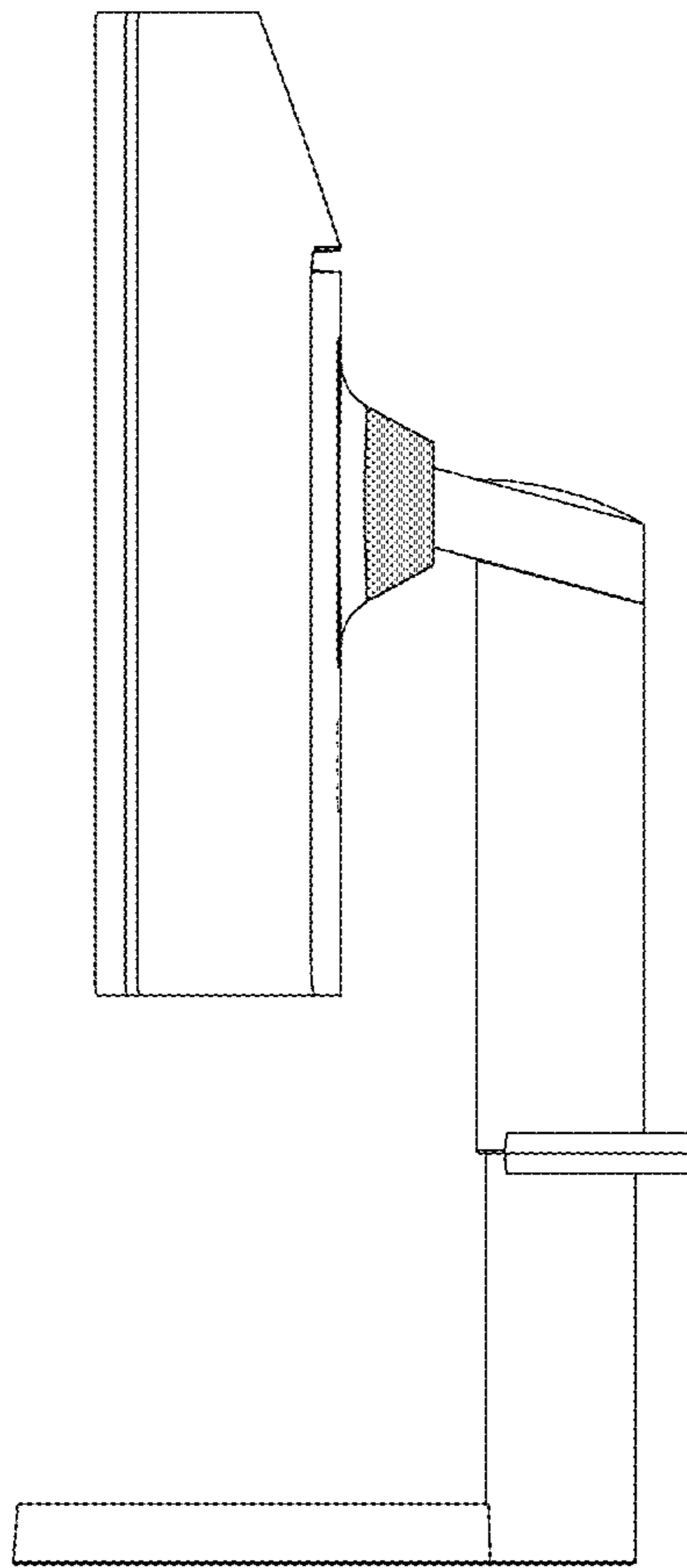
1.4



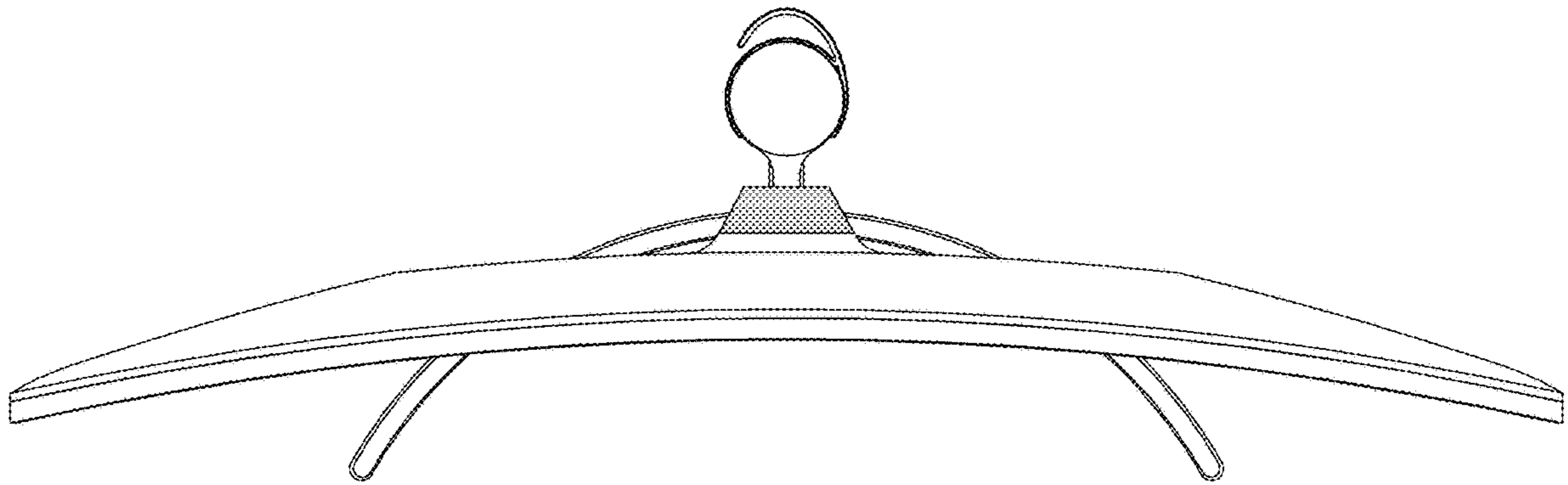
1.5



1.6



1.7



1.8

