



US00D900816S

(12) **United States Design Patent** (10) **Patent No.:** **US D900,816 S**
Kim et al. (45) **Date of Patent:** **** *Nov. 3, 2020**

(54) **MONITOR FOR COMPUTER**
(71) Applicant: **LG ELECTRONICS INC.**, Seoul (KR)

D760,678 S * 7/2016 Cho D14/126
D774,482 S * 12/2016 Hong D14/126
D791,131 S * 7/2017 Oh D14/374

(Continued)

(72) Inventors: **Hyeongyeol Kim**, Seoul (KR);
Daihyung Ryu, Seoul (KR)

FOREIGN PATENT DOCUMENTS

(73) Assignee: **LG Electronics Inc.**, Seoul (KR)

JP D1639675 * 8/2019
WO D200238-006 * 5/2019

(Continued)

(*) Notice: This patent is subject to a terminal disclaimer.

OTHER PUBLICATIONS

(**) Term: **15 Years**

LG 49WL95C-W, announced Feb. 2019 [online], [retrieved Dec. 22, 2019]. Available from Internet, URL: <<https://www.lg.com/us/monitors/lg-49WL95C-W-ultrawide-monitor>> (Year: 2019).*

(Continued)

(21) Appl. No.: **35/506,466**

(22) Filed: **Sep. 18, 2018**

(80) **Hague Agreement Data**

Int. Filing Date: **Sep. 18, 2018**
Int. Reg. No.: **DM/103069**
Int. Reg. Date: **Sep. 18, 2018**
Int. Reg. Pub. Date: **Mar. 22, 2019**

Primary Examiner — Dana K Weiland

(74) *Attorney, Agent, or Firm* — Birch, Stewart, Kolasch & Birch, LLP

(30) **Foreign Application Priority Data**

Mar. 21, 2018 (KR) 30-2018-0013516

(51) **LOC (12) Cl.** **14-02**

(52) **U.S. Cl.**
USPC **D14/374**

(58) **Field of Classification Search**
USPC D14/125-134, 136, 159, 239, 336,
D14/339-341, 371, 373-374, 375, 448,
D14/450; D21/329, 332, 515
CPC G06F 1/16; G06F 1/1601; G06F 1/1637;
H04N 5/64; H05K 5/0204; H05K 5/0017;
H05K 5/0217
See application file for complete search history.

(57) **CLAIM**

The ornamental design for a monitor for computer, as shown and described.

DESCRIPTION

1. Monitor for computer
1.1 is a front perspective view of a monitor for computer showing the new design;
1.2 is a rear perspective view thereof;
1.3 is a front view thereof;
1.4 is a rear view thereof;
1.5 is a left side view thereof;
1.6 is a right side view thereof;
1.7 is a top view thereof; and
1.8 is a bottom view thereof.

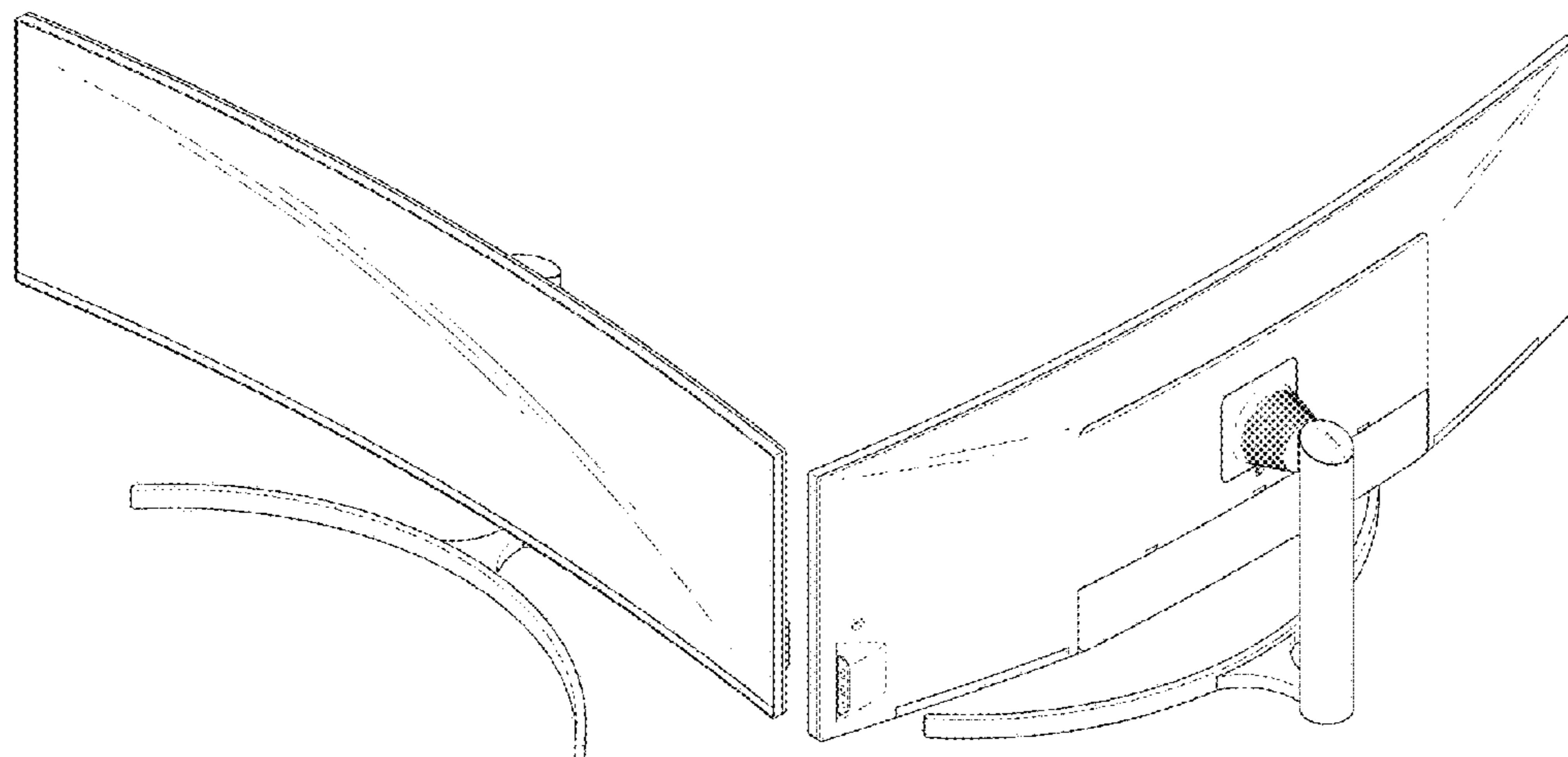
The broken lines shown in the drawings depict portions of the monitor for computer that form no part of the claimed design.

(56) **References Cited**

U.S. PATENT DOCUMENTS

D625,302 S * 10/2010 Kasuga D14/239
D638,022 S * 5/2011 Kasuga D14/239

1 Claim, 4 Drawing Sheets



(56)

References Cited

U.S. PATENT DOCUMENTS

D797,737 S * 9/2017 Won D14/374
 D816,672 S * 5/2018 Jung D14/374
 D818,450 S * 5/2018 Lee D14/126
 D818,468 S * 5/2018 Jung D14/374
 D819,614 S * 6/2018 Lee D14/239
 D826,200 S * 8/2018 Kim D14/126
 D827,644 S * 9/2018 Kim D14/377
 D828,837 S * 9/2018 Kim D14/374
 D835,593 S * 12/2018 Shin D14/126
 D836,584 S * 12/2018 Kim D14/126
 D839,248 S * 1/2019 Hwang D14/239
 D854,540 S * 7/2019 Kim D14/336
 D860,962 S * 9/2019 Lee D14/126
 D863,241 S * 10/2019 Lee D14/126
 D866,494 S * 11/2019 Kim D14/126
 D869,414 S * 12/2019 Kim D14/126
 D869,415 S * 12/2019 Jang D14/126
 D870,728 S * 12/2019 Kim D14/374
 D871,406 S * 12/2019 Kim D14/374
 D872,702 S * 1/2020 Jang D14/126

D873,826 S * 1/2020 Yang D14/374
 2006/0076463 A1 * 4/2006 Drew F16M 11/041
 248/121
 2014/0321039 A1 * 10/2014 Quijano G06F 1/1601
 361/679.22

FOREIGN PATENT DOCUMENTS

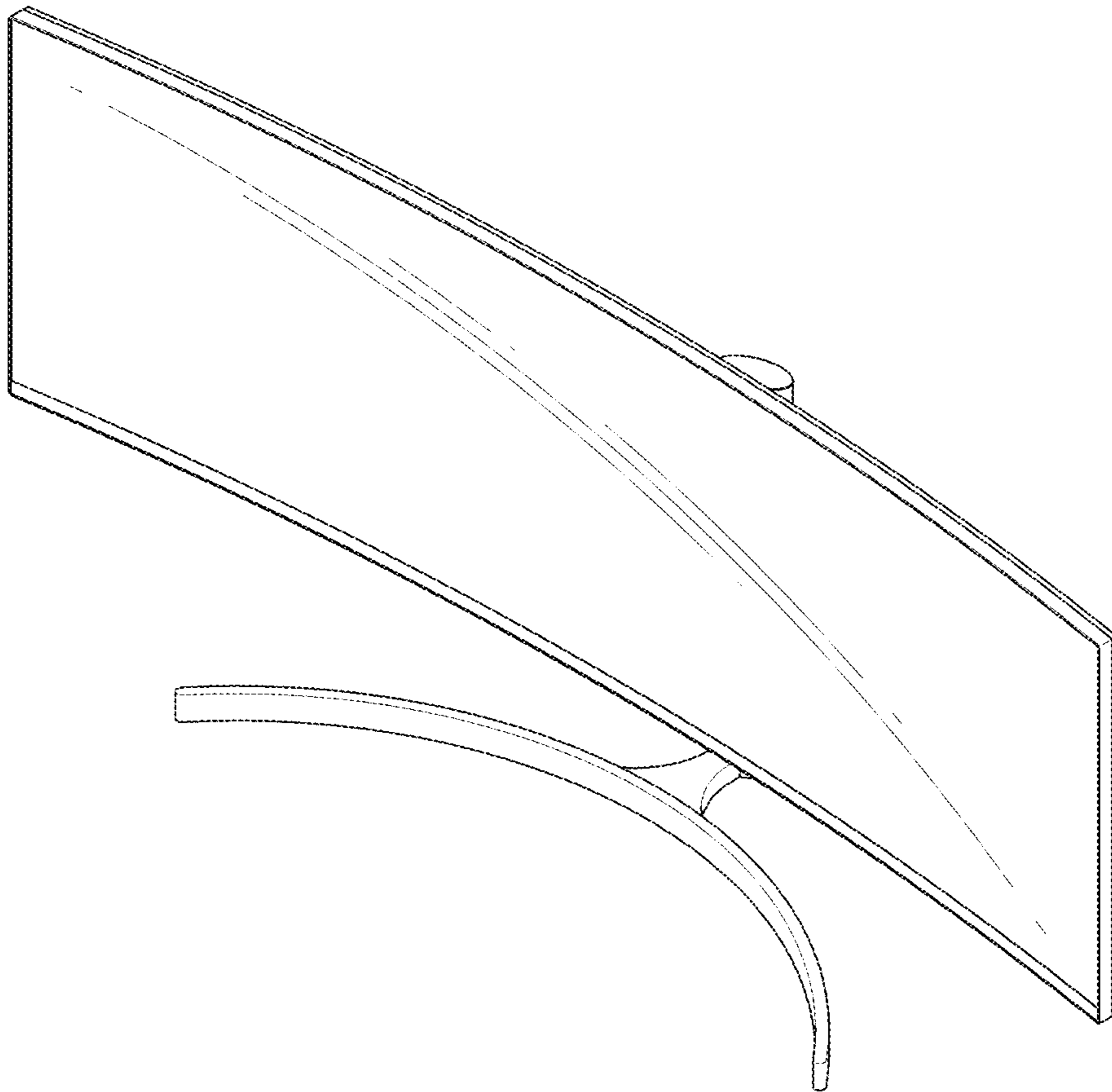
WO D200238-007 * 5/2019
 WO D200238-008 * 5/2019
 WO D200264-001 * 5/2019

OTHER PUBLICATIONS

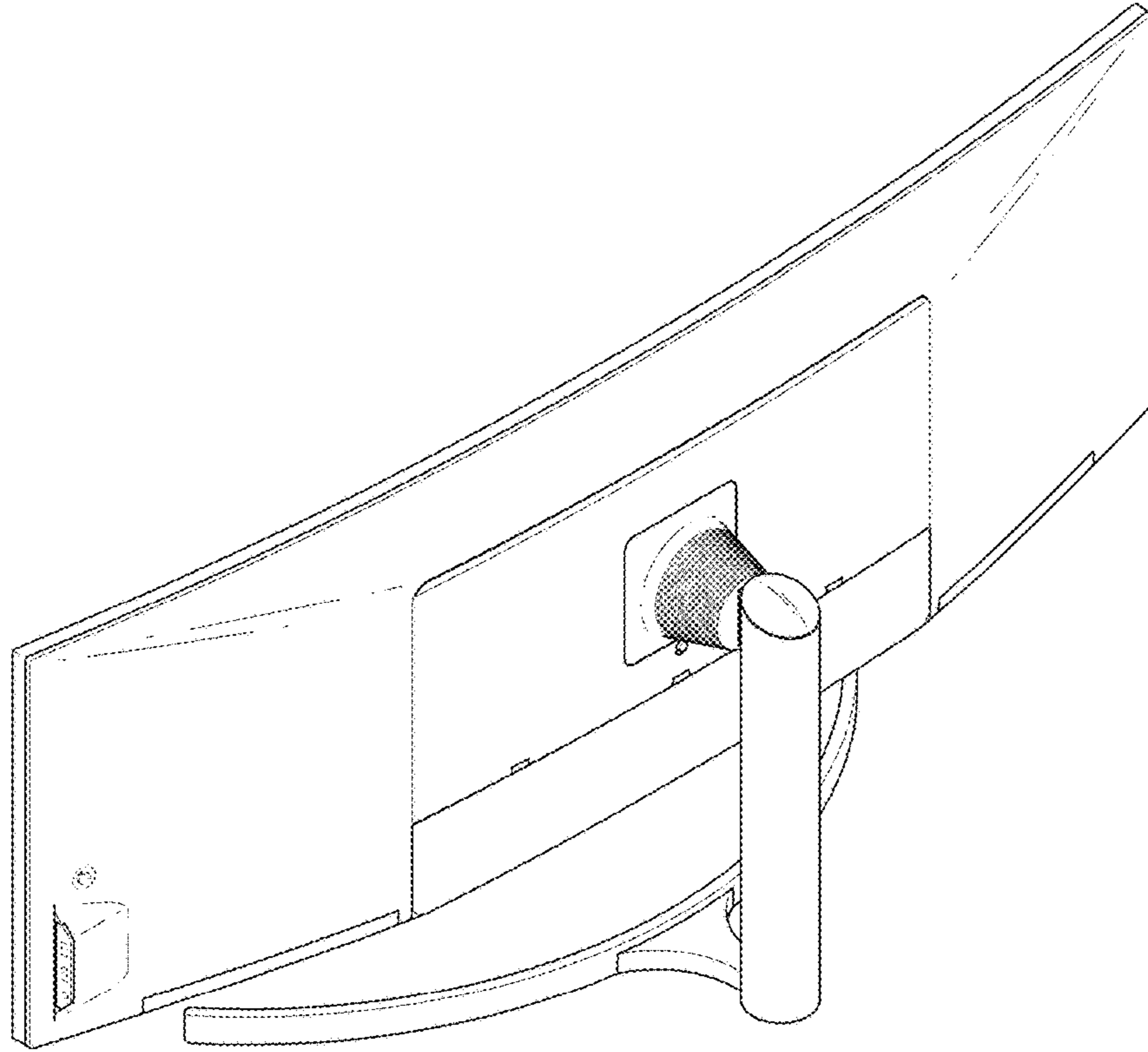
LG 32UL950-W, announced Dec. 2018 [online], [retrieved Dec. 22, 2019]. Available from Internet, URL: <<https://www.lg.com/us/monitors/lg-32UL950-W-4k-uhd-led-monitor#>> (Year: 2018).*
 LG 34WK95U-W, announced Mar. 2019 [online], [retrieved Dec. 22, 2019]. Available from Internet, URL: <<https://www.lg.com/us/monitors/lg-34WK95U-W-ultrawide-monitor#>> (Year: 2019).*
 LG 34WN80C-B, announced 2019 [online], [retrieved Dec. 22, 2019]. Available from Internet, URL: <<https://www.lg.com/us/monitors/lg-34wn80c-b#>> (Year: 2019).*

* cited by examiner

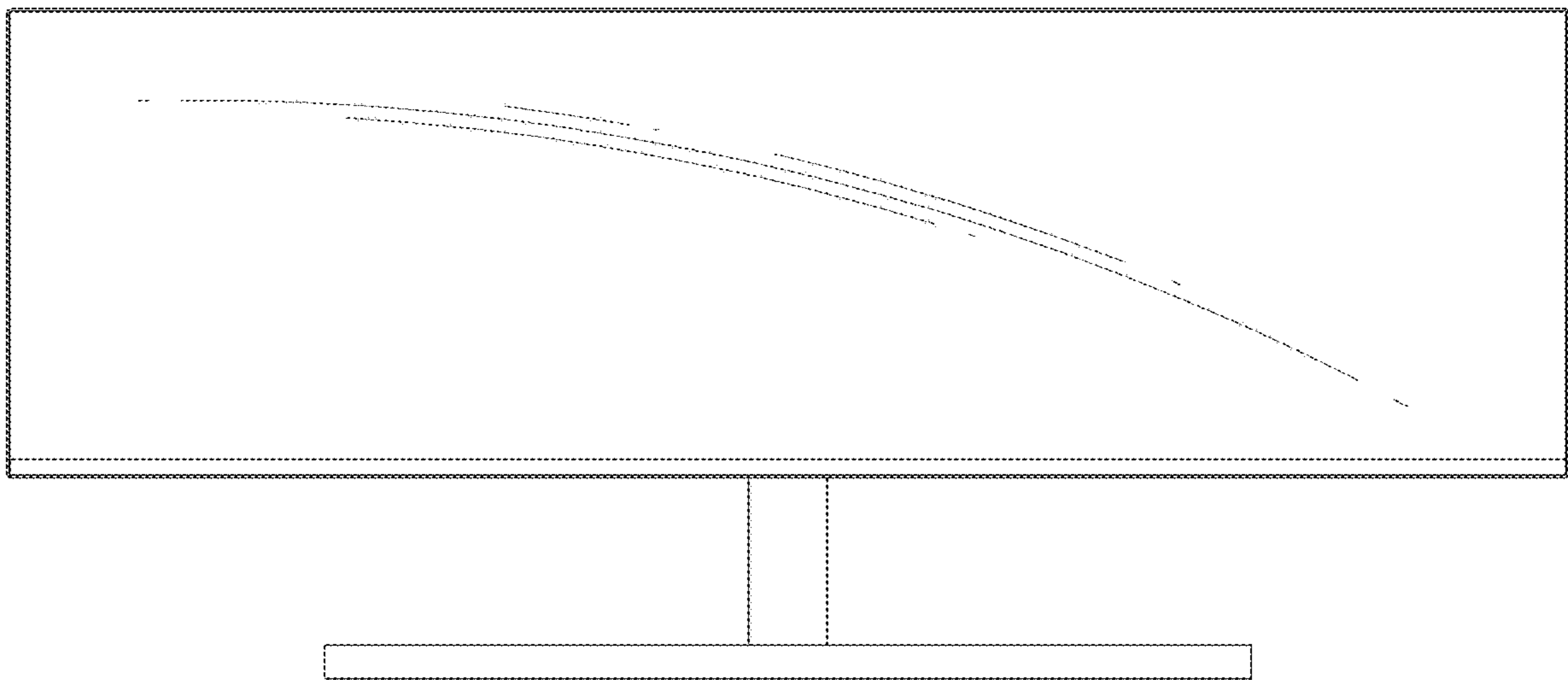
1.1



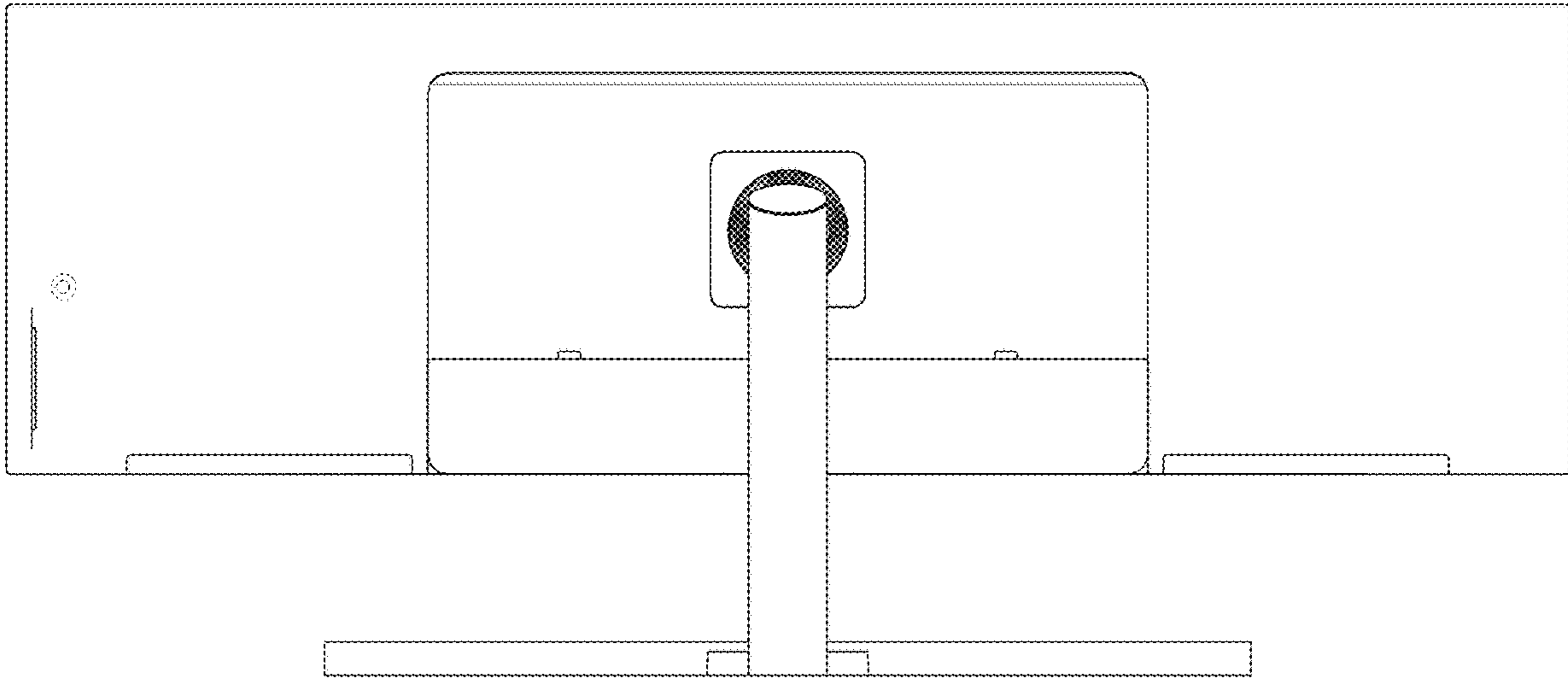
1.2



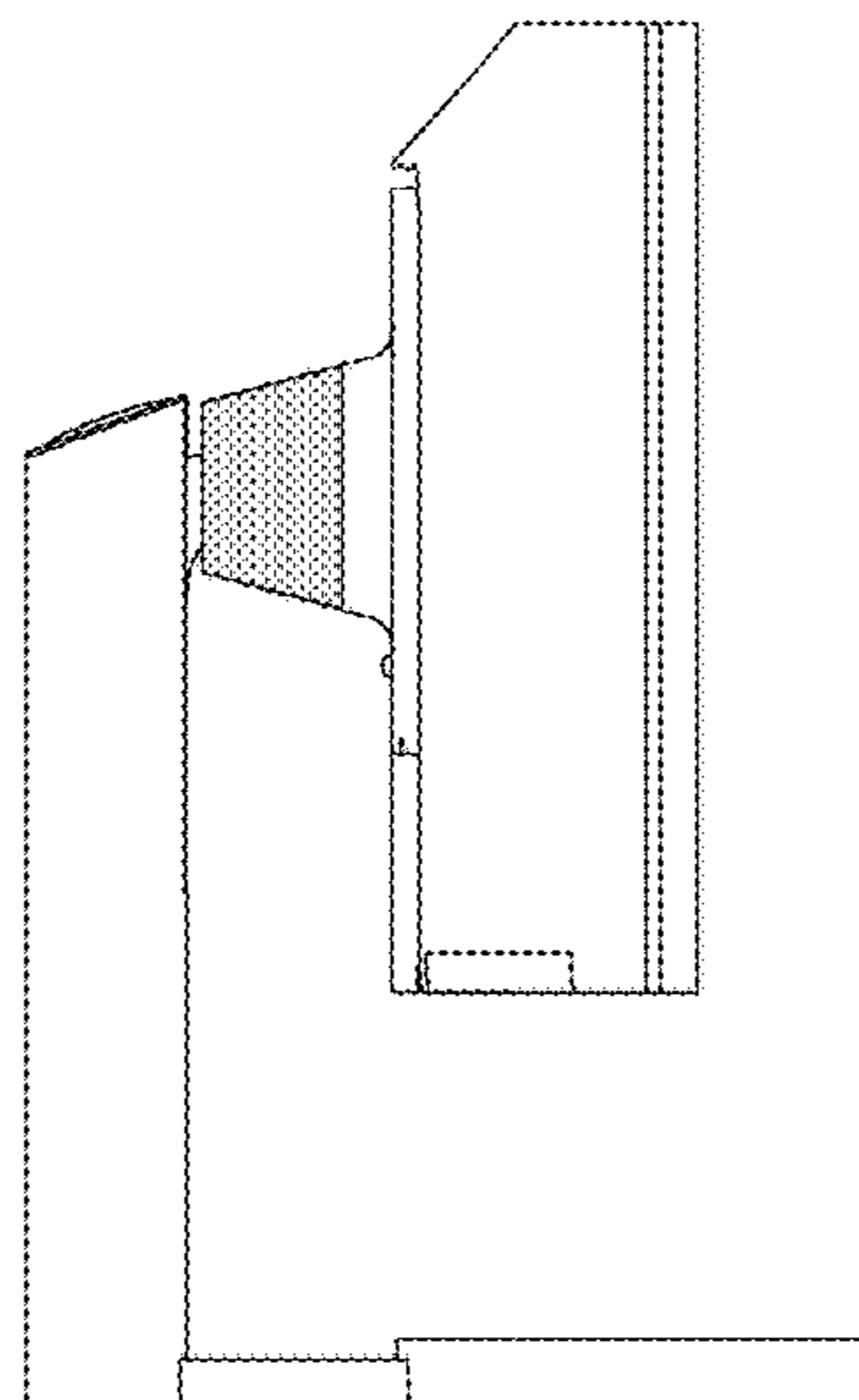
1.3



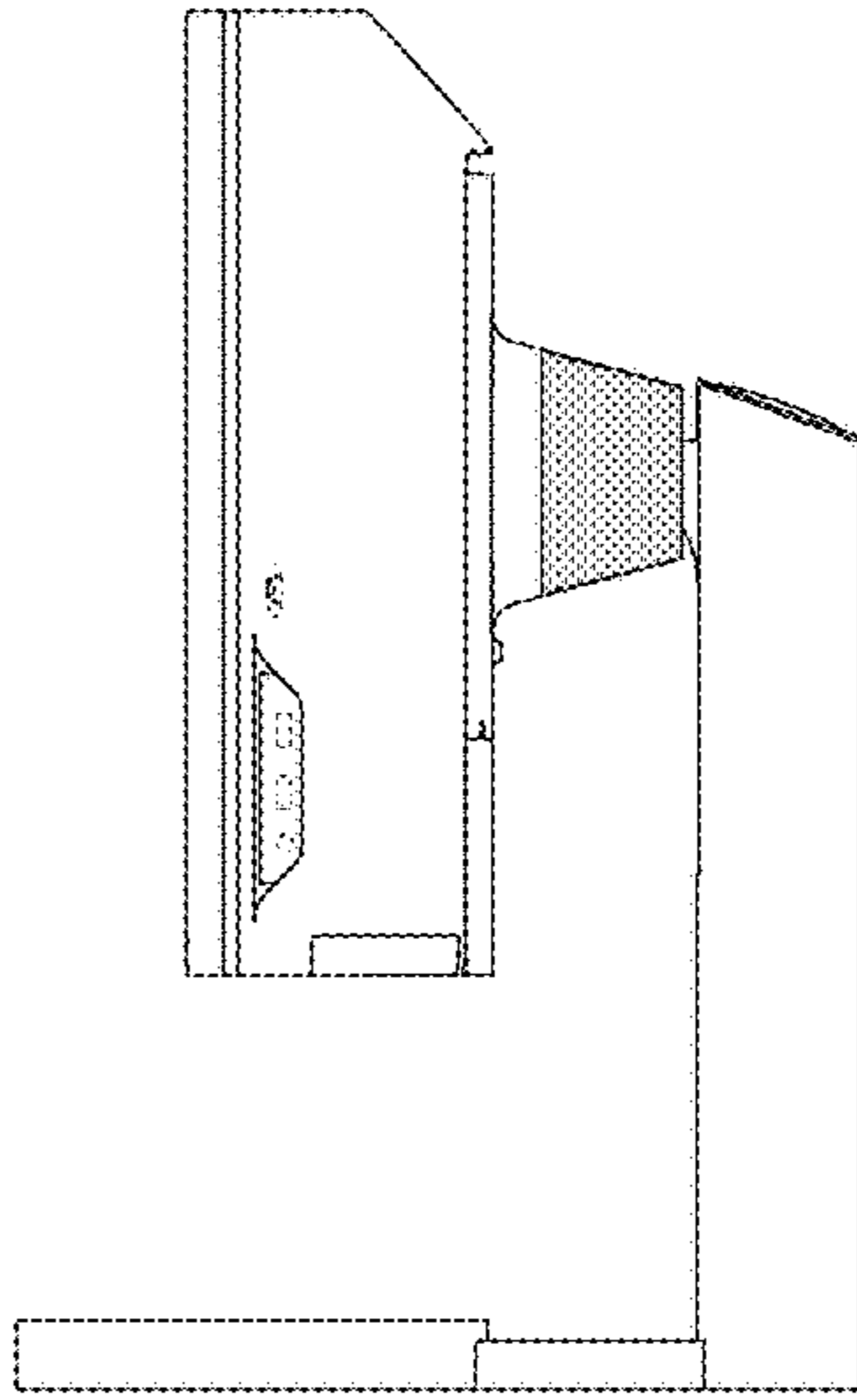
1.4



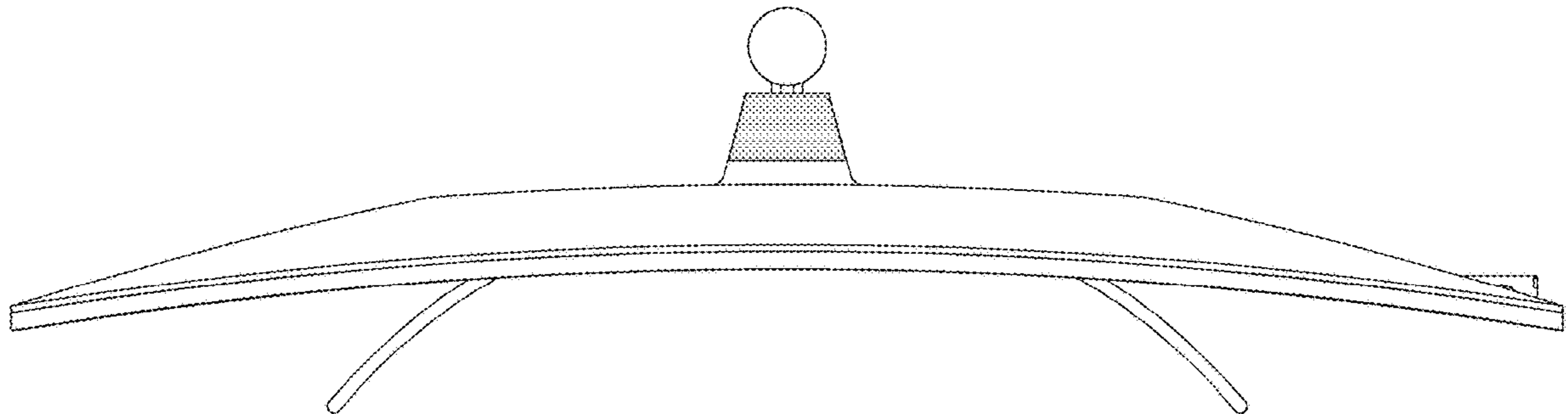
1.5



1.6



1.7



1.8

