



US00D900815S

(12) **United States Design Patent**
Kang et al.

(10) **Patent No.:** **US D900,815 S**
(45) **Date of Patent:** **** Nov. 3, 2020**

(54) **MONITOR FOR COMPUTER**
(71) Applicant: **LG ELECTRONICS INC.**, Seoul (KR)
(72) Inventors: **Seokkyu Kang**, Seoul (KR); **Yeonjin Kim**, Seoul (KR); **Daihyung Ryu**, Seoul (KR)
(73) Assignee: **LG ELECTRONICS INC.**, Seoul (KR)
(**) Term: **15 Years**
(21) Appl. No.: **35/507,672**
(22) Filed: **May 8, 2019**
(80) **Hague Agreement Data**
Int. Filing Date: **May 8, 2019**
Int. Reg. No.: **DM/203660**
Int. Reg. Date: **May 8, 2019**
Int. Reg. Pub. Date: **Nov. 8, 2019**

D850,441 S * 6/2019 Lee D14/336
D858,473 S * 9/2019 Lee D14/126
D859,337 S * 9/2019 Lee D14/126
D872,085 S * 1/2020 Lee D14/374
D888,677 S * 6/2020 Ryu D14/126
D893,479 S * 8/2020 Ryu D14/126

OTHER PUBLICATIONS

Two screenshots: 27" UltraGear 4K UHD Nano IPS 1ms 144Hz G-Sync Compatible Gaming Monitor. Earliest date "6 months ago"; one page. Found online Sep. 3, 2020 at <https://www.lg.com/us/monitors/lg-27gn950-b-gaming-monitor> (Year: 2020).*

* cited by examiner

Primary Examiner — Robert M. Spear
(74) *Attorney, Agent, or Firm* — Birch, Stewart, Kolasch & Birch, LLP

(30) **Foreign Application Priority Data**
Nov. 20, 2018 (KR) 30-2018-0053763
(51) **LOC (12) Cl.** **14-02**
(52) **U.S. Cl.**
USPC **D14/371**
(58) **Field of Classification Search**
USPC D14/126, 239, 335, 336, 340, 371, 374, D14/375; D21/515
CPC G06F 1/1626; H04N 5/64; H04N 5/645; H05K 5/00; H05K 5/0204
See application file for complete search history.

(57) **CLAIM**

The ornamental design for a monitor for computer, as shown and described.

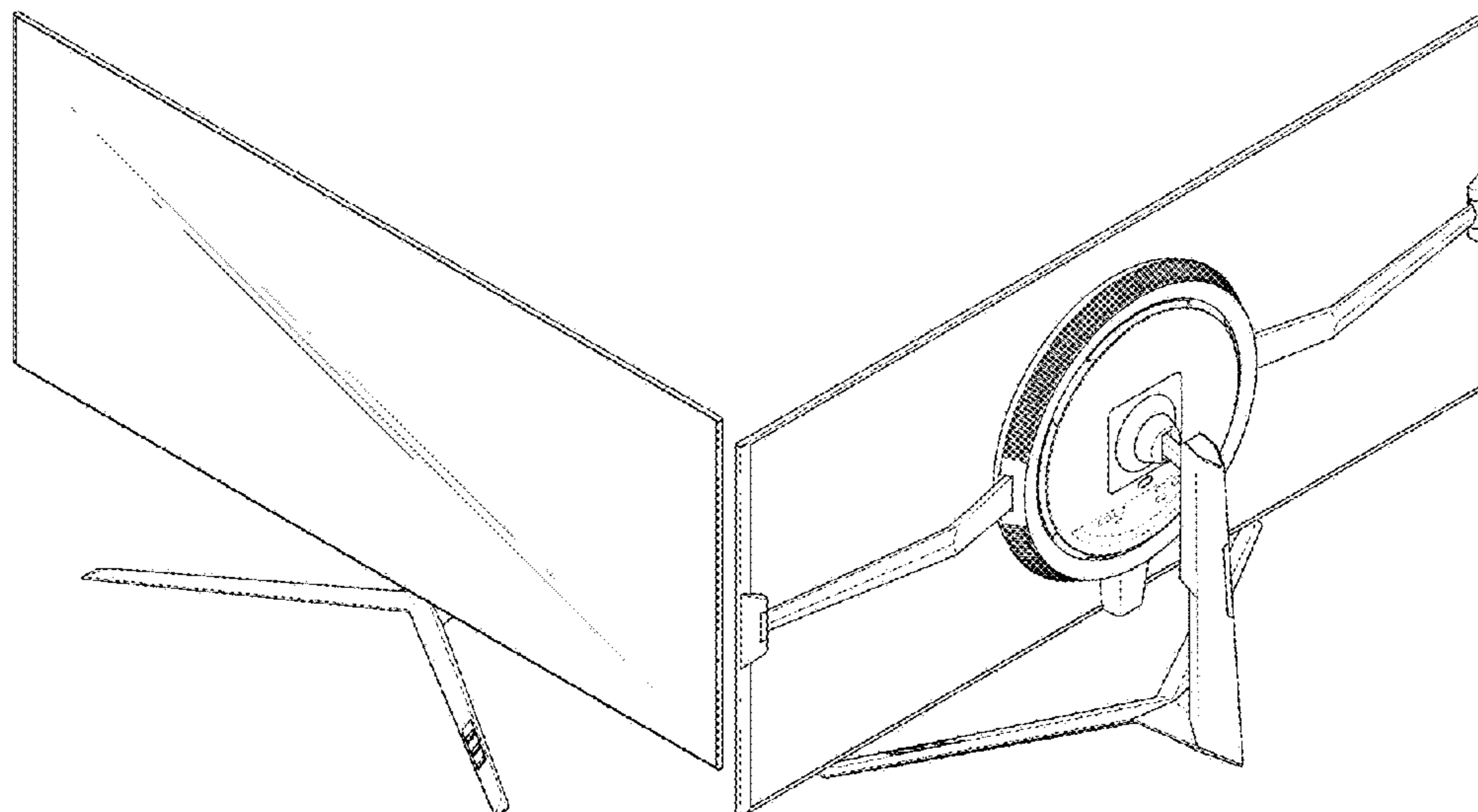
DESCRIPTION

- 1. Monitor for computer
- 1.1 : Perspective
- 1.2 : Rear perspective view
- 1.3 : Front
- 1.4 : Back
- 1.5 : Left
- 1.6 : Right
- 1.7 : Top
- 1.8 : Bottom

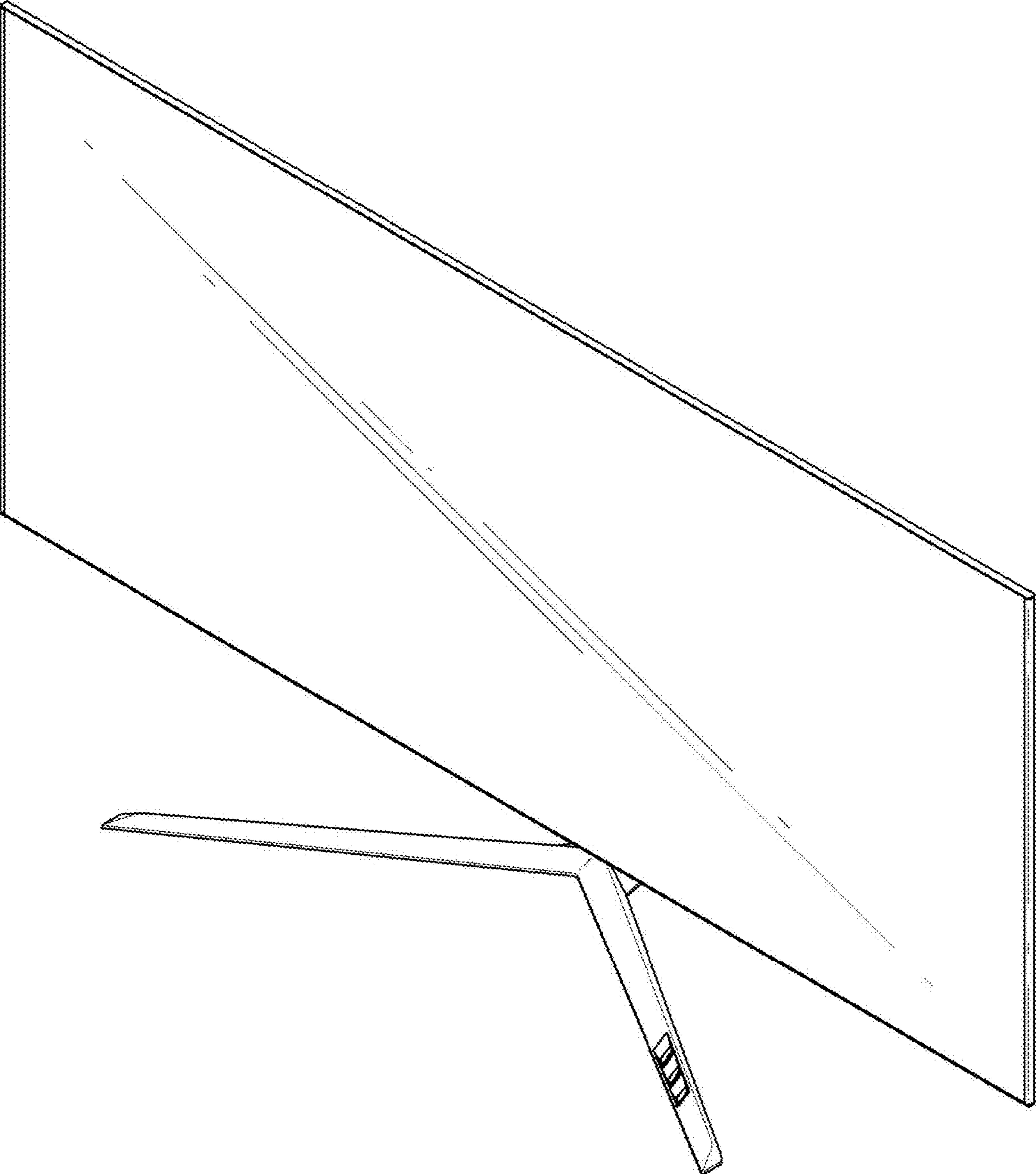
The broken lines indicate portions of the article that form no part of the claimed design.

(56) **References Cited**
U.S. PATENT DOCUMENTS
D758,983 S * 6/2016 Kim D14/126
D783,554 S * 4/2017 Kim D14/126

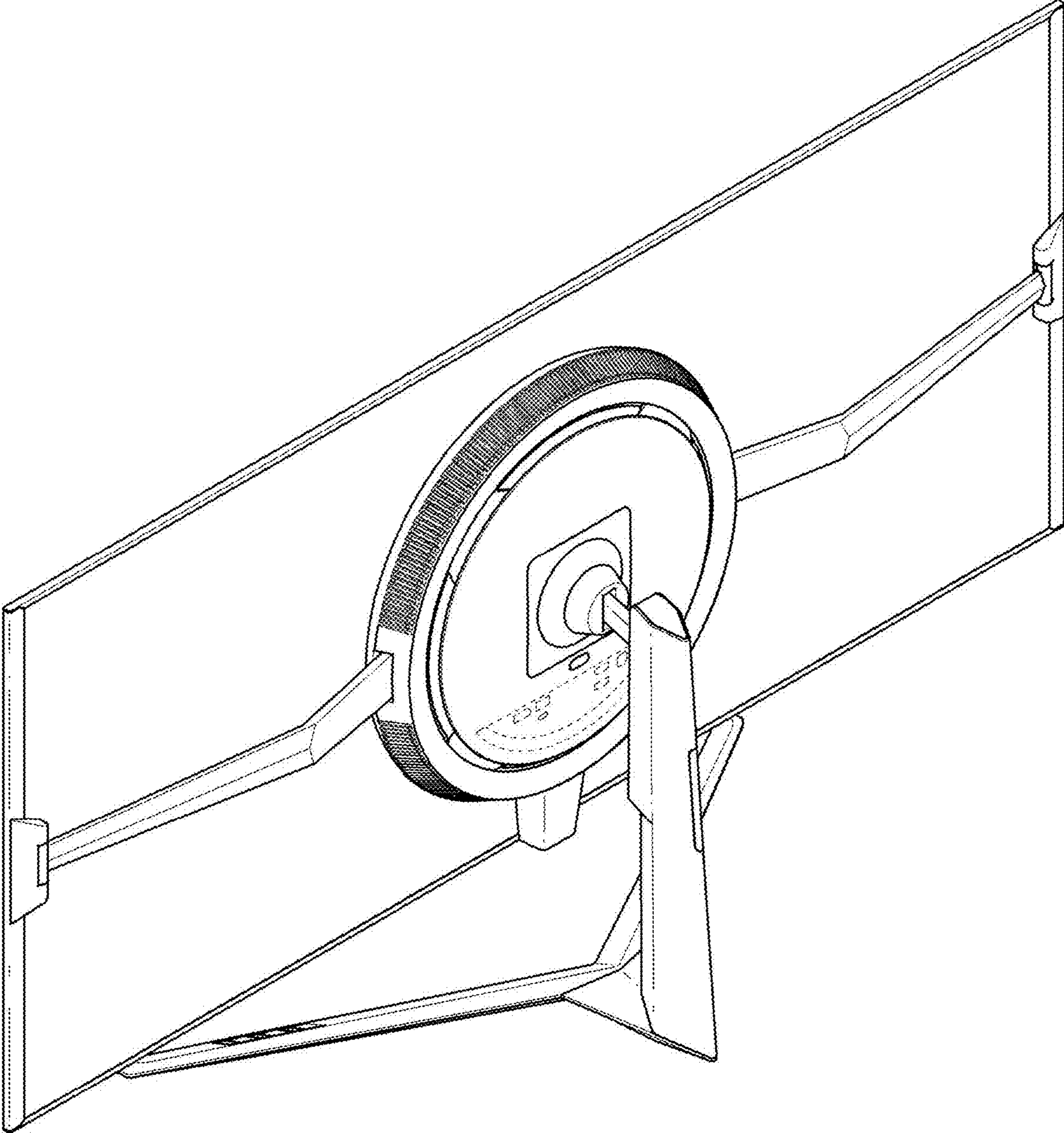
1 Claim, 8 Drawing Sheets



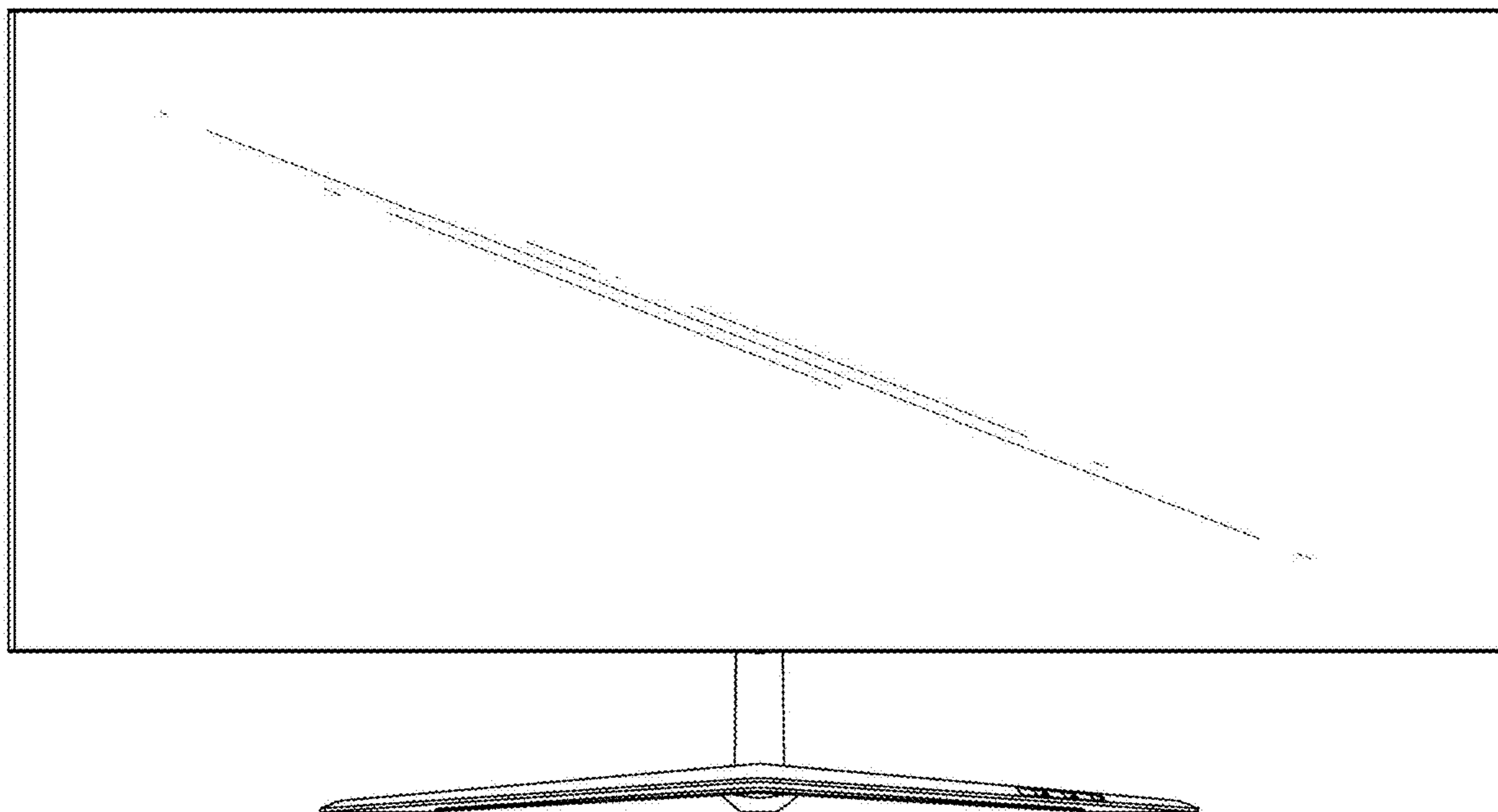
1.1



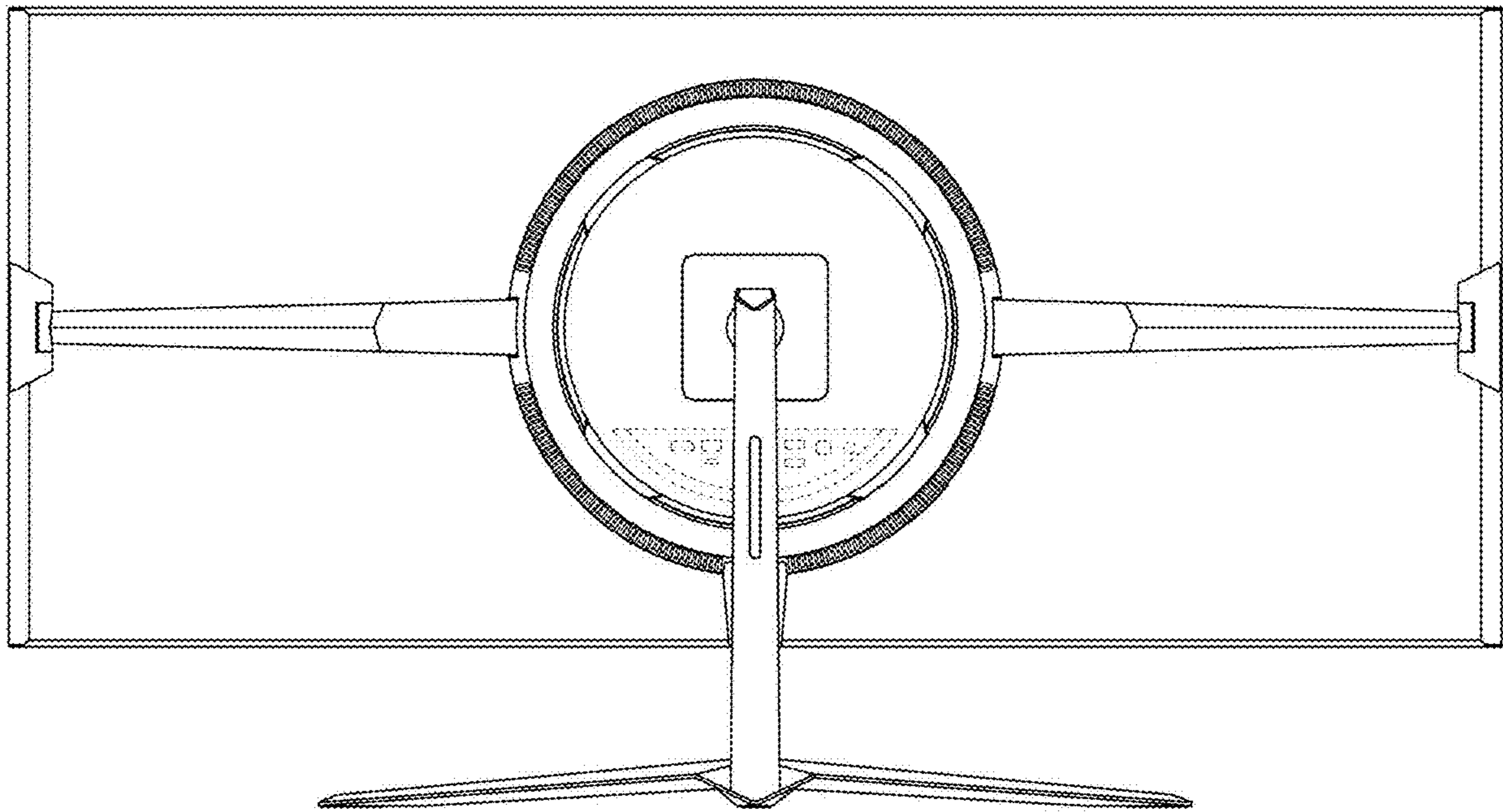
1.2



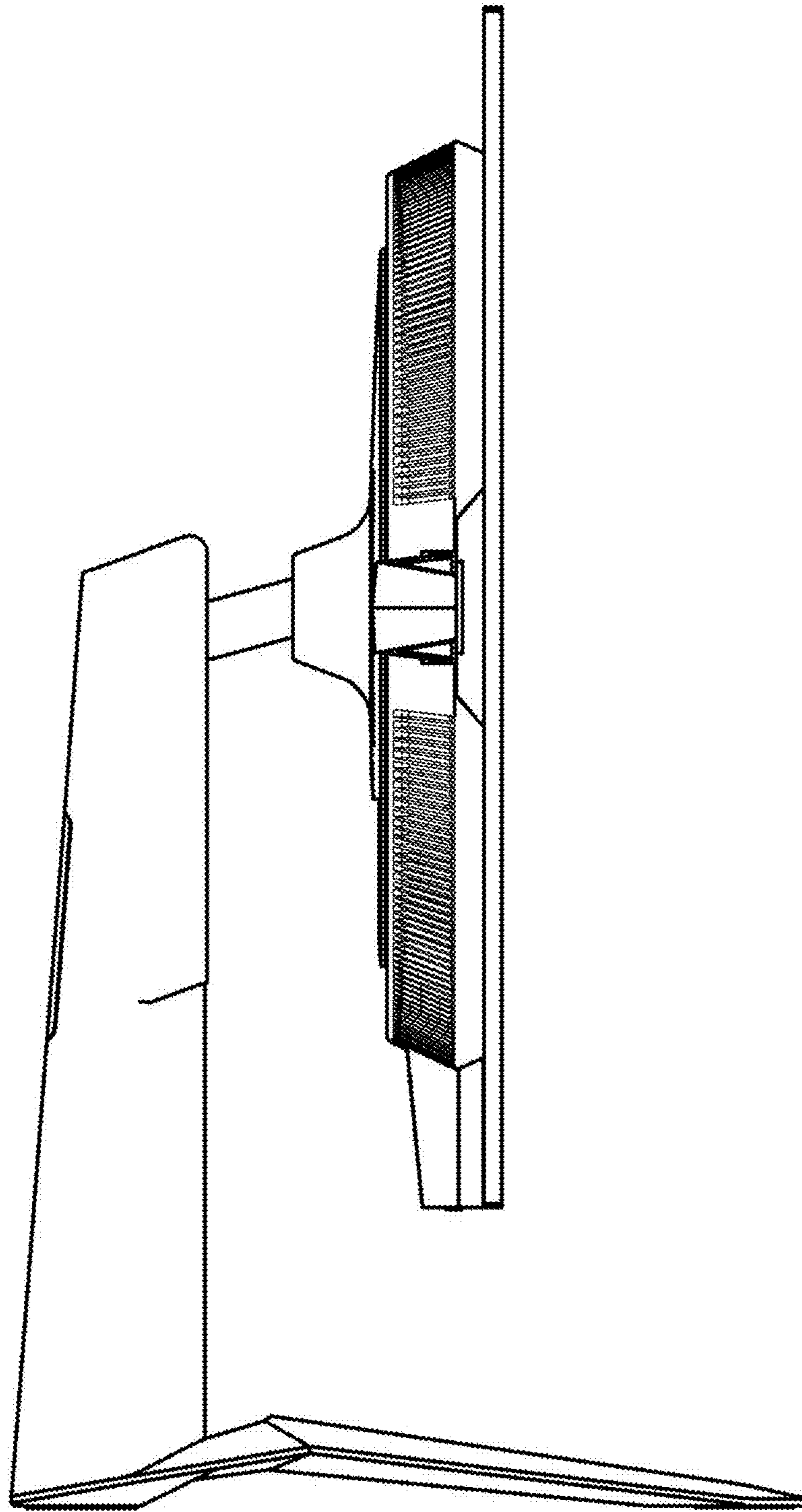
1.3



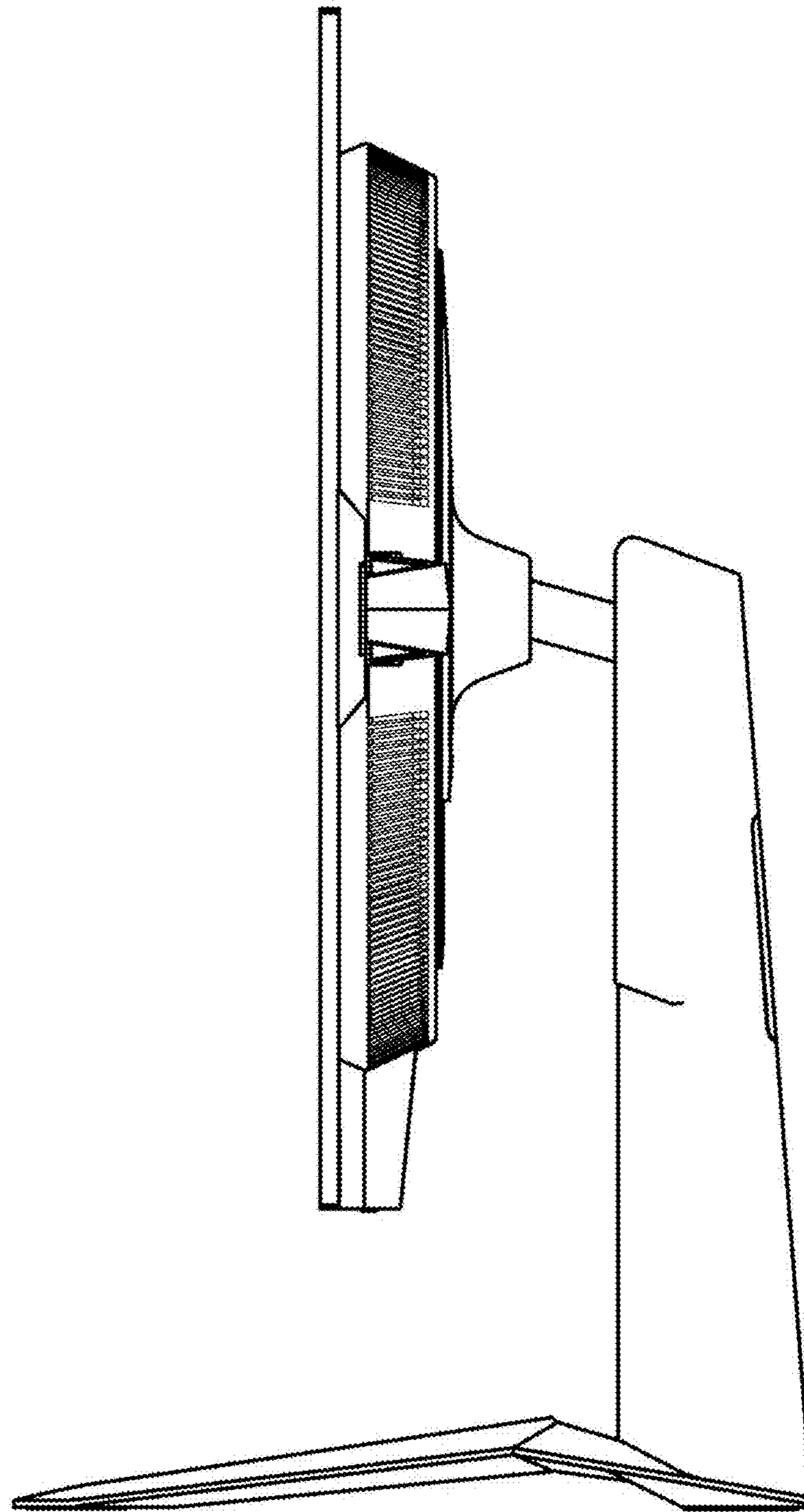
1.4



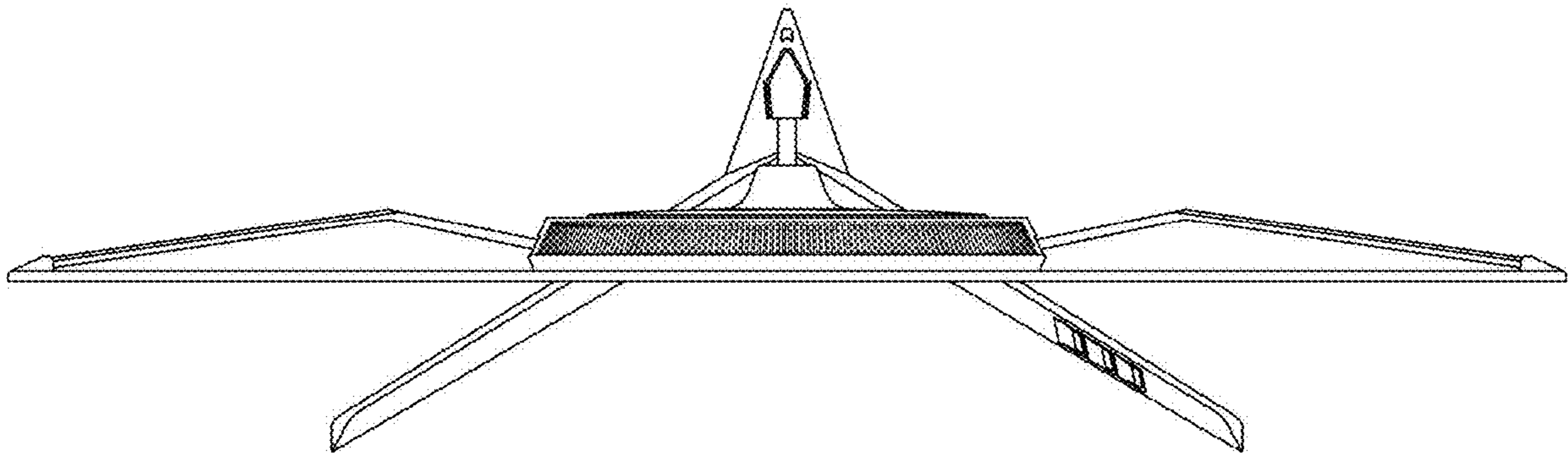
1.5



1.6



1.7



1.8

