



US00D900813S

(12) **United States Design Patent** (10) **Patent No.:** **US D900,813 S**
Akana et al. (45) **Date of Patent:** **** Nov. 3, 2020**

(54) **DISPLAY FOR ELECTRONIC DEVICE**

(22) Filed: **Oct. 20, 2017**

(71) Applicant: **Apple Inc.**, Cupertino, CA (US)

Related U.S. Application Data

(72) Inventors: **Jody Akana**, San Francisco, CA (US); **Bartley K. Andre**, Palo Alto, CA (US); **Shota Aoyagi**, San Francisco, CA (US); **Anthony Michael Ashcroft**, San Francisco, CA (US); **Jeremy Bataillou**, San Francisco, CA (US); **Daniel J. Coster**, San Francisco, CA (US); **Daniele De Iuliis**, San Francisco, CA (US); **Erik Geddes Pieter De Jong**, San Francisco, CA (US); **M. Evans Hankey**, San Francisco, CA (US); **Julian Hoenig**, San Francisco, CA (US); **Richard P. Howarth**, San Francisco, CA (US); **Jonathan P. Ive**, San Francisco, CA (US); **Peter Jon Kardassakis**, Mountain View, CA (US); **Duncan Robert Kerr**, San Francisco, CA (US); **Marc A. Newson**, London (GB); **Matthew Dean Rohrbach**, San Francisco, CA (US); **Fletcher Rothkopf**, Los Altos, CA (US); **Peter Russell-Clarke**, San Francisco, CA (US); **Benjamin Andrew Shaffer**, San Jose, CA (US); **Anna-Katrina Shedletsky**, Mountain View, CA (US); **Mikael Silvano**, San Francisco, CA (US); **Christopher J. Stringer**, Woodside, CA (US); **Katherine E. Tong**, San Francisco, CA (US); **Samuel Bruce Weiss**, Los Altos Hills, CA (US); **Eugene Antony Whang**, San Francisco, CA (US); **Rico Zörkendörfer**, San Francisco, CA (US)

(63) Continuation of application No. 29/566,661, filed on Jun. 1, 2016, now Pat. No. Des. 800,725, which is a continuation of application No. 29/499,087, filed on Aug. 11, 2014, now Pat. No. Des. 758,363.

(51) **LOC (12) Cl.** **14-02**

(52) **U.S. Cl.**
USPC **D14/371**

(58) **Field of Classification Search**

USPC D14/349, 351-355, 359, 440-441, 444, D14/446, 348, 371, 356-358, 363, 442, D14/478, 341, 344-345, 374; D9/424-433; 206/706-709, 722-725; D3/315-316; 361/679.31; D13/107; D10/30, 103, 123, 125, 132; D16/101, D16/216-217
CPC G06F 1/20; H05K 5/00; H05K 5/0213; H05K 5/03; H05K 1/144; G02F 1/133611; G02F 1/133603; G02F 2001/133607; G02F 2001/133613
See application file for complete search history.

(73) Assignee: **Apple Inc.**, Cupertino, CA (US)

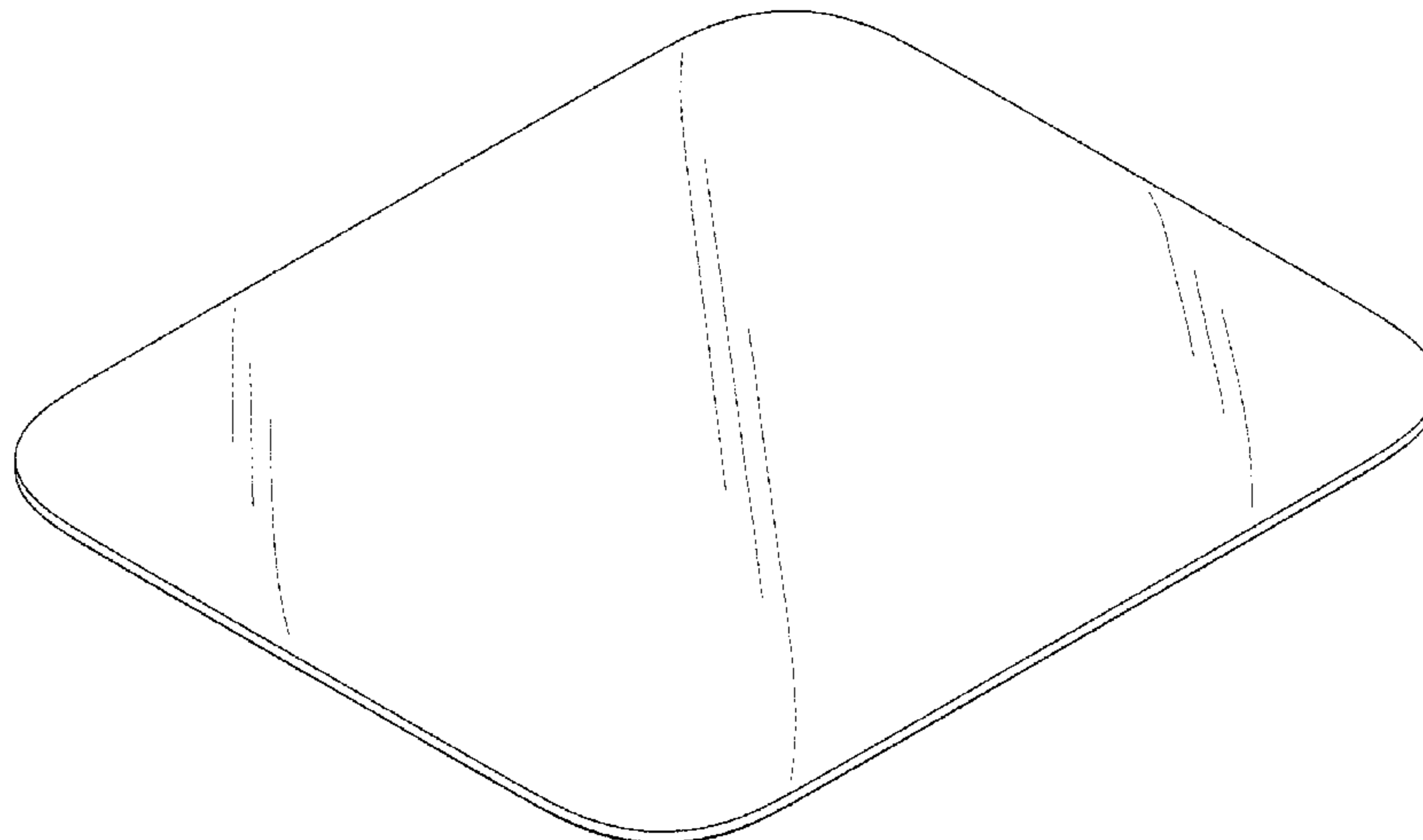
(56) **References Cited**

U.S. PATENT DOCUMENTS

3,640,065	A	2/1972	Lederrey et al.
D287,471	S	12/1986	Sato
5,386,933	A	2/1995	Greene et al.
D409,127	S *	5/1999	Kim D12/187
6,655,831	B1	12/2003	Ruffieux
D496,589	S	9/2004	Perrenoud
D497,364	S	10/2004	Ozolins et al.
6,970,157	B2	11/2005	Siddeeq
D513,195	S	12/2005	Gruosi
7,004,469	B2	2/2006	Von Goeben
D528,439	S	9/2006	Burton
D528,928	S	9/2006	Burton
7,106,197	B2	9/2006	Gaiotto et al.
7,298,076	B2	11/2007	Ozolins et al.
D558,227	S	12/2007	Choi et al.
D572,266	S	7/2008	Anderson et al.
D574,735	S	8/2008	Landman et al.
D578,922	S	10/2008	Hoshino
D584,170	S	1/2009	Morrison

(**) Term: **15 Years**

(21) Appl. No.: **29/622,918**



US D900,813 S

D586,823 S	2/2009	Anderson et al.		D797,101 S *	9/2017	Wieser	D14/358
D589,375 S	3/2009	Tang		D797,150 S *	9/2017	Akana	D10/32
D596,610 S	7/2009	Hou		D797,809 S *	9/2017	Akana	D10/32
7,618,260 B2 *	11/2009	Daniel	A44C 5/0007 24/311	D798,860 S *	10/2017	Wieser	D14/358
D616,417 S	5/2010	Liao		D798,861 S *	10/2017	Wieser	D14/358
7,708,457 B2	5/2010	Girardin et al.		D798,905 S *	10/2017	Akana	D14/496
D623,133 S *	9/2010	Nomi	D13/108	D800,172 S *	10/2017	Akana	D14/496
D625,306 S	10/2010	Miyawaki		D800,725 S *	10/2017	Akana	D14/371
D636,724 S *	4/2011	Nomi	D13/108	D808,961 S *	1/2018	Lee	D14/344
D637,094 S	5/2011	Cobbett et al.		D809,510 S *	2/2018	Rochat	D14/344
D637,596 S *	5/2011	Akana	D14/341	D824,850 S *	8/2018	Kojima	D13/107
D637,918 S	5/2011	Cobbett et al.		D832,252 S *	10/2018	Akana	D14/344
D641,365 S *	7/2011	Lee	D14/368	D834,012 S *	11/2018	Bolmstrand	D14/336
D650,706 S	12/2011	Zanella et al.		D837,206 S *	1/2019	Guan	D14/344
D663,614 S *	7/2012	Strilich	D9/424	D841,005 S *	2/2019	Lin	D14/344
D666,198 S *	8/2012	Van Den Nieuwenhuizen	D14/341	D842,721 S *	3/2019	Lee	D10/70
D666,503 S	9/2012	Bulgari		D842,722 S *	3/2019	Lee	D10/70
D672,344 S	12/2012	Li		D842,724 S *	3/2019	Vandenbussche	D10/70
D672,667 S *	12/2012	Mix	D10/65	D842,853 S *	3/2019	Akana	D14/341
D681,483 S	5/2013	Biegert et al.		D843,864 S *	3/2019	Vandenbussche	D10/70
D688,648 S *	8/2013	Li	D14/205	D848,385 S *	5/2019	Moon	D14/125
D694,753 S *	12/2013	McManigal	D14/368	D850,945 S *	6/2019	Akana	D10/70
D699,701 S	2/2014	Kim		D852,176 S *	6/2019	Moon	D14/240
D703,204 S *	4/2014	Riddiford	D10/65	10,317,898 B2 *	6/2019	Liang	B64C 39/024
D719,123 S	12/2014	Park		D853,379 S *	7/2019	Akana	D14/341
D719,153 S *	12/2014	Lim	D14/356	D854,433 S *	7/2019	Vandenbussche	D10/70
D722,986 S	2/2015	Zwier et al.		10,359,817 B2 *	7/2019	Yun	H05K 1/0203
D727,259 S *	4/2015	Hwang	D13/108	10,362,694 B1 *	7/2019	Lee	H05K 5/0008
D728,624 S	5/2015	Akana et al.		10,396,843 B2 *	8/2019	Rayner	H04M 1/18
D729,090 S *	5/2015	Phillips	D10/103	D864,767 S *	10/2019	Vandenbussche	D10/70
D729,239 S *	5/2015	Fukuoka	D14/348	D866,350 S *	11/2019	Park	D10/38
D729,670 S	5/2015	Nuovo et al.		D867,179 S *	11/2019	Akana	D10/70
D729,671 S *	5/2015	Nuovo	D10/103	10,470,319 B2 *	11/2019	Kim	H05K 5/0004
D730,221 S *	5/2015	Phillips	D10/103	10,485,127 B1 *	11/2019	Sulem	G02B 6/0088
D730,222 S *	5/2015	Phillips	D10/103	D869,462 S *	12/2019	Ke	D14/344
D734,282 S	7/2015	Shin et al.		D872,074 S *	1/2020	Kim	D14/341
D737,156 S	8/2015	Akana et al.		D872,075 S *	1/2020	Kim	D14/341
D737,157 S	8/2015	Akana et al.		10,542,628 B2 *	1/2020	Prest	G06F 1/1656
D737,158 S	8/2015	Akana et al.		10,547,165 B2 *	1/2020	Ikeda	B60R 16/0238
D737,159 S	8/2015	Akana et al.		10,575,425 B1 *	2/2020	Deng	H05K 5/0017
D738,880 S *	9/2015	Hwangbo	D14/374	D877,145 S *	3/2020	Shin	D14/344
D741,726 S	10/2015	Akana et al.		D879,628 S *	3/2020	Akana	D10/70
D743,278 S	11/2015	Solomon et al.		D879,772 S *	3/2020	Wall	D14/341
D744,356 S	12/2015	Akana et al.		D882,563 S *	4/2020	Akana	D14/344
D745,421 S	12/2015	Akana et al.		D882,565 S *	4/2020	Akana	D14/344
D745,515 S *	12/2015	Solomon	D14/344	10,624,219 B2 *	4/2020	Sisson	G06F 1/1684
D746,707 S	1/2016	Akana et al.		D883,976 S *	5/2020	Akana	D14/344
D749,569 S	2/2016	Ji et al.		2009/0156255 A1	6/2009	Shin et al.	
D751,070 S *	3/2016	Akana	D14/344	2010/0061191 A1	3/2010	Chen	
D751,071 S *	3/2016	Kurata	D14/365	2014/0028688 A1	1/2014	Houjou et al.	
D751,550 S *	3/2016	Solomon	D10/38	2015/0108324 A1 *	4/2015	Chen	F16M 11/16 248/688
D752,044 S	3/2016	Akana et al.		2017/0046451 A1 *	2/2017	Akana	G06F 17/50
D756,357 S	5/2016	Akana et al.		2017/0265607 A1 *	9/2017	Hatanaka	G04B 37/1486
D756,824 S *	5/2016	Akana	D10/103	2019/0278008 A1 *	9/2019	Giachino	G02B 5/286
D757,574 S *	5/2016	Song	D10/70	2020/0080580 A1 *	3/2020	Clavelle	F16B 37/045
D757,722 S *	5/2016	Akana	D10/31				
D758,219 S *	6/2016	Akana	D10/39				
D758,363 S	6/2016	Akana et al.					
D759,011 S	6/2016	Akana et al.					
D759,121 S *	6/2016	Akana	D14/203.7				
D759,725 S	6/2016	Akana et al.					
D760,717 S *	7/2016	Solomon	D14/344				
D762,215 S *	7/2016	Luttrell	D14/388				
D765,655 S *	9/2016	Tao	D10/38				
D765,661 S *	9/2016	Akana	D14/432				
D766,752 S	9/2016	Akana et al.					
D766,893 S *	9/2016	Akana	D14/344				
D769,867 S *	10/2016	Aumiller	D14/344				
D770,533 S *	11/2016	Akana	D14/203.7				
D771,035 S	11/2016	Akana et al.					
D771,036 S	11/2016	Akana et al.					
D777,163 S	1/2017	Akana et al.					
D781,853 S	3/2017	Akana et al.					
D784,345 S *	4/2017	Kwon	D14/439				
D784,346 S *	4/2017	Tao	D10/103				
D796,356 S *	9/2017	Bayley	D10/30				
D797,095 S *	9/2017	Delpier	D14/314				

FOREIGN PATENT DOCUMENTS

CH	144556-0001	*	3/2019
CN	D3184158		4/2001
CN	D3210240		11/2001
CN	D3329483		10/2003
CN	303337250	*	8/2015
CN	303451171	*	11/2015
DE	10229050	C1	6/2003
EM	002392803-0002		1/2014
EM	006269106-0001	*	5/2019
EP	1098231	A1	5/2001
ES	001359301-0002		6/2013
JP	D1095230		1/2001
JP	D1119440		8/2001
JP	D1127245		11/2001
JP	D1127493		11/2001
JP	D1264904		3/2006
JP	D1281287		9/2006
JP	D1302423		6/2007
JP	D1350052		2/2009
JP	D1368561		8/2009

JP	D1433113	2/2012
JP	D1448195	8/2012
JP	D1462747	2/2013
JP	D1466391	4/2013
JP	D1477307	8/2013
JP	D1503504	7/2014
JP	D1511747	11/2014
JP	D1518040	2/2015
KR	30-0740532	4/2014
KR	300940206.0000	* 1/2018
WO	WO-DM/066591-004	3/2005
WO	WO-DM072215	9/2009
WO	WO-DM/077452-004	6/2011
WO	WO-2014135709 A2	9/2014

OTHER PUBLICATIONS

Watch, 1:Face, whitecabana.com, published by blogger Jordana on Sep. 27, 2012 © white cabana, online, site visited Jun. 15, 2019. Available from Internet, URL: <http://www.whitecabana.com/index.php/2012/09/27/charity-1colour-1cause-1face/> (Year: 2012).*

G Watch, LG, gigazine.com, published by darkhorse_log on Jul. 24, 2014 © not listed, online, site visited Jul. 18, 2019. Available from Internet, URL: https://gigazine.net/gsc_news/en/20140724-samsung-gear-live-lg-g-watch-teardown (Year: 2014).*

Alvarez, Edgar, “Basis Peak to get its smartwatch-like features in December,” *engadget.com*, < <http://www.engadget.com/2014/11/20/basis-peak-new-features/>>, dated Nov. 20, 2014, accessed Dec. 15, 2014.

Cool Material, “Braun Square Digital Watch,” < <http://web.archive.org/web/20111125033014/http://coolmaterial.com/style/braun-square-digital-watch/>>, dated Nov. 25, 2011, accessed Dec. 18, 2014.

Emily, “Nixon—The Newton Digital,” < <http://www.freshnessmag.com/2009/09/08/nixon-the-newton-digital/>>, freshnessmag.com, dated Sep. 8, 2009, accessed Oct. 9, 2014.

Fitbit, “Fitbit Surge™ Fitness Super Watch” < <https://www.fitbit.com/surge>>, accessed Dec. 15, 2014.

geekbuying.com, “Makibes unisex red led digital wrist watch with square case silicone watchband—white,” < <http://www.geekbuying.com/item/Unisex-Red-LED-Digital-Wrist-Watch-with-Square-Case-Silicone-Watchband---White-326443.html>>, accessed Oct. 9, 2014.

Hodinkee.com, “Apple iPod Nano Now Available With Mickey Mouse Dial, Also Cheesy, Mechanically Inaccurate Open-Worked Dial,” < <http://web.archive.org/web/20111006043916/http://www.hodinkee.com/blog/2011/10/5/apple-ipod-nano-now-available-with-mickey-mouse-dial-also-ch.html>>, dated Oct. 6, 2011, accessed Dec. 18, 2014.

Homego, “M6 Silver Smart Watch Cell Phone 1.54 inch Bluetooth 3.0 Dialer Outdoor Sports Pedometer,” *amazon.com*, < <http://www.amazon.com/Silver-Bluetooth-Dialer-Outdoor-Pedometer/dp/B00MQTBGK6>>, accessed Dec. 15, 2014.

Ikepod, “Original Ikepod Watch With GMT—Marc Newson Design,” *Watchbox.be*, < <http://www.watchbox.be/prod/Others-Watches/Marc%20Newsom%20Design/item7165.htm#.VJLm2fAo5D8>>, accessed Dec. 17, 2014.

LG Life’s Good, “LG G Watch (W100),” < <http://www.lg.com/us/smart-watches/lg-W100-g-watch>>, accessed Dec. 18, 2014.

Metawatch, “Frame—Black (MW3005),” < <http://meta.watch/collections/smartwatch-all/products/frame-ss-black-leather>>, accessed Dec. 15, 2014.

Omate, “Omate TrueSmart: Water-resistant standalone Smartwatch 2.0,” < <http://www.kickstarter.com/projects/omate/omate-truesmart-water-resistant-standalone-smartwa>>, dated Aug. 21, 2013, accessed Oct. 8, 2014.

Omate, “The TrueSmart™ is the world’s first standalone smartwatch 2.0 running on top of Android and OUI 2.0,” < <http://www.omate.com/product.html>>, accessed Dec. 15, 2014.

Pebble, “Pebble Smartwatch,” *getpebble.com*, < <https://getpebble.com/checkout>>, accessed Dec. 15, 2014.

Samsung, “Samsung Gear™ 2 Charcoal Black SM-R3800VSAXAR,” < <http://www.samsung.com/us/mobile/wearable-tech/SM-R3800VSAXAR>>, accessed Dec. 15, 2014.

Samsung, “Samsung Gear S™, (Sprint), Black SM-R750PZKASPR,” < <http://www.samsung.com/us/mobile/wearable-tech/SM-R750PZKASPR>>, accessed Dec. 15, 2014.

Samsung, “Galaxy Gear™ Live, Black SM-R3820ZKAXAR,” < <http://www.samsung.com/us/mobile/wearable-tech/SM-R3820ZKAXAR>>, accessed Dec. 15, 2014.

Sony, “SmartWatch,” < <http://www.sonymobile.com/us/products/accessories/smartwatch/>>, accessed Dec. 15, 2014.

Sony, “SmartWatch 3 SWR50,” < <http://www.sonymobile.com/us/products/smartwear/smartwatch-3-swr50/>>, accessed Dec. 15, 2014.

Stables, James, “Clevercare smartwatch aims to help Alzheimer’s suffers and carers: Revamped Sony SmartWatch 2 designed for users that need care,” *Wearable News*, < <http://www.wearable.com/wearable-tech/clevercare-smartwatch-aims-to-help-alzheimers-suffers-and-carers-585>>, dated Dec. 15, 2014.

Team Luxe, “Collector’s Edition: Hermes Carre H Watch,” *Luxpresso*, < <http://luxpresso.com/news-couture/collectors-edition-hermes-carre-h-watch/2814>>, dated Jan. 10, 2011, accessed Dec. 18, 2014.

Ted Baker, “Ted Baker Men’s TE1054 Time Flies Contemporary Square Digital Case Watch,” < <http://www.amazon.com/Ted-Baker-TE1054-Contemporary-Digital/dp/B0045CRTYO%3FSubscriptionId%3DAKIAJ3U4YRIBWCGGKZ2A%26tag%3Dfrases365-20%26linkCode%3Dsp1%26camp%3D2025%26creative%3D165953%26creativeASIN%3DB0045CRTYO>>, accessed Oct. 9, 2014.

Velazco, Chris, “ASUS ZenWatch review: subtle and stylish, with a few shortcomings,” *Engadget.com*, < <http://www.engadget.com/2014/12/11/asus-zenwatch-review/>>, dated Dec. 11, 2014, accessed Dec. 15, 2014.

Watches Infoniac.com, “Hermes Carre H Watch—Extremely Contemporary Design,” < <http://watches.infoniac.com/carre-h-watch-hermes.html>>, dated Aug. 13, 2010, accessed Dec. 18, 2014.

Watchismo, “Braun BN0042 Black Date Leather,” < <http://web.archive.org/web/20130815073830/http://www.watchismo.com/braun-bn0042bkbk.aspx>>, dated Aug. 15, 2013, accessed Dec. 18, 2014.

* cited by examiner

Primary Examiner — Marissa J Cash

Assistant Examiner — Altaira J Swangin

(74) *Attorney, Agent, or Firm* — Stern, Kessler, Goldstein & Fox P.L.L.C.

(57)

CLAIM

The ornamental design for a display for electronic device, as shown and described.

DESCRIPTION

FIG. 1 is a front perspective view of a display for electronic device showing the claimed design;

FIG. 2 is a rear perspective view thereof;

FIG. 3 is a front view thereof;

FIG. 4 is a rear view thereof;

FIG. 5 is a left side view thereof;

FIG. 6 is a right side view thereof;

FIG. 7 is a top view thereof; and,

FIG. 8 is a bottom view thereof.

The broken lines in the figures show portions of the display for electronic device that form no part of the claimed design. Unshaded areas between the solid and broken lines form no part of the claimed design.

1 Claim, 6 Drawing Sheets

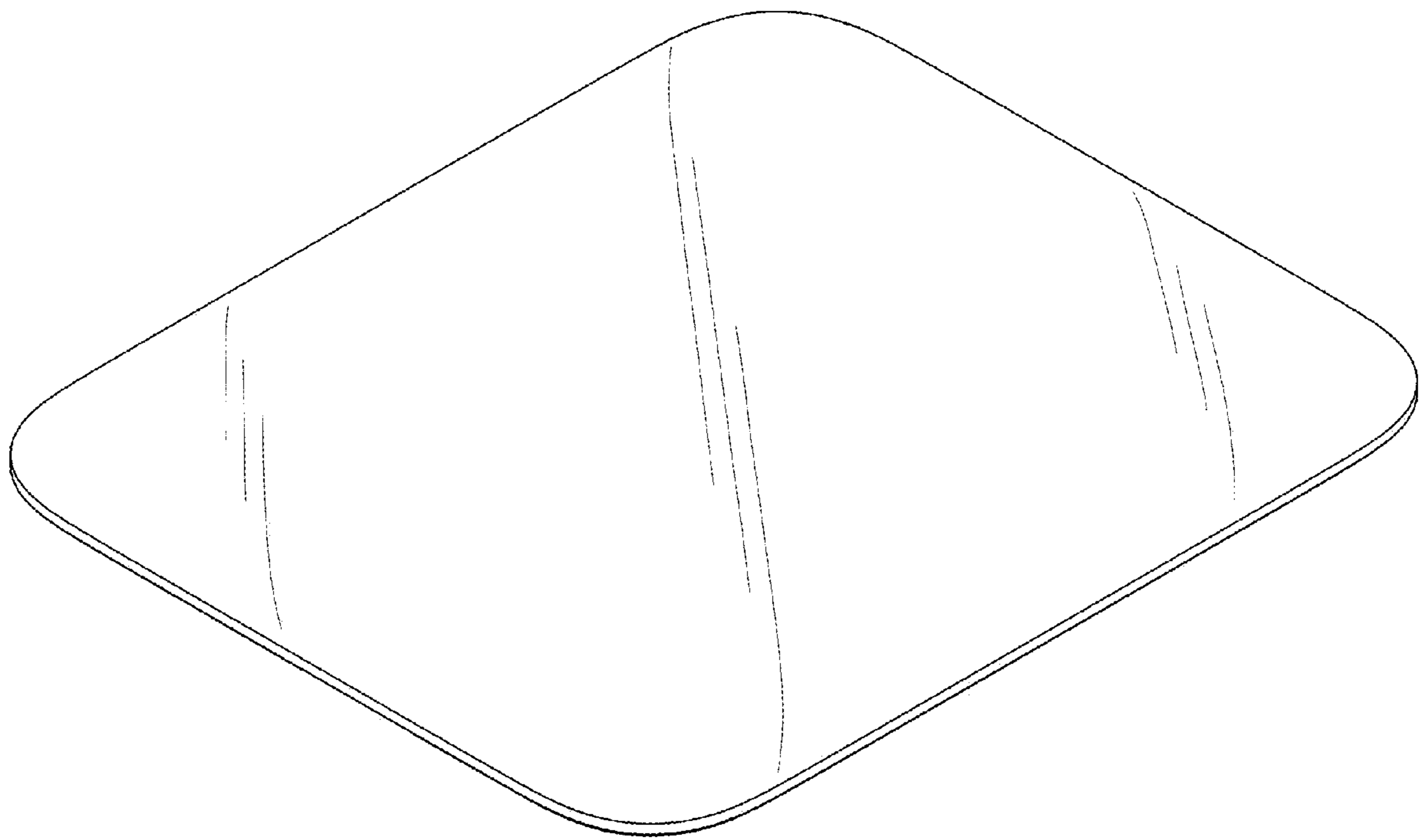


FIG. 1

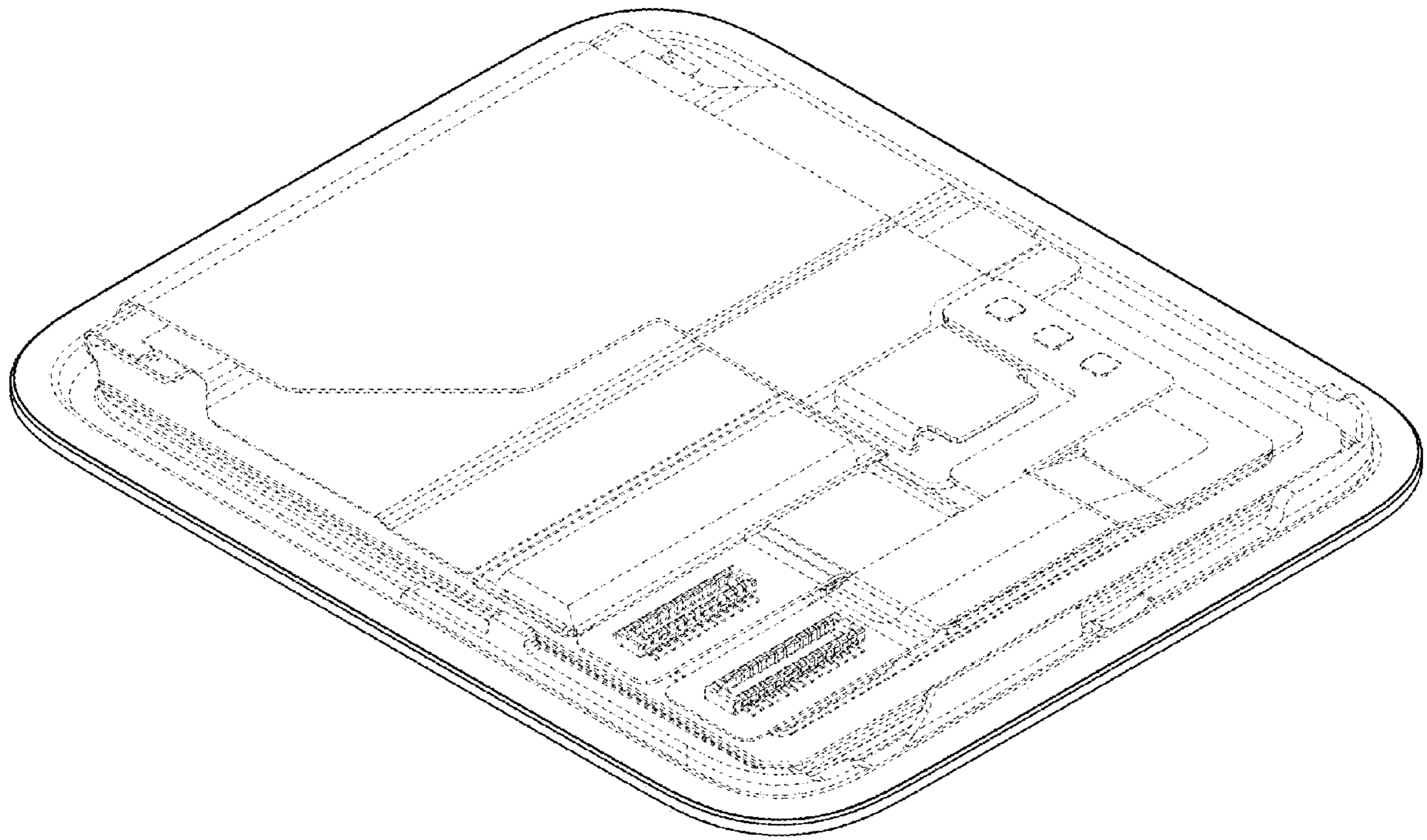


FIG. 2

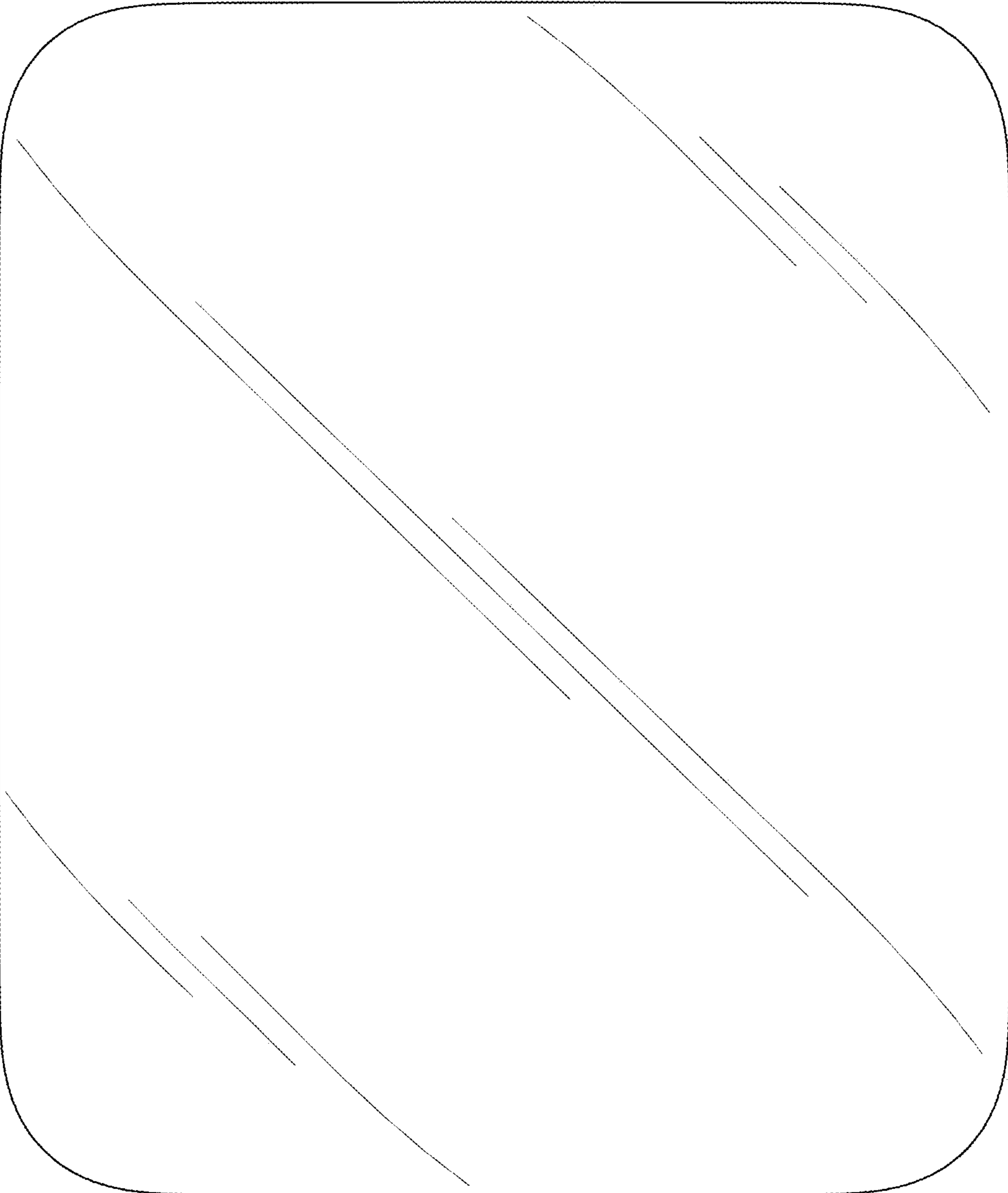


FIG. 3

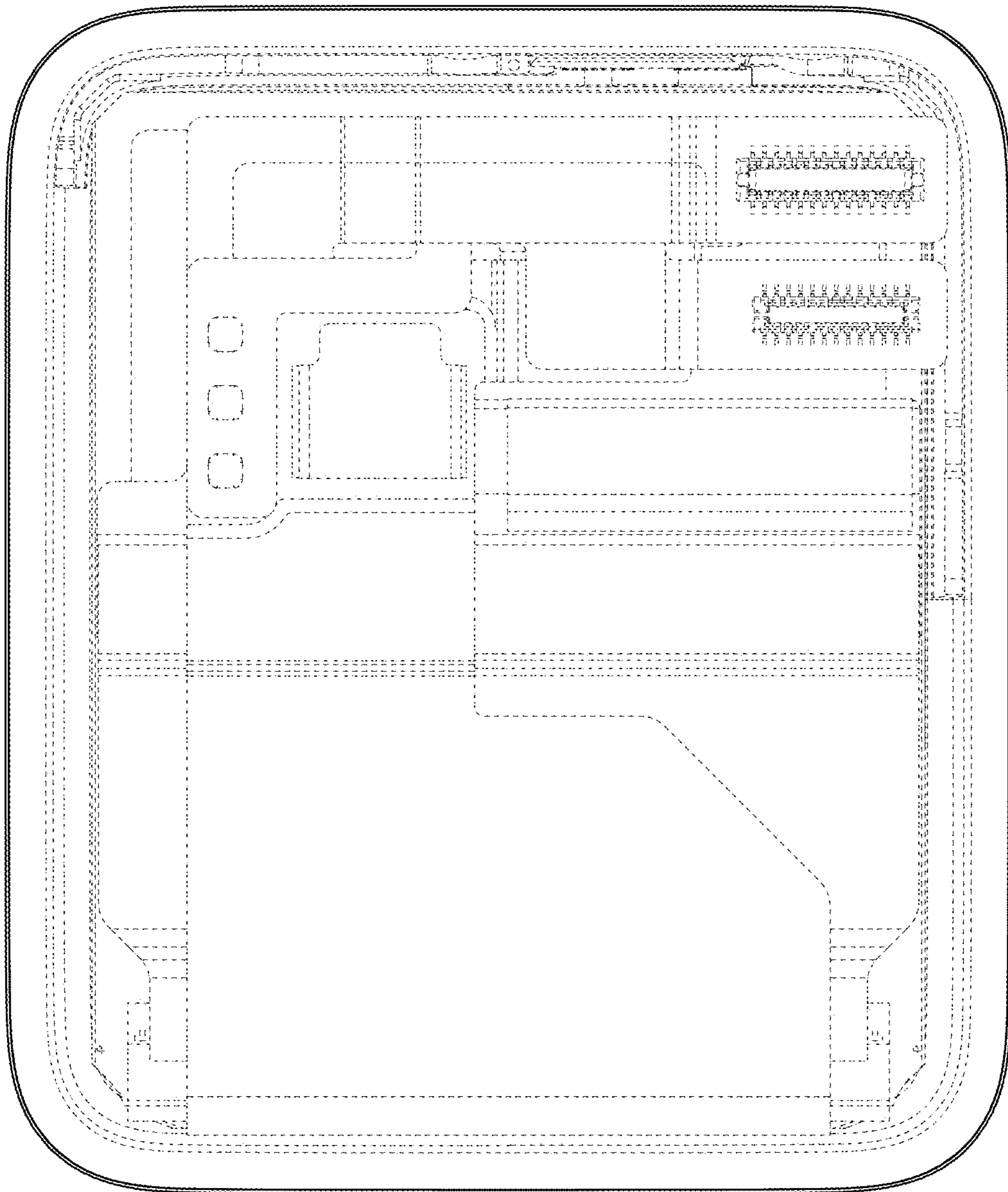


FIG. 4

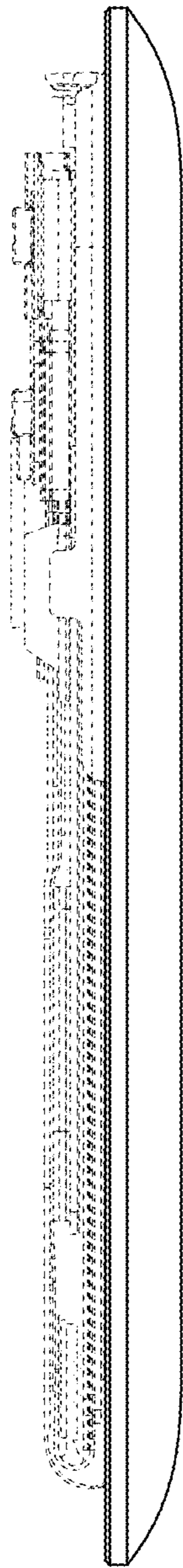


FIG. 5

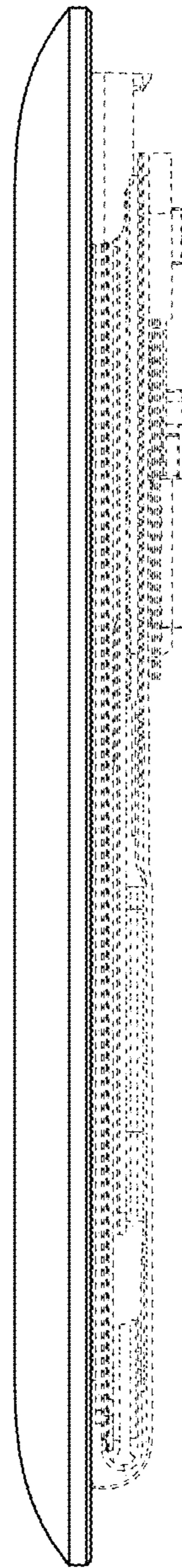


FIG. 6

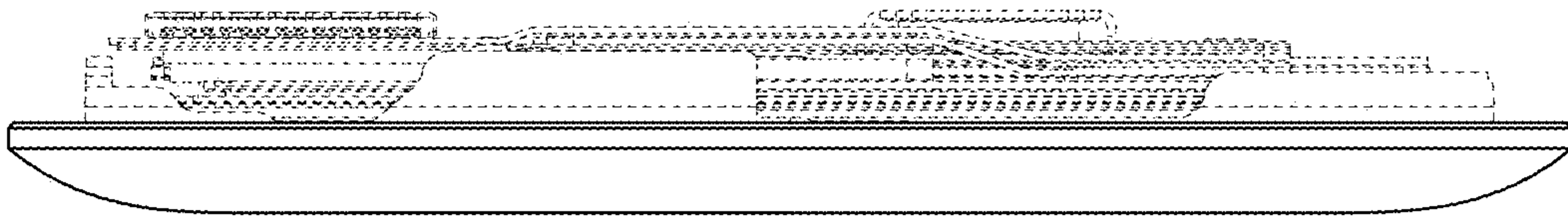


FIG. 7

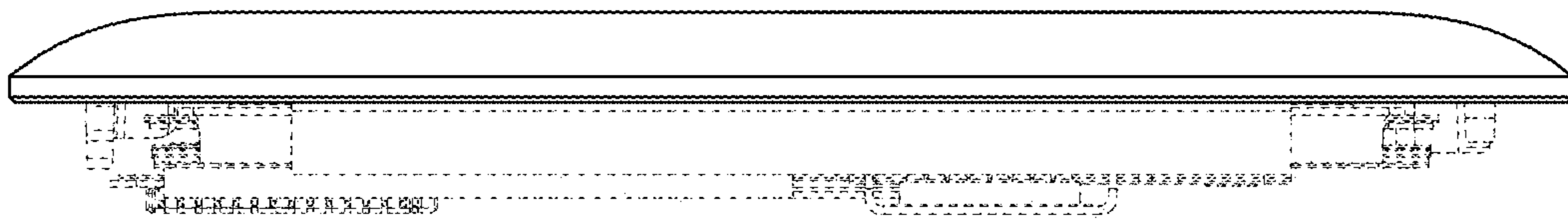


FIG. 8