



US00D900812S

(12) **United States Design Patent** (10) **Patent No.:** **US D900,812 S**
Friedman et al. (45) **Date of Patent:** **** Nov. 3, 2020**

(54) **USER INTERFACE DEVICE**

(71) Applicant: **Flint Rehabilitation Devices, LLC**, Irvine, CA (US)

(72) Inventors: **Nizan Friedman**, Irvine, CA (US); **Daniel K. Zondervan**, Long Beach, CA (US)

(73) Assignee: **FLINT REHABILITATION DEVICES, LLC**, Irvine, CA (US)

(**) Term: **15 Years**

(21) Appl. No.: **29/646,463**

(22) Filed: **May 4, 2018**

(51) **LOC (12) Cl.** **14-02**

(52) **U.S. Cl.**
USPC **D14/357**; D24/188; D21/662

(58) **Field of Classification Search**
USPC D14/356-358, 388, 389, 400, 402, 405, D14/408, 411, 432, 454, 460, 496, 217, D14/218, 299; D21/324-333, 566, 662, D21/684, 694, 696; D13/123, 162, 162.1, D13/168, 171-174; D24/184-186, 107, D24/188, 234, 192; D10/46, 104.1, D10/106.1, 106.95, 83; 482/4
CPC A63B 21/4027; A63B 21/4033; A63B 21/4034; A63B 21/4035; A63B 21/4043; A63B 71/0622; A63B 23/0221; A63B 23/0355; A63B 23/0482; A63B 23/085; A63B 23/10; A63B 23/1254; A63B 23/1263; A63B 23/1272; A63B 23/1281; A63B 23/14; A63B 24/4035; A63B 24/0003; A63B 24/0062; A63B 24/0075; A63B 24/0087; A63B 2022/0094; A63B 2220/00

See application file for complete search history.

(56) **References Cited**

U.S. PATENT DOCUMENTS

D347,584 S *	6/1994	Vogelpohl	D10/49
D358,380 S *	5/1995	Sakaguchi	D14/357
D382,255 S *	8/1997	Moffatt	D13/147
D391,943 S *	3/1998	Han	D14/356
D391,944 S *	3/1998	Han	D14/356
D414,476 S *	9/1999	Hibino	D13/101
D437,243 S *	2/2001	Cessac	D10/104.1
D438,132 S *	2/2001	Givings	D10/104.1
D438,847 S *	3/2001	Hasegawa	D14/412
D446,740 S *	8/2001	Cruitt	D10/104.1
D451,417 S *	12/2001	Simu-Brown	D10/106.1
D481,392 S *	10/2003	Dyer	D14/433

(Continued)

OTHER PUBLICATIONS

FitMi Testimonial: Brad Thomas. [online] 1 pg. Published May 31, 2017. [Retrieved on Sep. 12, 2019] <https://www.youtube.com/watch?v=LmMEtiwVqiE>.*

Primary Examiner — Marie D. Fast Horse
(74) *Attorney, Agent, or Firm* — Thomas | Horstemeyer, LLP

(57) **CLAIM**

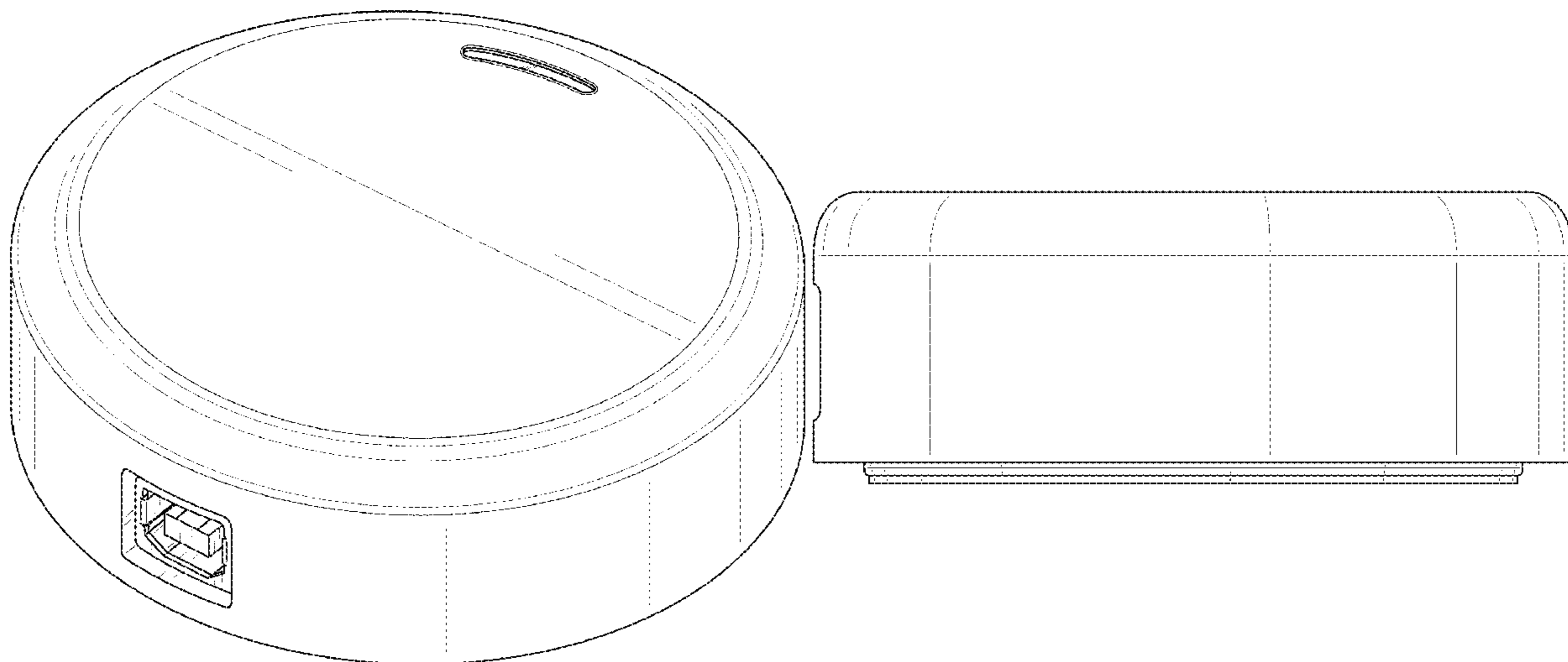
The ornamental design for a user interface device, as shown and described.

DESCRIPTION

FIG. 1 is a top perspective view of a user interface device showing our new design;
FIG. 2 is a first lateral side view thereof;
FIG. 3 is a second lateral side view thereof;
FIG. 4 is a third lateral side view thereof;
FIG. 5 is a fourth lateral side view thereof;
FIG. 6 is a top view thereof; and,
FIG. 7 is a bottom view thereof.

The broken lines in the drawings depict portions of the user interface device that form no part of the claimed design.

1 Claim, 5 Drawing Sheets



(56)

References Cited

U.S. PATENT DOCUMENTS

6,659,924 B1 *	12/2003	Hsu	A63B 22/14 482/121	D751,538 S *	3/2016	Koehler	D14/240
D506,404 S *	6/2005	Kaczmarek	D10/104.1	D752,588 S *	3/2016	Li	D14/385
D506,693 S *	6/2005	Kaczmarek	D10/104.1	D753,832 S *	4/2016	Lin	D24/186
D507,569 S *	7/2005	Tagliabue	D14/356	D755,750 S *	5/2016	Chen	D14/172
D507,657 S *	7/2005	Neel	D10/102	D760,221 S *	6/2016	Maruyama	D14/357
D525,517 S *	7/2006	Baldwin	D8/310	D766,844 S *	9/2016	Turksu	D10/104.1
D530,523 S *	10/2006	Pitot	D6/308	D768,626 S *	10/2016	Mikelson	D14/300
D552,607 S *	10/2007	Cleland	D14/358	D768,631 S *	10/2016	Epstein	D14/388
D555,605 S *	11/2007	Parnell	D13/171	D771,142 S *	11/2016	Langhammer	D14/203.6
D555,651 S *	11/2007	Pascucci	D14/408	D773,947 S *	12/2016	Scarcella	D10/104.1
D561,904 S *	2/2008	Neel	D24/216	D774,149 S *	12/2016	Estrada, Jr.	D21/685
D569,750 S *	5/2008	Semersky	D10/83	D783,422 S *	4/2017	Kashimoto	D10/50
D569,866 S *	5/2008	Turpault	D14/385	D784,259 S *	4/2017	Huang	D13/108
D570,348 S *	6/2008	Turpault	D14/385	D786,724 S *	5/2017	Seagle, Jr.	D10/106.1
D589,046 S *	3/2009	Pascucci	D14/408	D787,515 S *	5/2017	Friedman	D14/388
D619,117 S *	7/2010	Unruh	D14/203.6	D789,373 S *	6/2017	King	D14/413
D620,884 S *	8/2010	Lee	D13/108	D789,374 S *	6/2017	King	D14/413
D624,518 S *	9/2010	Li	D14/138 AB	D792,220 S *	7/2017	Simons	D7/396.2
D624,543 S *	9/2010	Kettula	D14/388	D794,810 S *	8/2017	Sorbel	D21/685
D627,306 S *	11/2010	Charleux	D13/168	D804,306 S *	12/2017	Simons	D9/454
D643,412 S *	8/2011	Brady	D14/218	D804,531 S *	12/2017	Beck	D14/496
D669,894 S *	10/2012	Cobbett	D14/358	D804,533 S *	12/2017	Mangum	D14/496
D677,239 S *	3/2013	Todorovitch	D14/131	D806,254 S *	12/2017	Im	D24/186
D694,182 S *	11/2013	Lee	D13/108	D807,867 S *	1/2018	Kato	D14/240
D697,475 S *	1/2014	Regole	D13/108	D810,136 S *	2/2018	Langhammer	D14/496
D702,685 S *	4/2014	Pascucci	D14/408	D814,324 S *	4/2018	Kalvachev	D10/83
D705,103 S *	5/2014	Leasure	D10/101	D815,149 S *	4/2018	Langhammer	D14/496
D718,234 S *	11/2014	Rautiainen	D13/108	D816,046 S *	4/2018	Kiong	D13/162
D720,289 S *	12/2014	Chiang	D13/108	D817,501 S *	5/2018	Wei	D24/188
D724,060 S *	3/2015	Ahn	D14/218	D820,238 S *	6/2018	Boshernitzan	D14/218
D726,161 S *	4/2015	Howard	D14/218	D820,318 S *	6/2018	Mullins	D14/496
D726,672 S *	4/2015	Olodort	D14/138 G	D827,645 S *	9/2018	Raken	D14/388
D729,773 S *	5/2015	Salojarvi	D14/218	D827,840 S *	9/2018	Sobczyk	D24/186
D730,349 S *	5/2015	Burmeister-Brown	D14/240	D829,242 S *	9/2018	Laine	D14/496
D735,131 S *	7/2015	Akana	D13/108	D830,858 S *	10/2018	Rogers	D10/41
D736,660 S *	8/2015	Hosoda	D10/83	D833,023 S *	11/2018	Maletic	D24/186
D740,750 S *	10/2015	Mayden	D13/108	D848,623 S *	5/2019	Franche	D24/188
D740,896 S *	10/2015	Halper, Jr.	D21/685	D851,184 S *	6/2019	McConnell	D21/662
D743,819 S *	11/2015	Golnik	D10/70	D855,586 S *	8/2019	Bang	D14/218
D743,954 S *	11/2015	Chuang	D13/168	D867,185 S *	11/2019	Rahav	D10/83
D746,165 S *	12/2015	Li	D13/168	D868,067 S *	11/2019	Guarniere	D14/432
D746,166 S *	12/2015	Li	D10/104.1	D877,149 S *	3/2020	Johnston	D14/388
D749,666 S *	2/2016	Ahdoot	D14/218	D879,969 S *	3/2020	Sandt	D24/186
					D882,432 S *	4/2020	Yee	A61B 5/002 D24/186
					2018/0193700 A1 *	7/2018	Friedman	A63B 21/0004

* cited by examiner

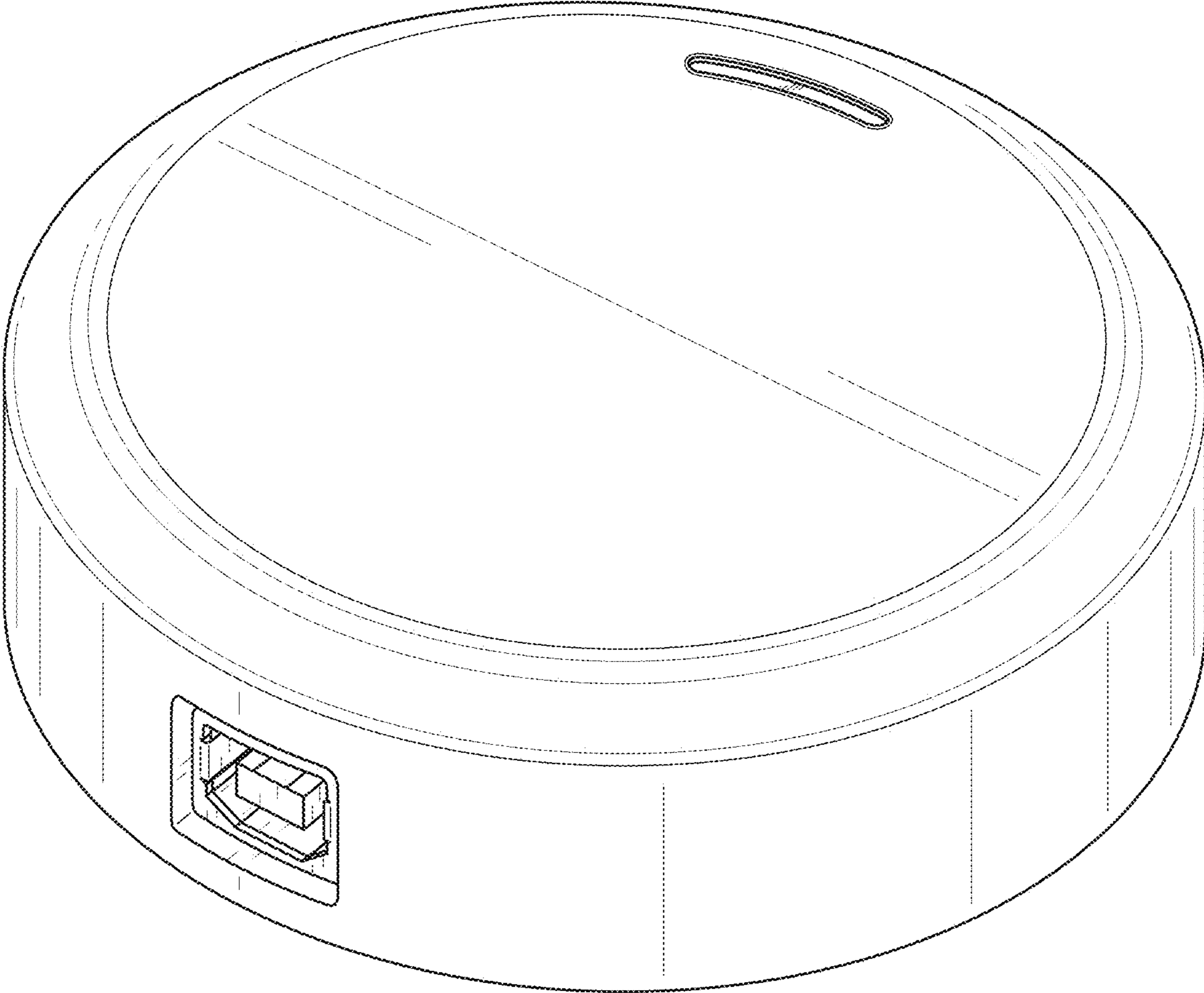


FIG. 1

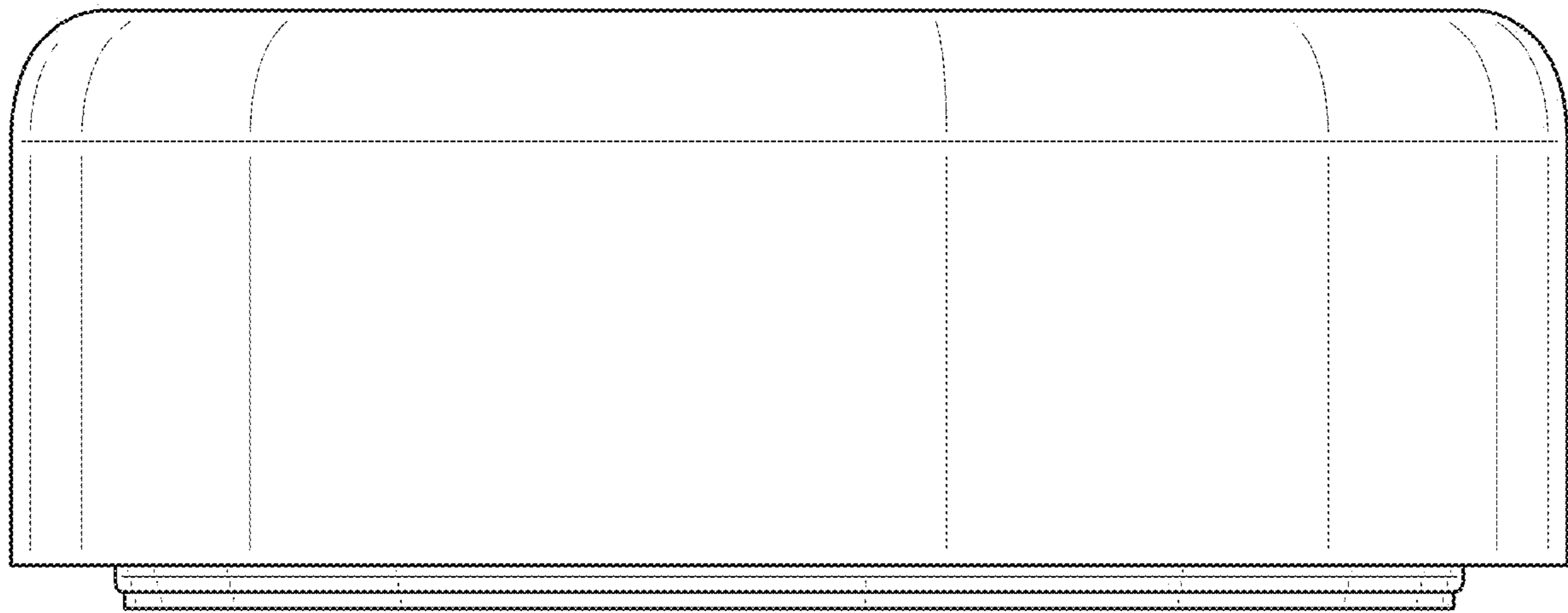


FIG. 2

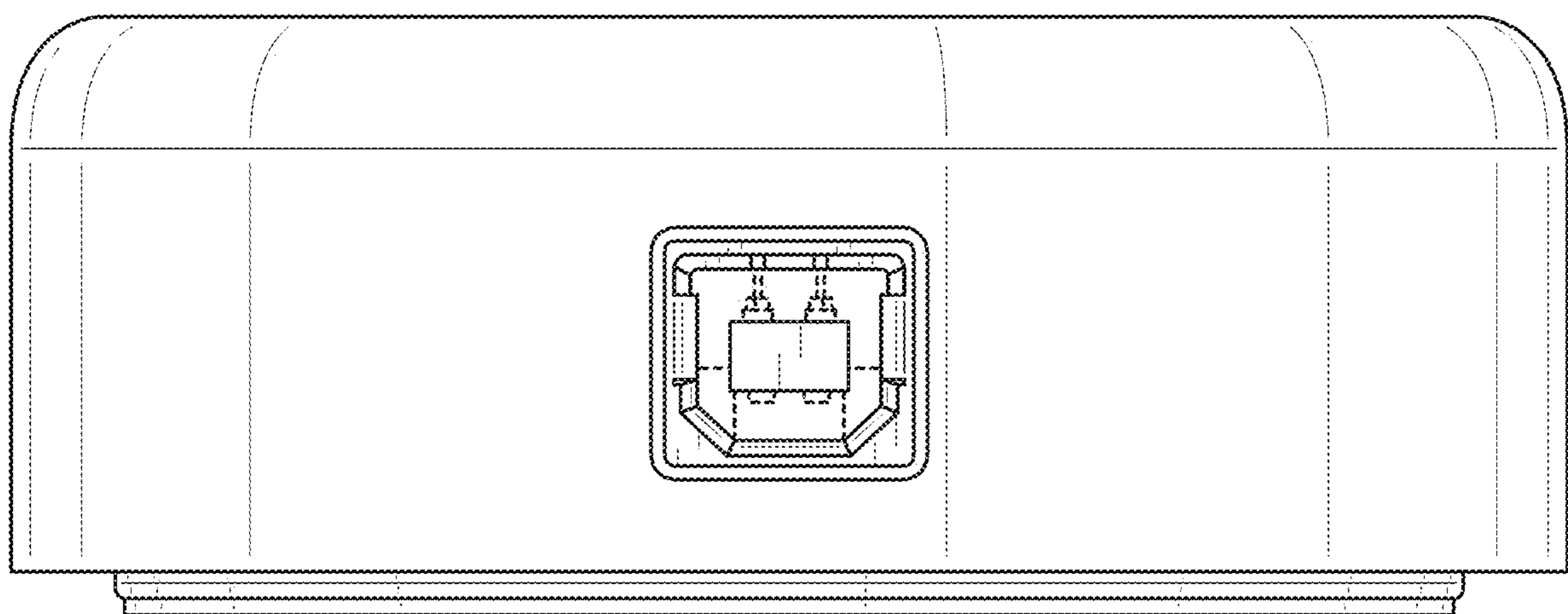


FIG. 3

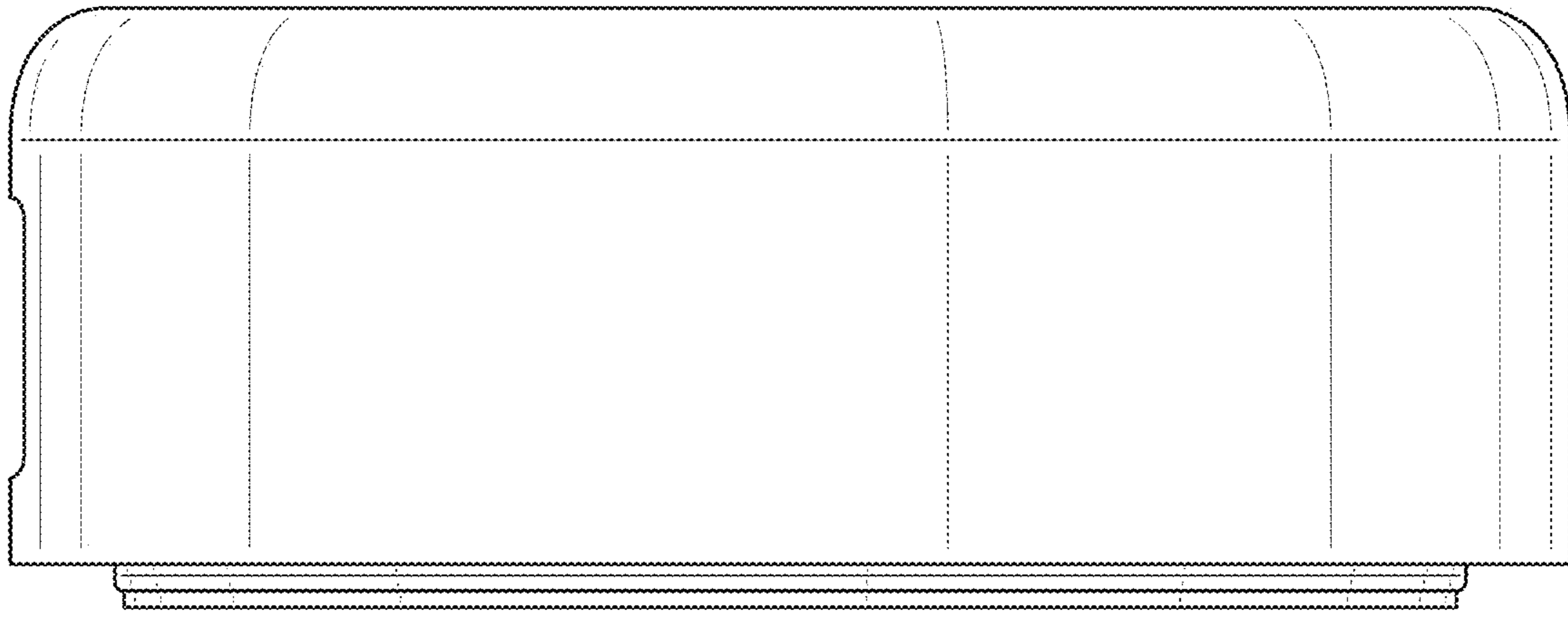


FIG. 4

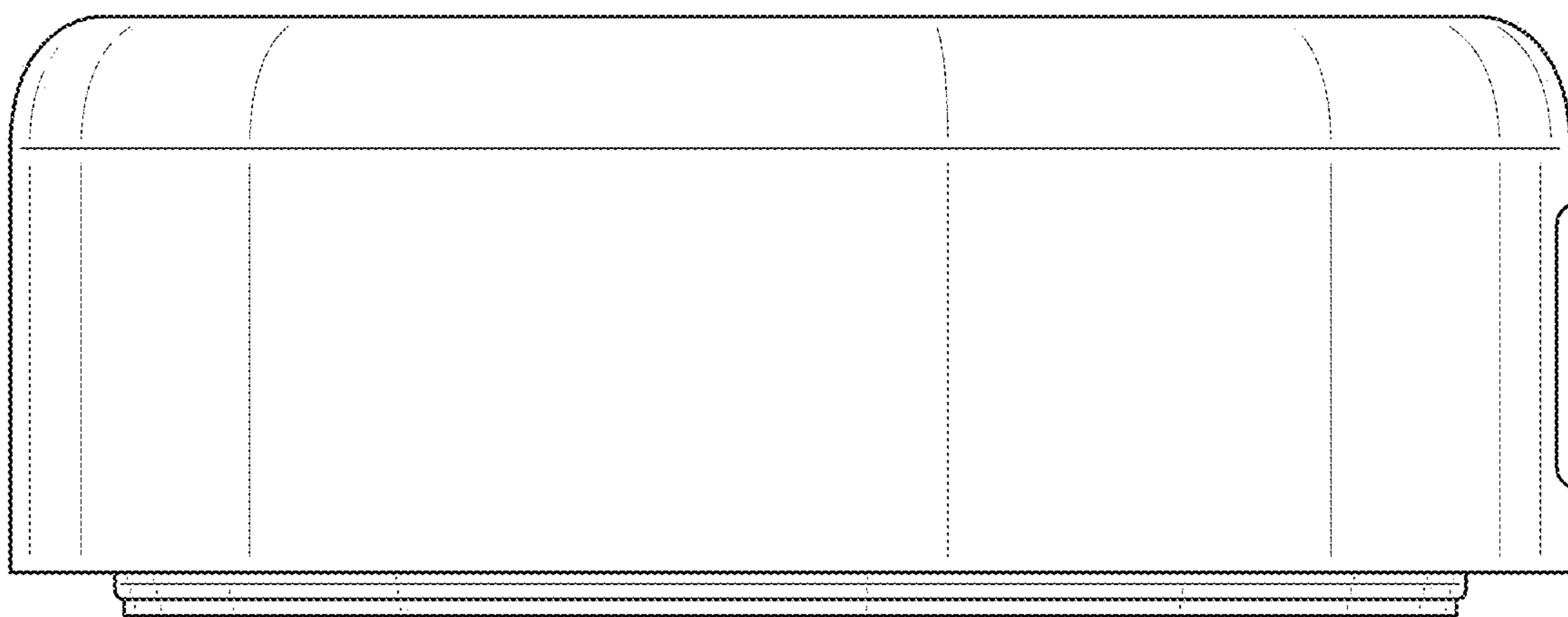


FIG. 5

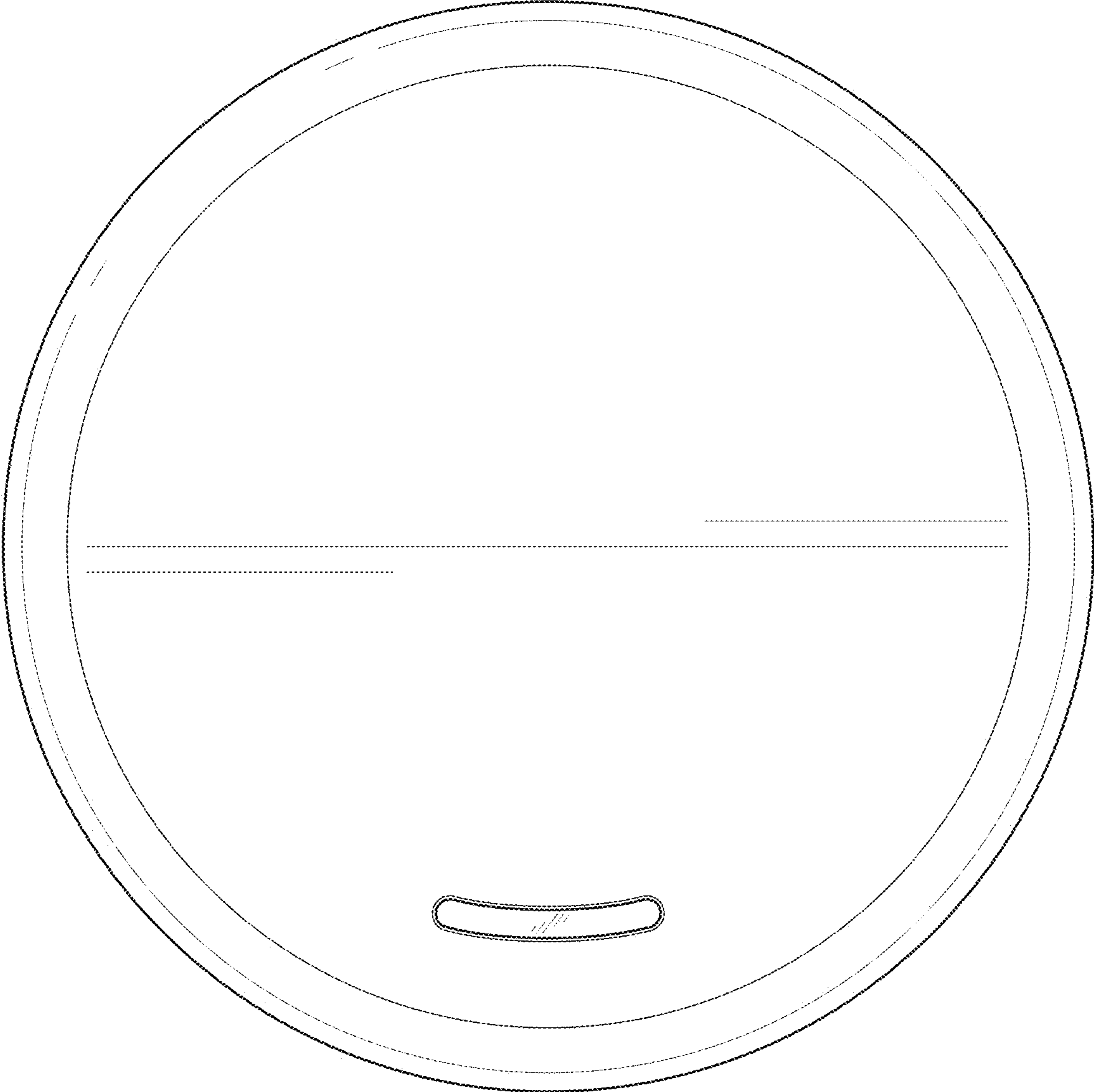


FIG. 6

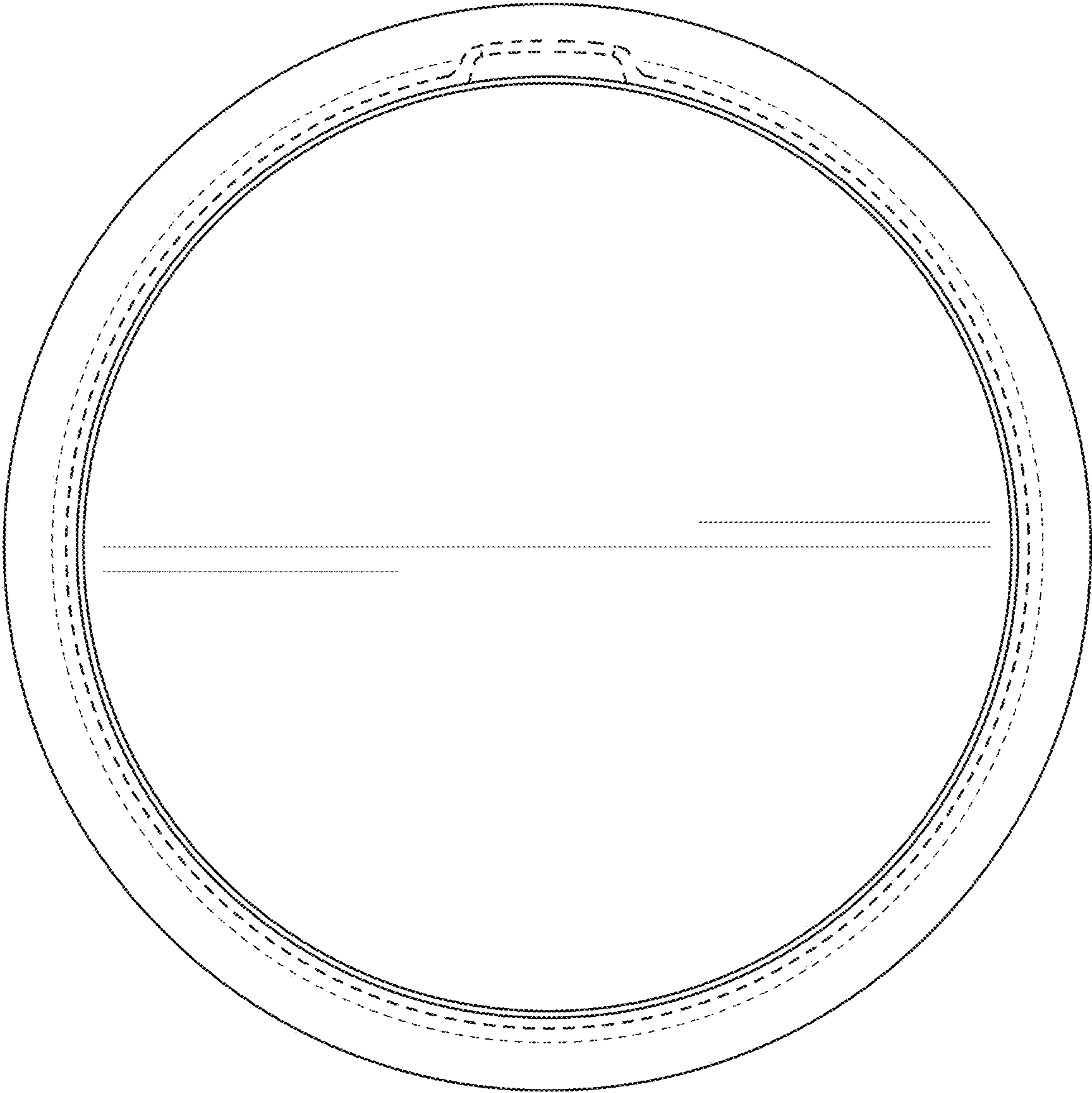


FIG. 7