



US00D900811S

(12) **United States Design Patent** (10) **Patent No.:** **US D900,811 S**
Sobol et al. (45) **Date of Patent:** **** Nov. 3, 2020**

(54) **WEARABLE LOCATION AND ACTIVITY TRACKING DEVICE**

(71) Applicant: **CareBand, Inc.**, Chicago, IL (US)
(72) Inventors: **Adam G. Sobol**, Dayton, OH (US); **Joseph Thomas Kreidler**, Mount Prospect, IL (US); **Brian Andrew Donlin**, Chicago, IL (US); **Jon G. Ledwith**, Palatine, IL (US); **Patrick John McVey**, Wheeling, IL (US); **Ross David Moore**, Winnetka, IL (US); **Peter Nanni**, Algonquin, IL (US)
(73) Assignee: **CareBand, Inc.**, Chicago, IL (US)

(**) Term: **15 Years**

(21) Appl. No.: **29/742,176**

(22) Filed: **Mar. 20, 2020**

Related U.S. Application Data

(62) Division of application No. 29/651,155, filed on Jan. 8, 2018, now Pat. No. Des. 881,874.

(51) **LOC (12) Cl.** **14-02**

(52) **U.S. Cl.**
USPC **D14/344**

(58) **Field of Classification Search**
USPC .. D14/138 R, 144, 341, 344, 358, 388, 218;
D10/30-39, 70, 98; D11/3, 4, 26, 93-94,
(Continued)

(56) **References Cited**

U.S. PATENT DOCUMENTS

7,618,260 B2 * 11/2009 Daniel A44C 5/0007
24/311
D645,968 S * 9/2011 Kasabach D24/186

(Continued)

OTHER PUBLICATIONS

Gust Launch > CareBand, posted unknown, [retrieved Dec. 19, 2019]. Retrieved from Internet, <URL: https://gust.com/companies/careband-2 >.*

(Continued)

Primary Examiner — Eric L Goodman
Assistant Examiner — Kristin E Reed

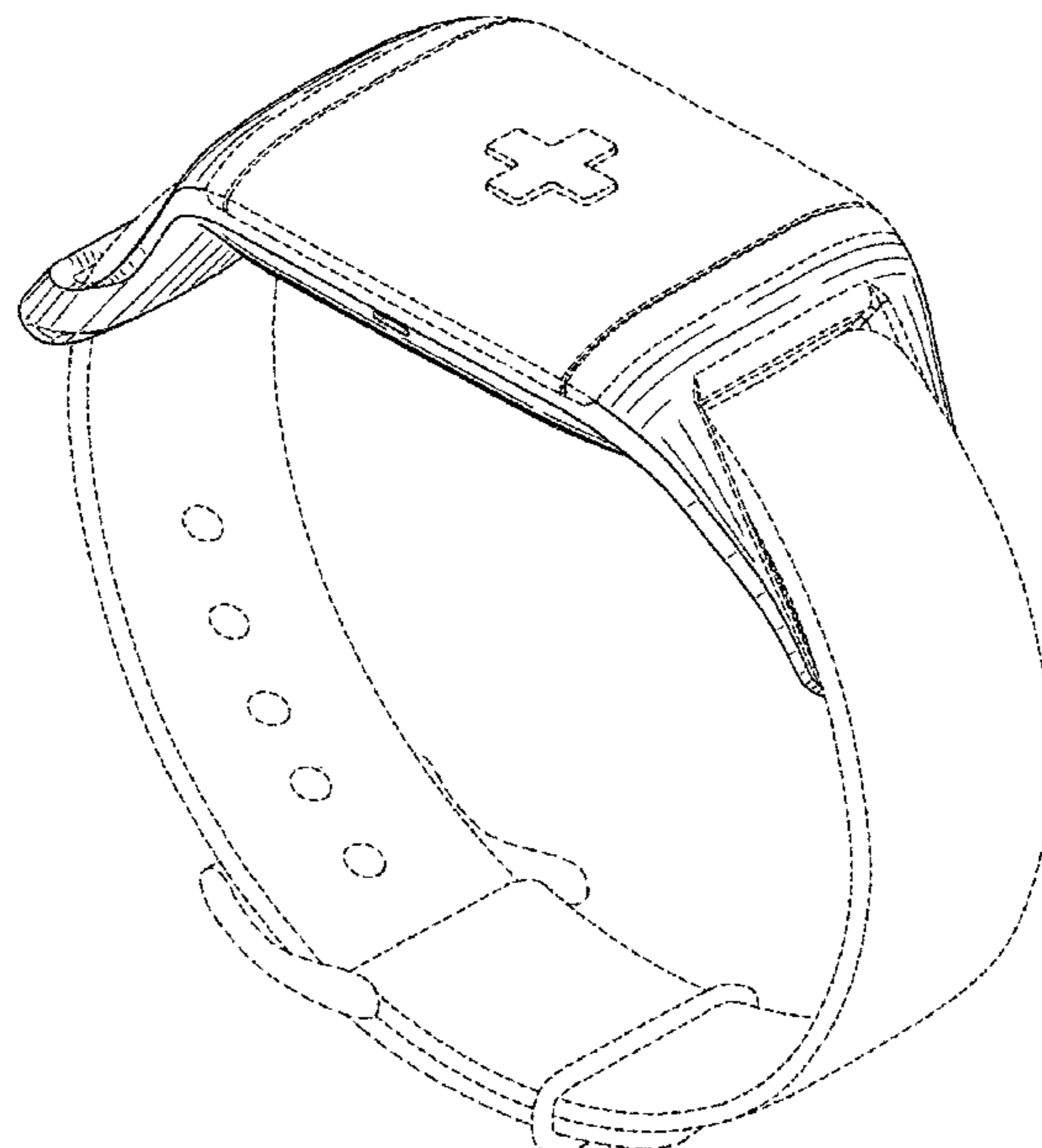
(57) **CLAIM**

The ornamental design for a wearable location and activity tracking device, as shown and described.

DESCRIPTION

FIG. 1 is a top front perspective view of a wearable location and activity tracking device of the present design; FIG. 2 is a right elevation view of the wearable location and activity tracking device of FIG. 1; FIG. 3 is a left elevation view of the wearable location and activity tracking device of FIG. 1; FIG. 4 is a top view of the wearable location and activity tracking device of FIG. 1; FIG. 5 is a bottom view of the wearable location and activity tracking device of FIG. 1; FIG. 6 is a rear elevation view of the wearable location and activity tracking device of FIG. 1; FIG. 7 is a front elevation view of the wearable location and activity tracking device of FIG. 1; and, FIG. 8 is a top front perspective view of the wearable location and activity tracking device of FIG. 1 when connected to a wearable strap. The broken lines depicting a wearable strap in FIG. 8 provide environmental context. The remaining broken lines depict portions of the wearable location and activity tracking device. The broken lines form no part of the claimed design.

1 Claim, 7 Drawing Sheets



(58) **Field of Classification Search**

USPC D11/78.1, 79, 86; D24/167, 169,
D24/186-187, 164
CPC A41D 1/002; A41D 19/0034; G04G 17/00;
G04G 17/02; G04G 17/08; G04G 17/083;
G04G 17/086; G04C 3/00; G04C 3/001;
G04C 3/002; G04C 3/004; G04C 3/005;
G04C 3/007; G04C 17/00; G04C 23/02;
G04C 23/04; G04B 3/04; G04B 19/24;
G04B 19/26; G04B 37/00; G04B
45/0069; G04B 47/04; G04B 37/0008;
G04B 37/0058; G04B 37/12; G04B
37/18; G04B 45/00; G04B 47/00; G04B
47/042; G04B 47/06; G04B 47/063
See application file for complete search history.

(56) **References Cited**

U.S. PATENT DOCUMENTS

D674,808 S * 1/2013 Axelrod D11/3
D715,664 S * 10/2014 Edgett D10/70
9,098,069 B2 * 8/2015 Dickinson G06F 1/163
D740,150 S * 10/2015 Howsam D11/3
9,152,129 B2 * 10/2015 Modaragamage ... G04B 47/063

D765,534 S * 9/2016 Schone D11/3
9,471,102 B2 * 10/2016 Townsend G06F 1/163
9,639,058 B1 * 5/2017 Mohanty A44C 5/14
D803,709 S * 11/2017 Le Bihan D10/70
D816,080 S * 4/2018 Chen D14/344
10,016,161 B2 * 7/2018 Townsend A61B 5/1112
D826,763 S * 8/2018 Chuang D11/3
D830,874 S * 10/2018 Shames D10/130
10,136,543 B1 * 11/2018 Nadkarni H05K 7/1427
D835,364 S * 12/2018 Lee D30/199
D865,546 S * 11/2019 Kellock D10/70
10,509,366 B2 * 12/2019 Godoy G02B 25/002

OTHER PUBLICATIONS

OptimalDesign > Careband Lora Wearable, posted unknown, [retrieved Dec. 19, 2019]. Retrieved from Internet, <URL: https://optimaldesignco.com/case_studies/careband/ >.*

Very interesting to meet #Chicago hardware startup @Care Band during @AlphaLabGear, posted Apr. 3, 2018, [retrieved Dec. 19, 2019]. Retrieved from Internet, <URL: <https://twitter.com/pdp7/status/981411539474354176> >.*

Careband, posted unknown, [retrieved Dec. 19, 2019]. Retrieved from Internet, <URL: <https://carebandremembers.com/#innovation> >.*

* cited by examiner

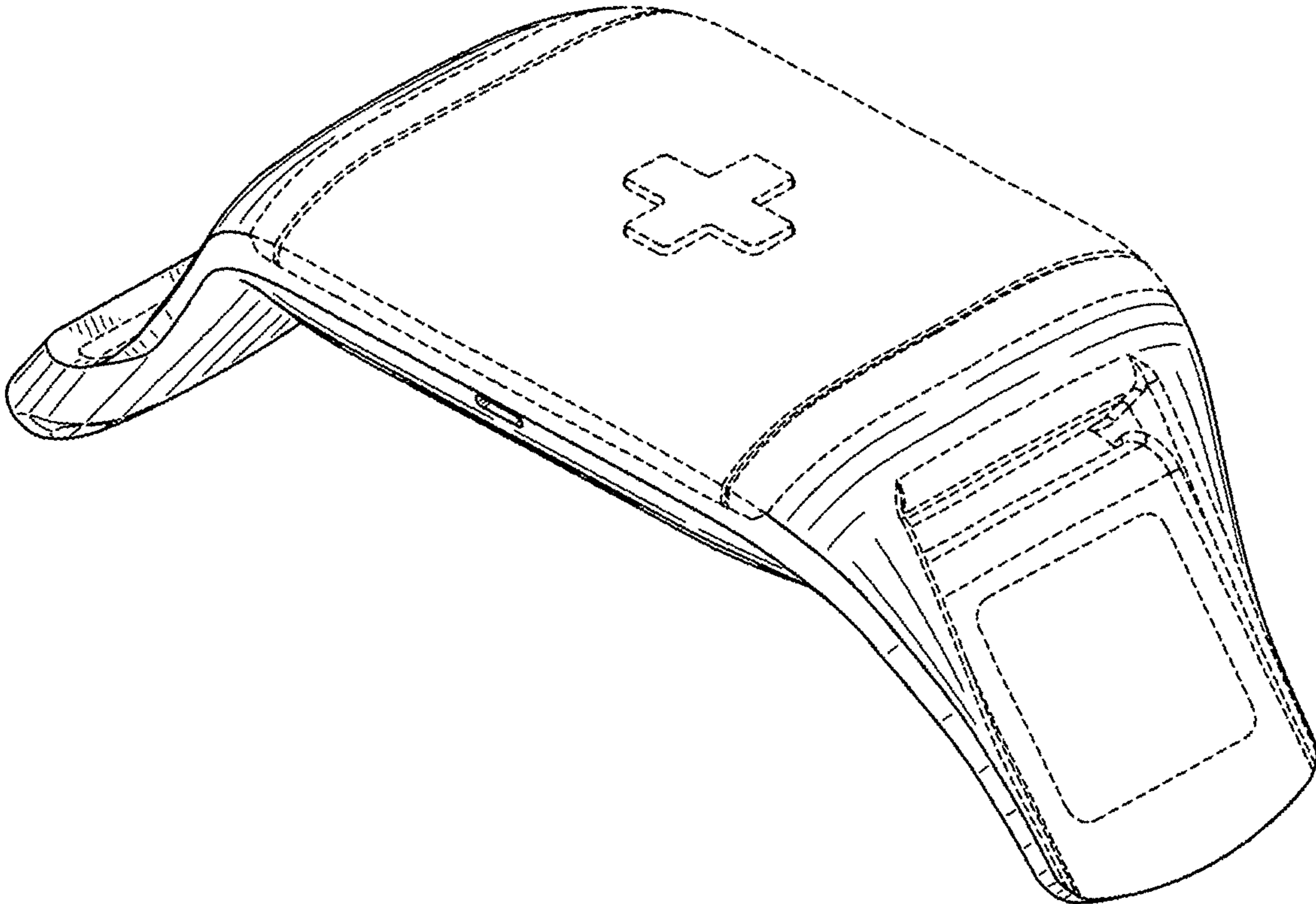


FIG. 1

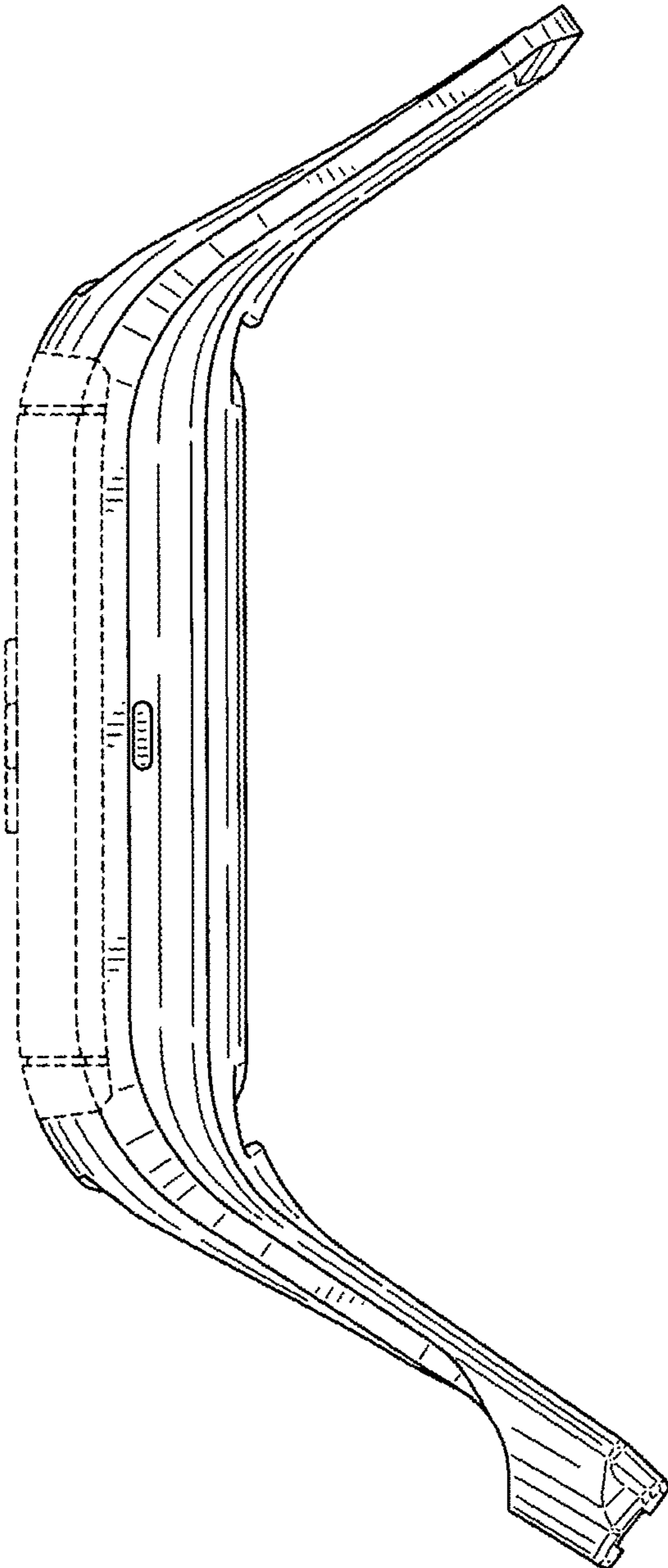


FIG. 2

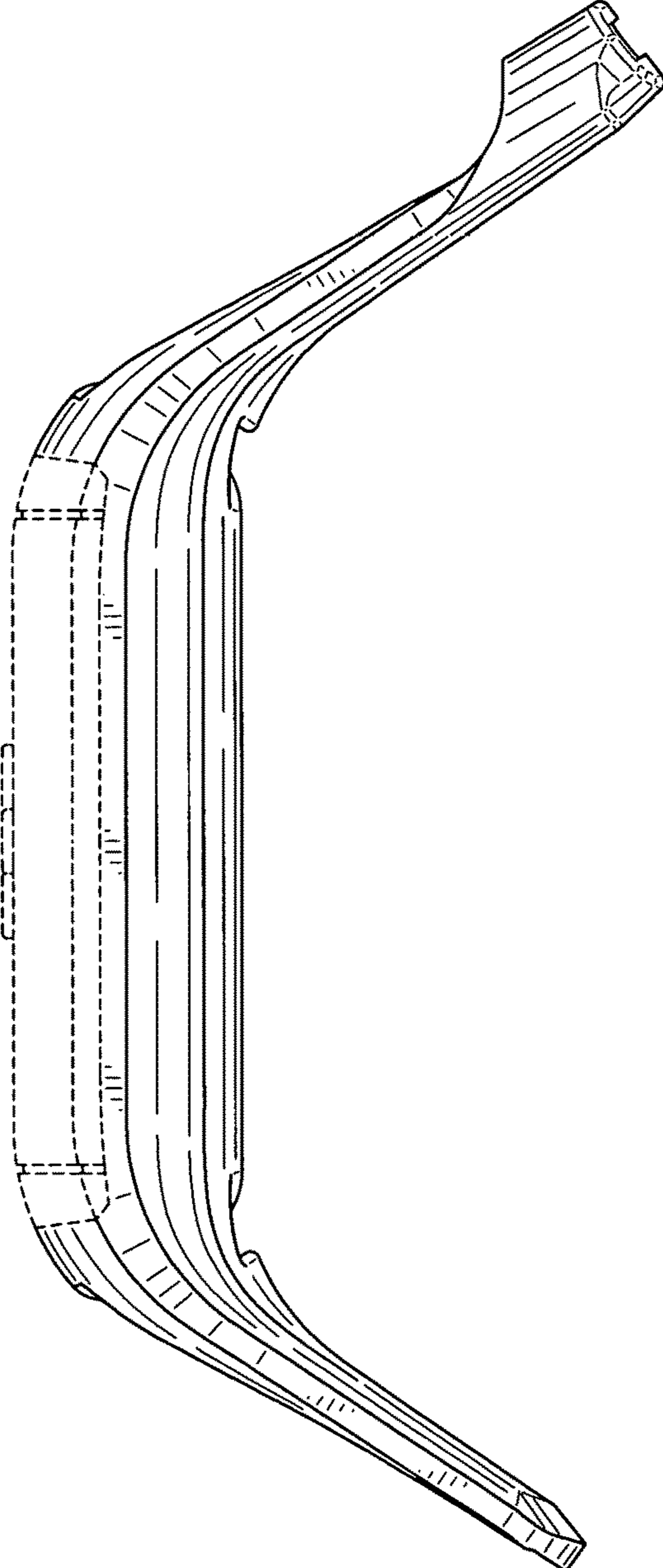


FIG. 3

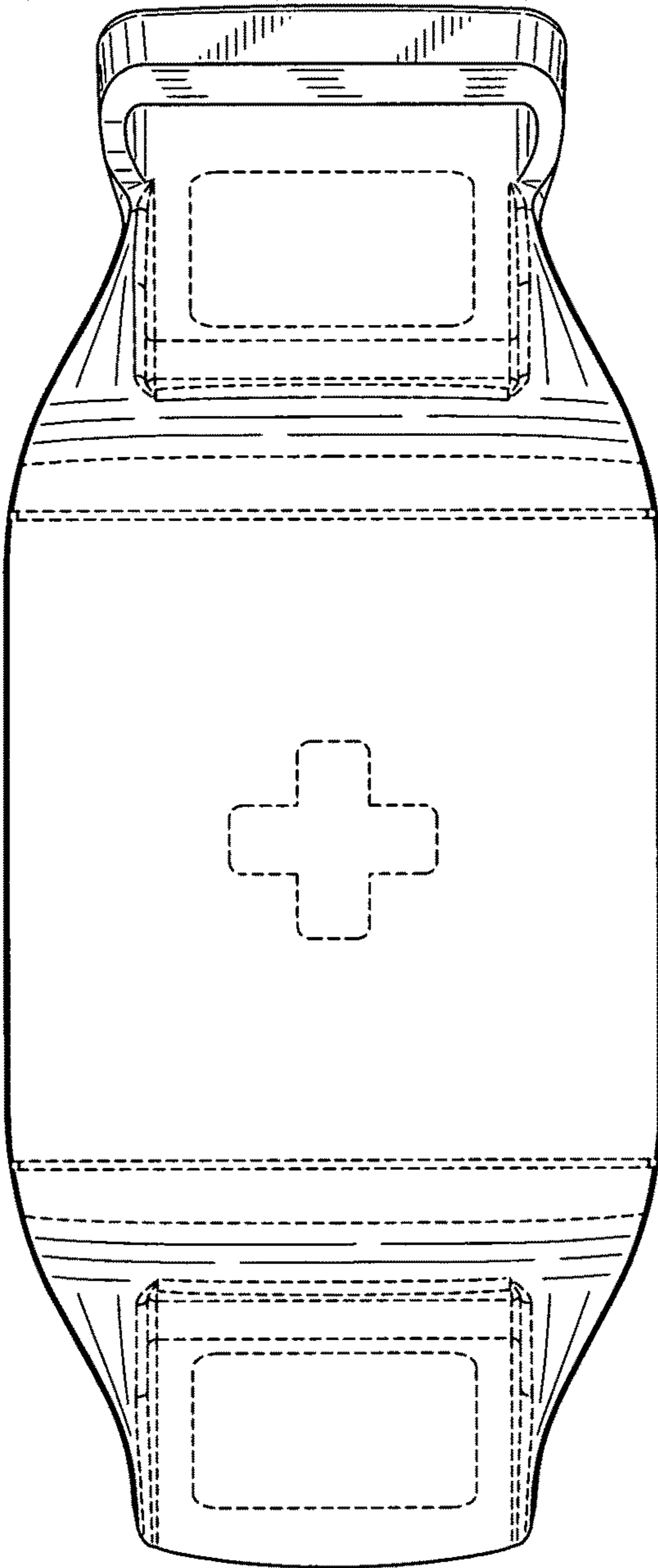


FIG. 4

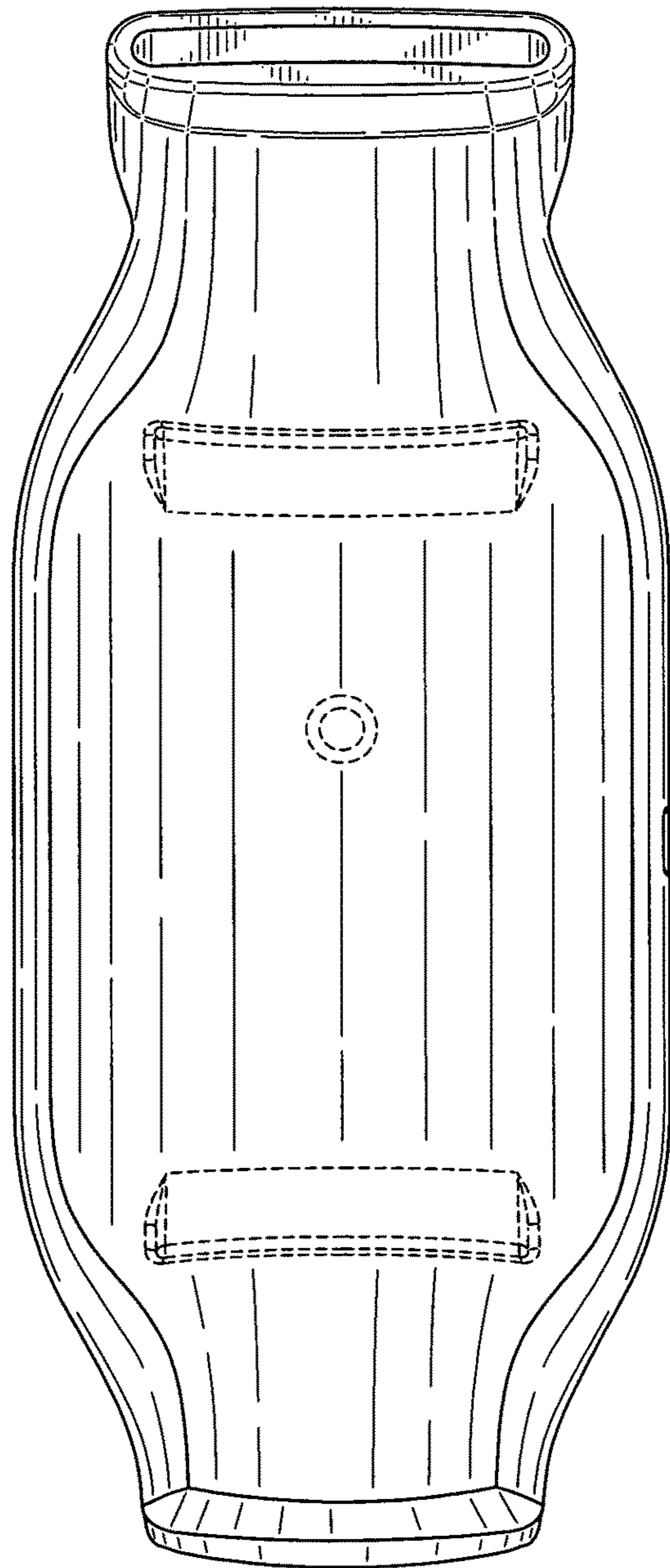


FIG. 5

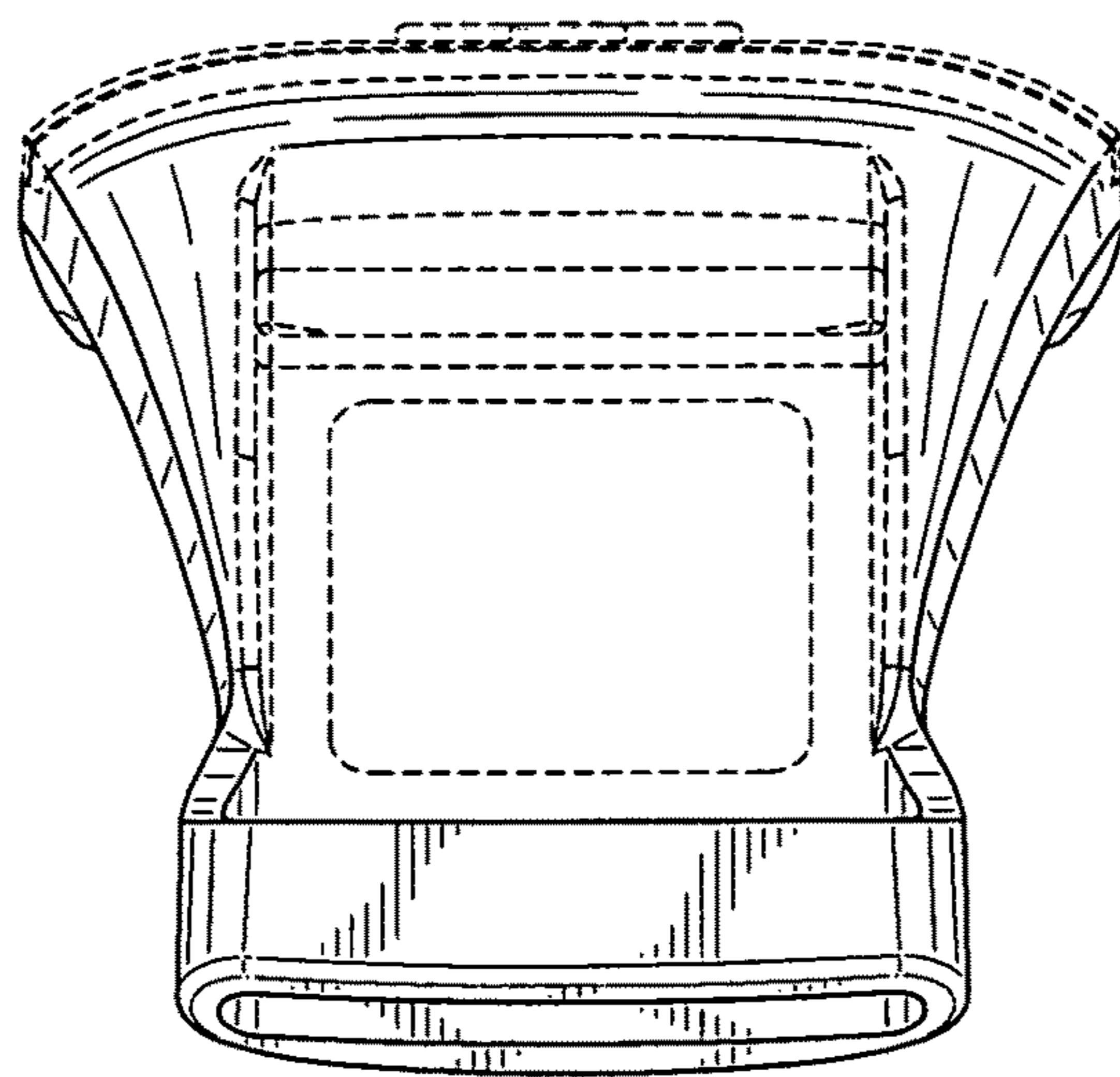


FIG. 6

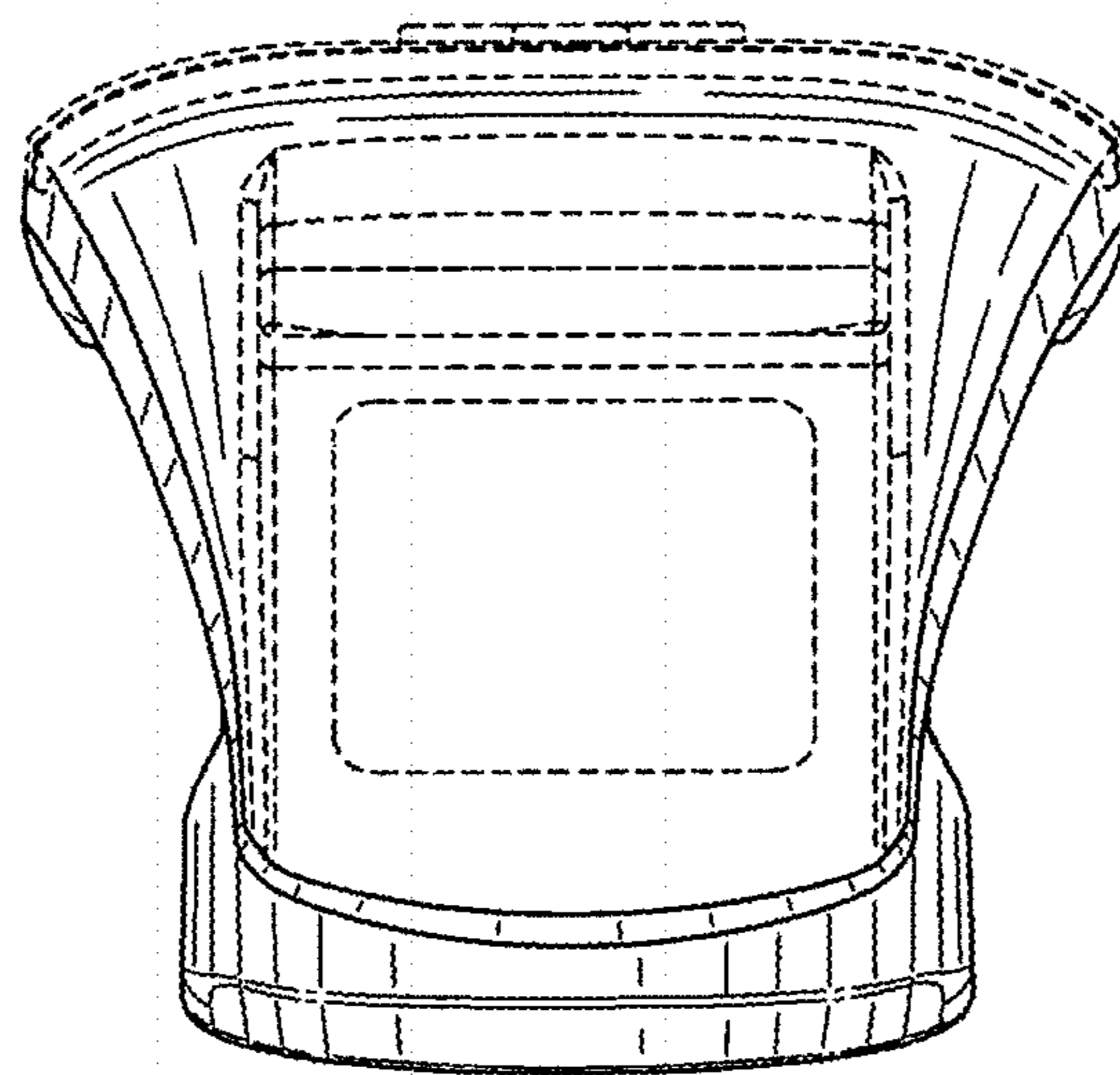


FIG. 7

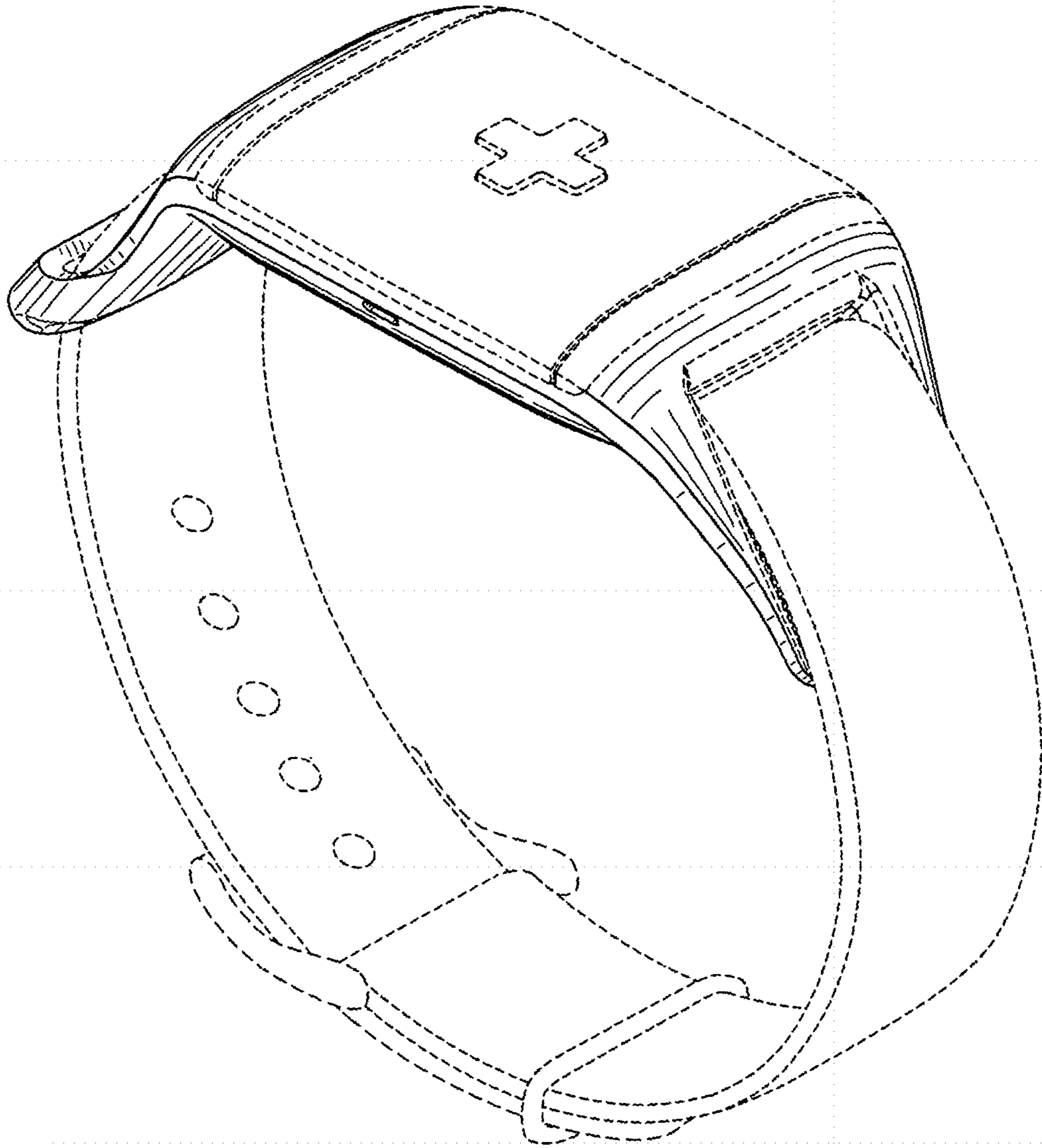


FIG. 8