

US00D900810S

(12) **United States Design Patent** (10) **Patent No.:** **US D900,810 S**
Ke (45) **Date of Patent:** **** Nov. 3, 2020**

(54) **SMART BRACELET**

(71) Applicant: **Shenzhen Yawell Intelligent Technology Co., Ltd.**, Shenzhen, Guangdong (CN)

(72) Inventor: **Xiaojun Ke**, Hubei Province (CN)

(**) Term: **15 Years**

(21) Appl. No.: **29/712,640**

(22) Filed: **Nov. 11, 2019**

(30) **Foreign Application Priority Data**

Sep. 20, 2019 (CN) 2019 3 0519190

(51) **LOC (12) Cl.** **14-02**

(52) **U.S. Cl.**
USPC **D14/344**

(58) **Field of Classification Search**
USPC ... D14/344, 138 R, 144, 341, 358, 205, 223,
D14/249; D10/30-39, 70, 98; D11/3, 4,
D11/26, 93-94, 78.1, 79, 86; D24/167,
D24/169, 186-187, 164

CPC G06F 1/163; G06F 3/014; G04G 21/08;
G04G 15/00; A61B 5/681; H04M 1/7253

See application file for complete search history.

(56) **References Cited**

U.S. PATENT DOCUMENTS

D725,497 S * 3/2015 Henne D10/38
D747,979 S * 1/2016 Babcock D10/30
D750,622 S * 3/2016 Chen D10/38
D766,115 S * 9/2016 Ma D10/38
D805,513 S * 12/2017 Akana D14/344
9,851,753 B2 * 12/2017 Gao G06F 1/163
D816,080 S 4/2018 Chen et al.
D843,864 S * 3/2019 Vandebussche D10/70
D852,648 S * 7/2019 Chen D10/32
D862,462 S * 10/2019 Zhang D14/344
D863,095 S * 10/2019 Akana D11/3

D865,759 S * 11/2019 Haranaka D14/344
D869,461 S * 12/2019 Ke D14/344
D876,244 S * 2/2020 Park D10/32
D881,185 * 4/2020 He D14/344
2015/0248235 A1 * 9/2015 Offenber G06F 3/017
715/773

(Continued)

FOREIGN PATENT DOCUMENTS

CN 305445573 * 11/2019
CN 305508851 * 12/2019

OTHER PUBLICATIONS

Pebble Time Steel review, announced Aug. 10, 2015 [online], [retrieved Feb. 17, 2020]. Available from Internet, URL <<https://www.cnet.com/reviews/pebble-time-steel-review/>> (Year: 2015).*

(Continued)

Primary Examiner — Dana K Weiland
(74) *Attorney, Agent, or Firm* — ZANIP

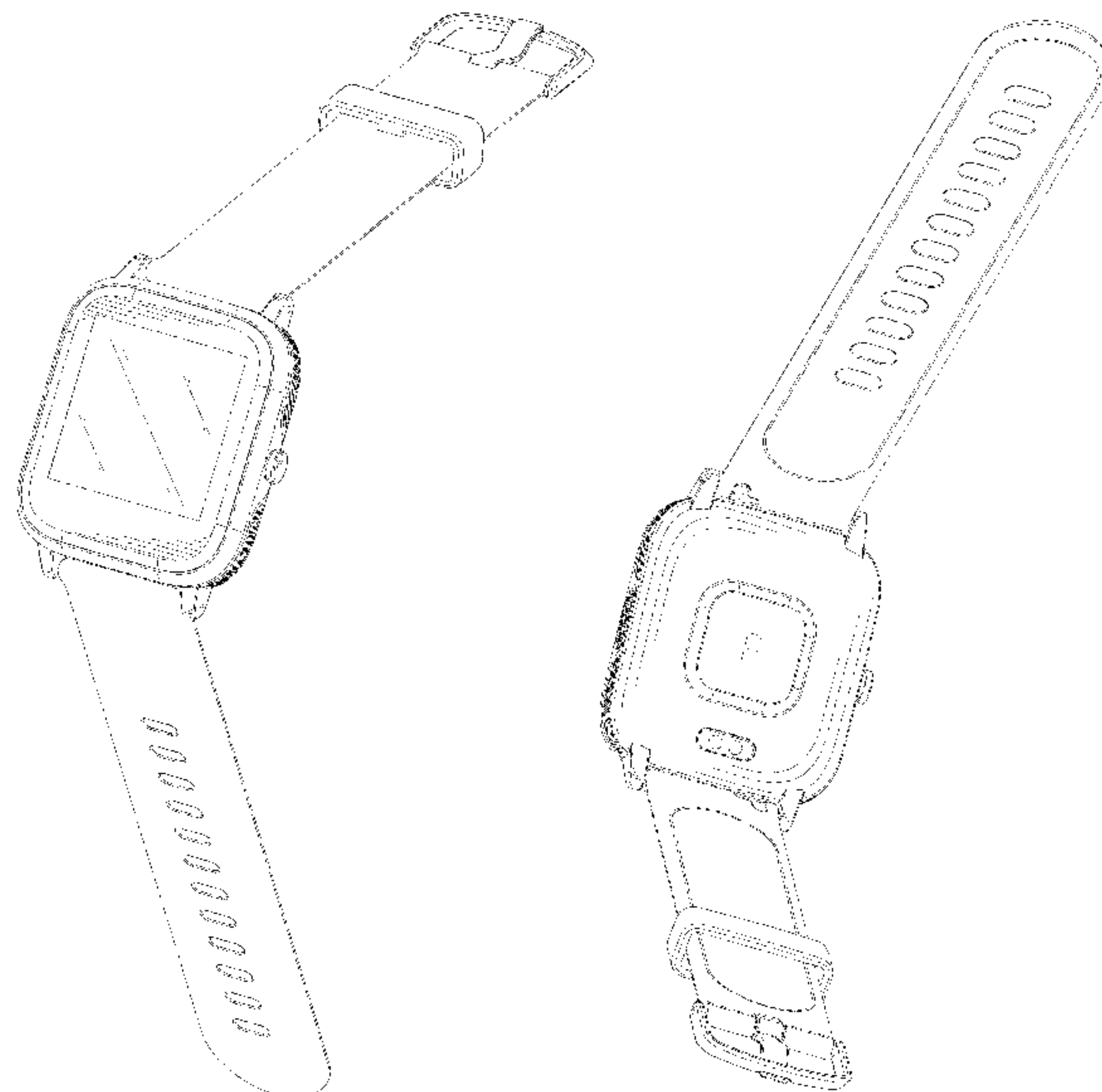
(57) **CLAIM**

The ornamental design for a smart bracelet, as shown and described.

DESCRIPTION

FIG. 1 is a front perspective view of a smart bracelet, showing, my new design;
FIG. 2 is a rear perspective view thereof;
FIG. 3 is a front elevational view thereof;
FIG. 4 is a rear elevational view thereof;
FIG. 5 is a right side elevational view thereof;
FIG. 6 is a left side elevational view thereof;
FIG. 7 is a top plan view thereof; and,
FIG. 8 is a bottom plan view thereof.
The broken lines in the figures illustrate portions of the smart bracelet that form no part of the claimed design.

1 Claim, 8 Drawing Sheets



(56)

References Cited

U.S. PATENT DOCUMENTS

2019/0059752 A1* 2/2019 Botsva A61B 5/0245

OTHER PUBLICATIONS

LETSCOM Fitness Tracker, announced Jun. 25, 2019 [online], [retrieved Feb. 17, 2020]. Available from Internet, URL <https://www.amazon.com/LETSCOM-Fitness-Activity-Waterproof-Pedometer/dp/B07TJW5153/ref=sr_1_8?keywords=Y7+Fitness+Tracker&qid=1581982734&s=electronics&sr=1-8> (Year: 2019).*

* cited by examiner

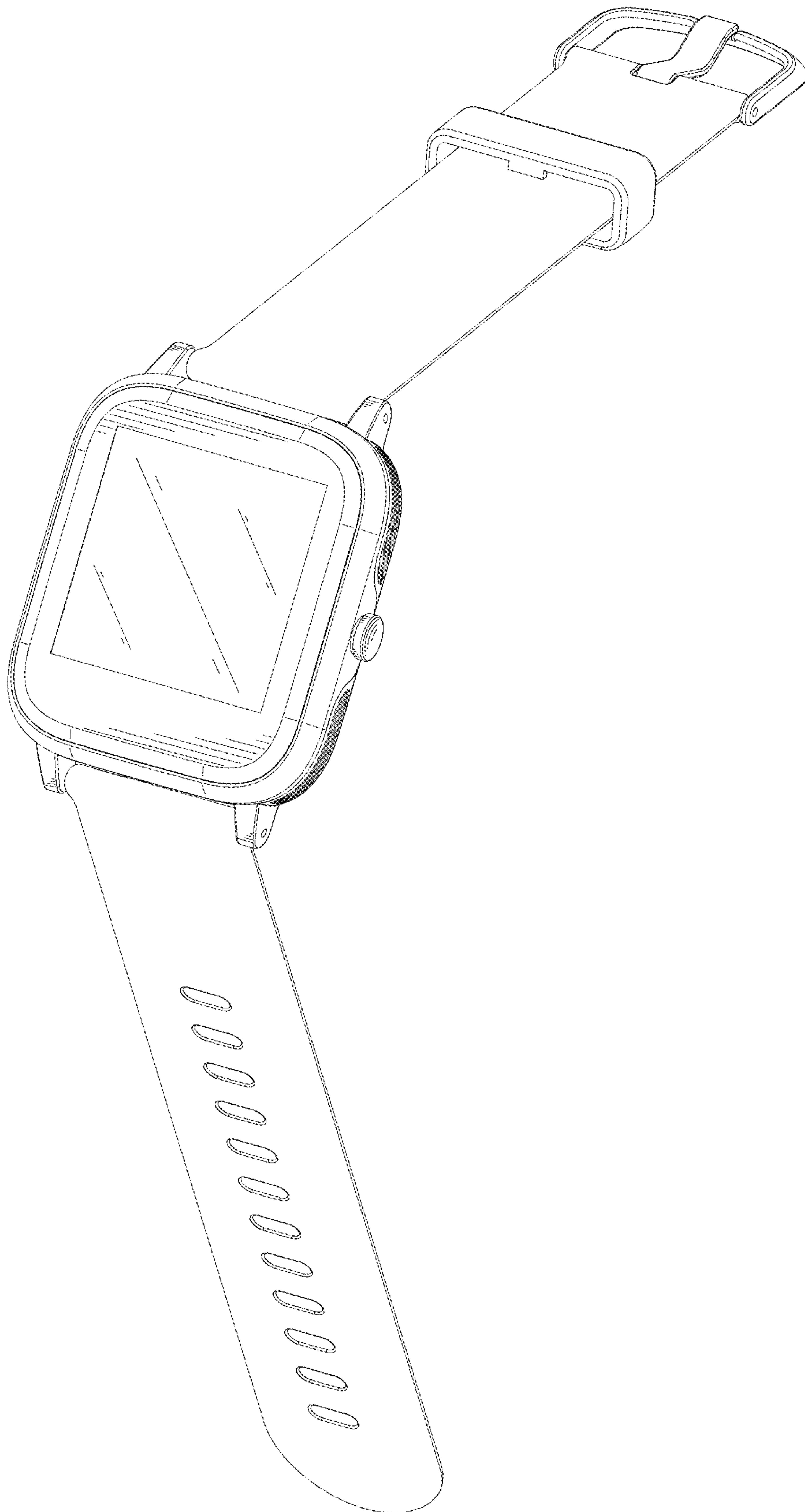


FIG. 1

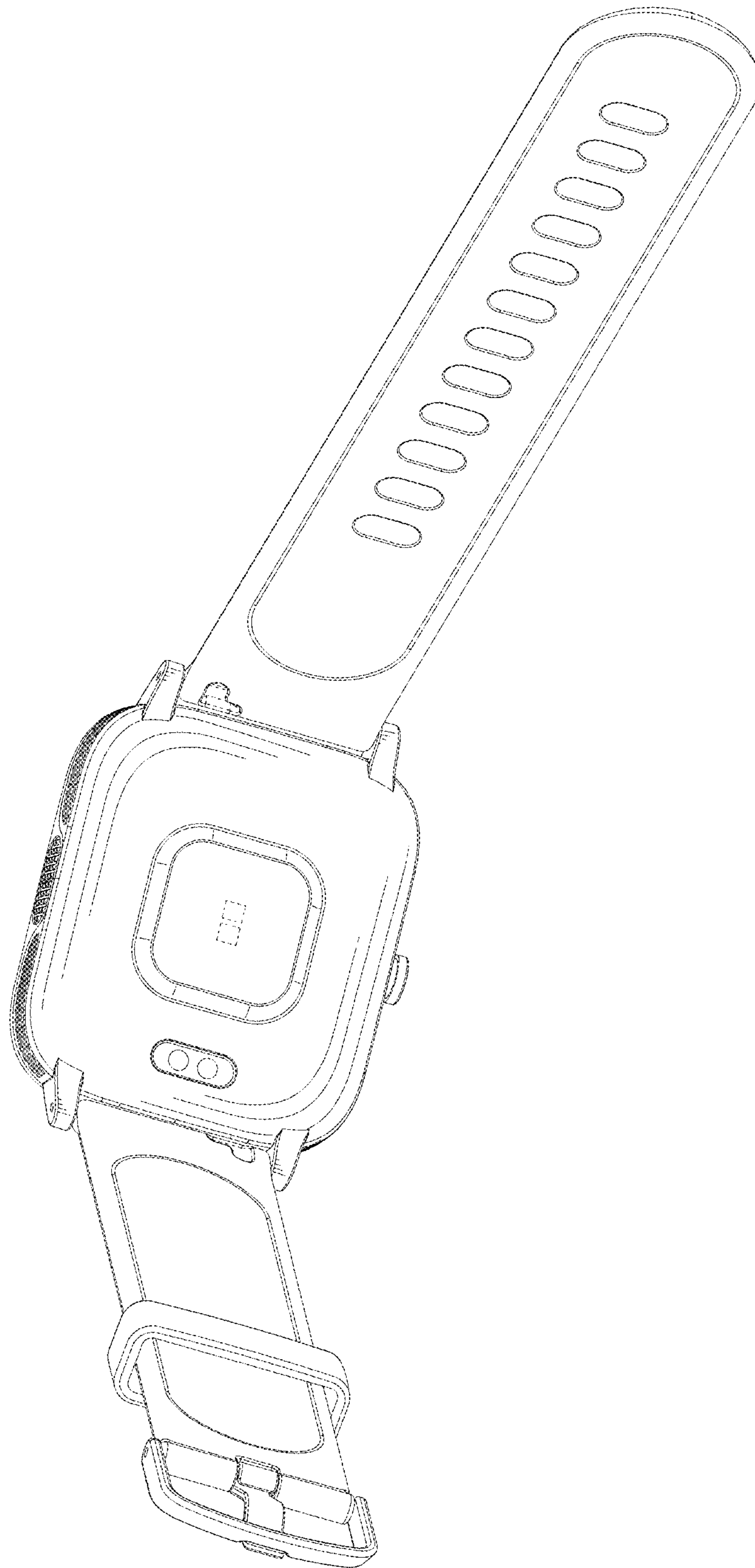


FIG. 2

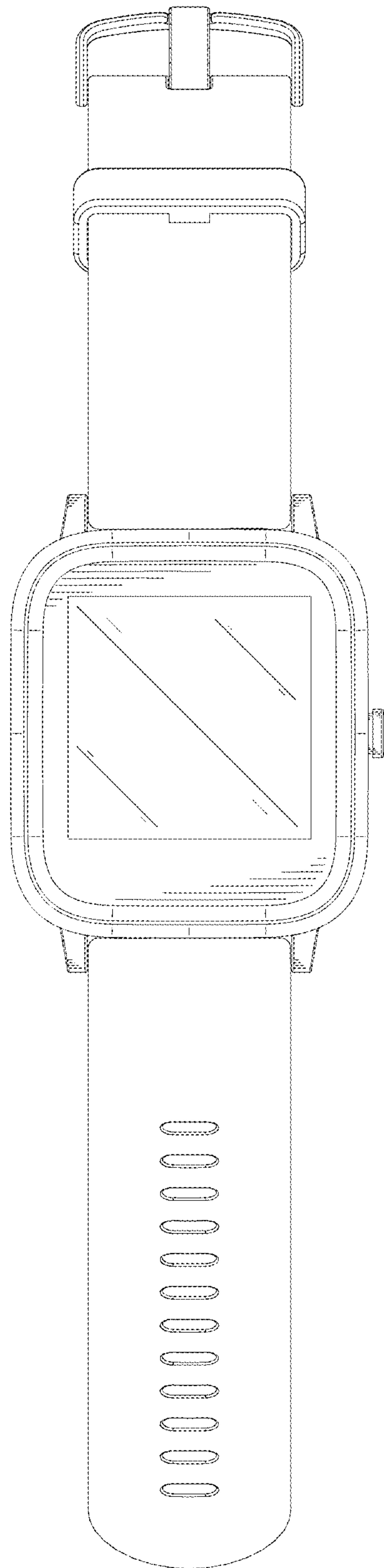


FIG. 3

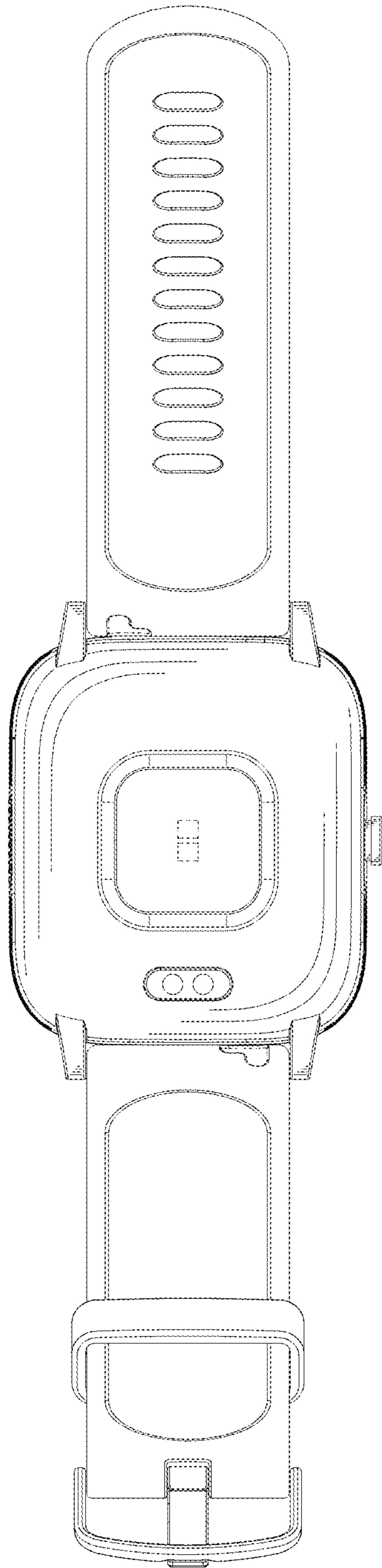


FIG. 4

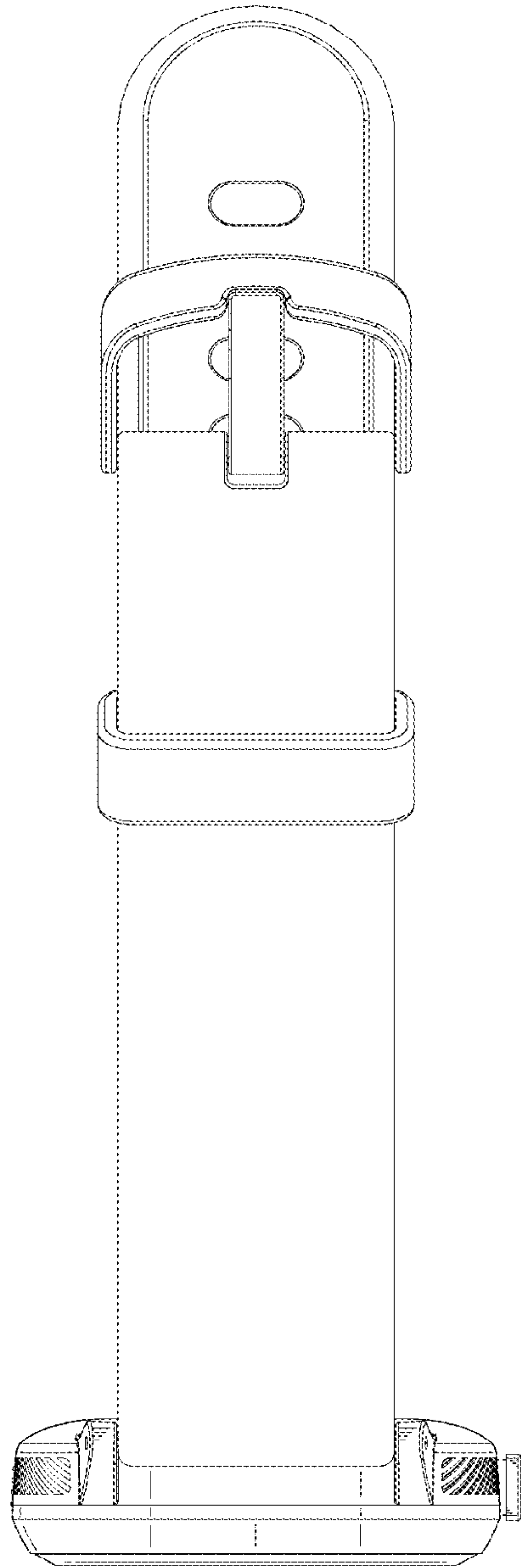


FIG. 5

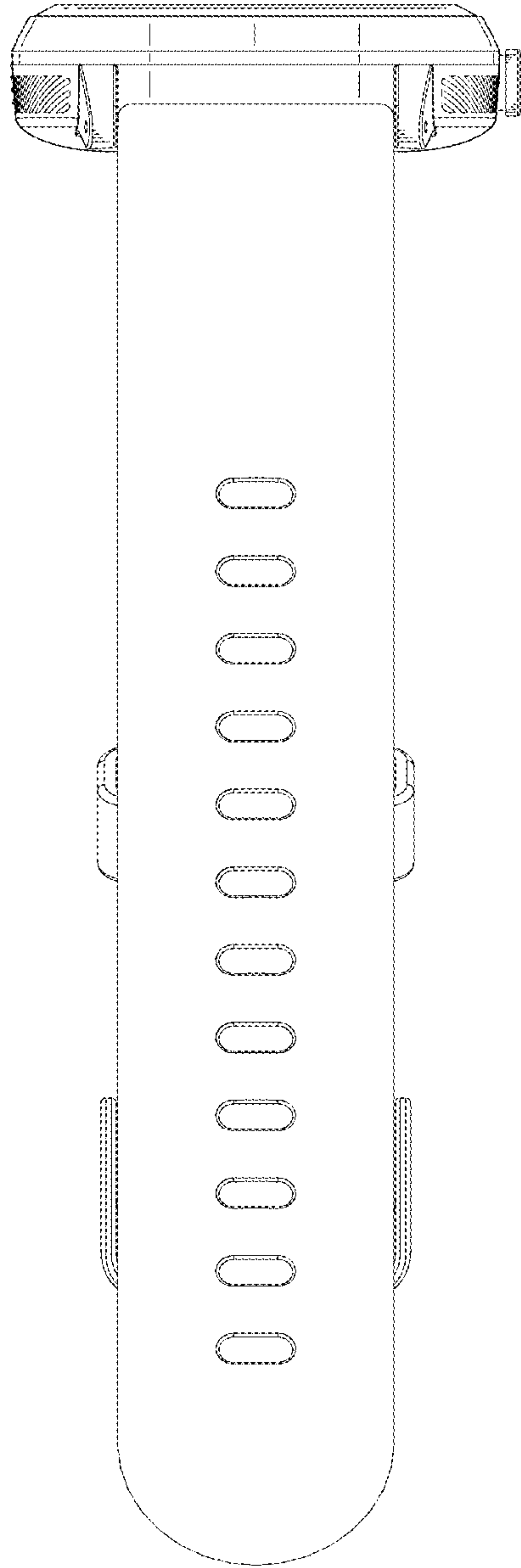


FIG. 6

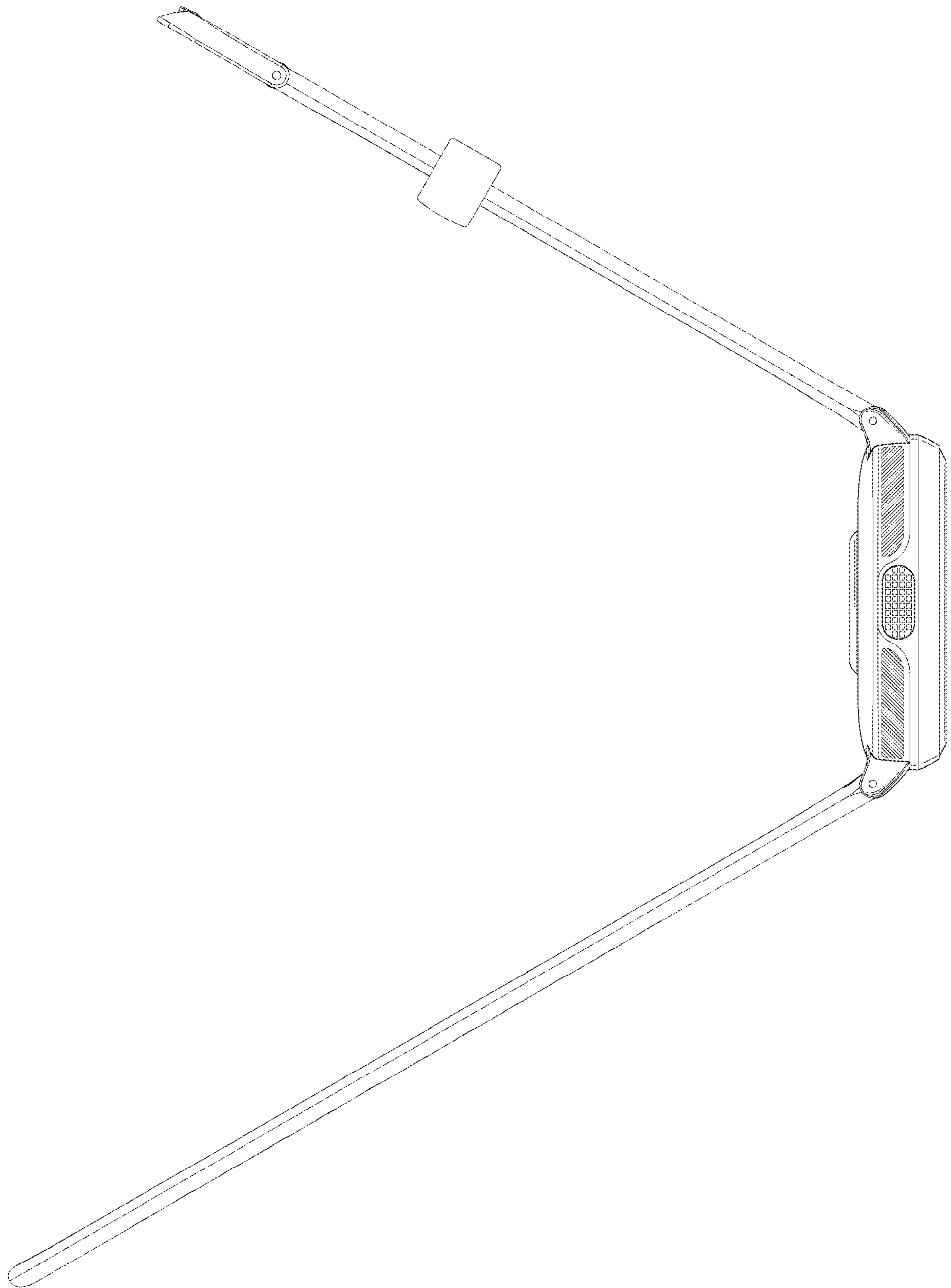


FIG. 7

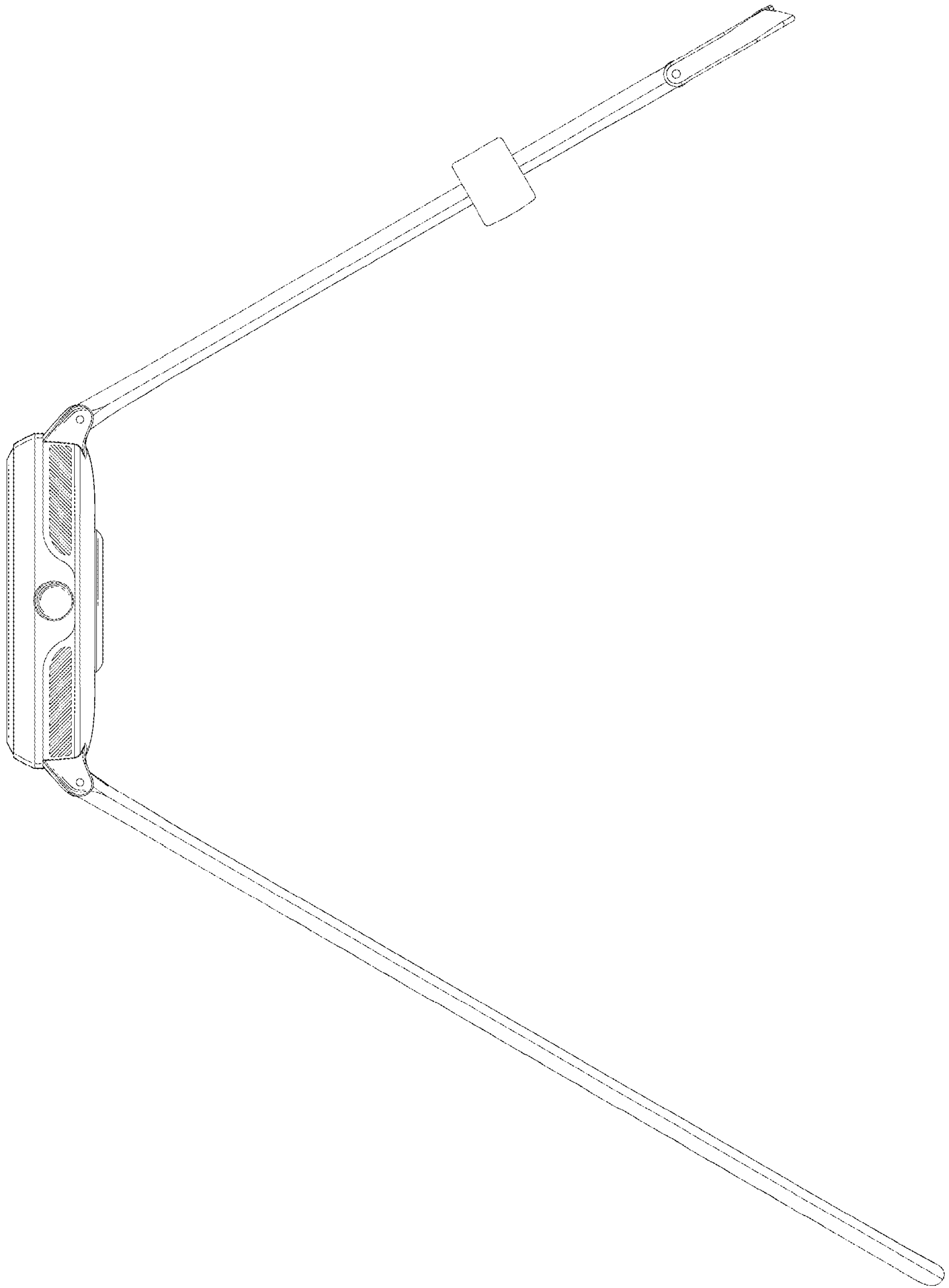


FIG. 8