



US00D900809S

(12) **United States Design Patent** (10) **Patent No.:** **US D900,809 S**  
**Gao** (45) **Date of Patent:** **\*\* Nov. 3, 2020**

(54) **SMART BRACELET**

(71) Applicant: **Shenzhen Yawell Intelligent Technology Co., Ltd.**, Shenzhen, Guangdong (CN)

(72) Inventor: **Jinfeng Gao**, Hubei Province (CN)

(\*\*) Term: **15 Years**

(21) Appl. No.: **29/711,977**

(22) Filed: **Nov. 4, 2019**

(51) **LOC (12) Cl.** ..... **14-02**

(52) **U.S. Cl.**  
USPC ..... **D14/344**

(58) **Field of Classification Search**  
USPC ... D14/344, 138 R, 144, 341, 358, 205, 223, D14/249; D10/30-39, 70, 98; D11/3, 4, D11/26, 93-94, 78.1, 79, 86; D24/167, D24/169, 186-187, 164  
CPC ..... G06F 1/163; G06F 3/014; G04G 21/08; G04G 15/00; A61B 5/681; H04M 1/7253  
See application file for complete search history.

(56) **References Cited**

**U.S. PATENT DOCUMENTS**

D737,157 S *	8/2015	Akana	.....	D10/32
D737,158 S *	8/2015	Akana	.....	D10/32
D737,159 S *	8/2015	Akana	.....	D10/32
D744,356 S *	12/2015	Akana	.....	D10/70
D747,979 S *	1/2016	Babcock	.....	D10/30
D784,346 S *	4/2017	Tao	.....	D10/103
D805,513 S *	12/2017	Akana	.....	D14/344
9,851,753 B2 *	12/2017	Gao	.....	G06F 1/163
D816,080 S	4/2018	Chen et al.		
D828,352 S *	9/2018	Akana	.....	D14/344
D837,206 S *	1/2019	Guan	.....	D14/344
D839,753 S *	2/2019	Domke	.....	D10/30
D842,855 S *	3/2019	Akana	.....	D14/344
D843,864 S *	3/2019	Vandenbussche	.....	D10/70
D863,095 S *	10/2019	Akana	.....	D11/3

D869,461 S *	12/2019	Ke	.....	D14/344
D869,462 S *	12/2019	Ke	.....	D14/344
D876,244 S *	2/2020	Park	.....	D10/32
2015/0248235 A1 *	9/2015	Offenberg	.....	G06F 3/017 715/773

(Continued)

**FOREIGN PATENT DOCUMENTS**

CN	305254472	*	7/2019
CN	305559117	*	1/2020
EM	006428686-0001	*	8/2019

**OTHER PUBLICATIONS**

Fitbit Versa 2 Health & Fitness Smartwatch, announced Nov. 19, 2019 [online], [retrieved Feb. 17, 2020]. Available from Internet, URL: <<https://www.amazon.com/Fitbit-Fitness-Smartwatch-Tracking-Included/dp/B07TWFVDWT>> (Year: 2019).\*

(Continued)

*Primary Examiner* — Dana K Weiland  
(74) *Attorney, Agent, or Firm* — ZanIP

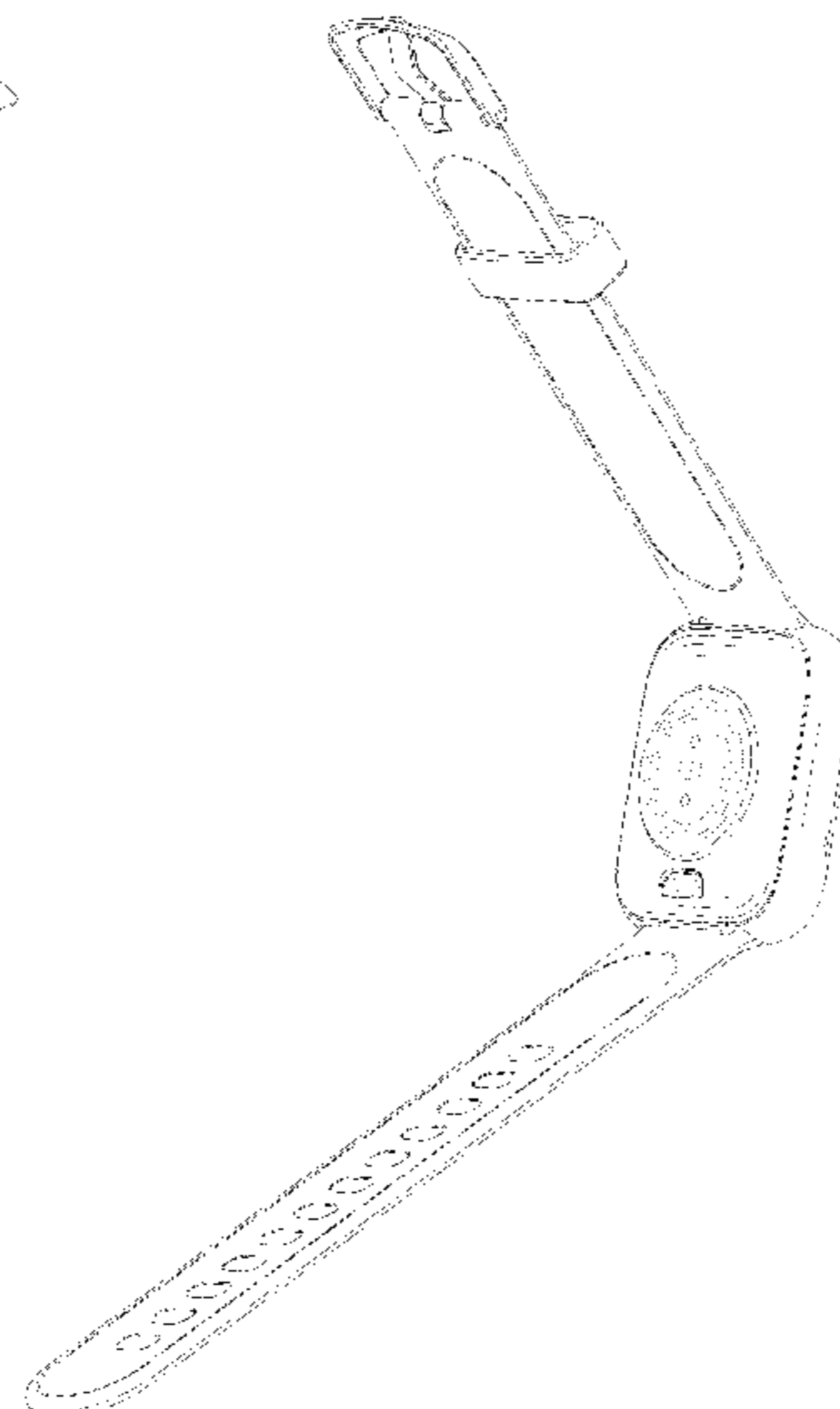
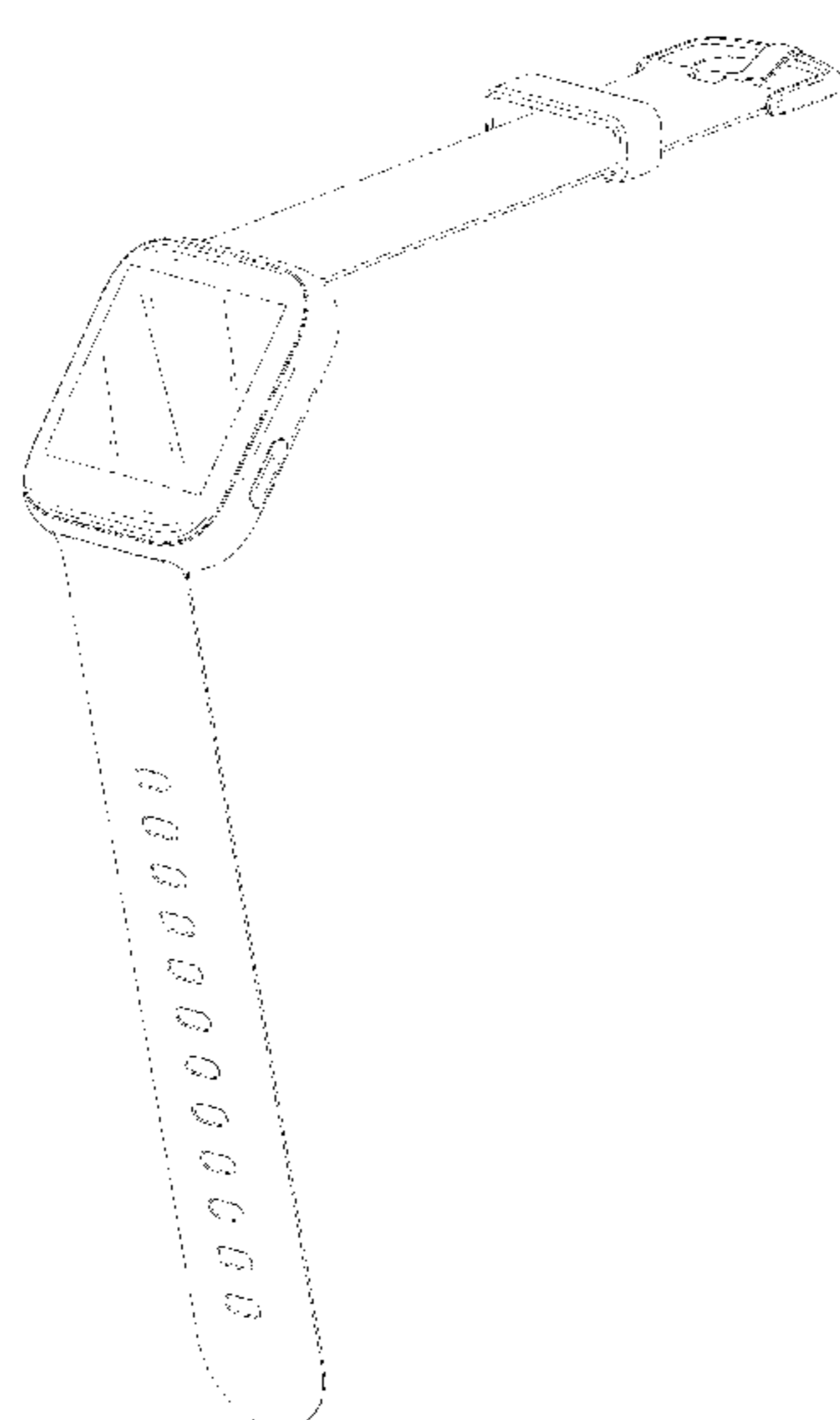
(57) **CLAIM**

The ornamental design for a smart bracelet, as shown and described.

**DESCRIPTION**

FIG. 1 is a front and top perspective view of a smart bracelet, showing my new design;  
FIG. 2 is a rear and bottom perspective view thereof;  
FIG. 3 is a front elevational view thereof;  
FIG. 4 is a rear elevational view thereof;  
FIG. 5 is a right side elevational view thereof;  
FIG. 6 is a left side elevational view thereof;  
FIG. 7 is a top plan view thereof; and,  
FIG. 8 is a bottom plan view thereof.  
The broken lines in the figures illustrate portions of the smart bracelet that form, no part of the claimed design.

**1 Claim, 8 Drawing Sheets**



(56)

**References Cited**

U.S. PATENT DOCUMENTS

2018/0255015 A1\* 9/2018 Ahn ..... G06F 3/04883  
2019/0059752 A1\* 2/2019 Botsva ..... A61B 5/0245

OTHER PUBLICATIONS

F8 Smart Watch, announced Sep. 23, 2019 [online], [retrieved Feb. 17, 2020]. Available from Internet, URL: <<https://www.amazon.com/1-3-inch-Waterproof-Bracelet-Pressure-Android/dp/B07Y89SK9M>> (Year: 2019).\*

Y7 Smart Watch Fitness Tracker, announced Jan. 31, 2019 [online], [retrieved Feb. 17, 2020]. Available from Internet, URL: <<https://www.amazon.in/Fitness-Touchscreen-Pedometer-Reminder-Smartphones/dp/B07N9WGC3M>> (Year: 2019).\*

\* cited by examiner

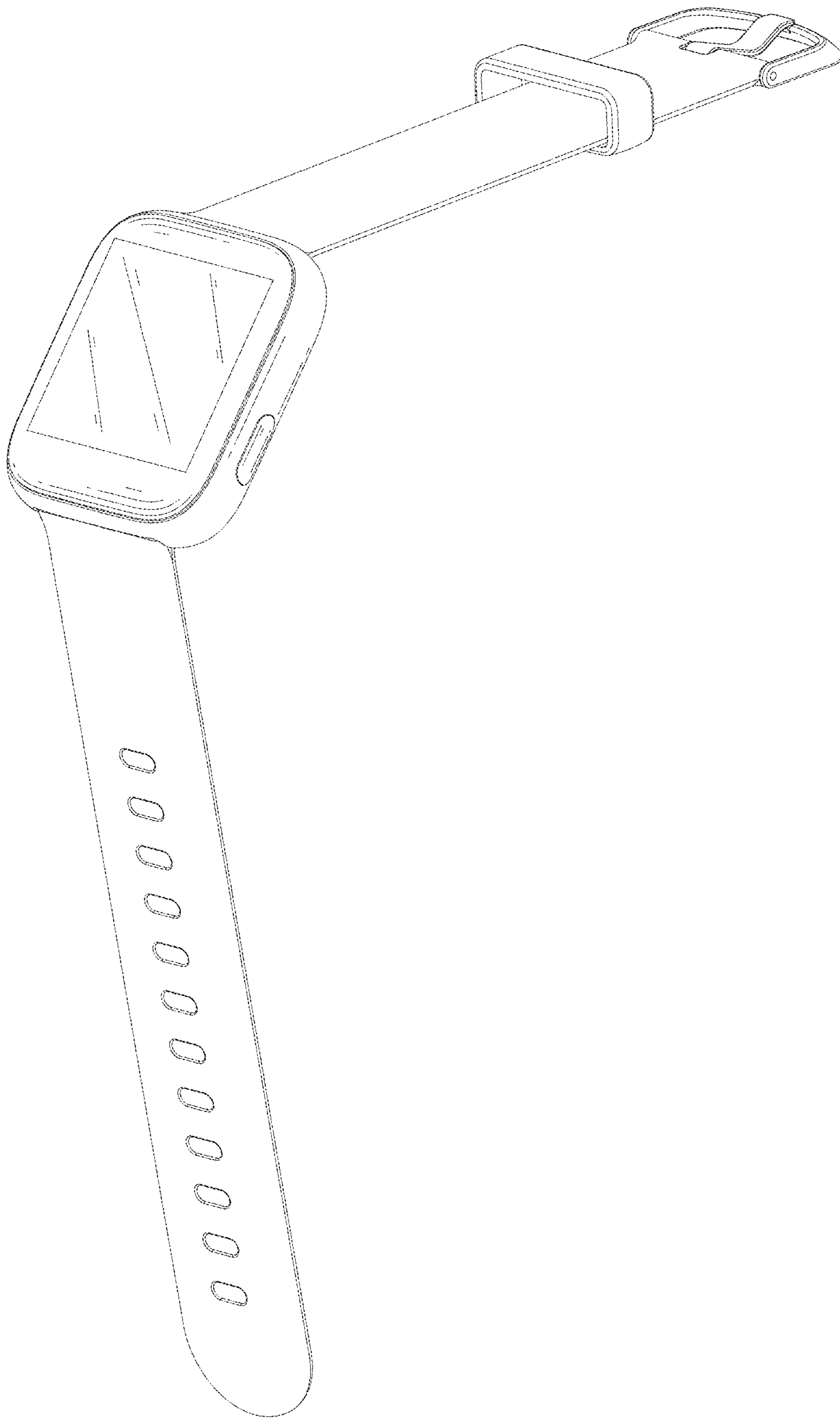


FIG. 1

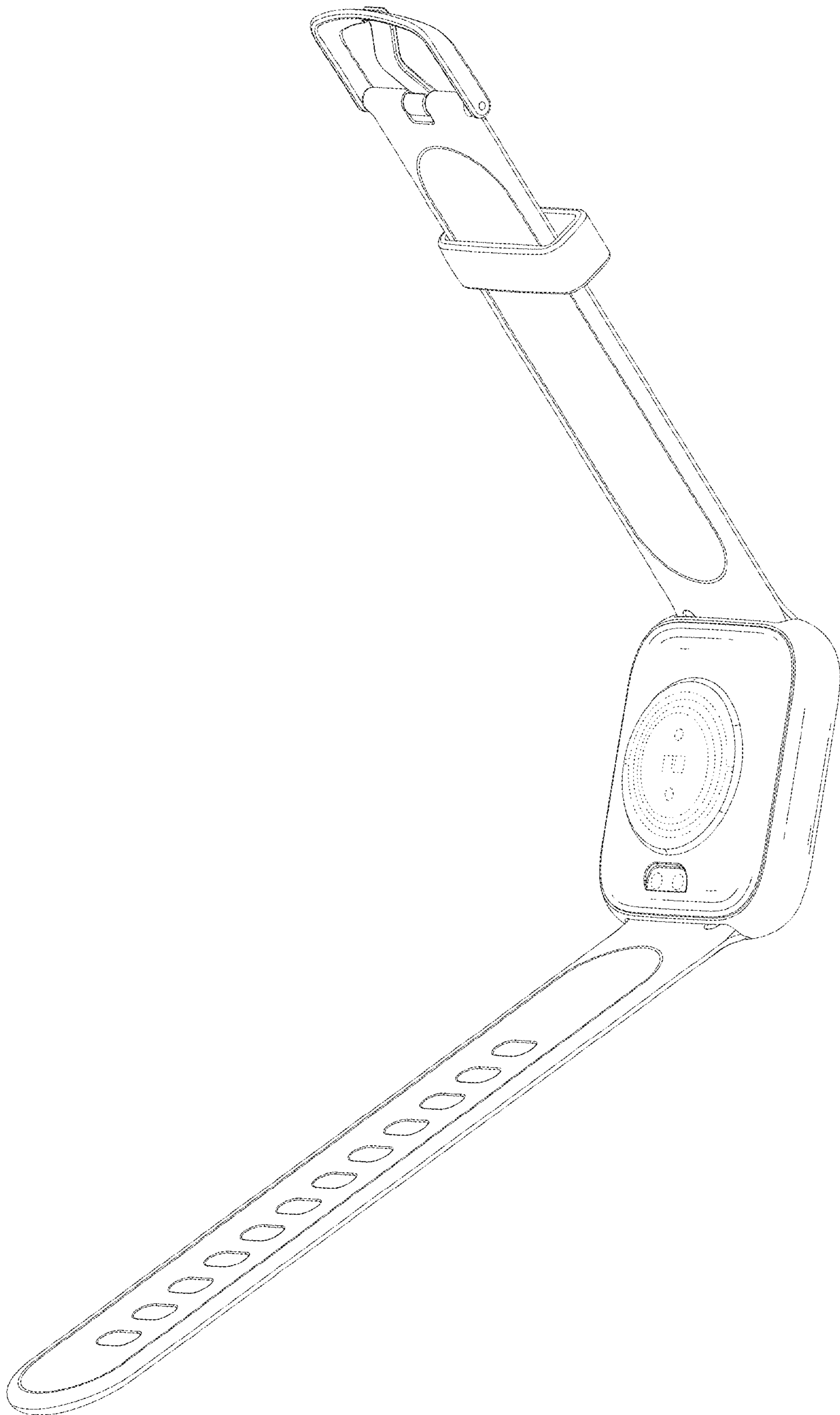


FIG. 2

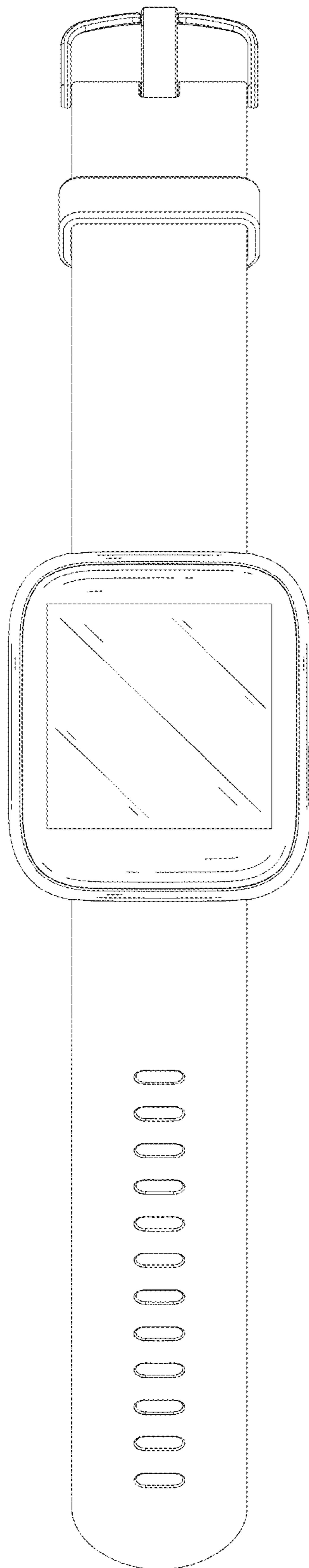


FIG. 3

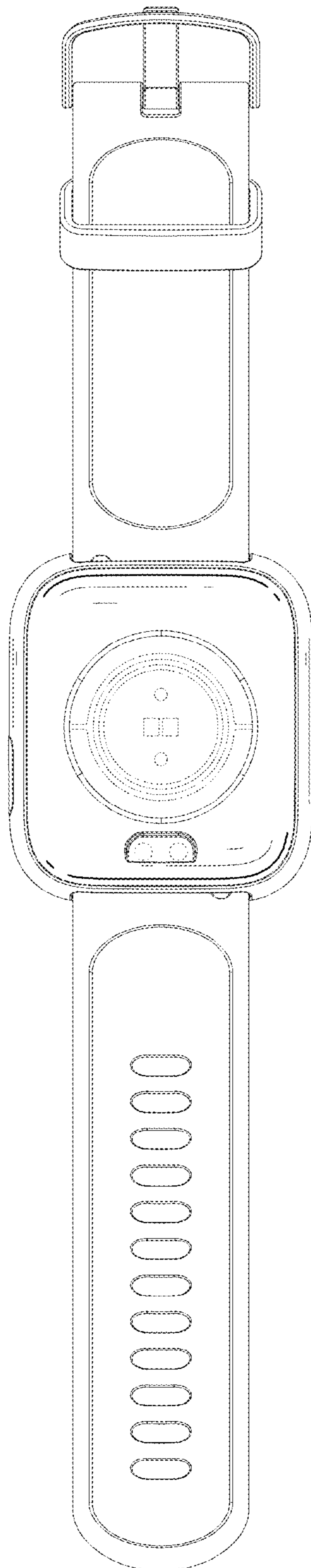


FIG. 4

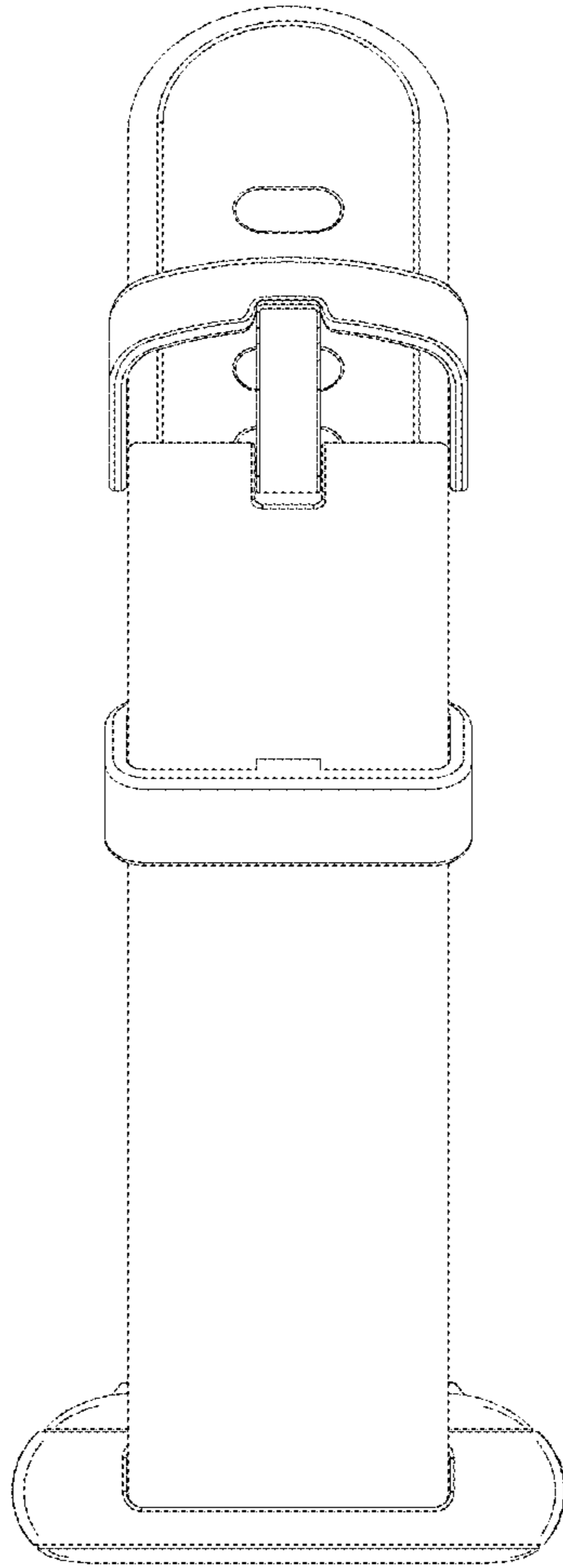


FIG. 5

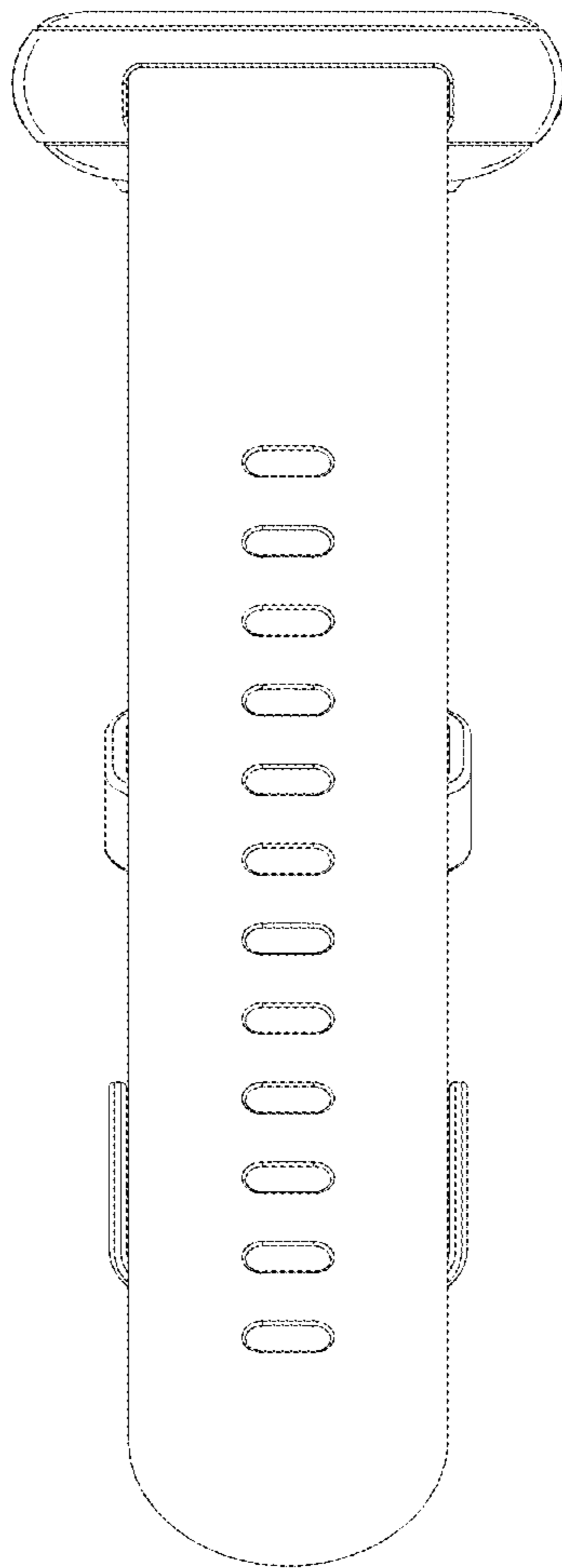


FIG. 6



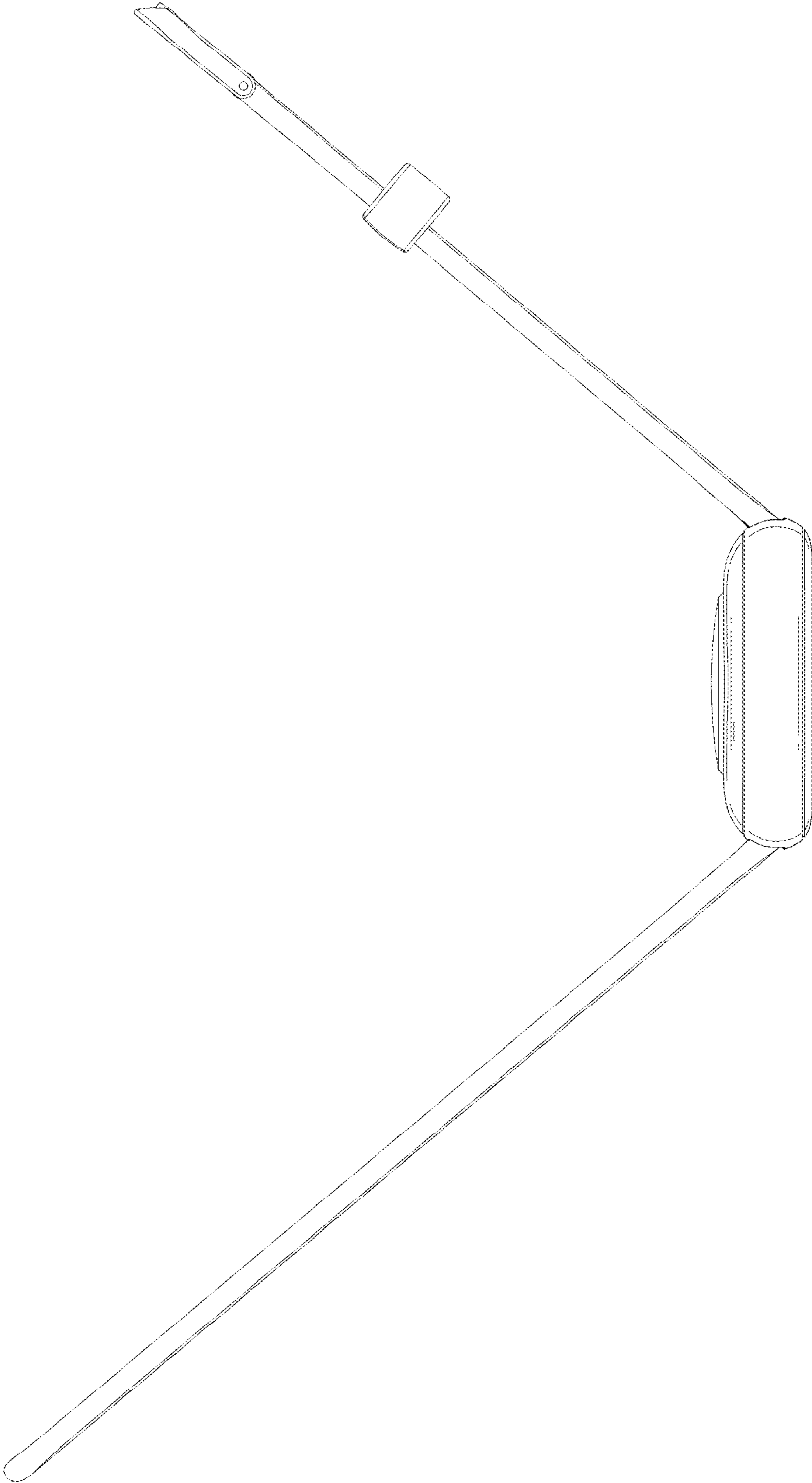


FIG. 7

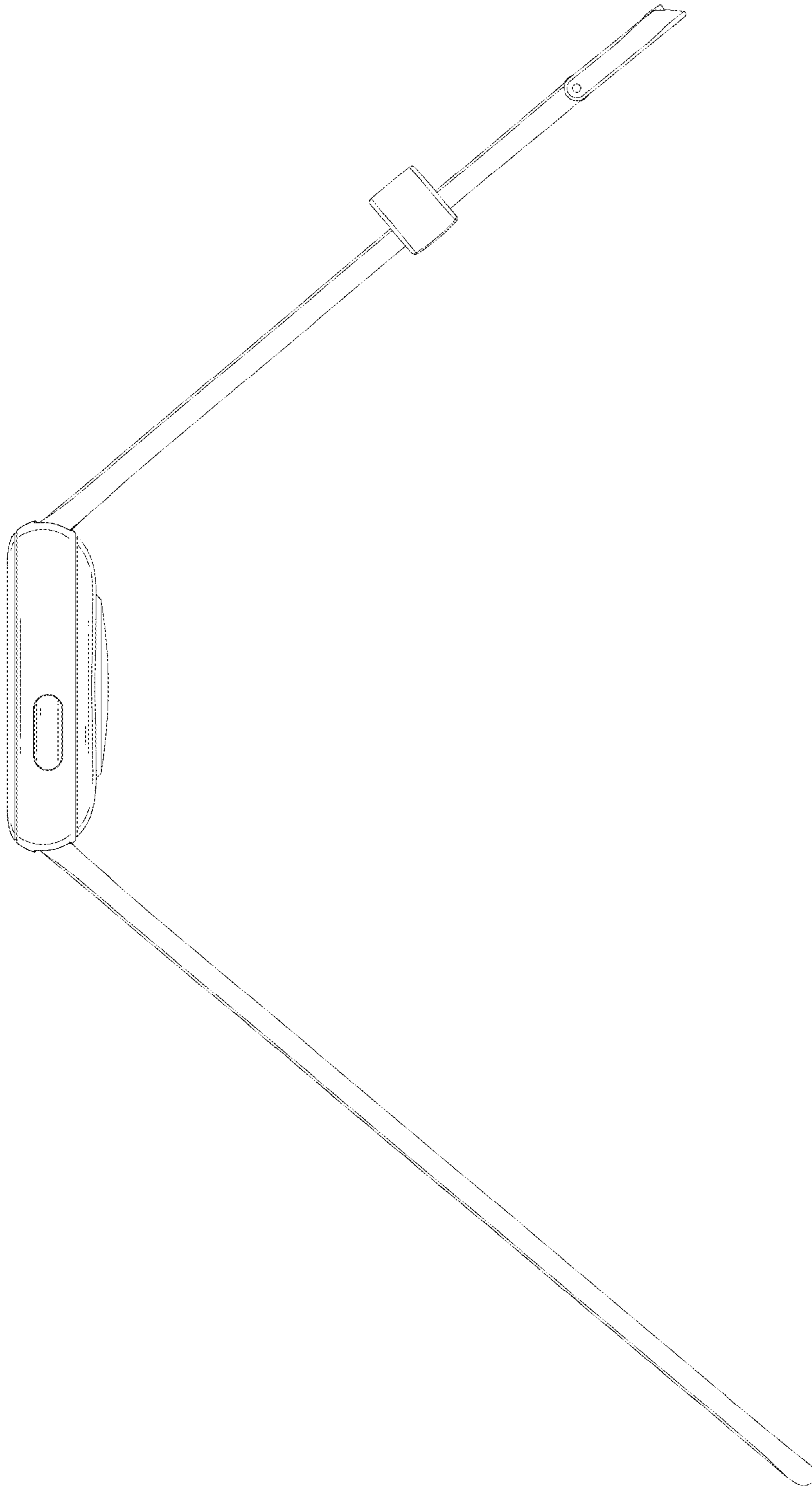


FIG. 8